

7250 TTV Agrottron ->WSXAD30200LD20010

Section: H0 - HYDRAULIC AND PNEUMATIC SYSTEM|

Ref: H0.09.23 (1)

AIR BRAKING SYSTEM - ITALY

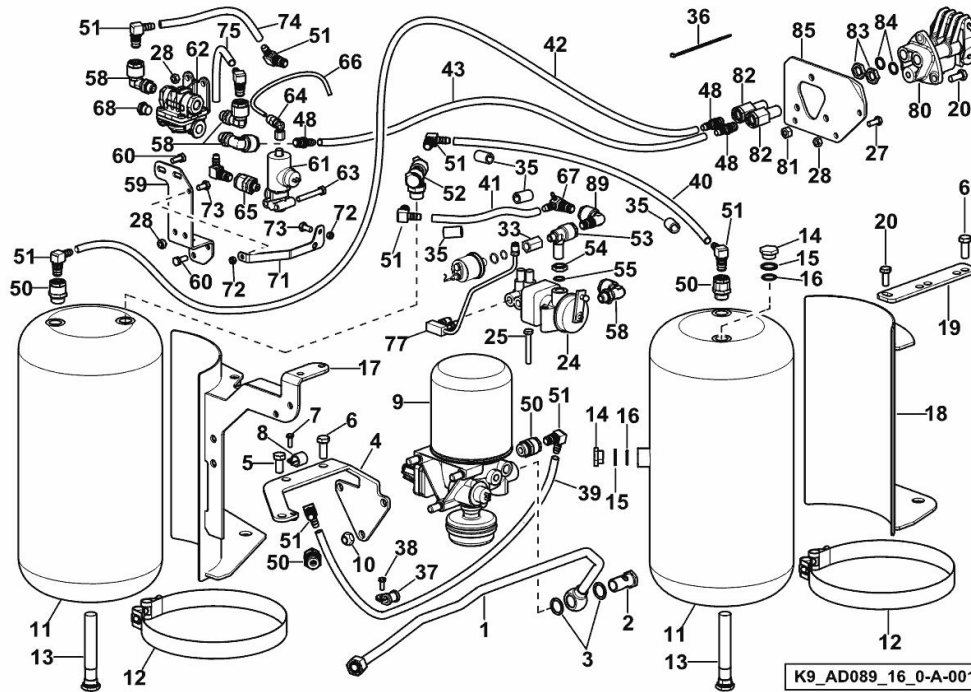


Fig.	P/n	QTY	Name
------	-----	-----	------

Notes:

- WITH FRONT AXLE WITH BRAKES [7250 TTV Agrottron ->WSXAD30200LD20010] 50021 <-

1	0.019.2104.3	1	tube
2	2.3335.009.2	1	pipe union m 22 p.1.5 x 39
3	2.1560.018.0	2	gasket 22.2 x 29
4	0.019.1865.3	1	bracket
5	2.0114.409.2	1	screw m 12 x 25
6	2.0112.411.2	4	screw m 12 p.1.75 x 30
7	2.0112.006.2	1	screw m 6 p.1 x 18
8	01179680	1	clamp A15X15
9	0.017.0166.4	1	filter ☞ 0.017.0166.4
10	2.1121.008.2	3	nut m 12
11	04401040	2	container 20 lt.
12	04361646	4	ring
13	04400757	2	valve
14	01118980	2	plug m 22 x 1.5
15	02523701	2	ring
16	02523700	2	ring
17	0.018.2903.3/30	1	bracket
18	0.019.1962.3	1	bracket
19	0.019.1956.0	1	bracket
20	2.0114.309.2	4	screw m 10 p 1.25 x 25
24	04419935	1	valve ☞ 04419935
25	2.0112.220.2	2	screw m 8 p.1.25x55
27	2.0112.207.2	3	screw m 8 p 1.25 x 20
28	2.1011.105.2	7	nut m 8 p.1.25
33	04400542	1	pipe fitting
35	02382224	4	sleeve 12
36	2.6852.101.0	10	clamp 142x3.6
37	2.6839.055.0	1	clamp Ø 11 / 20
38	2.0114.005.2	1	screw m 6 p.1.0 x 16
39	0.019.7532.0	0.73	flexible hose
40	0.019.7532.0	1.5	flexible hose
41	0.019.7532.0	0.37	flexible hose
42	0.019.7532.0	1.29	flexible hose
43	0.019.7532.0	1	flexible hose
48	2.3249.616.0	3	pipe fitting
50	2.3249.627.0	4	pipe fitting m 22
51	2.3249.619.0	10	connector L
52	2.3249.623.0	1	pipe fitting T
53	2.3249.620.0	1	pipe fitting

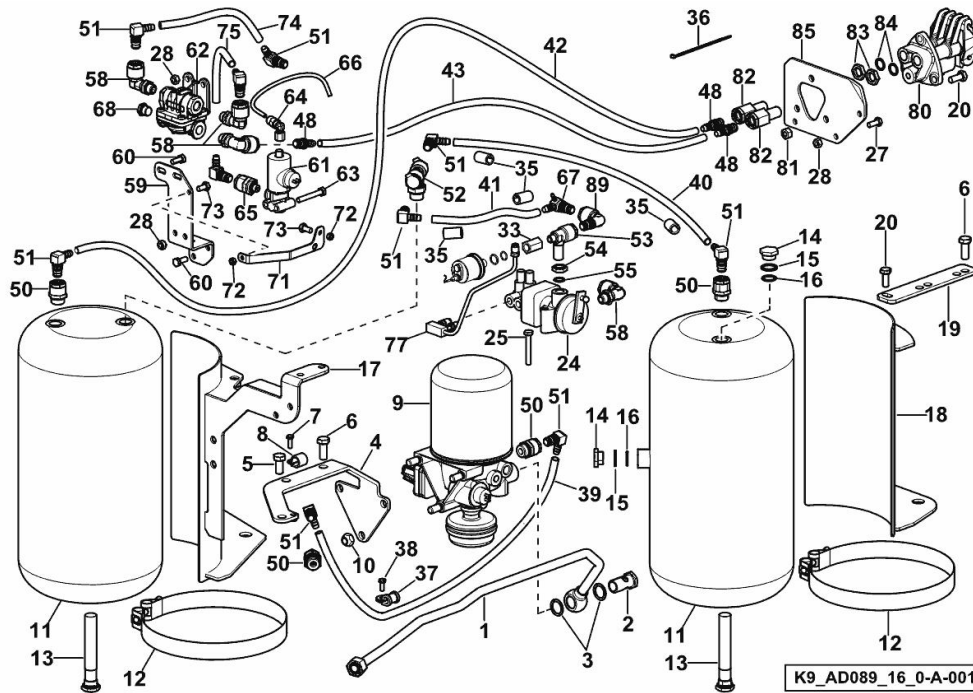
AIR BRAKING SYSTEM - ITALY

Fig.	P/n	QTY	Name
54	2.1019.179.2	1	special nut
55	2.1539.265.0	1	oil seal 14x2.5
58	2.3249.622.0	4	pipe fitting L
59	0.020.1654.0	1	bracket
60	2.0114.207.2	4	screw m 8 p.1.25 x 20
61	2.3729.015.0	1	valve
62	0.019.8598.4	1	valve
63	2.0114.218.2	2	screw m 8 x 55
64	04434830	1	pipe fitting
65	2.3249.668.0	1	pipe fitting m 12
66	0.019.7513.0	0.25	flexible hose
67	2.3249.708.0	1	pipe fitting
68	2.3249.666.0	1	plug
71	0.020.1890.0	1	bracket
72	2.1011.103.2	2	nut m 6 p.1
73	2.0114.205.2	2	screw m 8 p.1.25 x 16
74	0.019.7532.0	0.25	flexible hose
75	0.019.7532.0	0.2	flexible hose
77	0.020.2501.3	1	tube
80	0.010.4582.4	1	joint CUNA ☞ 0.010.4582.4
81	2.1011.106.2	3	nut m 10 p.1.5
82	2.3249.631.0	2	pipe fitting
83	2.1019.180.2	2	special nut m 18 p.1.5
84	2.1539.268.0	2	oil seal 16x2.5
85	0.016.5294.0/20	1	bracket
89	2.3249.707.0	1	pipe fitting L

7250 TTV Agrottron ->WSXAD30200LD20010

Section: H0 - HYDRAULIC AND PNEUMATIC SYSTEM]

Ref: H0.09.23 (2)

AIR BRAKING SYSTEM - ITALY

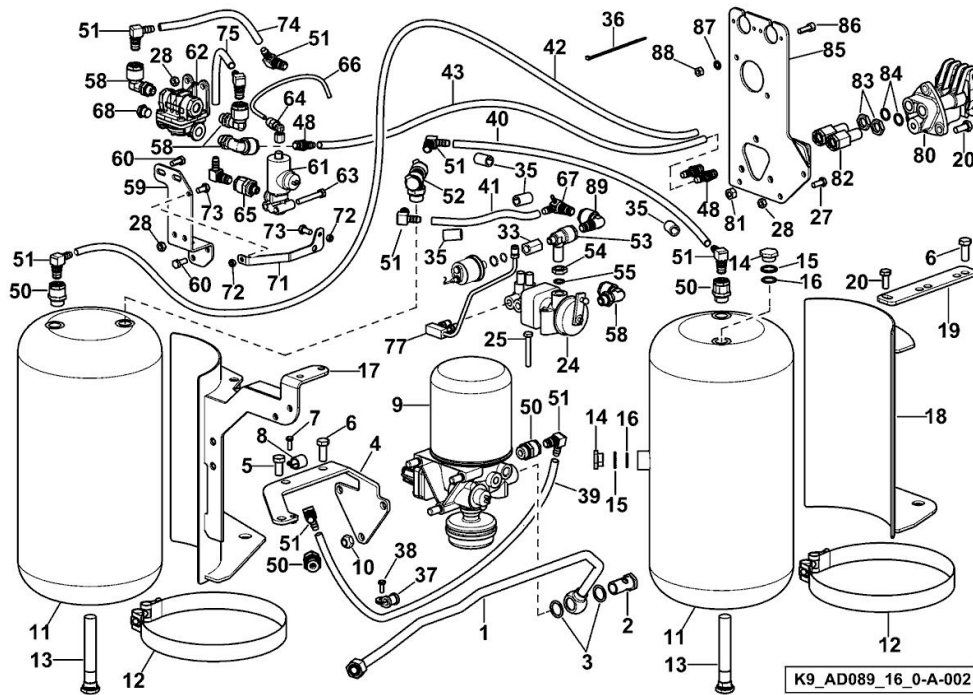


Fig.	P/n	QTY	Name
------	-----	-----	------

Notes:

- WITH FRONT AXLE WITH BRAKES [7250 TTV Agrottron ->WSXAD30200LD20010]

1	0.019.2104.3	1	tube
2	2.3335.009.2	1	pipe union m 22 p.1.5 x 39
3	2.1560.018.0	2	gasket 22.2 x 29
4	0.019.1865.3	1	bracket
5	2.0114.409.2	1	screw m 12 x 25
6	2.0112.411.2	4	screw m 12 p.1.75 x 30
7	2.0112.006.2	1	screw m 6 p.1 x 18
8	01179680	1	clamp A15X15
9	0.017.0166.4	1	filter ☞ 0.017.0166.4
10	2.1121.008.2	3	nut m 12
11	04401040	2	container 20 lt.
12	04361646	4	ring
13	04400757	2	valve
14	01118980	2	plug m 22 x 1.5
15	02523701	2	ring
16	02523700	2	ring
17	0.018.2903.3/30	1	bracket
18	0.019.1962.3	1	bracket
19	0.019.1956.0	1	bracket
20	2.0114.309.2	4	screw m 10 p 1.25 x 25
24	04419935	1	valve ☞ 04419935
25	2.0112.220.2	2	screw m 8 p.1.25x55
27	2.0112.207.2	3	screw m 8 p 1.25 x 20
28	2.1011.105.2	7	nut m 8 p.1.25
33	04400542	1	pipe fitting
35	02382224	4	sleeve 12
36	2.6852.101.0	10	clamp 142x3.6
37	2.6839.055.0	1	clamp Ø 11 / 20
38	2.0114.005.2	1	screw m 6 p.1.0 x 16
39	0.019.7532.0	0.73	flexible hose
40	0.019.7532.0	1.5	flexible hose
41	0.019.7532.0	0.37	flexible hose
42	0.019.7532.0	1.29	flexible hose
43	0.019.7532.0	1	flexible hose
48	2.3249.616.0	3	pipe fitting
50	2.3249.627.0	4	pipe fitting m 22
51	2.3249.619.0	10	connector L
52	2.3249.623.0	1	pipe fitting T
53	2.3249.620.0	1	pipe fitting

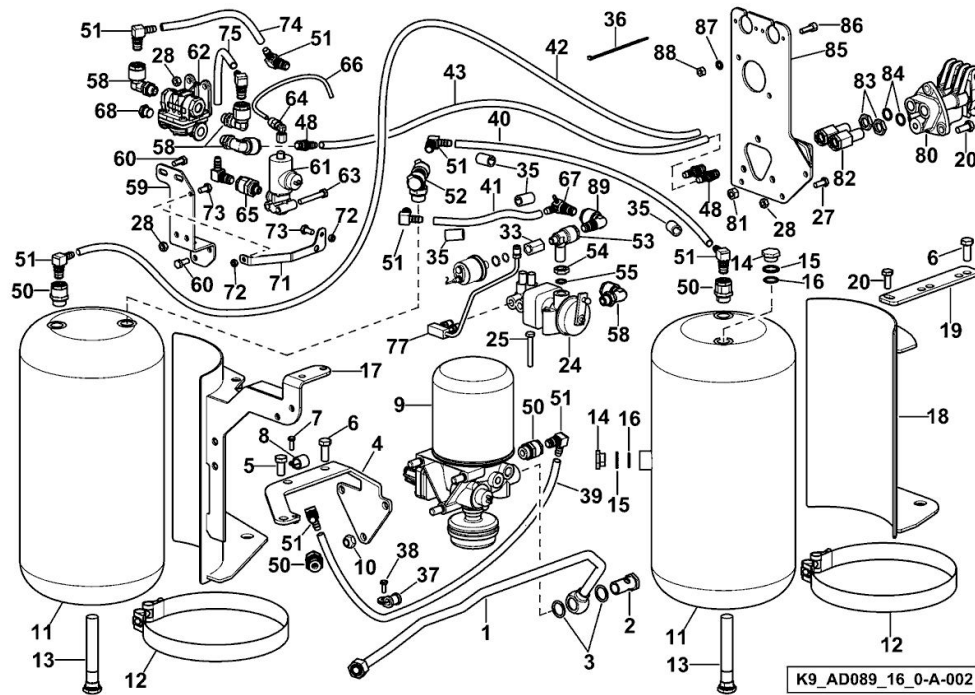
AIR BRAKING SYSTEM - ITALY

Fig.	P/n	QTY	Name
54	2.1019.179.2	1	special nut
55	2.1539.265.0	1	oil seal 14x2.5
58	2.3249.622.0	4	pipe fitting L
59	0.020.1654.0	1	bracket
60	2.0114.207.2	4	screw m 8 p.1.25 x 20
61	2.3729.015.0	1	valve
62	0.019.8598.4	1	valve
63	2.0114.218.2	2	screw m 8 x 55
64	04434830	1	pipe fitting
65	2.3249.668.0	1	pipe fitting m 12
66	0.019.7513.0	0.25	flexible hose
67	2.3249.708.0	1	pipe fitting
68	2.3249.666.0	1	plug
71	0.020.1890.0	1	bracket
72	2.1011.103.2	2	nut m 6 p.1
73	2.0114.205.2	2	screw m 8 p.1.25 x 16
74	0.019.7532.0	0.25	flexible hose
75	0.019.7532.0	0.2	flexible hose
77	0.020.2501.3/10	1	tube
80	0.010.4582.4	1	joint CUNA ☞ 0.010.4582.4
81	2.1011.106.2	3	nut m 10 p.1.5
82	2.3249.631.0	2	pipe fitting
83	2.1019.180.2	2	special nut m 18 p.1.5
84	2.1539.268.0	2	oil seal 16x2.5
85	0.016.5294.0/40	1	bracket
86	2.0312.208.2	2	screw m 8 p.1.25 x 25
87	2.1474.009.2	2	spring washer 8
88	2.1011.105.2	2	nut m 8 p.1.25
89	2.3249.707.0	1	pipe fitting L

7250 TTV Agrottron ->WSXAD30200LD20010

Section: H0 - HYDRAULIC AND PNEUMATIC SYSTEM|

Ref: H0.09.23 (3)

AIR BRAKING SYSTEM - ITALY

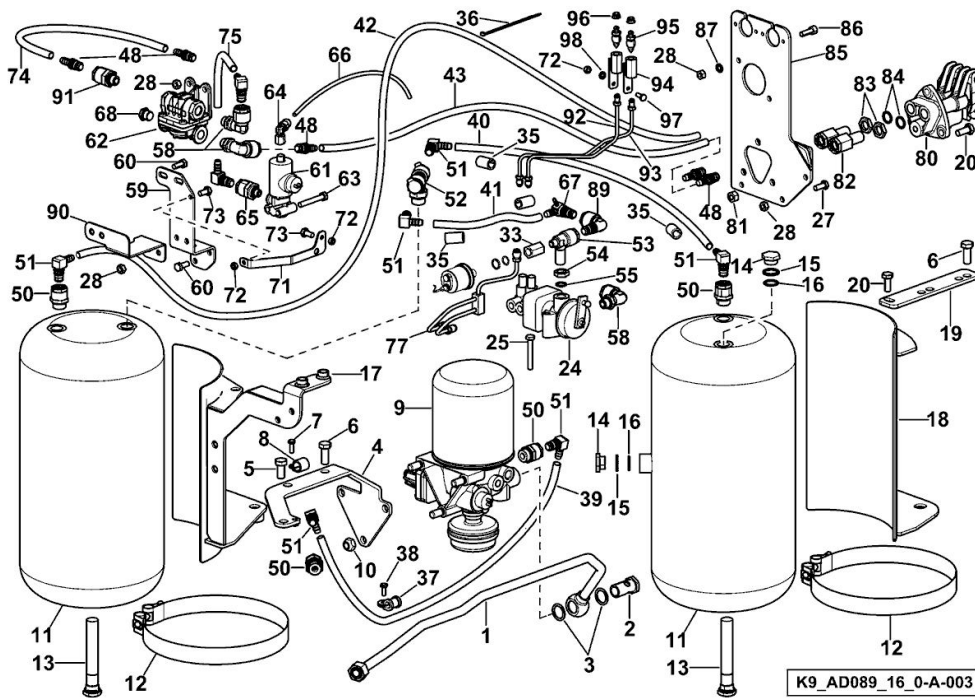


Fig.	P/n	QTY	Name
------	-----	-----	------

Notes:

- WITH FRONT AXLE WITH BRAKES [7250 TTV Agrottron ->WSXAD30200LD20010] -> 20173

1	0.019.2104.3	1	tube
2	2.3335.009.2	1	pipe union m 22 p.1.5 x 39
3	2.1560.018.0	2	gasket 22.2 x 29
4	0.019.1865.3	1	bracket
5	2.0114.409.2	1	screw m 12 x 25
6	2.0112.411.2	4	screw m 12 p.1.75 x 30
7	2.0112.006.2	1	screw m 6 p.1 x 18
8	01179680	1	clamp A15X15
9	0.017.0166.4	1	filter ☞ 0.017.0166.4
10	2.1121.008.2	3	nut m 12
11	04401040	2	container 20 lt.
12	04361646	4	ring
13	04400757	2	valve
14	01118980	2	plug m 22 x 1.5
15	02523701	2	ring
16	02523700	2	ring
17	0.018.2903.3/40	1	bracket
18	0.019.1962.3	1	bracket
19	0.019.1956.0	1	bracket
20	2.0114.309.2	4	screw m 10 p 1.25 x 25
24	04419935	1	valve ☞ 04419935
25	2.0112.222.2	2	screw m 8 p.1.25x65
27	2.0112.207.2	3	screw m 8 p 1.25 x 20
28	2.1011.105.2	9	nut m 8 p.1.25
33	04400542	1	pipe fitting
35	02382224	4	sleeve 12
36	2.6852.101.0	10	clamp 142x3.6
37	2.6839.055.0	1	clamp Ø 11 / 20
38	2.0114.005.2	1	screw m 6 p.1.0 x 16
39	0.019.7532.0	0.73	flexible hose
40	0.019.7532.0	1.5	flexible hose
41	0.019.7532.0	0.37	flexible hose
42	0.019.7532.0	1.29	flexible hose
43	0.019.7532.0	1	flexible hose
48	2.3249.616.0	5	pipe fitting
50	2.3249.627.0	4	pipe fitting m 22
51	2.3249.619.0	8	connector L
52	2.3249.623.0	1	pipe fitting T
53	2.3249.620.0	1	pipe fitting

7250 TTV Agrottron ->WSXAD30200LD20010

Section: H0 - HYDRAULIC AND PNEUMATIC SYSTEM|

Ref: H0.09.23 (3)

AIR BRAKING SYSTEM - ITALY

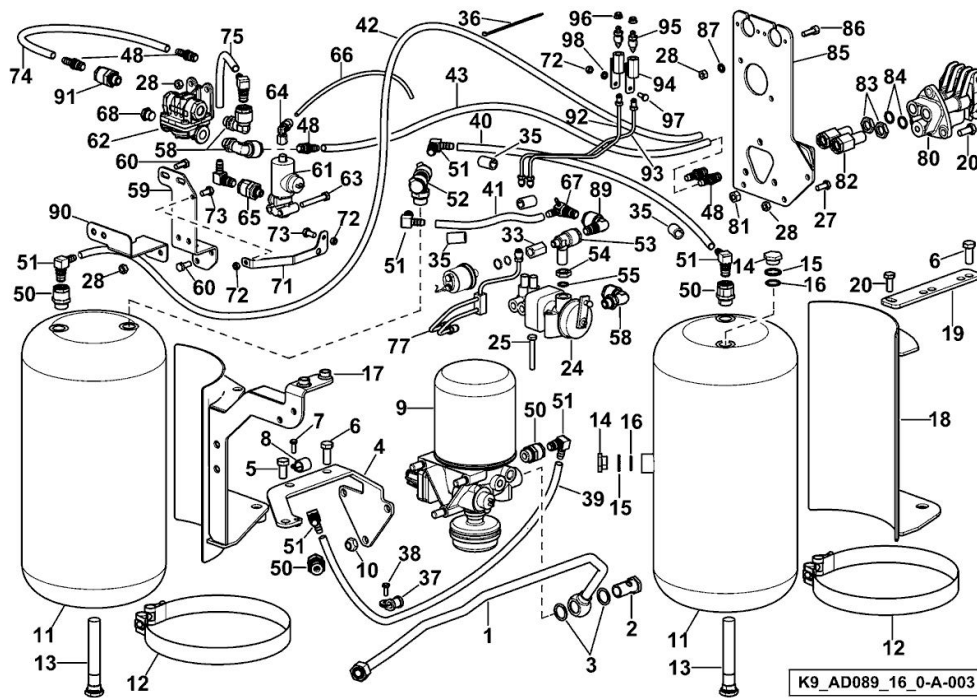


Fig.	P/n	QTY	Name
54	2.1019.179.2	1	special nut
55	2.1539.265.0	1	oil seal 14x2.5
58	2.3249.622.0	3	pipe fitting L
59	0.020.1654.0	1	bracket
60	2.0114.207.2	6	screw m 8 p.1.25 x 20
61	2.3729.015.0	1	valve
62	0.019.8598.4	1	valve
63	2.0114.218.2	2	screw m 8 x 55
64	04434830	1	pipe fitting
65	2.3249.668.0	1	pipe fitting m 12
66	0.019.7513.0	0.3	flexible hose
67	2.3249.708.0	1	pipe fitting
68	2.3249.666.0	1	plug
71	0.020.1890.0	1	bracket
72	2.1011.103.2	4	nut m 6 p.1
73	2.0114.205.2	2	screw m 8 p.1.25 x 16
74	0.019.7532.0	0.5	flexible hose
75	0.019.7532.0	0.2	flexible hose
77	0.020.2501.3/20	1	tube
80	0.010.4582.4	1	joint CUNA ☞ 0.010.4582.4
81	2.1011.106.2	3	nut m 10 p.1.5
82	2.3249.631.0	2	pipe fitting
83	2.1019.180.2	2	special nut m 18 p.1.5
84	2.1539.268.0	2	oil seal 16x2.5
85	0.016.5294.0/40	1	bracket
86	2.0312.208.2	2	screw m 8 p.1.25 x 25
87	2.1474.009.2	2	spring washer 8
89	2.3249.707.0	1	pipe fitting L
90	0.021.5436.3	1	bracket
91	2.3249.667.0	1	pipe fitting m 16
92	0.021.5609.3	1	tube
93	0.021.5611.3	1	tube
94	0.019.2223.3	2	small column
95	0.170.5455.0	2	valve
96	2.3199.039.0	2	plug
97	2.0112.005.2	2	screw m 6 p.1 x 16
98	2.1310.002.2	2	flat washer 6.4x12.5

7250 TTV Agrottron ->WSXAD30200LD20010

Section: H0 - HYDRAULIC AND PNEUMATIC SYSTEM]

Ref: H0.09.24 (1)

AIR BRAKING SYSTEM - ITALY

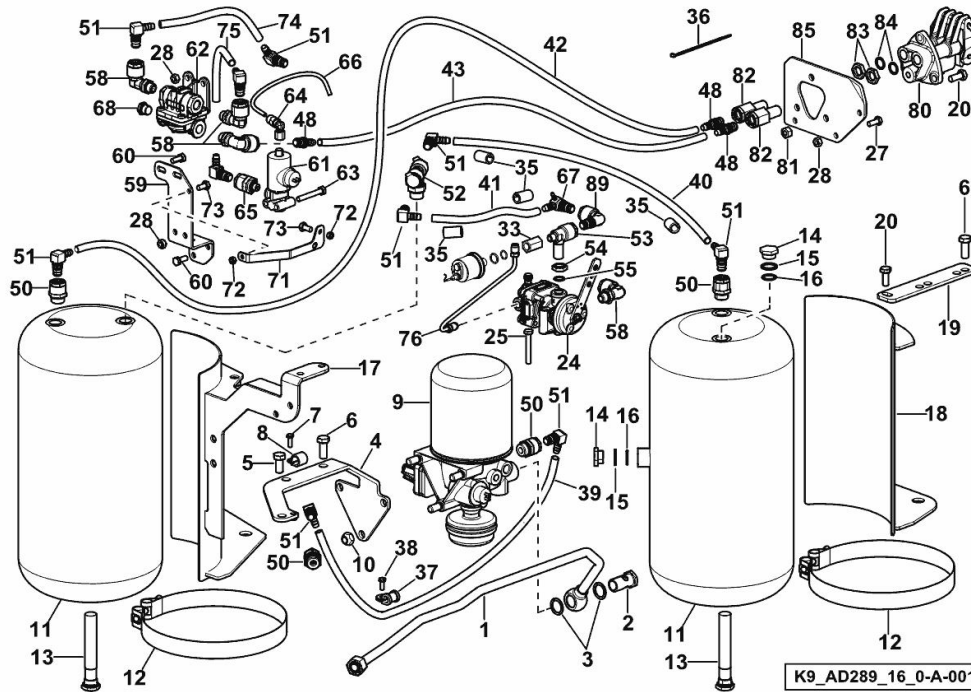


Fig.	P/n	QTY	Name
------	-----	-----	------

Notes:

- WITH FRONT AXLE WITHOUT BRAKES [7250 TTV Agrottron ->WSXAD30200LD20010]

1	0.019.2104.3	1	tube
2	2.3335.009.2	1	pipe union m 22 p.1.5 x 39
3	2.1560.018.0	2	gasket 22.2 x 29
4	0.019.1865.3	1	bracket
5	2.0114.409.2	1	screw m 12 x 25
6	2.0112.411.2	4	screw m 12 p.1.75 x 30
7	2.0112.006.2	1	screw m 6 p.1 x 18
8	01179680	1	clamp A15X15
9	0.017.0166.4	1	filter ☞ 0.017.0166.4
10	2.1121.008.2	3	nut m 12
11	04401040	2	container 20 lt.
12	04361646	4	ring
13	04400757	2	valve
14	01118980	2	plug m 22 x 1.5
15	02523701	2	ring
16	02523700	2	ring
17	0.018.2903.3/30	1	bracket
18	0.019.1962.3	1	bracket
19	0.019.1956.0	1	bracket
20	2.0114.309.2	4	screw m 10 p 1.25 x 25
24	0.019.7919.0	1	valve
25	2.0112.220.2	2	screw m 8 p.1.25x55
27	2.0112.207.2	3	screw m 8 p 1.25 x 20
28	2.1011.105.2	3	nut m 8 p.1.25
33	04400542	1	pipe fitting
35	02382224	4	sleeve 12
36	2.6852.101.0	10	clamp 142x3.6
37	2.6839.055.0	1	clamp Ø 11 / 20
38	2.0114.005.2	1	screw m 6 p.1.0 x 16
39	0.019.7532.0	0.73	flexible hose
40	0.019.7532.0	1.5	flexible hose
41	0.019.7532.0	0.37	flexible hose
42	0.019.7532.0	1.29	flexible hose
43	0.019.7532.0	1	flexible hose
48	2.3249.616.0	3	pipe fitting
50	2.3249.627.0	4	pipe fitting m 22
51	2.3249.619.0	10	connector L
52	2.3249.623.0	1	pipe fitting T
53	2.3249.620.0	1	pipe fitting
54	2.1019.179.2	1	special nut

Buy Now



Our support email:

ebooklibonline@outlook.com