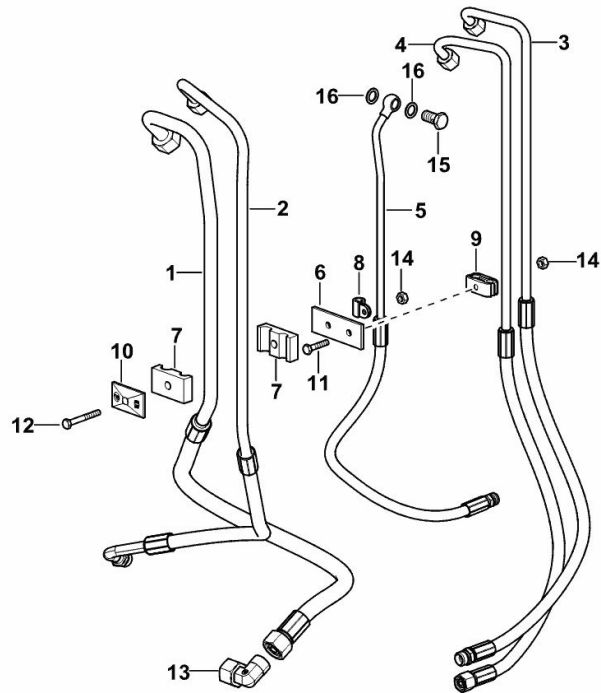


PIPES FOR HYDROSTATIC STEERING

| Fig. | P/n | QTY | Name |
|------|-----|-----|------|
|------|-----|-----|------|

Notes:

[7250 TTV Agrottron ->WSXV910400LD10010] -> 10022



K9_V8763_10_0-A-002

| | | | |
|----|-----------------|---|--------------------|
| 1 | 0.019.5863.3 | 1 | tube |
| 2 | 0.019.5894.3/10 | 1 | tube |
| 3 | 0.018.4732.3/10 | 1 | tube |
| 4 | 0.018.5711.3/10 | 1 | tube |
| 5 | 0.018.4721.3/10 | 1 | tube |
| 6 | 0.018.4737.0 | 1 | small plate |
| 7 | 01175671 | 2 | terminal 12-15 |
| 8 | 01175559 | 1 | fascia |
| 9 | 2.3321.007.0 | 1 | collar Ø10/10 |
| 10 | 01175670 | 1 | small plate |
| 11 | 2.0112.011.2 | 1 | screw m 6 p.1x30 |
| 12 | 2.0112.019.2 | 1 | screw m 6 p.1 x 50 |
| 13 | 01144817 | 1 | pipe fitting 90° |
| 14 | 2.1011.103.2 | 2 | nut m 6 p.1 |
| 15 | 01119240 | 1 | pipe union |
| 16 | 2.1560.008.0 | 2 | gasket 12.2 x 18 |

7250 TTV Agrottron ->WSXV910200LD10010

Section: H0 - HYDRAULIC AND PNEUMATIC SYSTEM|

Ref: H0.02.3 (1)

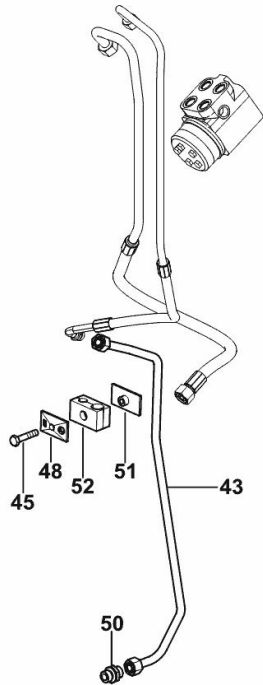
TUBO DE RETORNO DA DIRECÇÃO ASSISTIDA

| Fig. | P/n | QTY | Name |
|------|-----|-----|------|
|------|-----|-----|------|

Notes:

- FOR TYPES WITHOUT PNEUMATIC BRAKE [7250 TTV Agrottron ->WSXV910400LD10010]

| | | | |
|----|--------------|---|----------------------------|
| 43 | 0.019.5933.3 | 1 | tube |
| 45 | 2.0112.215.2 | 2 | screw m 8 p.1.25 x 40 |
| 48 | 01175670 | 1 | small plate |
| 50 | 01178350 | 1 | pipe fitting m 18 p.1.5x12 |
| 51 | 01180338 | 1 | small plate |
| 52 | 04454610 | 2 | terminal Ø 12/18 |



K9_V8763_04_0-D-001

7250 TTV Agrottron ->WSXV910200LD10010

Section: H0 - HYDRAULIC AND PNEUMATIC SYSTEM|

Ref: H0.02.4 (1)

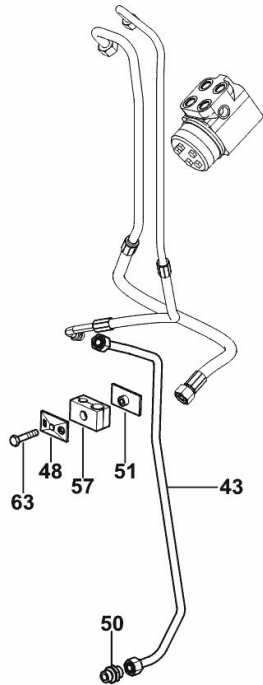
TUBO DE RETORNO DA DIRECÇÃO ASSISTIDA

| Fig. | P/n | QTY | Name |
|------|-----|-----|------|
|------|-----|-----|------|

Notes:

- FOR TYPES WITH PNEUMATIC BRAKE [7250 TTV Agrottron ->WSXV910400LD10010]

| | | | |
|----|--------------|---|----------------------------|
| 43 | 0.019.5933.3 | 1 | tube |
| 48 | 01175670 | 1 | small plate |
| 50 | 01178350 | 1 | pipe fitting m 18 p.1.5x12 |
| 51 | 01180338 | 1 | small plate |
| 57 | 04454610 | 2 | terminal Ø 12/18 |
| 63 | 2.0112.215.2 | 2 | screw m 8 p.1.25 x 40 |



K9_V8763_03_0-D-001

7250 TTV Agrottron ->WSXV910200LD10010

Section: H0 - HYDRAULIC AND PNEUMATIC SYSTEM]

Ref: H0.02.5 (1)

PIPES FOR HYDROSTATIC STEERING

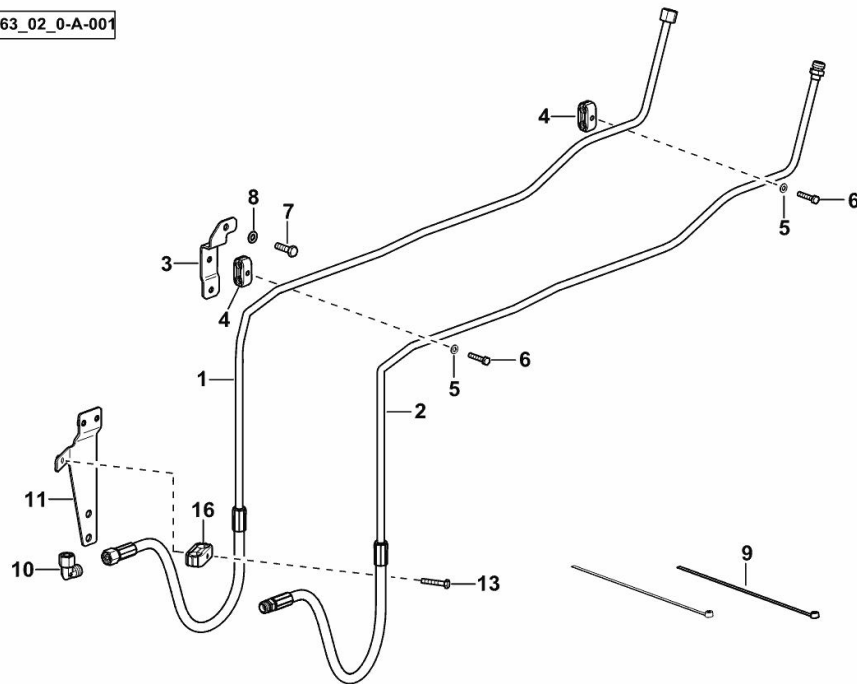
| Fig. | P/n | QTY | Name |
|------|-----|-----|------|
|------|-----|-----|------|

Notes:

[7250 TTV Agrottron ->WSXV910400LD10010] 10021 <-

| | | | |
|----|--------------|---|-----------------------|
| 1 | 0.018.5714.3 | 1 | tube dx/rh/re |
| 2 | 0.018.5715.3 | 1 | tube sx/lh/li |
| 3 | 0.016.0613.3 | 1 | support |
| 4 | 2.3321.007.0 | 2 | collar Ø10/10 |
| 5 | 2.1310.002.2 | 2 | flat washer 6.4x12.5 |
| 6 | 2.0112.011.2 | 2 | screw m 6 p.1x30 |
| 7 | 2.0112.210.2 | 1 | screw m 8 p.1.25 x 28 |
| 8 | 2.1310.004.2 | 1 | flat washer 8.4x17 |
| 9 | 2.6852.203.0 | 2 | clamp 292 x 4.8 |
| 10 | 01144816 | 1 | pipe fitting |
| 11 | 0.018.4105.3 | 1 | bracket |
| 13 | 2.0112.013.2 | 1 | screw m 6 p.1 x 35 |
| 16 | 2.3321.018.0 | 1 | collar Ø 15/15 |

K9_V8763_02_0-A-001



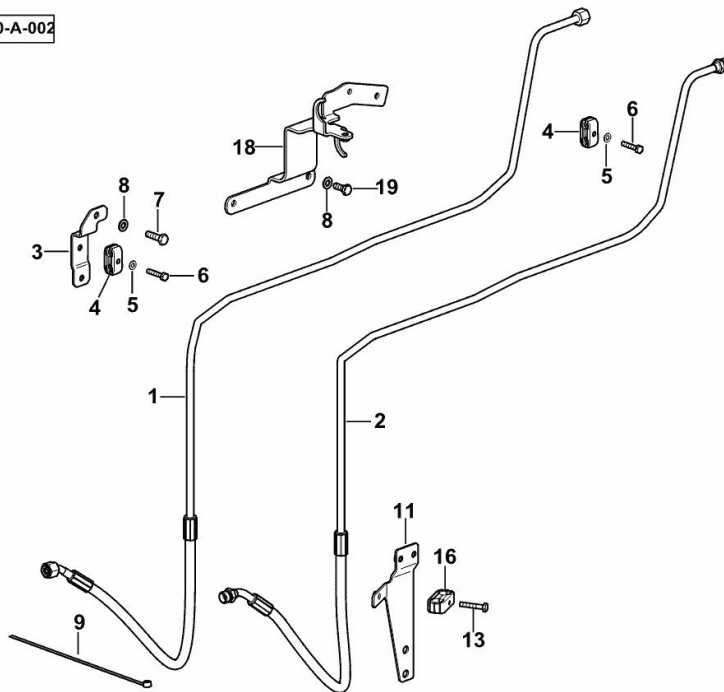
PIPES FOR HYDROSTATIC STEERING

| Fig. | P/n | QTY | Name |
|------|-----|-----|------|
|------|-----|-----|------|

Notes:

[7250 TTV Agrottron ->WSXV910400LD10010] -> 10023

K9_V8763_02_0-A-002



| | | | |
|----|--------------|---|-----------------------|
| 1 | 0.019.5325.3 | 1 | tube dx/rh/re |
| 2 | 0.019.5322.3 | 1 | tube sx/lh/li |
| 3 | 0.016.0613.3 | 1 | support |
| 4 | 2.3321.007.0 | 2 | collar Ø10/10 |
| 5 | 2.1310.002.2 | 2 | flat washer 6.4x12.5 |
| 6 | 2.0112.011.2 | 2 | screw m 6 p.1x30 |
| 7 | 2.0112.210.2 | 1 | screw m 8 p.1.25 x 28 |
| 8 | 2.1310.004.2 | 3 | flat washer 8.4x17 |
| 9 | 2.6852.203.0 | 2 | clamp 292 x 4.8 |
| 11 | 0.018.4105.3 | 1 | bracket |
| 13 | 2.0112.013.2 | 1 | screw m 6 p.1 x 35 |
| 16 | 2.3321.018.0 | 1 | collar Ø 15/15 |
| 18 | 0.019.5102.3 | 1 | bracket |
| 19 | 2.0114.207.2 | 2 | screw m 8 p.1.25 x 20 |

7250 TTV Agrottron ->WSXV910200LD10010

Section: H0 - HYDRAULIC AND PNEUMATIC SYSTEM|

Ref: H0.02.6 (1)

PIPES FOR HYDROSTATIC STEERING - AGROSKY SR10

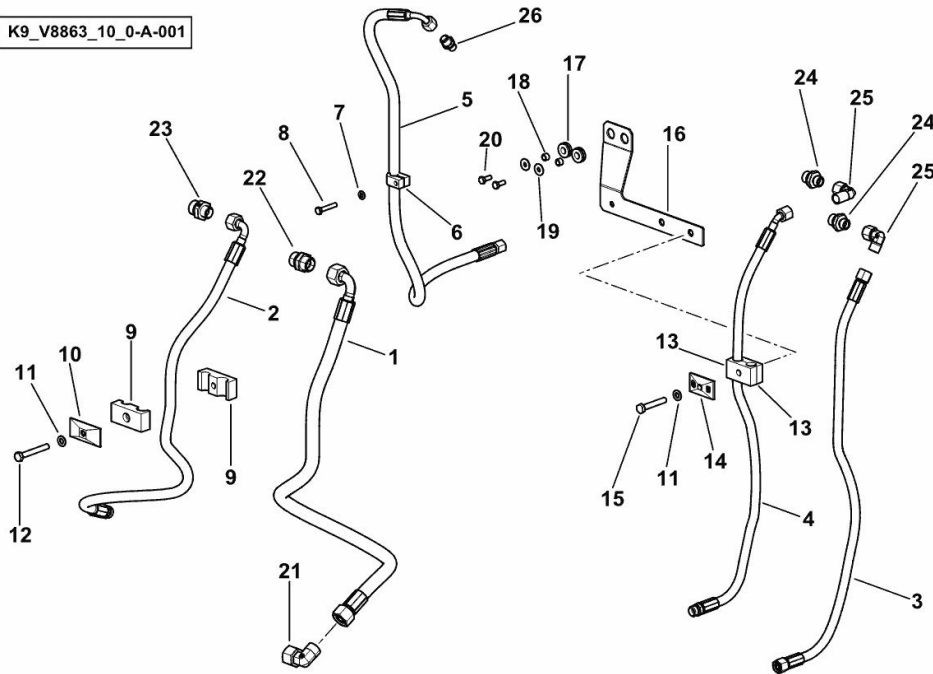
| Fig. | P/n | QTY | Name |
|------|-----|-----|------|
|------|-----|-----|------|

Notes:

- FOR TYPES WITH AGROSKY PS (PERFORMANCE STEERING) SYSTEM [7250 TTV Agrottron ->WSXV910400LD10010]

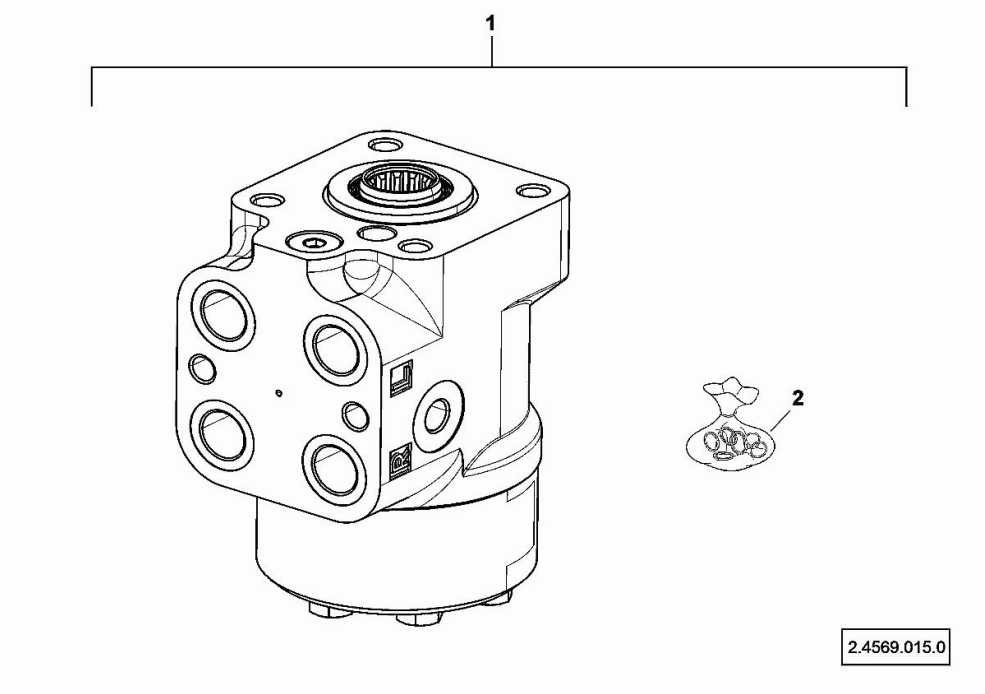
| | | | |
|----|--------------|---|----------------------------|
| 1 | 0.019.6812.3 | 1 | tube Ø 20.4 P |
| 2 | 0.019.6813.3 | 1 | tube Ø 15.5 T |
| 3 | 0.019.6816.3 | 1 | tube Ø 13.6 R |
| 4 | 0.019.6815.3 | 1 | tube Ø 13.6 L |
| 5 | 0.020.2611.3 | 1 | tube |
| 6 | 01141607 | 1 | clamp 12 |
| 7 | 2.1310.002.2 | 1 | flat washer 6.4x12.5 |
| 8 | 2.0112.013.2 | 1 | screw m 6 p.1 x 35 |
| 9 | 04455006 | 2 | terminal |
| 10 | 04454817 | 1 | small plate |
| 11 | 2.1310.004.2 | 2 | flat washer 8.4x17 |
| 12 | 2.0112.221.2 | 1 | screw m 8 p.1.25 x 60 |
| 13 | 01175727 | 2 | terminal |
| 14 | 01175670 | 1 | small plate |
| 15 | 2.0112.219.2 | 1 | screw m 8 p.1.25x55 |
| 16 | 0.019.8961.3 | 1 | bracket |
| 17 | 2.6560.004.0 | 2 | wire guide |
| 18 | 2.1549.598.2 | 2 | spacer 10x7x6.5 |
| 19 | 2.1312.003.2 | 2 | washer 6 |
| 20 | 2.0112.005.2 | 2 | screw m 6 p.1 x 16 |
| 21 | 01144817 | 1 | pipe fitting 90° |
| 22 | 01179203 | 1 | pipe fitting m 22 p.1.5x15 |
| 23 | 04453867 | 1 | pipe fitting |
| 24 | 01180560 | 2 | pipe fitting m 18 p.1.5x10 |
| 25 | 01144816 | 2 | pipe fitting |
| 26 | 01180557 | 1 | pipe fitting m 12 p.1.5x8 |

K9_V8863_10_0-A-001



HYDRAULIC STEERING GEAR

| Fig. | P/n | QTY | Name |
|------|--------------|-----|---|
| 1 | 2.4569.015.0 | 1 | power steering BOSCH LAGU 180/90-30/LDR-175M40-413S2 |
| 2 | 0.900.2099.1 | 1 | gasket set |



Buy Now



Our support email:

ebooklibonline@outlook.com