

**ENGINE**

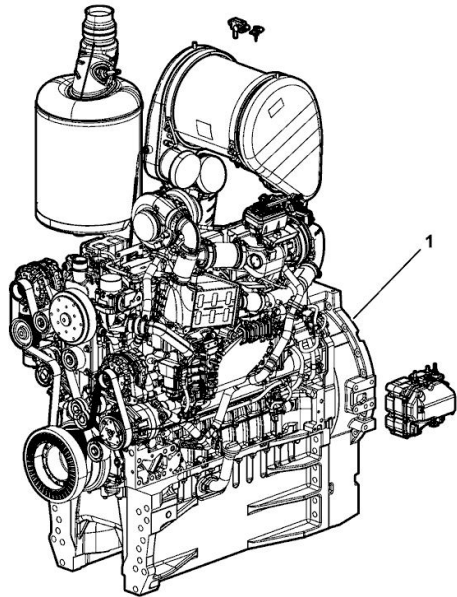
| Fig. | P/n | QTY | Name |
|------|-----|-----|------|
|------|-----|-----|------|

**Notes:**

ON ORDERING PLEASE ENGINE NO. REQUIRED [9290 TTV Agrottron -> WSXAD90200LD10001]

|   |          |   |   |
|---|----------|---|---|
| 1 | 25009998 | 1 | engine<br>ON ORDERING PLEASE<br>ENGINE NO. REQUIRED |
|---|----------|---|---|

K9\_IF119\_01\_0-A-001



**CONNECTING PIPE**

| Fig. | P/n | QTY | Name |
|------|-----|-----|------|
|------|-----|-----|------|

**Notes:**

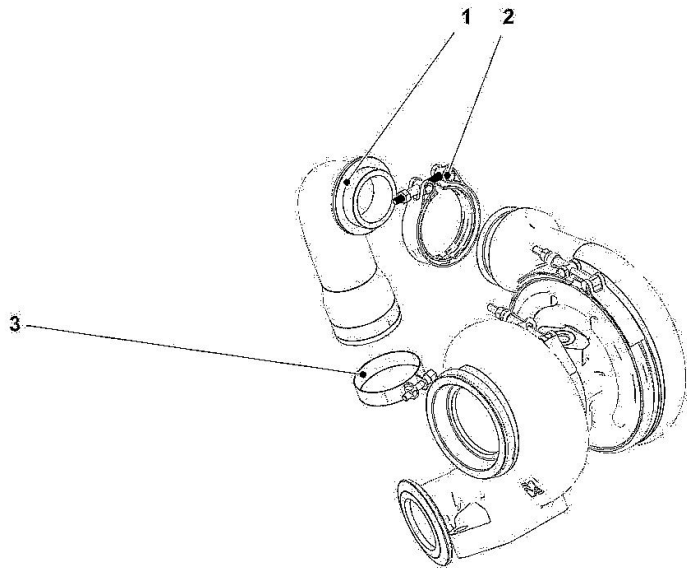
[9290 TTV Agrottron -> WSXAD90200LD10001]

**Engine serial number:**

22001145 22001178 22001202 22001228 22001229 22001230 22001245

000

|   |          |   |   |
|---|----------|---|---|
| 1 | 04914775 | 1 | tube                                      |
| 2 | 04914867 | 1 | fascia<br>7 Nm                            |
| 3 | 01166399 | 1 | fascia<br>4 Nm<br>DIN 3017 -B1-64X15-W1-2 |



**CONNECTING PIPE**

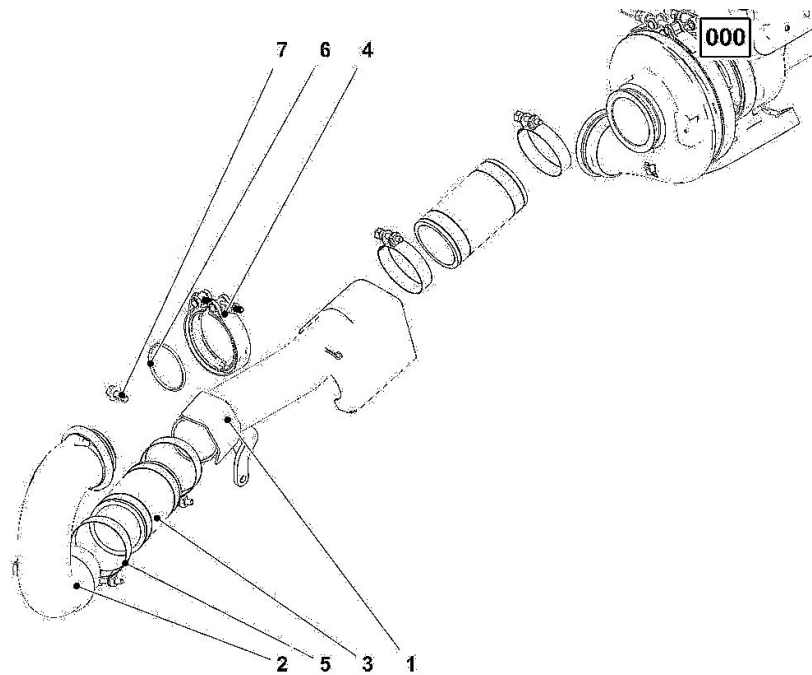
| Fig. | P/n | QTY | Name |
|------|-----|-----|------|
|------|-----|-----|------|

**Notes:**

[9290 TTV Agrottron -> WSXAD90200LD10001]

**Engine serial number:**

22000961



|   |          |   |  |
|---|----------|---|--|
| 1 | 04913512 | 1 | tube   |
| 2 | 04913518 | 1 | tube   |
| 3 | 04913510 | 2 | hub  |
| 4 | 01181509 | 1 | clamp<br>10 Nm   |
| 5 | 01166399 | 4 | fascia<br>4 Nm   |
| 6 | 01166079 | 1 | oil seal<br>DIN 3017 -B1-64X15-W1-2<br>H 2927 -50X3-NBR-1-60 |
| 7 | 01143384 | 1 | screw<br>30 Nm<br>EN 1662 -F-M8X16-LG2,5-10.9-A4C            |

**AIR COOLING**

| Fig. | P/n | QTY | Name |
|------|-----|-----|------|
|------|-----|-----|------|

**Notes:**

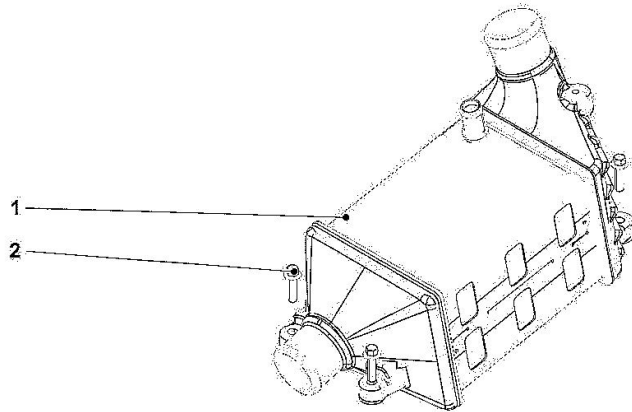
[9290 TTV Agrottron -> WSXAD90200LD10001]

**Engine serial number:**

11652183 11689407 11695834 11695835 11695836 11695837 11695838 11716795 11716796 11716797 11717996  
 11717997 11717998 11721471 11757727 22001178 22001202 22001228 22001229 22001230 22001245

000

|   |          |   |  |
|---|----------|---|--|
| 1 | 04914203 | 1 | turbo charger  |
| 2 | 01181432 | 4 | screw m8x30<br>30 Nm<br>EN 1662 -F-M8X30-10.9-ZNAL-A |



**OIL FILLER NECK**

| Fig. | P/n | QTY | Name |
|------|-----|-----|------|
|------|-----|-----|------|

**Notes:**

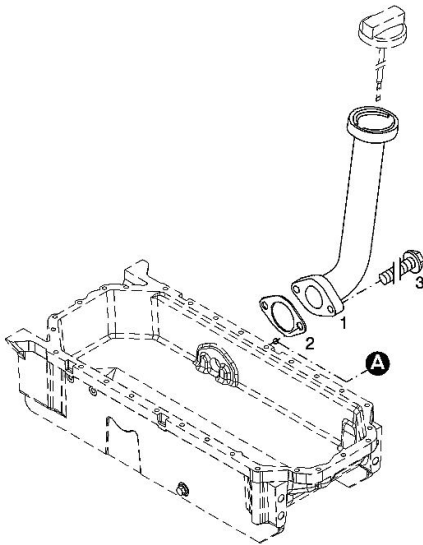
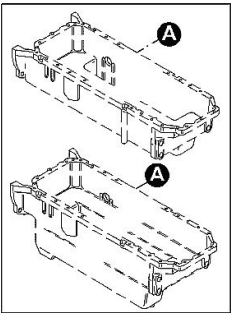
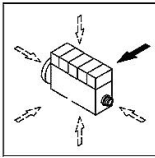
[9290 TTV Agrottron -> WSXAD90200LD10001]

**Engine serial number:**

11652183 11689407 11695834 11695835 11695836 11695837 11695838 11716795 11716796 11716797 11717996  
 11717997 11717998 11721471 11757727 22000961 22001145 22001178 22001202 22001228 22001229 22001230  
 22001245

|   |          |   |        |
|---|----------|---|--------|
| 1 | 04207099 | 1 | tube   |
| 2 | 01178421 | 1 | gasket |
| 3 | 01181433 | 2 | screw  |
|   |          |   | 30 Nm  |

001 ©



**CLOSING COMPONENTS**

| Fig. | P/n | QTY | Name |
|------|-----|-----|------|
|------|-----|-----|------|

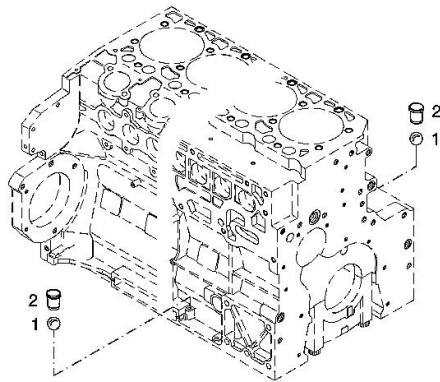
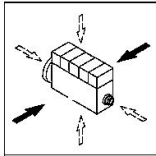
**Notes:**

[9290 TTV Agrottron -> WSXAD90200LD10001]

**Engine serial number:**

11652183 11689407 11695834 11695835 11695836 11695837 11695838 11716795 11716796 11716797 11717996  
 11717997 11717998 11721471 11757727 22000961 22001145 22001178 22001202 22001228 22001229 22001230  
 22001245

|   |          |   |      |
|---|----------|---|------|
| 1 | 01116965 | 2 | ball |
| 2 | 01183764 | 2 | plug |



**FASTENINGS**

| Fig. | P/n | QTY | Name |
|------|-----|-----|------|
|------|-----|-----|------|

**Notes:**

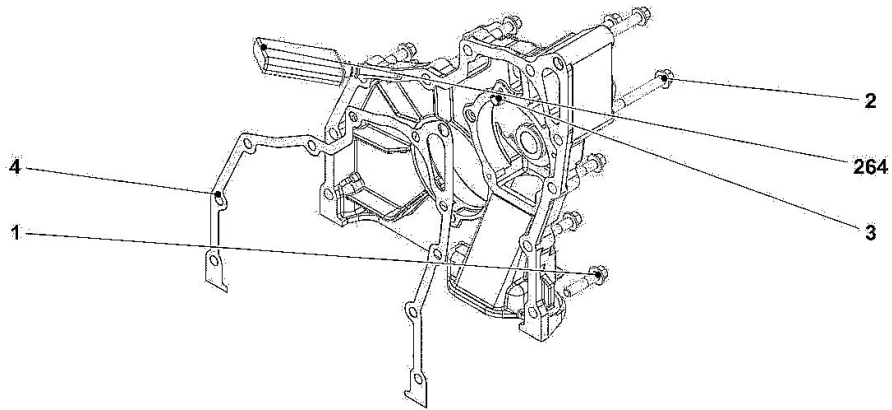
[9290 TTV Agrottron -> WSXAD90200LD10001]

**Engine serial number:**

11652183 11689407 11695834 11695835 11695836 11695837 11695838 11716795 11716796 11716797 11717996  
 11717997 11717998 11721471 11757727 22000961 22001145 22001178 22001202 22001228 22001229 22001230  
 22001245

004

|     |          |   |                  |
|-----|----------|---|------------------|
| 1   | 01143362 | 8 | screw            |
| 2   | 01180114 | 3 | screw            |
| 3   | 01181406 | 1 | bushing          |
| 4   | 04294952 | 1 | gasket           |
| 264 | 04297097 | 1 | sealing compound |



**Buy Now**



Our support email:

[ebooklibonline@outlook.com](mailto:ebooklibonline@outlook.com)