

FLYWHEEL

Fig.	P/n	QTY	Name
------	-----	-----	------

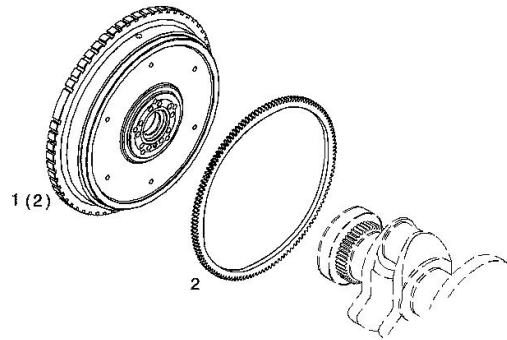
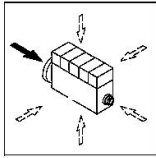
Notes:

[9310 TTV Agrottron -> WSXAE20200LD10001]

Engine serial number:

11652183 11689407 11695834 11695835 11695836 11695837 11695838 11716795 11716796 11716797 11717996
 11717997 11717998 11721471 11757727 22000961 22001145 22001178 22001202 22001228 22001229 22001230
 22001245

1	04908477	1	flywheel WITH POS.... (2)
2	04905390	1	crown wheel



FASTENINGS

Fig.	P/n	QTY	Name
------	-----	-----	------

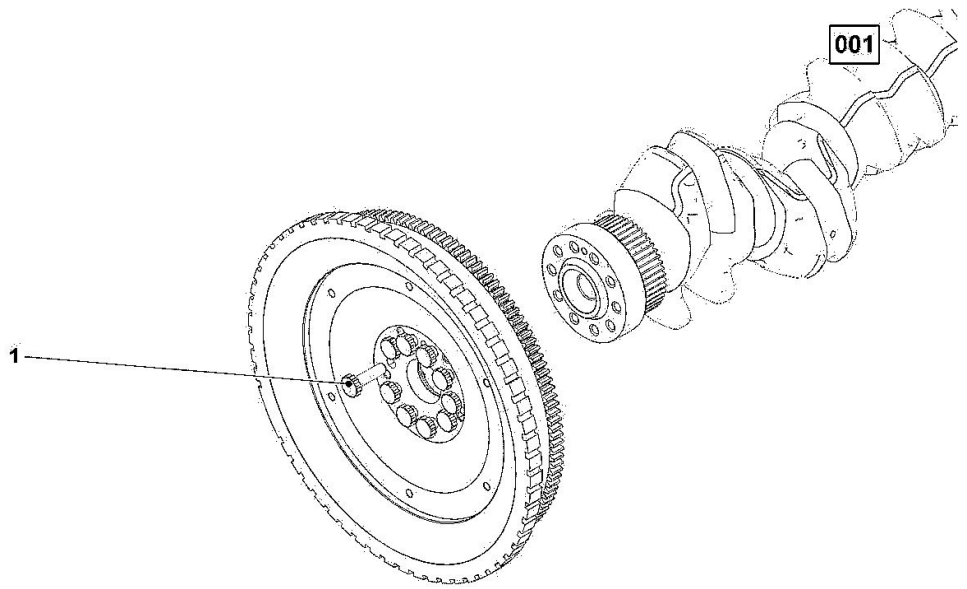
Notes:

[9310 TTV Agrottron -> WSXAE20200LD10001]

Engine serial number:

22000961

1	04907210	1	screw
---	----------	---	-------



FLYWHEEL

Fig.	P/n	QTY	Name
------	-----	-----	------

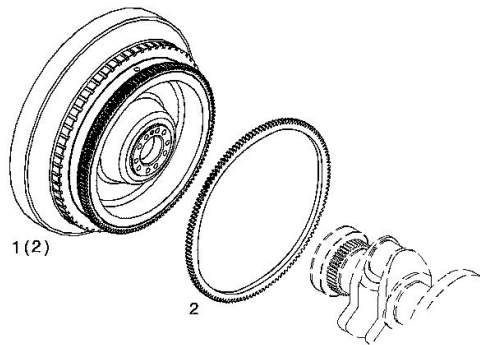
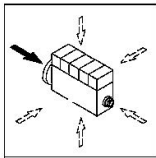
Notes:

[9310 TTV Agrottron -> WSXAE20200LD10001]

Engine serial number:

22000961

1	04908475	1	flywheel WITH POS.... (2)
2	04905390	1	crown wheel



FASTENINGS

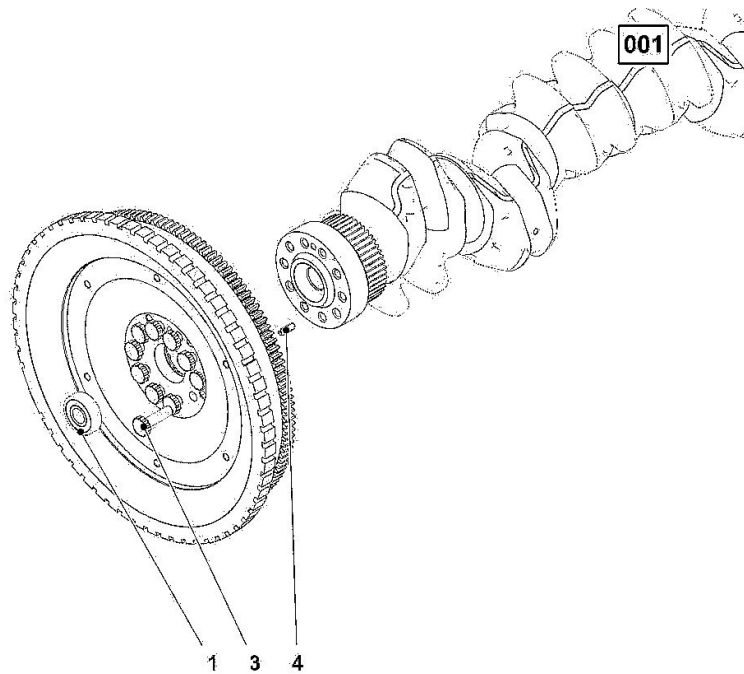
Fig.	P/n	QTY	Name
------	-----	-----	------

Notes:

[9310 TTV Agrottron -> WSXAE20200LD10001]

Engine serial number:

11652183 11689407 11695834 11695835 11695836 11695837 11695838 11716795 11716796 11716797 11717996
 11717997 11717998 11721471 11757727 22000961 22001145 22001178 22001202 22001228 22001229 22001230
 22001245



1	01136432	1	ball bearing
3	04907209	10	screw
4	01148645	1	pin

CRANKSHAFT

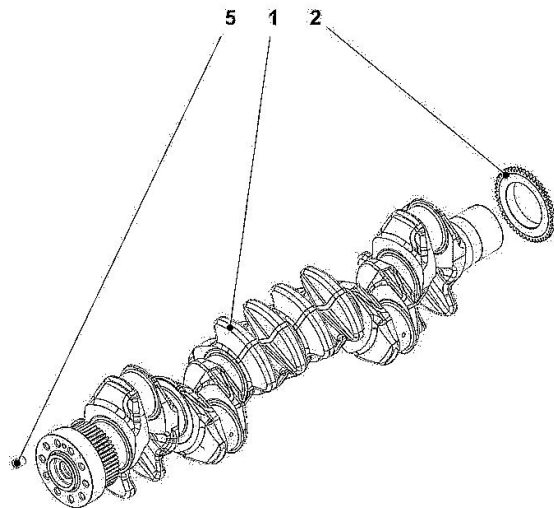
Fig.	P/n	QTY	Name
------	-----	-----	------

Notes:

[9310 TTV Agrottron -> WSXAE20200LD10001]

Engine serial number:

11652183 22000961 22001145 22001178 22001202 22001228 22001229 22001230 22001245



001

1	04909431	1	crankshaft WITH POS.... (2-5)
2	04902558	1	gear
5	01183226	1	grub screw

CRANKSHAFT

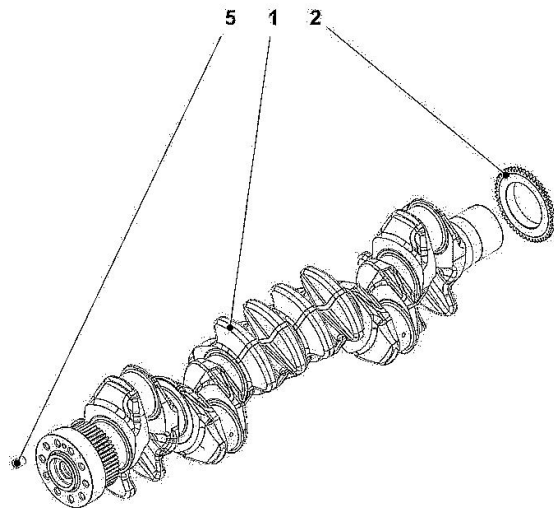
Fig.	P/n	QTY	Name
------	-----	-----	------

Notes:

[9310 TTV Agrottron -> WSXAE20200LD10001]

Engine serial number:

11689407 11695834 11695835 11695836 11695837 11695838 11716795 11716796 11716797 11717996 11717997
11717998 11721471 11757727



001

1	04914313	1	camshaft WITH POS.... (2,5)
2	04902558	1	gear
5	01183226	1	grub screw H 2358 -AM12X1,25X18

KEILR.SCHEIBENANB.

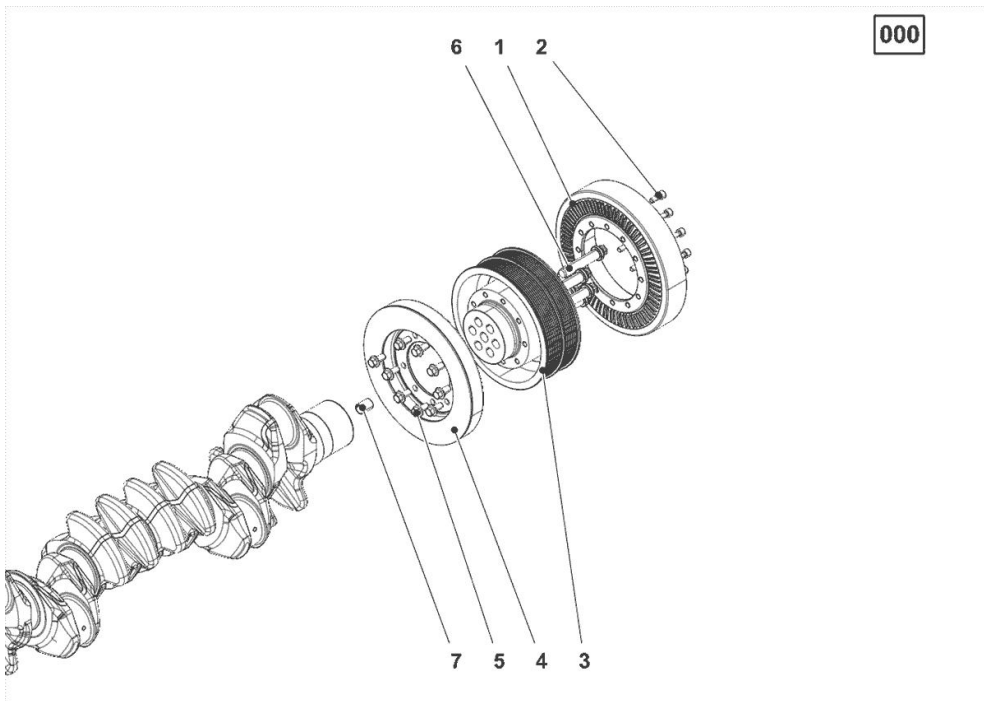
Fig.	P/n	QTY	Name
------	-----	-----	------

Notes:

[9310 TTV Agrottron -> WSXAE20200LD10001]

Engine serial number:

11652183 11689407 11695834 11695835 11695836 11695837 11695838 11716795 11716796 11716797 11717996
11717997 11717998 11721471 11757727 22001145 22001178 22001202 22001228 22001229 22001230 22001245



2	01110560	12	screw 30 Nm ISO 4762 -M8X20-10.9-OELGESCHW.
5	01148866	9	screw 60 Nm EN 1662 -F-M10X20-12.9-ZNAL-A
7	01181404	1	bush 30 Nm, 60°, 60° H 2341 -B18X24-FE/ZN12C*
6	04908053	6	screw
1	04909920	1	ring
4	04909962	1	plate
3	04914782	1	pulley

Buy Now



Our support email:

ebooklibonline@outlook.com