

CRANKCASE

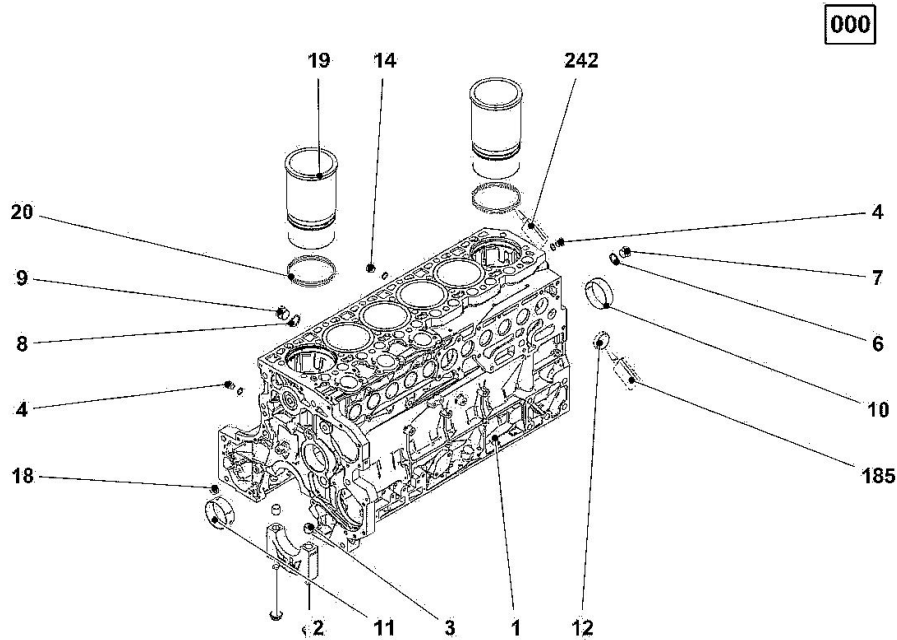
Fig.	P/n	QTY	Name
------	-----	-----	------

Notes:

[9340 TTV Agrottron -> WSXAE50200LD10001]

Engine serial number:

11652183 11689407 11695834 11695835 11695836 11695837 11695838 11716795 11716796 11716797 11717996
 11717997 11717998 11721471 11757727 22000961 22001145 22001178 22001202 22001228 22001229 22001230
 22001245



1	04914515	1	crankcase WITH POS.... 2-12,14,18-20
2	04257692	14	screw
3	04257514	14	spacer
4	01110423	2	screw 34 Nm DIN 908 -M14X1,5-ST-ZNPHRF
5	01148899	3	rubber plug DIN 7603 -D14X18-CU-VERZINNT
6	01148863	1	rubber plug DIN 7603 -D22X27-CU-VERZINNT
7	01124759	1	plug 80 Nm DIN 908 -M22X1,5-ST-A4C
8	01148892	1	oil seal DIN 7603 -D26X31-CU-VERZINNT*
9	01148158	1	plug 110 Nm DIN 908 -M26X1,5-ST-A4C
10	04257081	6	bushing
11	04911892	1	bushing
12	01148032	10	cover DIN 443 -A45-ZNPHR
14	01100940	1	screw 34 Nm DIN 7604 -AM14X1,5-ST-A4C
18	04226536	1	bottom 30 Nm
19	04912373	6	engine cylinder
20	01181178	2	special oil seal H 2927 -112X3,0-FPM-2-70
185	01319911	1	sealing compound ml. 50
242	01016105	2	sealing compound

SERIE GUARNIZIONI

Fig.	P/n	QTY	Name
------	-----	-----	------

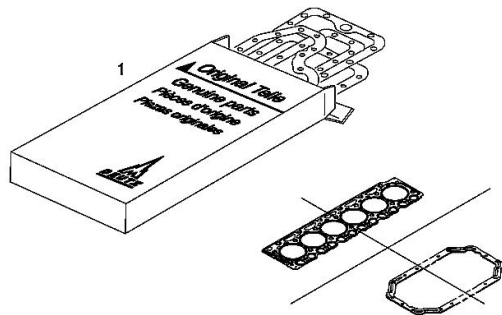
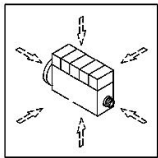
Notes:

[9340 TTV Agrottron -> WSXAE50200LD10001]

Engine serial number:

11652183 11689407 11695834 11695835 11695836 11695837 11695838 11716795 11716796 11716797 11717996
 11717997 11717998 11721471 11757727 22000961 22001145 22001178 22001202 22001228 22001229 22001230
 22001245

1	02937872	1	gasket set
---	----------	---	------------



FILLER CAP

Fig.	P/n	QTY	Name
------	-----	-----	------

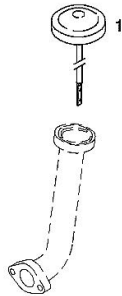
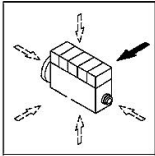
Notes:

[9340 TTV Agrottron -> WSXAE50200LD10001]

Engine serial number:

11652183 11689407 11695834 11695835 11695836 11695837 11695838 11716795 11716796 11716797 11717996
 11717997 11717998 11721471 11757727 22000961 22001145 22001178 22001202 22001228 22001229 22001230
 22001245

1	01182901	1	plug
---	----------	---	------



PLUG

Fig.	P/n	QTY	Name
------	-----	-----	------

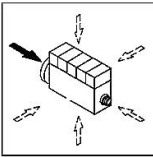
Notes:

[9340 TTV Agrottron -> WSXAE50200LD10001]

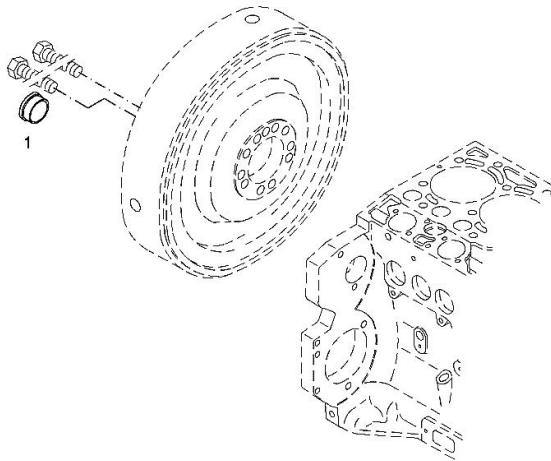
Engine serial number:

11689407 11695834 11695835 11695836 11695837 11695838 11716795 11716796 11716797 11717996 11717997
11717998 22001145 22001178 22001202 22001228 22001229 22001230 22001245

1	01175750	5	plug - UP TO MONTH OF ASSEMBLY (A) - FROM MONTH OF ASSEMBLY SEE POS. (B) 11/2006
950	01167313	5	plug - FROM MONTH OF ASSEMBLY SEE POS. (B) - UP TO MONTH OF ASSEMBLY (A) FROM MONTH OF ASSEMBLY 12/2006



000 ©



FLYWHEEL

Fig.	P/n	QTY	Name
------	-----	-----	------

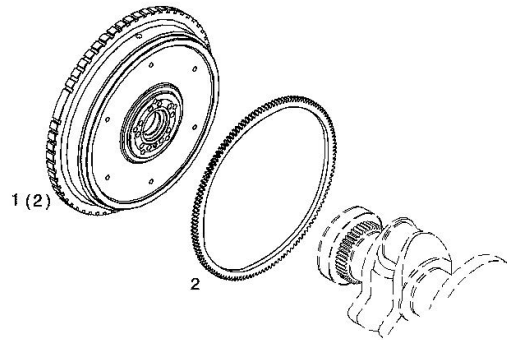
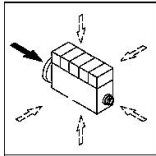
Notes:

[9340 TTV Agrottron -> WSXAE50200LD10001]

Engine serial number:

11652183 11689407 11695834 11695835 11695836 11695837 11695838 11716795 11716796 11716797 11717996
 11717997 11717998 11721471 11757727 22000961 22001145 22001178 22001202 22001228 22001229 22001230
 22001245

1	04908477	1	flywheel WITH POS.... (2)
2	04905390	1	crown wheel



FASTENINGS

Fig.	P/n	QTY	Name
------	-----	-----	------

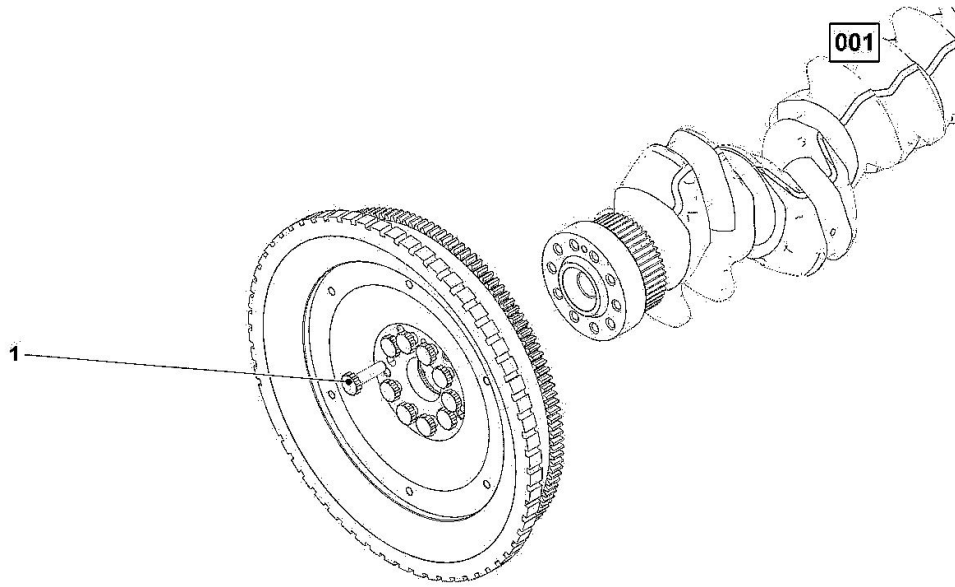
Notes:

[9340 TTV Agrottron -> WSXAE50200LD10001]

Engine serial number:

22000961

1	04907210	1	screw
---	----------	---	-------



FLYWHEEL

Fig.	P/n	QTY	Name
------	-----	-----	------

Notes:

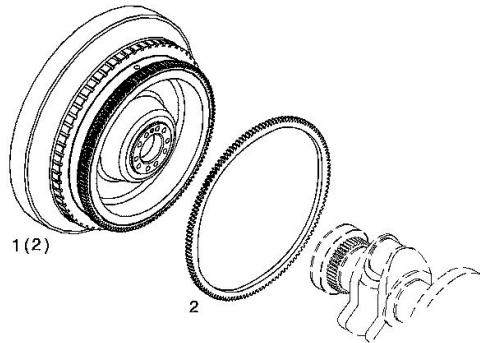
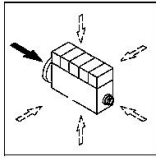
[9340 TTV Agrottron -> WSXAE50200LD10001]

Engine serial number:

22000961

1	04908475	1	flywheel WITH POS.... (2)
2	04905390	1	crown wheel

000 ©



Buy Now



Our support email:

ebooklibonline@outlook.com