

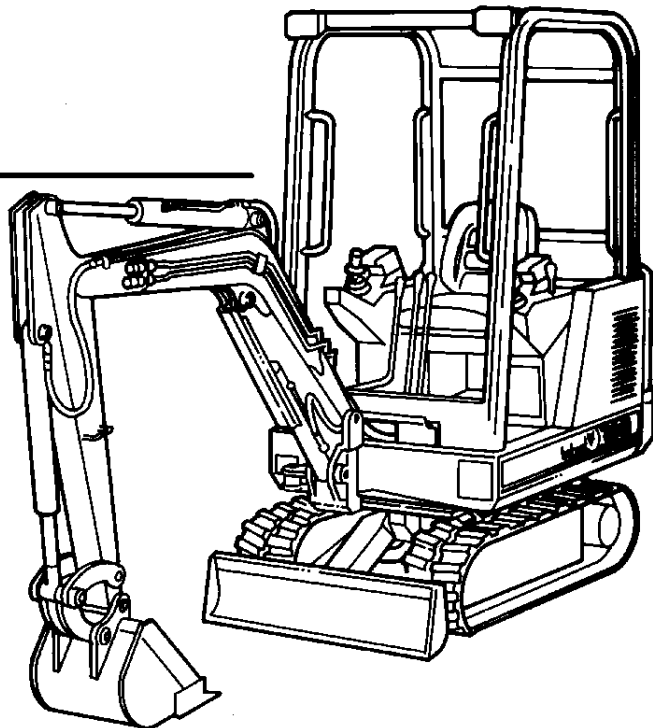
320



Bobcat®

Parts Manual

S/N 511720001 & Above



320 ALPHABETICAL INDEX

ACCUMULATOR	166	INJECTOR NOZZLES	262, 264
AIR CLEANER	236, 269	JOYSTICK . 94, 96, 100, 104, 108, 150, 154	
ALTERNATOR	228, 234	KEY	14, 16, 18, 224
ANTI-FREEZE	322	KIT, BELLY PAN	274
ARM	60	KIT, WORK LIGHT	320
ARM, WIPER	28	LAMP, WARNING	224
ARM	62	LATCH	24, 28, 36, 40
BEARING, ENGINE	250	LEVER, FUEL CONTROL	254, 256
BEARING, SWING	48	LEVER, TRAVEL	86
BELLY PAN KIT	274	LIGHT	26
BELT, ALTERNATOR & FAN	234	LIGHT, FLOOD	20
BLADE	72	LIGHT, SWITCH	224
BLADE LEVER	92	MANIFOLD	102
BLADE, WIPER	28	MANIFOLD, INTAKE & EXHAUST	259
BLOCK, DRAIN . 94, 96, 100, 104, 108, 112		MOTOR, HEATER	44
BOOM	66	MOTOR, SWING	134
BREAKER	300	MOTOR, TRAVEL	142, 158
BUCKETS	280	MOTOR, WIPER	28
CAB DOOR	40	MOUNT, BREAKER	302
CAB HARNESS	28	MUFFLER	234
CAB, ROPS	20	OIL COOLER	110
CAB	24	OIL FILTER, ENGINE	246
CABLE, BATTERY	224	OIL PAN	244
CABLE, SPEED CONTROL	236	OIL PUMP, ENGINE	248
CAMSHAFT	252	OIL	322
CAMSHAFT, FUEL	253	OPERATORS HANDBOOK KIT	308
CONSOLE, CONTROL	82, 84	PISTON, ENGINE	250
COUPLER, AUXILIARY	126	PUMP	236
COUPLER, DIAGNOSTIC	110	PUMP, HYDRAULIC	206
COVER, ENGINE	12	QUICK COUPLER	122, 126
CRANKSHAFT	250	RADIATOR	234
CYLINDER	128, 136	RECOIL SPRING	48, 52
CYLINDER HEAD	243	RESERVOIR, HYDRAULIC	144
CYLINDER, BOOM	214	ROLLER, TRACK	58
CYLINDER, ARM	60, 126, 208	SENSOR, FUEL LEVEL	272
CYLINDER, BLADE	134, 212	SIGHT GAUGE	144
CYLINDER, BOOM	126	SPRING, RECOIL	48, 52
CYLINDER, BOOM SWING ... 68, 218, 222		SWING BEARING	48
CYLINDER, BOOM	66	SWING MOTOR	134, 136
CYLINDER, GAS SPRING .. , 12, 30, 82, 84		SWING POST	66 68, 70
DAMPENER, VIBRATION	20	SWITCH, FAN	44, 46
DECALS	290, 293, 294, 295	SWITCH, IGNITION	224
DIPSTICK, ENGINE	244	SWITCH, JOYSTICK	150
DOMELIGHT	24	SWITCH, LIGHT	224
DOOR, CAB	40	SWITCH, MAGNETIC	224
DRIVE MOTOR	48	SWITCH, MICRO	224
ENGINE	236, 237	SWITCH, OIL PRESSURE	248
FAN, GUARD	234	SWITCH, WATER TEMP.	224
FILTER, ENGINE OIL	246	SWITCH, WIPER/WASHER	24
FILTER, FUEL	272	SWIVEL JOINT	134, 142, 148
FILTER, HYD. OIL	112	TANK HEATER	317, 318
FLYWHEEL	236	TANK, FUEL	272
FRAME, UPPERSTRUCTURE	12	TANK, HYDRAULIC	144
FRONT IDLER	56	THERMOSTAT	258
FRONT WINDOW	28	TOOTH, BUCKET	280
FUEL PUMP	260	TRACK	48
FUEL, GAUGE	224	TRACK ROLLER	48, 58
FUSE	224	U-JOINT	236
FUSE HOLDER	24	VALVE	198
GASKET KIT, ENGINE	266, 268	VALVE GUIDES	243
GAUGE, FUEL	224	VALVE, 3 SPOOL	170
GEAR PUMP	110, 206	VALVE, 6 SPOOL	176
HARNESS, CONSOLE	224	VALVES, INTAKE & EXHAUST	242
HARNESS, ENGINE	224	WATER PUMP	257
HEAD GASKET	243	WINDOW, FRONT	28
HEATER	20, 20, 44, 46	WIPER MOTOR	28
HEATER HOSES	20	WIPER/WASHER SWITCH	24
INJECTION PUMP	260	WORK LIGHT KIT	320

320 CONTENTS

MAIN FRAME	12-47
UPPERSTRUCTURE & ENGINE COVERS	12-15
UPPERSTRUCTURE & COUNTERWEIGHTS	16-17
OPERATOR CANOPY	18-19
CAB & MOUNTING	20-23
OPERATOR CAB	24-37
WINDOW ASSY	38-39
OPERATOR CAB (DOOR)	40-43
HEATER	44-47
UNDERCARRIAGE	48-63
UNDERCARRIAGE	48-51
RECOIL SPRING	52-55
FRONT IDLER	56-57
TRACK ROLLER	58-59
ARM	60-63
WORK EQUIPMENT	64-73
BOOM	64-67
SWING POST	68-71
BLADE	72-73
CONTROLS	74-93
CONTROL CONSOLE	74-85
TRAVEL/STEERING LEVERS	86-87
BOOM SWING & AUXILIARY PEDAL	88-91
BLADE CONTROLS	92-93
HYDRAULIC SYSTEM	94-235
HYDRAULIC CIRCUITRY	94-145
SWIVEL JOINT	146-149
R.H. JOYSTICK CONTROLS	150-153
L.H. JOYSTICK CONTROLS	154-157
TRAVEL MOTOR	158-165
JOYSTICK MANIFOLD	166-167
ACCUMULATOR VALVE	168-169
CONTROL VALVE ASSEMBLY (3 SPOOL)	170-171
OUTLET VALVE SECTION	172-173
VALVE SECTION (BLADE)	174-175
INLET VALVE SECTION (SWING MOTOR)	176-177
CHECK VALVE	178-179
CONTROL VALVE ASSEMBLY (6-SPOOL)	180-181
INLET VALVE SECTION (L.H. TRAVEL)	182-183
VALVE SECTION (ARM, BOOM & BUCKET)	184-185
VALVE SECTION (AUXILIARY)	186-187
INLET VALVE SECTION (R.H. TRAVEL)	188-189
CONTROL VALVE ASSY (3 SPOOL)	190-193
VALVE SECTION (BLADE & BOOM SWING)	194-195
VALVE SECTION (SWING MOTOR)	196-197
RELIEF VALVE (3 & 6 SPOOL)	198-199
CONTROL VALVE ASSY (6 SPOOL)	200-201
VALVE SECTION (R.H. TRAVEL & L.H. TRAVEL)	202-203
VALVE SECTION (AUXILIARY)	204-205
VALVE SECTION (BOOM, BUCKET & ARM)	206-207
RELIEF VALVE (6-SPOOL)	208-209
SWING MOTOR	210-213
BRAKE VALVE	214-215
COUNTER BALANCE VALVE	216-217
GEAR PUMP	218-219
ARM CYLINDER	220-223
BLADE CYLINDER	224-225
BOOM CYLINDER	226-229
BUCKET CYLINDER	230-233
SWING CYLINDER	234-235
ELECTRICAL SYSTEMS	236-245
ELECTRICAL SYSTEM	236-239
ALTERNATOR	240-241
STARTER	242-243
STARTER (SEALED)	244-245

320 CONTENTS (Cont'd)

POWER UNIT	246-299
RADIATOR, AIR CLEANER & MUFFLER MOUNTING	246-247
ENGINE, AIR CLEANER AND FLYWHEEL MOUNTING	248-249
ENGINE	250-251
ROCKER ARM COVER	252-253
ROCKER ARM & VALVES	254-255
CYLINDER HEAD	256-257
OIL PAN	258-259
GEARCASE	260-261
CRANKCASE	262-263
PISTON & CRANKSHAFT	264-265
MAIN BEARING CASE	266-267
CAMSHAFT	268-269
FUEL CAMSHAFT	270-271
STOP LEVER	272-273
GOVERNOR GROUP	274-275
SPEED CONTROL PLATE	276-277
WATER PUMP	278-279
WATER FLANGE & THERMOSTAT	280-281
MANIFOLDS	282-283
FUEL & INJECTION PUMP	284-285
INJECTION PUMP	286-287
INJECTOR NOZZLES	288-289
NOZZLE HOLDER	290-291
LOWER GASKET KIT	292-293
UPPER GASKET KIT	294-295
ENGINE AIR CLEANER	296-297
FUEL SYSTEM	298-299
ACCESSORIES	300-362
BELLY PAN KIT	303-304
BREAKER MOUNTING KIT	305-308
BUCKET	309-312
BUCKET TEETH	313-314
CAB DOOR KIT	315-316
CAB ENCLOSURE	317-318
CAB OR CANOPY (FOPS KIT)	319-320
CHARGE KIT	321-322
DECALS	323-332
FRONT WINDOW KIT	333-334
HYDRAULIC BREAKER	335-340
HYDRAULIC BREAKER TOOLS	341-342
ISO TO STANDARD CONTROLS	343-344
OPERATOR HAND BOOK KIT	345-346
RAINGUARD KIT	347-348
RIGHT HAND ENTRY KIT	349-350
SPECIAL APPLICATION KIT	351-354
TANK HEATER KIT	355-358
WORK LIGHT KIT	359-360
BULK ITEMS	361-362
NUMERICAL INDEX	363-408
NUMERICAL INDEX	363-408

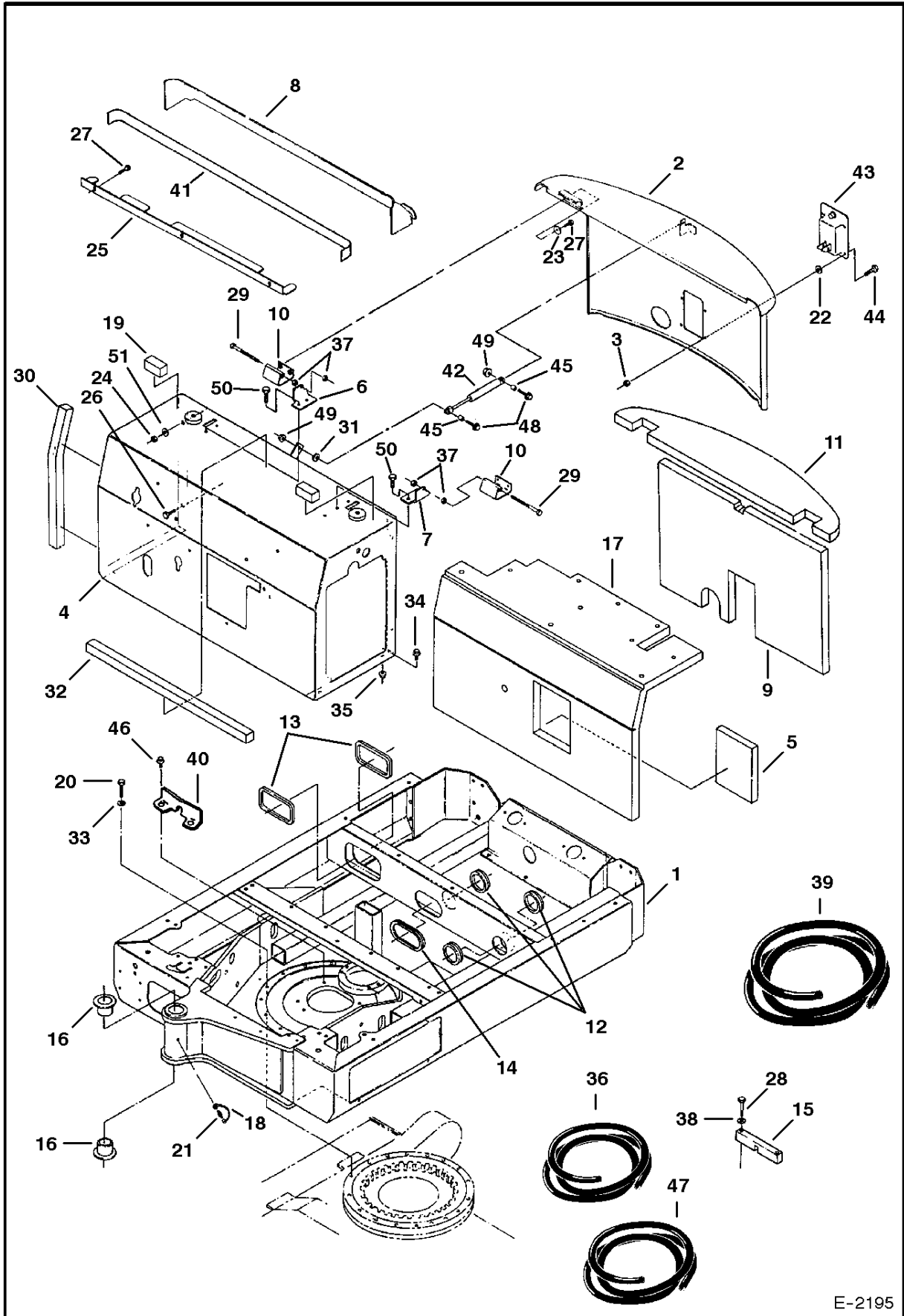
320 CONTENTS

MAIN FRAME	12-47
UPPERSTRUCTURE & ENGINE COVERS	12-15
UPPERSTRUCTURE & COUNTERWEIGHTS	16-17
OPERATOR CANOPY	18-19
CAB & MOUNTING	20-23
OPERATOR CAB	24-37
WINDOW ASSY	38-39
OPERATOR CAB (DOOR)	40-43
HEATER	44-47
UNDERCARRIAGE	48-63
UNDERCARRIAGE	48-51
RECOIL SPRING	52-55
FRONT IDLER	56-57
TRACK ROLLER	58-59
ARM	60-63
WORK EQUIPMENT	64-73
BOOM	64-67
SWING POST	68-71
BLADE	72-73
CONTROLS	74-93
CONTROL CONSOLE	74-85
TRAVEL/STEERING LEVERS	86-87
BOOM SWING & AUXILIARY PEDAL	88-91
BLADE CONTROLS	92-93
HYDRAULIC SYSTEM	94-235
HYDRAULIC CIRCUITRY	94-145
SWIVEL JOINT	146-149
R.H. JOYSTICK CONTROLS	150-153
L.H. JOYSTICK CONTROLS	154-157
TRAVEL MOTOR	158-165
JOYSTICK MANIFOLD	166-167
ACCUMULATOR VALVE	168-169
CONTROL VALVE ASSEMBLY (3 SPOOL)	170-171
OUTLET VALVE SECTION	172-173
VALVE SECTION (BLADE)	174-175
INLET VALVE SECTION (SWING MOTOR)	176-177
CHECK VALVE	178-179
CONTROL VALVE ASSEMBLY (6-SPOOL)	180-181
INLET VALVE SECTION (L.H. TRAVEL)	182-183
VALVE SECTION (ARM, BOOM & BUCKET)	184-185
VALVE SECTION (AUXILIARY)	186-187
INLET VALVE SECTION (R.H. TRAVEL)	188-189
CONTROL VALVE ASSY (3 SPOOL)	190-193
VALVE SECTION (BLADE & BOOM SWING)	194-195
VALVE SECTION (SWING MOTOR)	196-197
RELIEF VALVE (3 & 6 SPOOL)	198-199
CONTROL VALVE ASSY (6 SPOOL)	200-201
VALVE SECTION (R.H. TRAVEL & L.H. TRAVEL)	202-203
VALVE SECTION (AUXILIARY)	204-205
VALVE SECTION (BOOM, BUCKET & ARM)	206-207
RELIEF VALVE (6-SPOOL)	208-209
SWING MOTOR	210-213
BRAKE VALVE	214-215
COUNTER BALANCE VALVE	216-217
GEAR PUMP	218-219
ARM CYLINDER	220-223
BLADE CYLINDER	224-225
BOOM CYLINDER	226-229
BUCKET CYLINDER	230-233
SWING CYLINDER	234-235
ELECTRICAL SYSTEMS	236-245
ELECTRICAL SYSTEM	236-239
ALTERNATOR	240-241
STARTER	242-243
STARTER (SEALED)	244-245

320 CONTENTS (Cont'd)

POWER UNIT	246-299
RADIATOR, AIR CLEANER & MUFFLER MOUNTING	246-247
ENGINE, AIR CLEANER AND FLYWHEEL MOUNTING	248-249
ENGINE	250-251
ROCKER ARM COVER	252-253
ROCKER ARM & VALVES	254-255
CYLINDER HEAD	256-257
OIL PAN	258-259
GEARCASE	260-261
CRANKCASE	262-263
PISTON & CRANKSHAFT	264-265
MAIN BEARING CASE	266-267
CAMSHAFT	268-269
FUEL CAMSHAFT	270-271
STOP LEVER	272-273
GOVERNOR GROUP	274-275
SPEED CONTROL PLATE	276-277
WATER PUMP	278-279
WATER FLANGE & THERMOSTAT	280-281
MANIFOLDS	282-283
FUEL & INJECTION PUMP	284-285
INJECTION PUMP	286-287
INJECTOR NOZZLES	288-289
NOZZLE HOLDER	290-291
LOWER GASKET KIT	292-293
UPPER GASKET KIT	294-295
ENGINE AIR CLEANER	296-297
FUEL SYSTEM	298-299
ACCESSORIES	300-362
BELLY PAN KIT	303-304
BREAKER MOUNTING KIT	305-308
BUCKET	309-312
BUCKET TEETH	313-314
CAB DOOR KIT	315-316
CAB ENCLOSURE	317-318
CAB OR CANOPY (FOPS KIT)	319-320
CHARGE KIT	321-322
DECALS	323-332
FRONT WINDOW KIT	333-334
HYDRAULIC BREAKER	335-340
HYDRAULIC BREAKER TOOLS	341-342
ISO TO STANDARD CONTROLS	343-344
OPERATOR HAND BOOK KIT	345-346
RAINGUARD KIT	347-348
RIGHT HAND ENTRY KIT	349-350
SPECIAL APPLICATION KIT	351-354
TANK HEATER KIT	355-358
WORK LIGHT KIT	359-360
BULK ITEMS	361-362
NUMERICAL INDEX	363-408
NUMERICAL INDEX	363-408

UPPERSTRUCTURE & ENGINE COVERS



E-2195

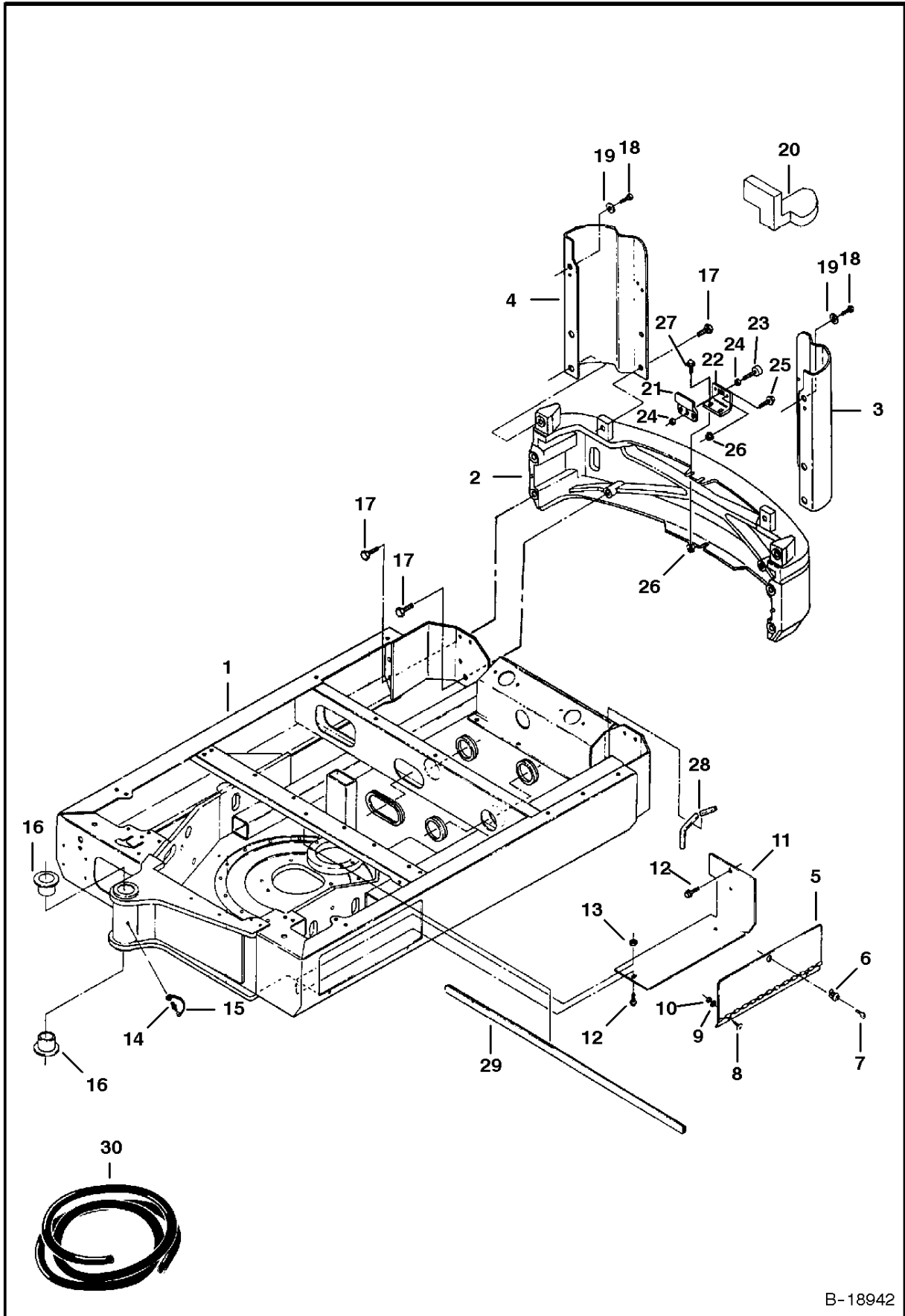
UPPERSTRUCTURE & ENGINE COVERS

Ref.N°	Part N°	Description	Remarks	Serial N°	Qty.
1	6587936	FRAME	Upperstructure	20001 - 21411	1
1	6589989	FRAME	Upperstructure	21412 & Above	1
2	6587891	COVER	Engine rear		1
3	49DM-10	NUT			4
4	6589936	COVER	Engine Front - Was 6589029 [A]		1
5	6588339	INSULATION			1
6	6589033	ANGLE	R.H.		1
7	6589032	ANGLE(L.H.081<com38-}H~10{M	L.H.		1
8	6588070	COVER(0818com3KB}H~10{M			1
9	6588340	INSULATION			1
10	6588133	HINGE			2
11	6588341	INSULATION(081>com3H>}H~10{M			1
12	6533975	GROMMET			3
13	NAP	MOULDING	18'(457mm) long - Order Ref. UPPERSTRUCTURE & ENGINE COVERS(36)		2
14	NAP	MOULDING	12'(305mm) long - Order Ref. UPPERSTRUCTURE & ENGINE COVERS(36)		1
15	6538801	STOP	Swivel Joint - used W/Swivel Joint 6658956	20001-20661	1
16	6539897	BUSHING			2
17	6588342	INSULATION			1
18	6652943	COVER, GREASE	Grease Fitting		1
19	NAP	SEAL	3" (76mm) long-Order Ref.UPPERSTRUCTURE & ENGINE COVERS(39)		1
20	10CM-1045	SCREW			16
21	10H-25	GREASE ZERK			1
22	15EM-60	WASHER			4
23	17EM-80	WASHER			4
24	39DM-12	NUT			2
25	6588648	SUPPORT(081;com3;}H~10{M			1
26	1CM-1630	BOLT			2
27	26GM-8016	SCREW	Was 1CM-820 [B]		7
28	1CM-845	BOLT			2
29	1CM-890	BOLT			2
30	NAP	SEAL	20" (508mm)long-Order Ref. UPPERSTRUCTURE & ENGINE COVERS(39)		2
31	1EM-80	WASHER	Not used on later models		1
32	NAP	SEAL	28" (711mm) long-Order Ref. UPPERSTRUCTURE & ENGINE COVERS(39)		2
33	27E-6	WASHER			16
34	29CM-1020	BOLT			4
35	42DM-10	NUT			4
36	6620417	MOULDING(Bulk - Sold Per Foot08x}com3E9}H~10{M	Bulk - Sold Per Foot		x
37	1DM-8	NUT			4
38	6EM-80	WASHER			2
39	6554274	INSULATION	Bulk - Sold Per Foot		x
40	6588243	BRACKET(Swivel Joint081Gcom3F;}H~10{M	Swivel Joint-used W/Swivel Joint 6664409	20662 & Above	1
41	NAP	TAPE	Double Backed-for attaching Ref. UPPERSTRUCTURE & ENGINE COVERS(8) to the cab/canopy- 48"(1220mm)long-Order Ref. UPPERSTRUCT		1
42	6662989	CYLINDER(Gas Spring081Fpro1Page	Gas Spring		1
43	6663972	LATCH			1

UPPERSTRUCTURE & ENGINE COVERS

Ref.N°	Part N°	Description	Remarks	Serial N°	Qty.
43	6587458	KEY SET	Incl. W/Ref. UPPERSTRUCTURE & ENGINE COVERS (43)		1
44	6587499	SCREW	Used on Early Models		4
44	6589675	SCREW	Used on Later Models		4
45	6588293	BUSHING			2
46	29CM-820	BOLT			4
47	6900669	TAPE	Bulk - Sold Per Foot - Was 6665212 [A]		x
48	29CM-830	SCREW			2
49	42DM-8	NUT			2
50	26GM-10020	SCREW			4
51	1EM-120	WASHER(082:com3 pO)H~10{M			2

UPPERSTRUCTURE & COUNTERWEIGHTS

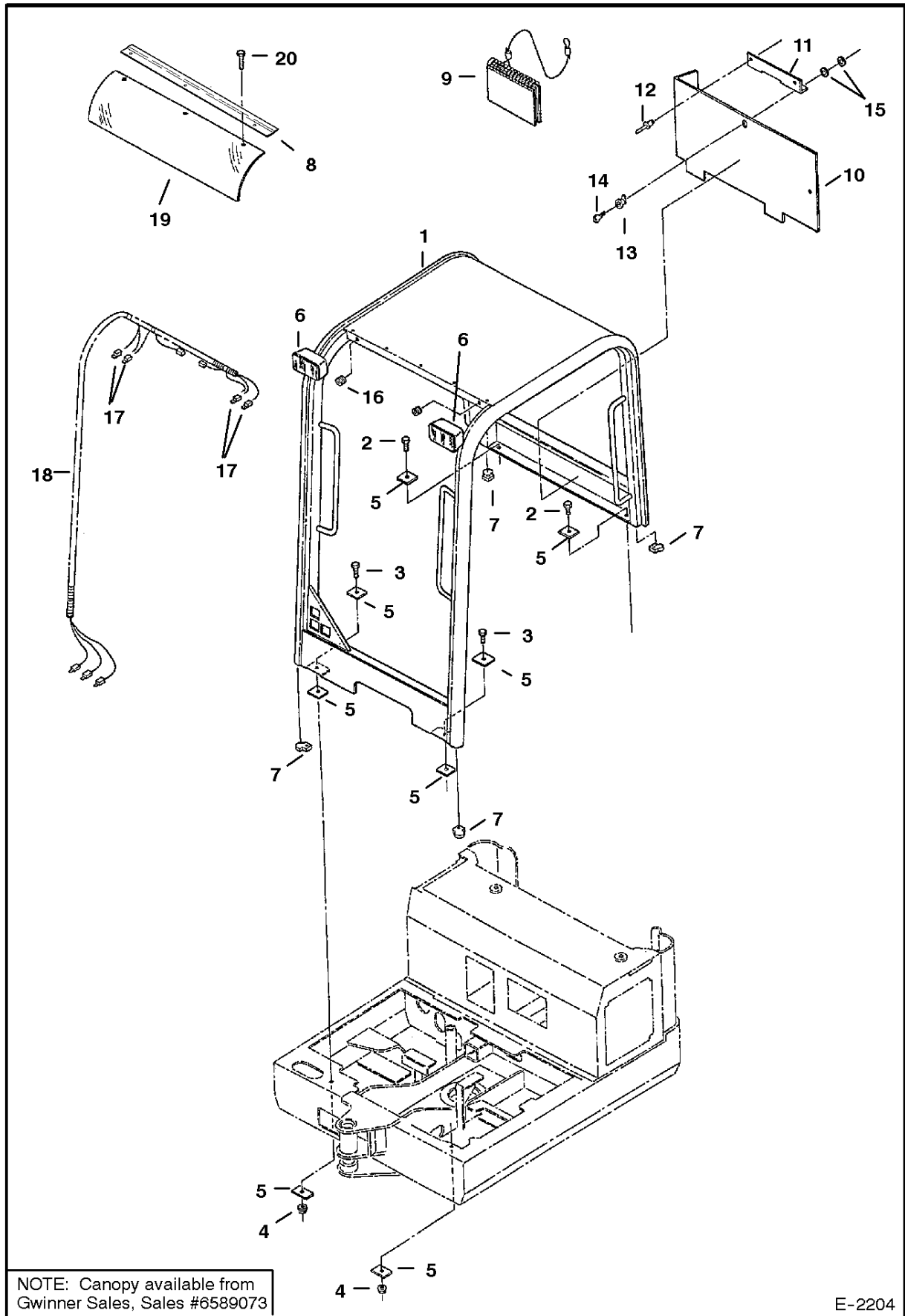


B-18942

UPPERSTRUCTURE & COUNTERWEIGHTS

Ref.N°	Part N°	Description	Remarks	Serial N°	Qty.
1	6587936	FRAME	Upperstructure	20001 - 21411	1
1	6589989	FRAME	Upperstructure	21412 - Above	1
2	6587934	COUNTERWEIGHT			1
3	6587895	BUMPER	L.H.		1
4	6588131	BUMPER	R.H.		1
5	6588154	COVER	Tool Box		1
6	6661695	LOCK ASSY.			1
7	6587458	KEY SET			1
8	21CM-820	BOLT			2
9	1EM-80	WASHER	Not used on later models		2
10	49DM-8	NUT			2
11	6587969	ANGLE	Tool Box Bottom		1
12	29CM-1020	BOLT			2
13	49DM-10	NUT			1
14	10H-25	GREASE ZERK			1
15	6652943	COVER, GREASE	Grease Fitting		1
16	6539897	BUSHING			2
17	1CM-1630	BOLT			8
18	1CM-1230	BOLT	Was 1CM-1220 [B]		2
19	1EM-120	WASHER(082:com3 pO}H~10{M			2
20	6588897	INSULATION			1
21	6588252	BRACKET			1
22	6588251	ANGLE			1
23	6655399	BUMPER			1
24	61D-5	NUT			2
25	29CM-820	BOLT			2
26	42DM-8	NUT			4
27	29CM-825	SCREW			2
28	NAP	MOULDING	8" (203mm) long - Order Ref. UPPERSTRUCTURE & COUNTERWEIGHTS(30)		1
29	NAP	MOULDING	23" (584mm) long - Order Ref. UPPERSTRUCTURE & COUNTERWEIGHTS(30)		1
30	6620417	MOULDING(Bulk - Sold Per Foot08x}co m3E9}H~10{M	Bulk - Sold Per Foot		x

OPERATOR CANOPY



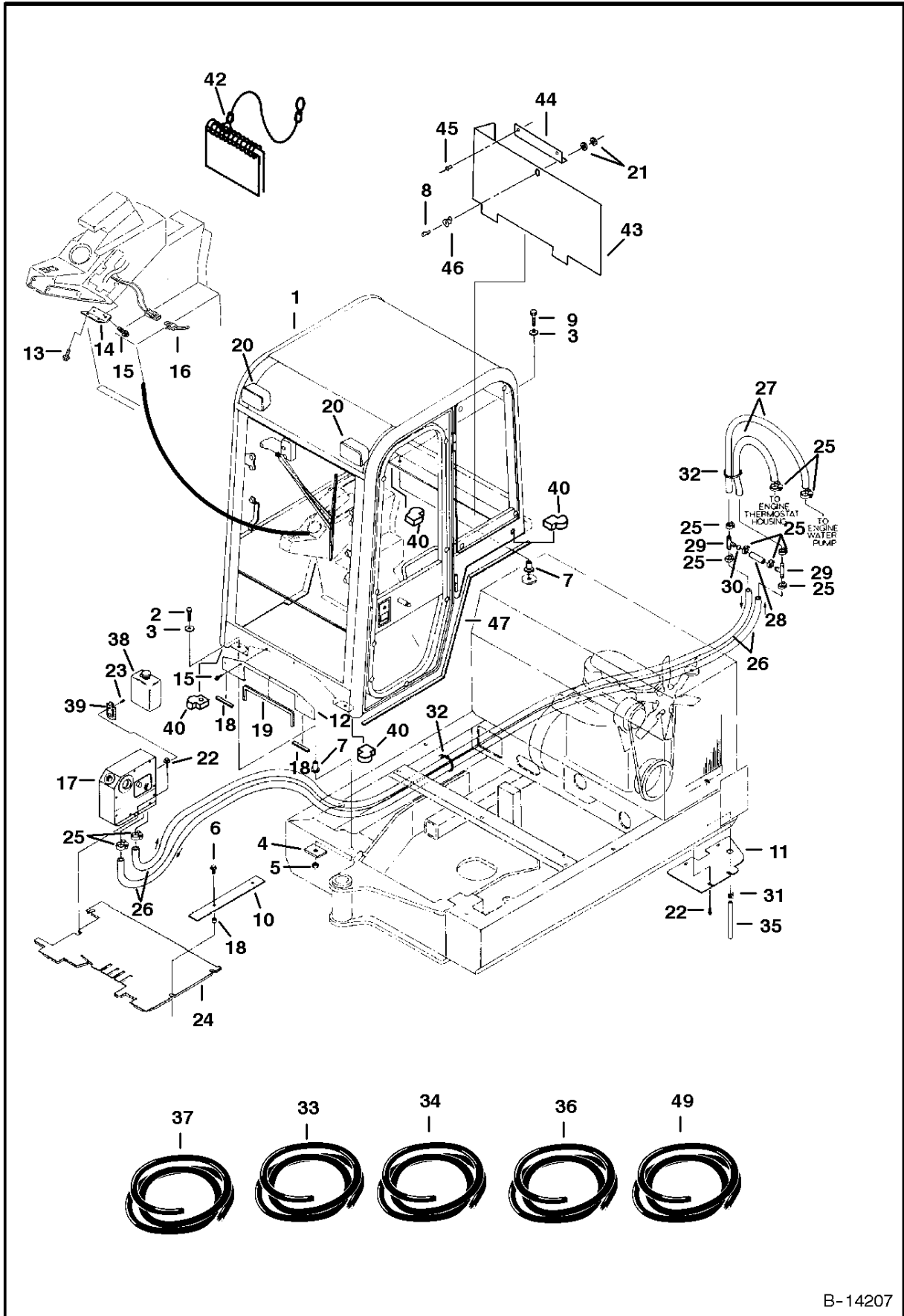
NOTE: Canopy available from
Gwinner Sales, Sales #6589073

E-2204

OPERATOR CANOPY

Ref.N°	Part N°	Description	Remarks	Serial N°	Qty.
1	NAP	CANOPY	Order 6800748 - Was SALES [A]		1
1	6800748	CANOPY	weldment only		1
2	7CM-1225	BOLT			2
3	7CM-1240	SCREW			2
4	43DM-12	NUT			2
5	6588177	PLATE			8
6	NAP	LIGHT	Order 6668722 - Was 6664106[A]		2
6	6665700	SEALED BEAM	For light 6664106		2
6	6664106	LIGHT	Was 6668722[A]		2
6	6668721	BULB	Replacement Bulb for 6668722		2
7	6807987	INSULATION	Was 6589660[A]		3
8	6805291	BRACKET			1
9	6900465	HANDBOOK	Operators - English -		x
10	6589655	PANEL	Storage-Canopy Models	21263 & Above	1
10	6589656	PANEL	Storage-Cab Models	21263 & Above	1
11	6589657	ANGLE			1
12	6630207	RIVET			2
13	6661695	LOCK ASSY.			1
14	6587458	KEY SET			1
15	6536802	WASHER			2
16	6664562	GROMMET	Was 1021036 [A]		3
17	6519548	CONNECTOR	Electric		4
18	6628808	HARNESS	Canopy - Also Order Ref. OPERATOR CANOPY(17)		1
19	6806131	WINDOW	Was 6595792 [A]		1
20	6589675	SCREW			3
20	26GM-6016	BOLT	Use W/Ref. OPERATOR CANOPY(8)		3

CAB & MOUNTING



B-14207

Buy Now



Our support email:

ebooklibonline@outlook.com