

**320  
322**

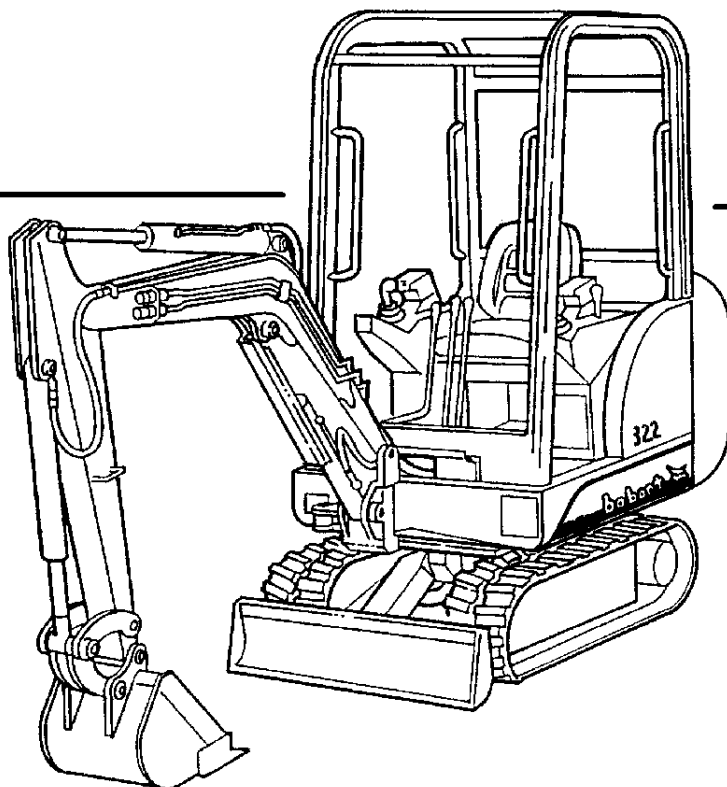


**Bobcat®**

**D-Series  
G-Series**

# **Parts Manual**

**320D (S/N 2238 11001 & Above)  
322D (S/N 2235 11001 & Above)  
320G (S/N 2239 11001 & Above)  
322G (S/N 2340 11001 & Above)**



## 320/322 D & G Series Contents

|                                      |                |
|--------------------------------------|----------------|
| <b>MAIN FRAME</b> .....              | <b>9-46</b>    |
| MAINTENANCE ITEMS .....              | 9-10           |
| MAINTENANCE SCHEDULE .....           | 11-12          |
| UPPERSTRUCTURE & ENGINE COVERS ..... | 13-18          |
| OPERATOR CANOPY .....                | 19-22          |
| OPERATOR CAB .....                   | 23-46          |
| <b>UNDERCARRIAGE</b> .....           | <b>47-68</b>   |
| UNDERCARRIAGE .....                  | 47-48          |
| RECOIL SPRING .....                  | 49-50          |
| FRONT IDLER .....                    | 51-58          |
| TRACK ROLLER .....                   | 59-66          |
| TRACKS .....                         | 67-68          |
| <b>WORK EQUIPMENT</b> .....          | <b>69-78</b>   |
| ARM .....                            | 69-70          |
| BOOM .....                           | 71-74          |
| SWING FRAME .....                    | 75-76          |
| BLADE .....                          | 77-78          |
| <b>CONTROL CONSOLE</b> .....         | <b>79-100</b>  |
| CONTROL CONSOLE .....                | 79-90          |
| CONTROLS .....                       | 91-100         |
| <b>HYDRAULIC CIRCUITRY</b> .....     | <b>101-224</b> |
| HYDRAULIC CIRCUITRY .....            | 101-134        |
| SELECTOR VALVE ASSY .....            | 135-136        |
| SWIVEL JOINT .....                   | 137-144        |
| R.H. JOYSTICK CONTROLS .....         | 145-148        |
| L.H. JOYSTICK CONTROLS .....         | 149-152        |
| TRAVEL MOTOR .....                   | 153-156        |
| MANIFOLD ASSY .....                  | 157-160        |
| CONTROL VALVE .....                  | 161-162        |
| CONTROL VALVE ASSY .....             | 163-164        |
| VALVE SECTION .....                  | 165-182        |
| CONTROL VALVE .....                  | 183-184        |
| VALVE SECTION .....                  | 185-202        |
| SWING MOTOR .....                    | 203-206        |
| BRAKE VALVE .....                    | 207-208        |
| GEAR PUMP .....                      | 209-212        |
| ARM CYLINDER .....                   | 213-214        |
| BLADE CYLINDER .....                 | 215-216        |
| BOOM CYLINDER .....                  | 217-218        |
| BUCKET CYLINDER .....                | 219-220        |
| SWING CYLINDER .....                 | 221-222        |
| TRACK EXPANSION CYLINDER .....       | 223-224        |
| <b>ELECTRICAL SYSTEM</b> .....       | <b>225-238</b> |
| ELECTRICAL .....                     | 225-232        |
| CAB ELECTRICAL .....                 | 233-234        |
| ALTERNATOR .....                     | 235-236        |
| STARTER .....                        | 237-238        |
| <b>POWER UNIT</b> .....              | <b>239-300</b> |
| ENGINE & ATTACHING PARTS .....       | 239-246        |
| ENGINE .....                         | 247-248        |
| ROCKER ARM COVER .....               | 249-250        |
| ROCKER ARM & VALVES .....            | 251-252        |
| CYLINDER HEAD .....                  | 253-254        |
| OIL PAN .....                        | 255-256        |
| GEARCASE .....                       | 257-258        |
| CRANKCASE .....                      | 259-260        |
| PISTON & CRANKSHAFT .....            | 261-262        |
| MAIN BEARING CASE .....              | 263-264        |
| CAMSHAFT .....                       | 265-266        |
| FUEL CAMSHAFT .....                  | 267-268        |
| GOVERNOR GROUP .....                 | 269-270        |
| SPEED CONTROL & STOP LEVER .....     | 271-272        |
| WATER PUMP .....                     | 273-274        |
| WATER FLANGE & THERMOSTAT .....      | 275-276        |

## 320/322 D & G Series Contents (Cont'd)

|                                       |                |
|---------------------------------------|----------------|
| <b>POWER UNIT (CONT'D)</b> .....      | <b>239-300</b> |
| MANIFOLDS .....                       | 277-278        |
| FUEL & INJECTION PUMP .....           | 279-280        |
| INJECTION PUMP .....                  | 281-282        |
| INJECTOR NOZZLES .....                | 283-284        |
| NOZZLE HOLDER .....                   | 285-288        |
| LOWER GASKET KIT .....                | 289-290        |
| UPPER GASKET KIT .....                | 291-292        |
| AIR FILTER .....                      | 293-294        |
| FUEL SYSTEM .....                     | 295-300        |
| <b>ACCESSORIES</b> .....              | <b>304-371</b> |
| BLOCK HEATER .....                    | 304-305        |
| BUCKET .....                          | 306-307        |
| BUCKET TEETH .....                    | 308-309        |
| CANOPY ENCLOSURE KIT .....            | 310-311        |
| CLAMP KIT .....                       | 312-313        |
| CHARGE KIT .....                      | 314-315        |
| DECALS .....                          | 316-319        |
| HEATER KIT .....                      | 320-323        |
| HYDRAULIC BREAKER TOOLS .....         | 324-325        |
| BREAKER MOUNTING KIT .....            | 326-327        |
| HYDRAULIC BREAKER .....               | 328-345        |
| LIGHT KIT .....                       | 346-347        |
| MOTION ALARM KIT .....                | 348-351        |
| PURIFIER MUFFLER .....                | 352-353        |
| RENTAL KIT .....                      | 354-355        |
| RIGHT HAND ENTRY KIT .....            | 356-357        |
| SPECIAL APPLICATIONS CAB KIT .....    | 358-359        |
| SPECIAL APPLICATIONS CANOPY KIT ..... | 360-361        |
| STEEL TRACK KIT .....                 | 362-363        |
| TOP GUARD KIT .....                   | 364-365        |
| VINYL CAB ENCLOSURE KIT .....         | 366-367        |
| X-CHANGE .....                        | 368-369        |
| BULK ITEMS .....                      | 370-371        |
| <b>NUMERICAL</b> .....                | <b>372-420</b> |
| NUMERICAL ITEMS .....                 | 372-420        |

## 320/322 D & G Series Contents

|                                      |                |
|--------------------------------------|----------------|
| <b>MAIN FRAME</b> .....              | <b>9-46</b>    |
| MAINTENANCE ITEMS .....              | 9-10           |
| MAINTENANCE SCHEDULE .....           | 11-12          |
| UPPERSTRUCTURE & ENGINE COVERS ..... | 13-18          |
| OPERATOR CANOPY .....                | 19-22          |
| OPERATOR CAB .....                   | 23-46          |
| <b>UNDERCARRIAGE</b> .....           | <b>47-68</b>   |
| UNDERCARRIAGE .....                  | 47-48          |
| RECOIL SPRING .....                  | 49-50          |
| FRONT IDLER .....                    | 51-58          |
| TRACK ROLLER .....                   | 59-66          |
| TRACKS .....                         | 67-68          |
| <b>WORK EQUIPMENT</b> .....          | <b>69-78</b>   |
| ARM .....                            | 69-70          |
| BOOM .....                           | 71-74          |
| SWING FRAME .....                    | 75-76          |
| BLADE .....                          | 77-78          |
| <b>CONTROL CONSOLE</b> .....         | <b>79-100</b>  |
| CONTROL CONSOLE .....                | 79-90          |
| CONTROLS .....                       | 91-100         |
| <b>HYDRAULIC CIRCUITRY</b> .....     | <b>101-224</b> |
| HYDRAULIC CIRCUITRY .....            | 101-134        |
| SELECTOR VALVE ASSY .....            | 135-136        |
| SWIVEL JOINT .....                   | 137-144        |
| R.H. JOYSTICK CONTROLS .....         | 145-148        |
| L.H. JOYSTICK CONTROLS .....         | 149-152        |
| TRAVEL MOTOR .....                   | 153-156        |
| MANIFOLD ASSY .....                  | 157-160        |
| CONTROL VALVE .....                  | 161-162        |
| CONTROL VALVE ASSY .....             | 163-164        |
| VALVE SECTION .....                  | 165-182        |
| CONTROL VALVE .....                  | 183-184        |
| VALVE SECTION .....                  | 185-202        |
| SWING MOTOR .....                    | 203-206        |
| BRAKE VALVE .....                    | 207-208        |
| GEAR PUMP .....                      | 209-212        |
| ARM CYLINDER .....                   | 213-214        |
| BLADE CYLINDER .....                 | 215-216        |
| BOOM CYLINDER .....                  | 217-218        |
| BUCKET CYLINDER .....                | 219-220        |
| SWING CYLINDER .....                 | 221-222        |
| TRACK EXPANSION CYLINDER .....       | 223-224        |
| <b>ELECTRICAL SYSTEM</b> .....       | <b>225-238</b> |
| ELECTRICAL .....                     | 225-232        |
| CAB ELECTRICAL .....                 | 233-234        |
| ALTERNATOR .....                     | 235-236        |
| STARTER .....                        | 237-238        |
| <b>POWER UNIT</b> .....              | <b>239-300</b> |
| ENGINE & ATTACHING PARTS .....       | 239-246        |
| ENGINE .....                         | 247-248        |
| ROCKER ARM COVER .....               | 249-250        |
| ROCKER ARM & VALVES .....            | 251-252        |
| CYLINDER HEAD .....                  | 253-254        |
| OIL PAN .....                        | 255-256        |
| GEARCASE .....                       | 257-258        |
| CRANKCASE .....                      | 259-260        |
| PISTON & CRANKSHAFT .....            | 261-262        |
| MAIN BEARING CASE .....              | 263-264        |
| CAMSHAFT .....                       | 265-266        |
| FUEL CAMSHAFT .....                  | 267-268        |
| GOVERNOR GROUP .....                 | 269-270        |
| SPEED CONTROL & STOP LEVER .....     | 271-272        |
| WATER PUMP .....                     | 273-274        |
| WATER FLANGE & THERMOSTAT .....      | 275-276        |

## 320/322 D & G Series Contents (Cont'd)

|                                       |                |
|---------------------------------------|----------------|
| <b>POWER UNIT (CONT'D)</b> .....      | <b>239-300</b> |
| MANIFOLDS .....                       | 277-278        |
| FUEL & INJECTION PUMP .....           | 279-280        |
| INJECTION PUMP .....                  | 281-282        |
| INJECTOR NOZZLES .....                | 283-284        |
| NOZZLE HOLDER .....                   | 285-288        |
| LOWER GASKET KIT .....                | 289-290        |
| UPPER GASKET KIT .....                | 291-292        |
| AIR FILTER .....                      | 293-294        |
| FUEL SYSTEM .....                     | 295-300        |
| <b>ACCESSORIES</b> .....              | <b>304-371</b> |
| BLOCK HEATER .....                    | 304-305        |
| BUCKET .....                          | 306-307        |
| BUCKET TEETH .....                    | 308-309        |
| CANOPY ENCLOSURE KIT .....            | 310-311        |
| CLAMP KIT .....                       | 312-313        |
| CHARGE KIT .....                      | 314-315        |
| DECALS .....                          | 316-319        |
| HEATER KIT .....                      | 320-323        |
| HYDRAULIC BREAKER TOOLS .....         | 324-325        |
| BREAKER MOUNTING KIT .....            | 326-327        |
| HYDRAULIC BREAKER .....               | 328-345        |
| LIGHT KIT .....                       | 346-347        |
| MOTION ALARM KIT .....                | 348-351        |
| PURIFIER MUFFLER .....                | 352-353        |
| RENTAL KIT .....                      | 354-355        |
| RIGHT HAND ENTRY KIT .....            | 356-357        |
| SPECIAL APPLICATIONS CAB KIT .....    | 358-359        |
| SPECIAL APPLICATIONS CANOPY KIT ..... | 360-361        |
| STEEL TRACK KIT .....                 | 362-363        |
| TOP GUARD KIT .....                   | 364-365        |
| VINYL CAB ENCLOSURE KIT .....         | 366-367        |
| X-CHANGE .....                        | 368-369        |
| BULK ITEMS .....                      | 370-371        |
| <b>NUMERICAL</b> .....                | <b>372-420</b> |
| NUMERICAL ITEMS .....                 | 372-420        |

# GENERAL INFORMATION

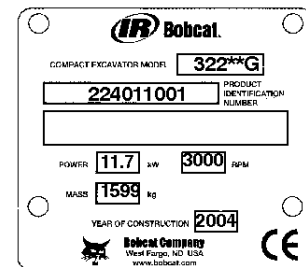
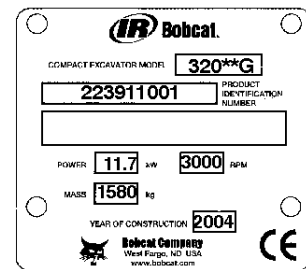
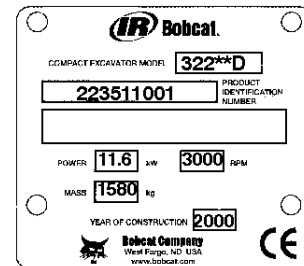
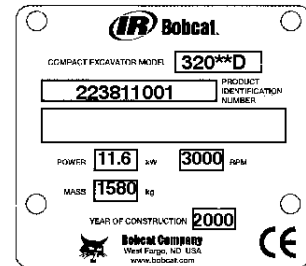
When using the machine serial number, use the complete number.

Some Serial Number breaks are not available at time of printing. These are listed as & Below or & Above.

The number shown in the quantity column in this manual is the number of parts needed for the illustration on the page. For some parts an "x" will be shown in the quantity column. This "x" indicates that the quantity to be used is "As Needed".

When references L.H. and R.H. are used in this manual, it is done from the operator's seat in the forward operating position.

Some of the illustrations and information found in this parts manual were supplied to Bobcat by machine component companies.



## ABBREVIATIONS & SYMBOLS

**SALES** = Order from Gwinner Sales Department

**NSS** = Not Serviced Separately

**NAP** = Not Available as Parts

**\*** = Changed or Added Sections, Pages or Part Numbers

### Disposition Code Definition (Found in the Remarks Column)

**[A]** = Use Up

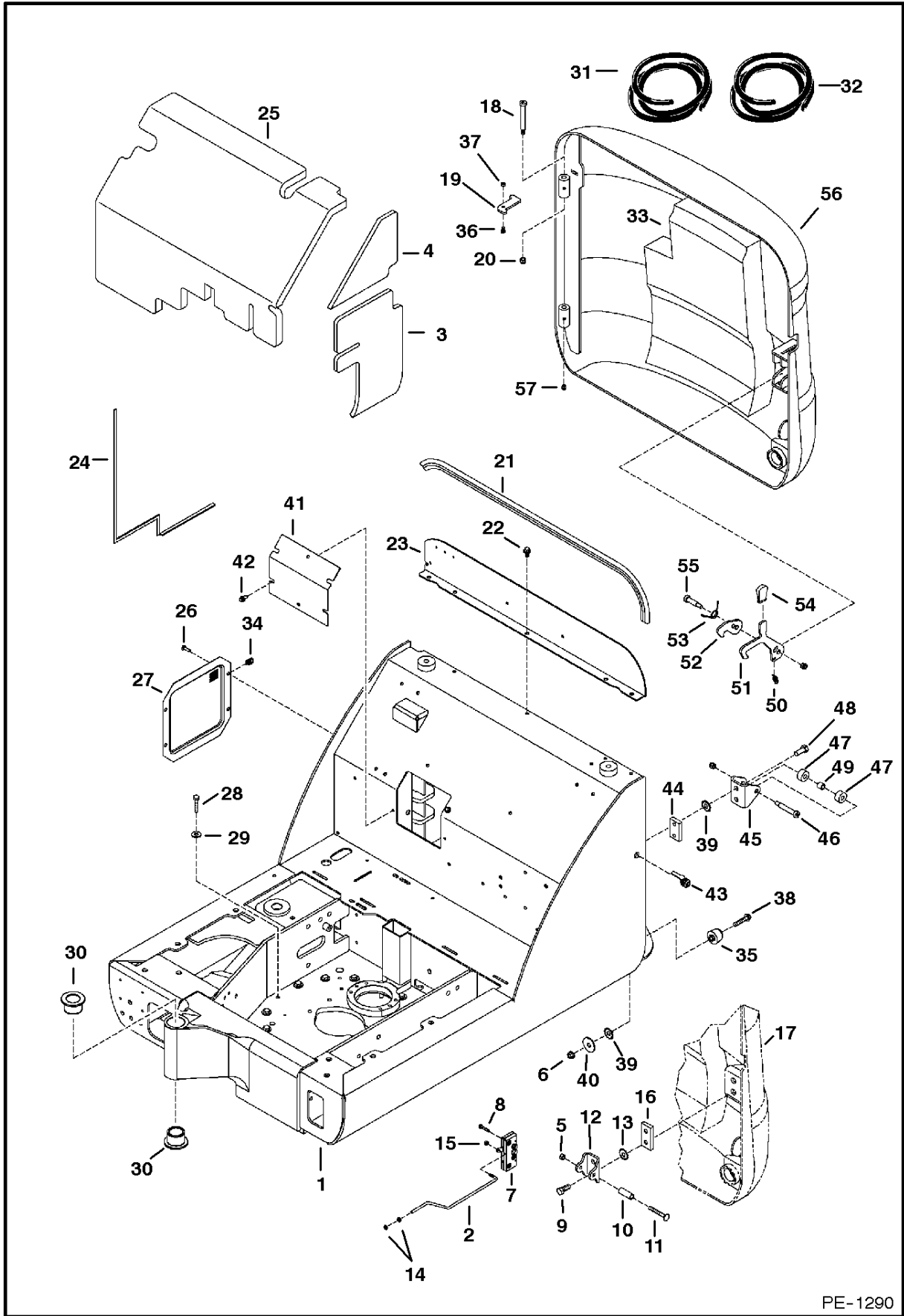
**[B]** = Use Up on Other Application (See PNI)

**[C]** = File PDR Report With Bobcat Sales

**[D]** = Part Number Error

|                              |         |   |
|------------------------------|---------|---|
| Explications en francais     | Grid Nb | 3 |
| Erklärungen auf deutsch      | Grid Nb | 4 |
| Spiegazioni in italiano      | Grid Nb | 5 |
| Explicaciones en espanol     | Grid Nb | 6 |
| Verklaring in het Nederlands | Grid Nb | 7 |

# UPPERSTRUCTURE & ENGINE COVERS



PE-1290

## UPPERSTRUCTURE &amp; ENGINE COVERS

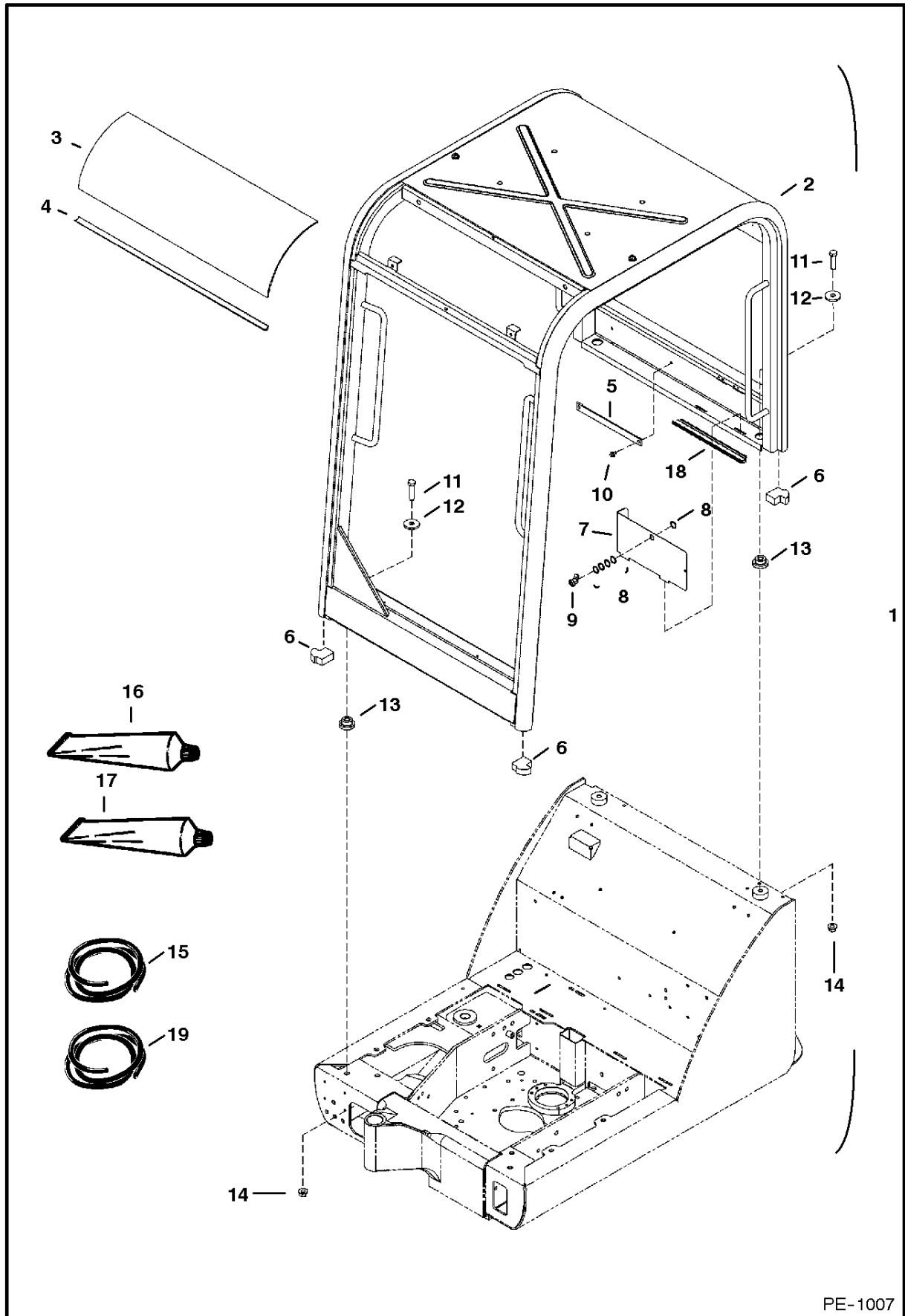
| Ref.N° | Part N°    | Description     | Remarks  | Serial N°        | Qty. |
|--------|------------|-----------------|--|------------------|------|
| 1      | NAP        | )UPPERSTRUCTURE | w/o access hole - order 6810127 & Ref. UPPERSTRUCTURE & ENGINE COVERS(22), UPPERSTRUCTURE & ENGINE COVERS(41) (2) & UPPERSTRUCTURE | 223811738 & Bel. | 1    |
| 1      | NAP        | )UPPERSTRUCTURE | w/access hole-order 6810127 & Ref. UPPERSTRUCTURE & ENGINE COVERS(41) - UPPERSTRUCTURE & ENGINE COVERS(58)                         | 22351173911838   | 1    |
| 1      | 6810127    | UPPERSTRUCTURE  |  | 223811839 & Abv. | 1    |
| 1      | 6808306    | HINGE           | weld-on rear door  |                  | 4    |
| 2      | 6807039    | ROD             | latch  | 223811838 & Bel. | 1    |
| 3      | 6807607    | INSULATION      |  |                  | 1    |
| 4      | 6807606    | INSULATION      |  |                  | 1    |
| 5      | 95D-6      | NUT             | Was 61D-6 [B]  | 223811838 & Bel. | 1    |
| 6      | 51DM-10    | NUT             | Was 6512274 [B]  |                  | 1    |
| 7      | 6675687    | LATCH           |  | 223811838 & Bel. | 1    |
| 8      | 1CM-630    | SCREW           | Was 1CM-625 [B]  | 223811838 & Bel. | 4    |
| 9      | 17C-820    | BOLT            |  | 223811838 & Bel. | 2    |
| 10     | 6719550    | TUBE            | striker  | 223811838 & Bel. | 1    |
| 11     | 37C-644    | BOLT            |  | 223811838 & Bel. | 1    |
| 12     | 6719524    | STRIKER         |  |                  | 1    |
| 13     | 6675273    | WASHER          | lock   | 223811838 & Bel. | 2    |
| 14     | 7D-4       | NUT             |  |                  | 2    |
| 15     | 85D-4      | NUT             | Was 6808027 [A]  | 223811838 & Bel. | 6    |
| 16     | 6719525    | BAR             | striker  | 223811838 & Bel. | 1    |
| 17     | 6806282    | TAILGATE        | Was 6808282 [D]  | 223811838 & Bel. | 1    |
| 18     | 6809845    | SCREW           | Was 38C-856 [A]  |                  | 2    |
| 19     | 6808706    | STOP            | tailgate - Was 6714126 [A]   |                  | 1    |
| 20     | 59D-6      | NUT             |  |                  | 2    |
| 21     | NAP        | SEAL            | 39" of Ref. UPPERSTRUCTURE & ENGINE COVERS(31)   |                  | 1    |
| 22     | 26GM-10020 | SCREW           |  |                  | 5    |
| 23     | 6806387    | CROSSMEMBER     |  | 223811795 & Bel. | 1    |
| 23     | 6810633    | CROSSMEMBER     |  | 223811796 & Abv. | 1    |
| 24     | NAP        | SEAL            | 38" of Ref. UPPERSTRUCTURE & ENGINE COVERS(32)   |                  | 1    |
| 25     | 6807605    | INSULATION      |  | 223811738 & Bel. | 1    |
| 25     | 6810320    | INSULATION      |  | 223811739 & Abv. | 1    |
| 26     | 6808033    | SCREW           |  |                  | 4    |
| 27     | 6807519    | SCREEN          |  |                  | 1    |
| 28     | 56CM-1045  | SCREW           | Was 10CM-1045 (B)  |                  | 16   |
| 29     | 27E-6      | WASHER          |  |                  | 15   |
| 30     | 6539897    | BUSHING         |  |                  | 2    |
| 31     | 6675732    | SEAL            | Bulk - Order by the foot - Was 6676395 [D]   |                  | x    |
| 32     | 6648416    | SEAL            | Bulk - Order by the foot   |                  | x    |
| 33     | 6808117    | INSULATION      | Tailgate   |                  | 1    |
| 34     | 6676026    | NUT             |  |                  | 4    |
| 35     | 6808365    | BUMPER          |  |                  | 1    |
| 36     | 1CM-612    | SCREW           |  |                  | 1    |
| 37     | 4DM-6      | NUT             |  |                  | 1    |
| 38     | 29CM-1050  | SCREW           |  |                  | 1    |
| 39     | 6560899    | WASHER          |  |                  | 1    |
| 40     | 6675273    | WASHER          |  |                  | 1    |
| 41     | 6810152    | COVER           |  | 223811739 & Abv. | 1    |
| 42     | 26GM-8020  | SCREW           |  |                  | 1    |
| 43     | 6678025    | LOCK            |  | 223811839 & Abv. | 1    |
| 44     | 6810802    | STRIKER         |  | 223811839 & Abv. | 1    |
| 45     | 6809727    | CHANNEL         |  | 223811839 & Abv. | 1    |



## UPPERSTRUCTURE &amp; ENGINE COVERS

| Ref.N° | Part N° | Description   | Remarks                 | Serial N°        | Qty. |
|--------|---------|---------------|-------------------------|------------------|------|
| 46     | 38C-840 | BOLT          |                         | 223811839 & Abv. | 1    |
| 47     | 6809726 | ROLLER        |                         | 223811839 & Abv. | 1    |
| 48     | 17C-820 | BOLT          |                         | 223811839 & Abv. | 1    |
| 49     | 6809734 | BUSHING       |                         | 223811839 & Abv. | 1    |
| 50     | 6810141 | SPRING        |                         | 223811839 & Abv. | 1    |
| 51     | NAP     | HANDLE        | order 6811909 & 6811910 | 223812077 & Bel. | 1    |
| 52     |         | 6811909inD1}< | HANDLE                  |                  | 999  |
| 53     | NAP     | LATCH         | order 6811910 & 681909  | 223812077 & Bel. | 1    |
| 53     | 6733667 | LATCH         | Was 6811910 [A]         | 223812078 & Abv. | 1    |
| 54     | 6810132 | SPRING        |                         | 223811839 & Abv. | 1    |
| 55     | 6564452 | GRIP          | lever                   | 223811839 & Abv. | 1    |
| 56     | 38C-824 | SCREW         |                         | 223811839 & Abv. | 1    |
| 57     | 6810131 | TAILGATE      |                         | 223811839 & Abv. | 1    |
| 58     | 10H-25  | GREASE ZERK   |                         | 223811839 & Abv. | 1    |

# OPERATOR CANOPY

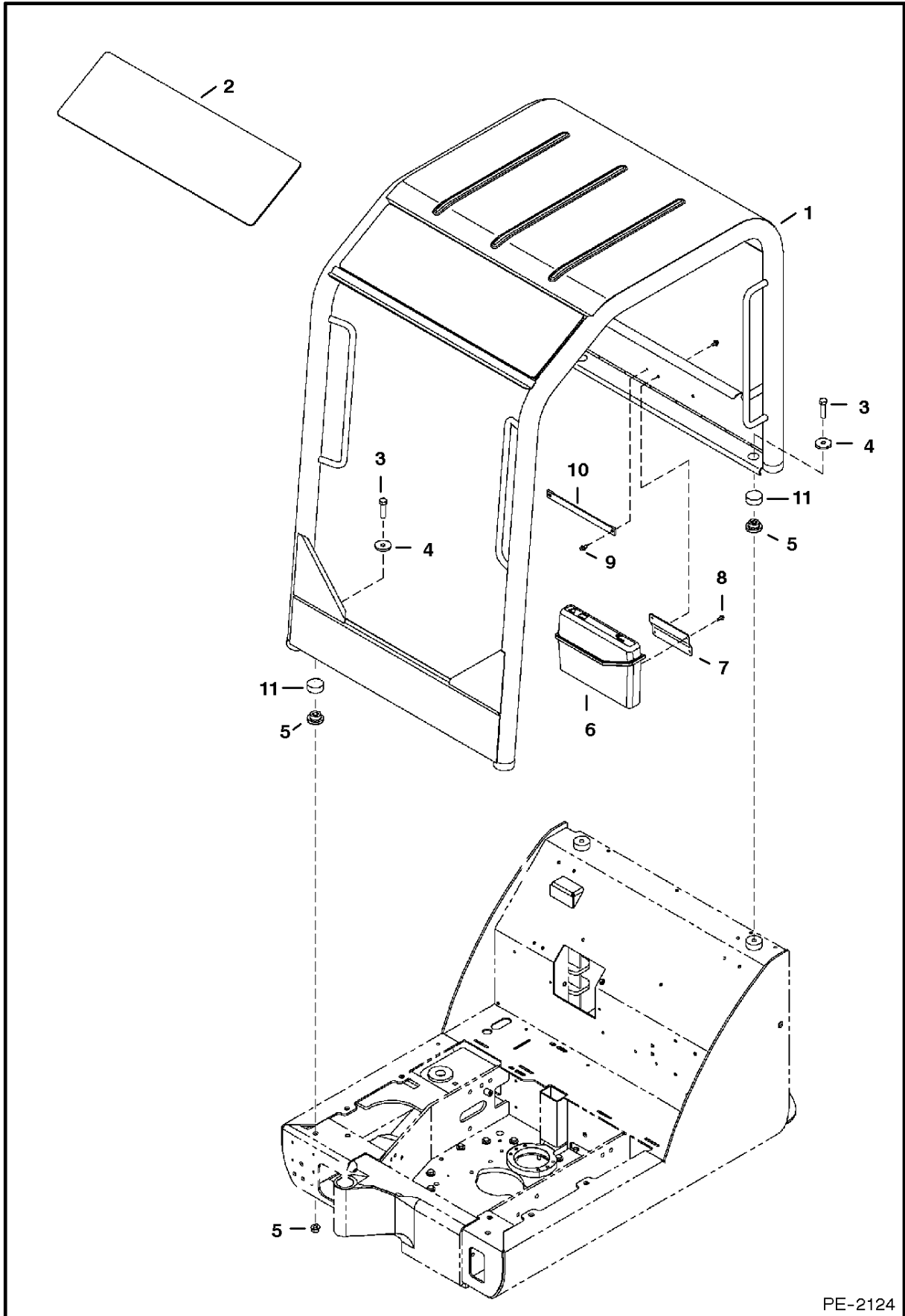


PE-1007

## OPERATOR CANOPY

| Ref.N° | Part N°   | Description | Remarks   | Serial N° | Qty. |
|--------|-----------|-------------|---|-----------|------|
| 1      | NAP       | CANOPY ASSY | W/Ref. OPERATOR CANOPY(2)-OPERATOR CANOPY(14), and decals - order 6817851 - Was 6808864 [A] |           | 1    |
| 2      | NAP       | CANOPY      | welded assembly - order 6810595 - Was 6805906 [A]   |           | 1    |
| 3      | 6805903   | WINDOW      |   |           | 1    |
| 4      | NAP       | SEAL        | Use 36" of Ref. OPERATOR CANOPY(15)   |           | 1    |
| 5      | 6589347   | STRAP       |   |           | 4    |
| 6      | 6807987   | INSULATION  |   |           | 1    |
| 7      | 6589656   | PANEL       |   |           | 1    |
| 8      | 6536802   | WASHER      |   |           | 5    |
| 9      | 6675723   | LOCK        | assy  |           | 1    |
| 9      | 6675843   | NUT         |   |           | 1    |
| 9      | 6709527   | KEY         |   |           | 1    |
| 10     | 26GM-8016 | SCREW       | Was 29CM-812 [B]  |           | 2    |
| 11     | 10CM-1455 | SCREW       | Was 10CM-1460 [B]   |           | 4    |
| 12     | 6805244   | WASHER      |   |           | 4    |
| 13     | 6804026   | MOUNT       |   |           | 4    |
| 14     | 43DM-14   | NUT         |   |           | 4    |
| 15     | 6670537   | SEAL        | bulk - sold by the foot   |           | x    |
| 16     | 6808882   | ADHESIVE    |   |           | x    |
| 17     | 6808881   | DEGREASER   | for Ref. OPERATOR CANOPY(16)  |           | x    |
| 18     | NAP       | INSULATION  | use 4" of Ref. OPERATOR CANOPY(9)   |           | 1    |
| 19     | 6648416   | SEAL        | bulk - sold per foot  |           | x    |

# OPERATOR CANOPY

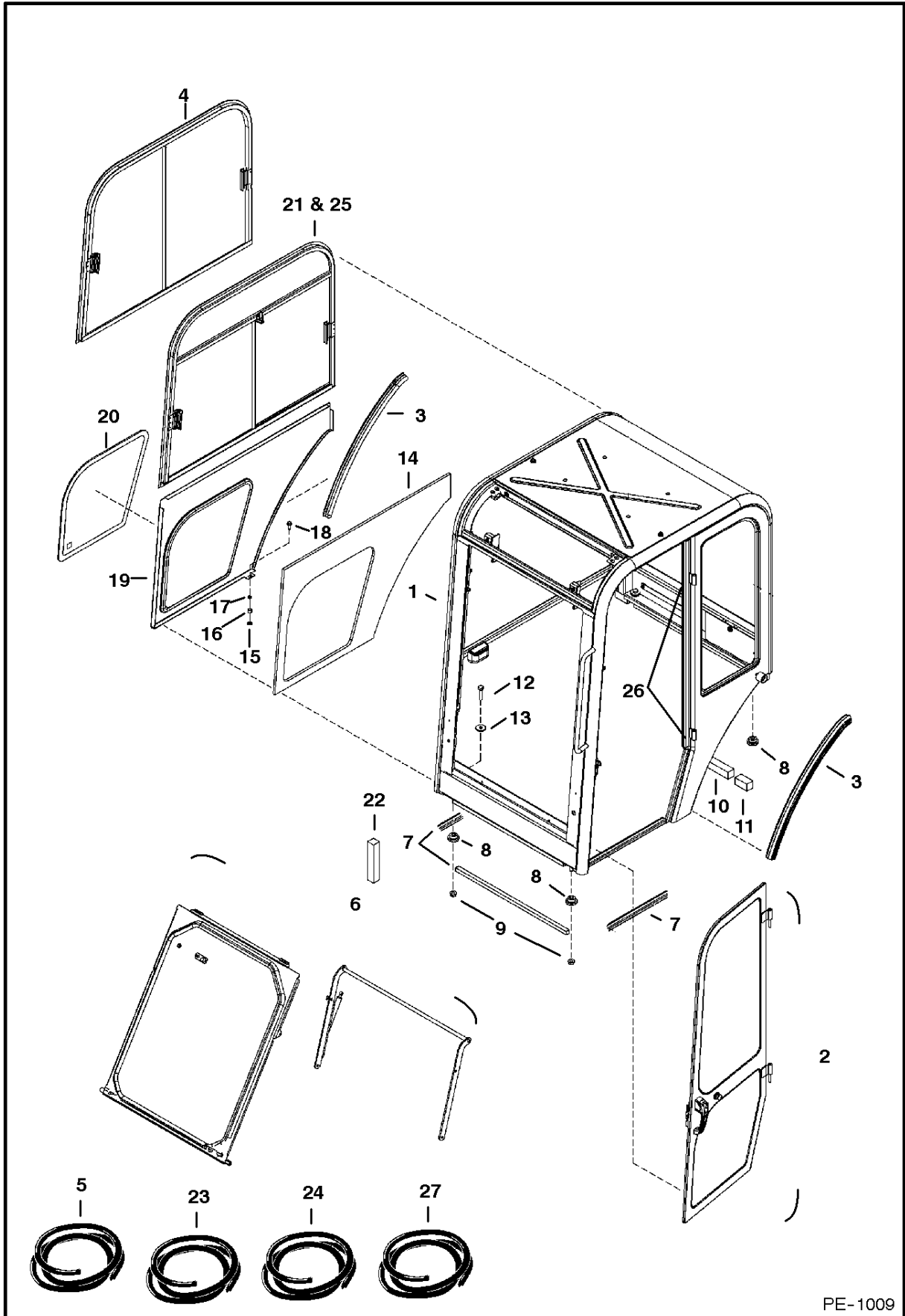


PE-2124

## OPERATOR CANOPY

| Ref.N° | Part N°   | Description | Remarks | Serial N° | Qty. |
|--------|-----------|-------------|---------|-----------|------|
| 1      | 6812243   | CANOPY      | W/A     |           | 1    |
| 2      | 6811918   | WINDOW      | roof    |           | 1    |
| 3      | 10CM-1455 | SCREW       |         |           | 4    |
| 4      | 6805244   | WASHER      | flat    |           | 4    |
| 5      | 6804026   | MOUNT       |         |           | 4    |
| 6      | 6708827   | CONTAINER   | manual  |           | 1    |
| 7      | 6813083   | BRACKET     |         |           | 1    |
| 8      | 6702642   | BOLT        |         |           | 2    |
| 9      | 26GM-8016 | SCREW       |         |           | 4    |
| 10     | 6589347   | STRAP       | elastic |           | 1    |
| 11     | 6816135   | INSULATION  |         |           | 4    |

# OPERATOR CAB



PE-1009

**Buy Now**



Our support email:

[ebooklibonline@outlook.com](mailto:ebooklibonline@outlook.com)