

325
328

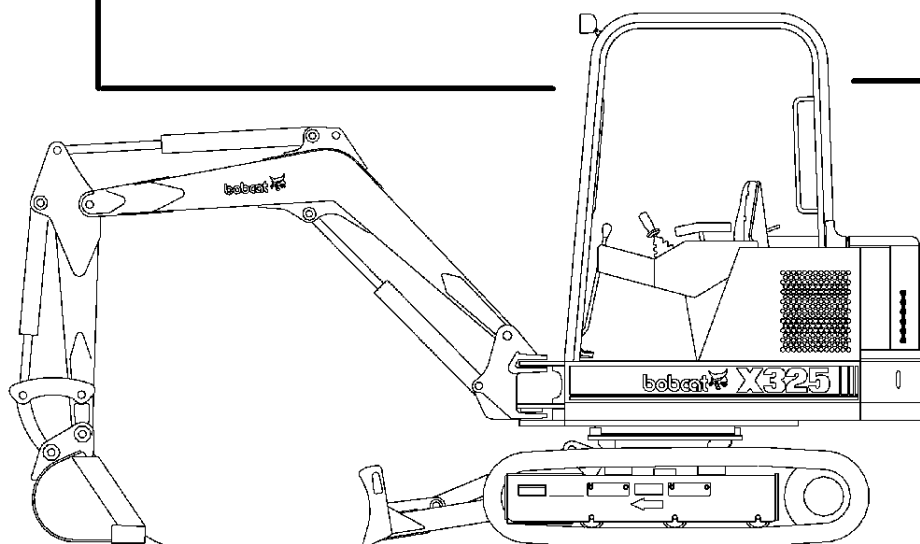


Bobcat®

D-Series

Parts Manual

325D (S/N 2323 11001 & Above)
328D (S/N 2324 11001 & Above)



325/328 D-SERIES ALPHABETICAL INDEX

ADHESIVE	402
AIR CLEANER	266
ALTERNATOR	216
ANTI-FREEZE	402
AUGER	272, 288
BLOCK HEATER	306
BREAKER	348, 354
BREAKER MOUNT	296, 300
BREAKER MOUNTING KIT	302
CHARGE KIT, BREAKER	316, 318
CUTTER ASSY, LINE CUTTER ...	356
CYLINDER, SWING	200
FILTER, AIR	266
FILTER, ENG. OIL	234
FRONT IDLER	52, 54
GASKET KIT, ENGINE	262, 264
GLOW PLUG	260
HYD/HYDRO FLUID	402
IDLER, FRONT	52, 54
INJECTION NOZZLES	260
KIT, BREAKER MOUNTING	296, 300, 302
KIT, TANK HEATER	386, 388
LUBRICANT	402
MANIFOLD	252
OIL	402
PAINT	402
POLISH	402
PUMP, FUEL	256, 258
PUMP, INJECTION	256, 258
PUMP, OIL	236
PUMP, WATER	248
SEALANT	402
STARTER	214
SWING CYLINDER	200
SWIVEL JOINT	126
TANK HEATER	386, 388
THERMOSTAT	254
TRACK, STEEL	64

325/328 D-SERIES CONTENTS

MAIN FRAME	12-45
UPPERSTRUCTURE	12-15
INSULATION	16-17
UPPERSTRUCTURE LOCK	18-19
OPERATOR CAB	20-23
CAB	24-25
CANOPY	26-27
R.H. COVER	28-29
OPERATOR CAB (DOOR)	30-31
OPERATORS AREA & SEAT	32-33
SEAT	34-37
R.H. WINDOW	38-39
OPERATOR CAB (FRONT WINDOW)	40-41
TAILGATE	42-45
UNDERCARRIAGE	46-65
UNDERCARRIAGE	46-47
RECOIL SPRING	48-51
FRONT IDLER	52-55
TRACK ROLLER	56-63
TRACKS	64-65
WORK EQUIPMENT	66-83
ARM & BUCKET LINK	66-67
X-CHANGE	68-69
BOOM	70-71
SWING FRAME	72-73
BLADE	74-75
L.H. CONSOLE	76-79
R.H. CONSOLE	80-81
THROTTLE CONTROL	82-83
CONTROL CONSOLE	84-89
CONTROLS	84-89
HYDRAULIC CIRCUITRY	90-203
HYDRAULIC CIRCUITRY	90-113
MANIFOLD ASSY.	114-117
HYDRAULIC RESERVOIR	118-119
ISO/STD	120-121
SELECTOR VALVE ASSY	122-123
JOYSTICK/PILOT HYDRAULICS	124-125
SWIVEL JOINT	126-127
R.H. JOYSTICK (S/N 2323 12386 & BEL., 2324 12117 AND BEL. & 2324 12128-12129)	128-129
L.H. JOYSTICK (S/N 2323 12386 & BEL., 2324 12117 AND BEL. & 2324 12128-12129)	130-131
R.H. JOYSTICK (S/N 2323 12387 & ABV., 2324 12118-12127 & 12130 & ABV.)	132-133
L.H. JOYSTICK (S/N 2323 12387 & ABV., 2324 12118-12127 & 12130 & ABV.)	134-135
TRAVEL MOTOR	136-139
SWING MOTOR	140-141
MOUNT ASSY.	142-143
CROSSPORT RELIEF VALVE	144-145
CONTROL VALVE	146-149
VALVE SECTION	150-169
CONTROL VALVE (S/N & ABOVE)	170-171
VALVE SECTION	172-191
ARM CYLINDER	192-193
BLADE CYLINDER	194-195
BOOM CYLINDER	196-197
BUCKET CYLINDER	198-199
SWING CYLINDER	200-201
CLAMP CYLINDER	202-203
ELECTRICAL SYSTEMS	204-217
CAB ELECTRICAL	204-205
ELECTRICAL	206-213
STARTER	214-215
ALTERNATOR	216-217

325/328 D-SERIES CONTENTS

POWER UNIT	218-269
ENGINE & ATTACHING PARTS	218-225
ROCKER ARM COVER	226-227
VALVES & ROCKER ARM	228-229
CYLINDER HEAD	230-231
OIL PAN	232-233
GEARCASE	234-235
CRANKCASE	236-237
PISTON & CRANKSHAFT	238-239
CAMSHAFT	240-241
FUEL CAMSHAFT	242-243
GOVERNOR	244-245
SPEED CONTROL PLATE	246-247
WATER PUMP	248-249
ENGINE STOP LEVER	250-251
MANIFOLDS	252-253
WATER FLANGE & THERMOSTAT	254-255
INJECTION PUMP	256-259
INJECTION NOZZLES	260-261
UPPER GASKET KIT	262-263
LOWER GASKET KIT	264-265
AIR CLEANER	266-267
FUEL SYSTEM	268-269
ACCESSORIES & OPTIONS	270-404
AUGER	273-288
AUGER MOUNTING KIT	289-290
HYDRAULIC MOTOR	291-296
BREAKER MOUNTING KIT	297-304
BREAKER MOUNTING PACK	305-306
BLOCK HEATER	307-308
BUCKETS	309-310
CAB LIGHT KIT	311-312
CANOPY ENCLOSURE KIT	313-316
CHARGE KIT	317-320
CLAMP	321-322
COMPACTOR	323-324
COUNTERWEIGHT KIT	325-326
DECALS	327-330
DIRECT TO TANK KIT	331-332
GRAPPLE	333-334
HEATER BOX	335-338
HEATER INSTALLATION	339-340
HEATER KIT	341-344
HYDRA-TILT	345-346
HYDRA-TILT CYLINDER	347-348
HYDRAULIC BREAKER	349-362
HYDRAULIC BREAKER TOOLS	363-366
KEYLESS IGNITION KIT	367-368
LONG ARM KIT	369-370
MOTION ALARM KIT	371-372
POWERTILT	373-376
PURIFIER	377-378
SELECTOR VALVE ASSY	379-380
SPECIAL APPLICATIONS CAB	381-382
ACCESSORIES & OPTIONS	270-404
SPECIAL APPLICATIONS CANOPY KIT	383-384
STEEL TRACK KIT	385-386
TANK HEATER KIT	387-390
TOP GUARD KIT	391-392
VINYL CAB ENCLOSURE KIT	393-394
WIDE LINK KIT	395-396
X-CHANGE™	397-398
X-CHANGE™ BREAKER MOUNTING KIT	399-402
BULK ITEMS	403-404
NUMERICAL INDEX	405-458
NUMERICAL INDEX	405-458

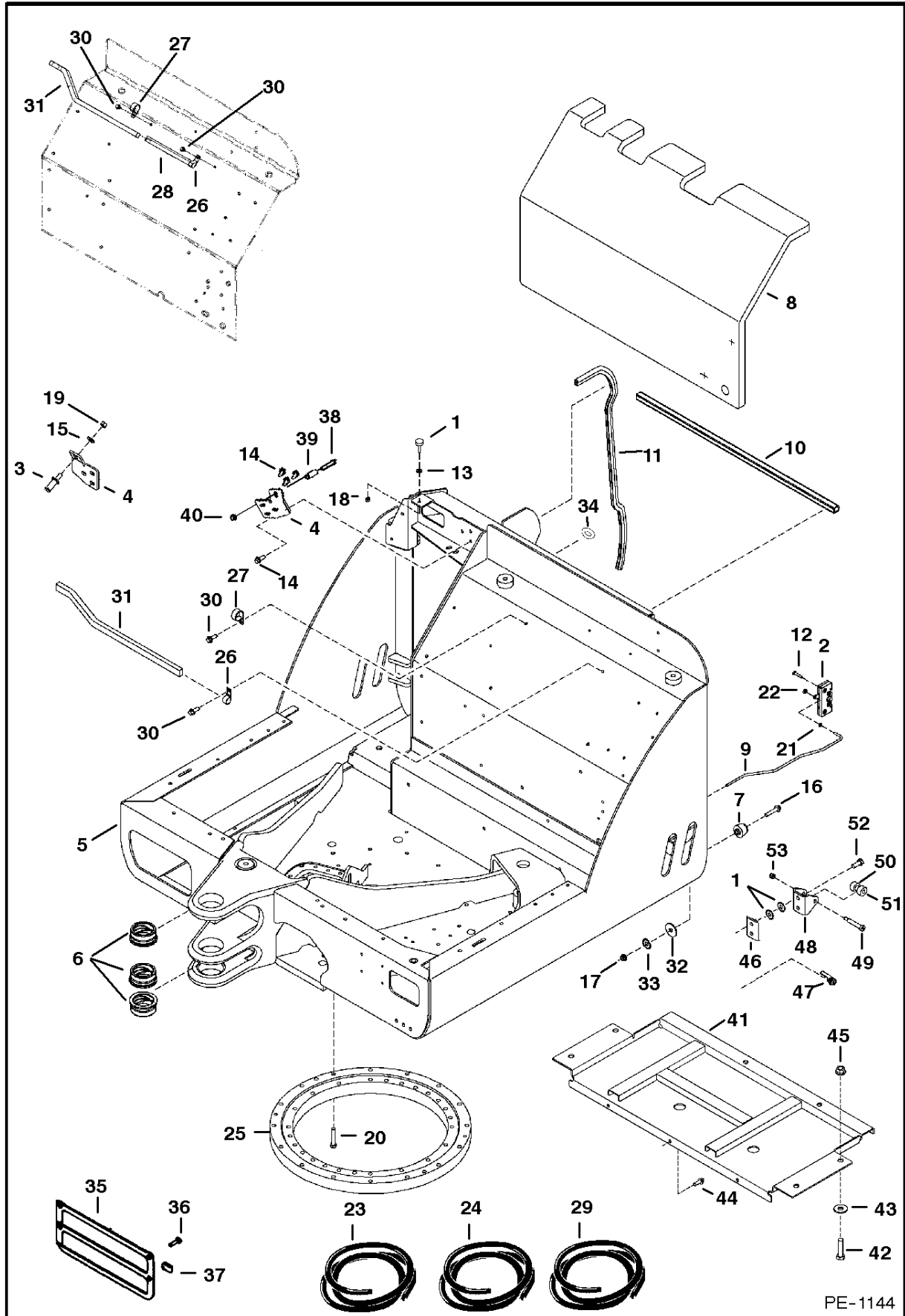
325/328 D-SERIES CONTENTS

MAIN FRAME	12-45
UPPERSTRUCTURE	12-15
INSULATION	16-17
UPPERSTRUCTURE LOCK	18-19
OPERATOR CAB	20-23
CAB	24-25
CANOPY	26-27
R.H. COVER	28-29
OPERATOR CAB (DOOR)	30-31
OPERATORS AREA & SEAT	32-33
SEAT	34-37
R.H. WINDOW	38-39
OPERATOR CAB (FRONT WINDOW)	40-41
TAILGATE	42-45
UNDERCARRIAGE	46-65
UNDERCARRIAGE	46-47
RECOIL SPRING	48-51
FRONT IDLER	52-55
TRACK ROLLER	56-63
TRACKS	64-65
WORK EQUIPMENT	66-83
ARM & BUCKET LINK	66-67
X-CHANGE	68-69
BOOM	70-71
SWING FRAME	72-73
BLADE	74-75
L.H. CONSOLE	76-79
R.H. CONSOLE	80-81
THROTTLE CONTROL	82-83
CONTROL CONSOLE	84-89
CONTROLS	84-89
HYDRAULIC CIRCUITRY	90-203
HYDRAULIC CIRCUITRY	90-113
MANIFOLD ASSY.	114-117
HYDRAULIC RESERVOIR	118-119
ISO/STD	120-121
SELECTOR VALVE ASSY	122-123
JOYSTICK/PILOT HYDRAULICS	124-125
SWIVEL JOINT	126-127
R.H. JOYSTICK (S/N 2323 12386 & BEL., 2324 12117 AND BEL. & 2324 12128-12129)	128-129
L.H. JOYSTICK (S/N 2323 12386 & BEL., 2324 12117 AND BEL. & 2324 12128-12129)	130-131
R.H. JOYSTICK (S/N 2323 12387 & ABV., 2324 12118-12127 & 12130 & ABV.)	132-133
L.H. JOYSTICK (S/N 2323 12387 & ABV., 2324 12118-12127 & 12130 & ABV.)	134-135
TRAVEL MOTOR	136-139
SWING MOTOR	140-141
MOUNT ASSY.	142-143
CROSSPORT RELIEF VALVE	144-145
CONTROL VALVE	146-149
VALVE SECTION	150-169
CONTROL VALVE (S/N & ABOVE)	170-171
VALVE SECTION	172-191
ARM CYLINDER	192-193
BLADE CYLINDER	194-195
BOOM CYLINDER	196-197
BUCKET CYLINDER	198-199
SWING CYLINDER	200-201
CLAMP CYLINDER	202-203
ELECTRICAL SYSTEMS	204-217
CAB ELECTRICAL	204-205
ELECTRICAL	206-213
STARTER	214-215
ALTERNATOR	216-217

325/328 D-SERIES CONTENTS

POWER UNIT	218-269
ENGINE & ATTACHING PARTS	218-225
ROCKER ARM COVER	226-227
VALVES & ROCKER ARM	228-229
CYLINDER HEAD	230-231
OIL PAN	232-233
GEARCASE	234-235
CRANKCASE	236-237
PISTON & CRANKSHAFT	238-239
CAMSHAFT	240-241
FUEL CAMSHAFT	242-243
GOVERNOR	244-245
SPEED CONTROL PLATE	246-247
WATER PUMP	248-249
ENGINE STOP LEVER	250-251
MANIFOLDS	252-253
WATER FLANGE & THERMOSTAT	254-255
INJECTION PUMP	256-259
INJECTION NOZZLES	260-261
UPPER GASKET KIT	262-263
LOWER GASKET KIT	264-265
AIR CLEANER	266-267
FUEL SYSTEM	268-269
ACCESSORIES & OPTIONS	270-404
AUGER	273-288
AUGER MOUNTING KIT	289-290
HYDRAULIC MOTOR	291-296
BREAKER MOUNTING KIT	297-304
BREAKER MOUNTING PACK	305-306
BLOCK HEATER	307-308
BUCKETS	309-310
CAB LIGHT KIT	311-312
CANOPY ENCLOSURE KIT	313-316
CHARGE KIT	317-320
CLAMP	321-322
COMPACTOR	323-324
COUNTERWEIGHT KIT	325-326
DECALS	327-330
DIRECT TO TANK KIT	331-332
GRAPPLE	333-334
HEATER BOX	335-338
HEATER INSTALLATION	339-340
HEATER KIT	341-344
HYDRA-TILT	345-346
HYDRA-TILT CYLINDER	347-348
HYDRAULIC BREAKER	349-362
HYDRAULIC BREAKER TOOLS	363-366
KEYLESS IGNITION KIT	367-368
LONG ARM KIT	369-370
MOTION ALARM KIT	371-372
POWERTILT	373-376
PURIFIER	377-378
SELECTOR VALVE ASSY	379-380
SPECIAL APPLICATIONS CAB	381-382
SPECIAL APPLICATIONS CANOPY KIT	383-384
STEEL TRACK KIT	385-386
TANK HEATER KIT	387-390
TOP GUARD KIT	391-392
VINYL CAB ENCLOSURE KIT	393-394
WIDE LINK KIT	395-396
X-CHANGE™	397-398
X-CHANGE™ BREAKER MOUNTING KIT	399-402
BULK ITEMS	403-404
NUMERICAL INDEX	405-458
NUMERICAL INDEX	405-458

UPPERSTRUCTURE



PE-1144

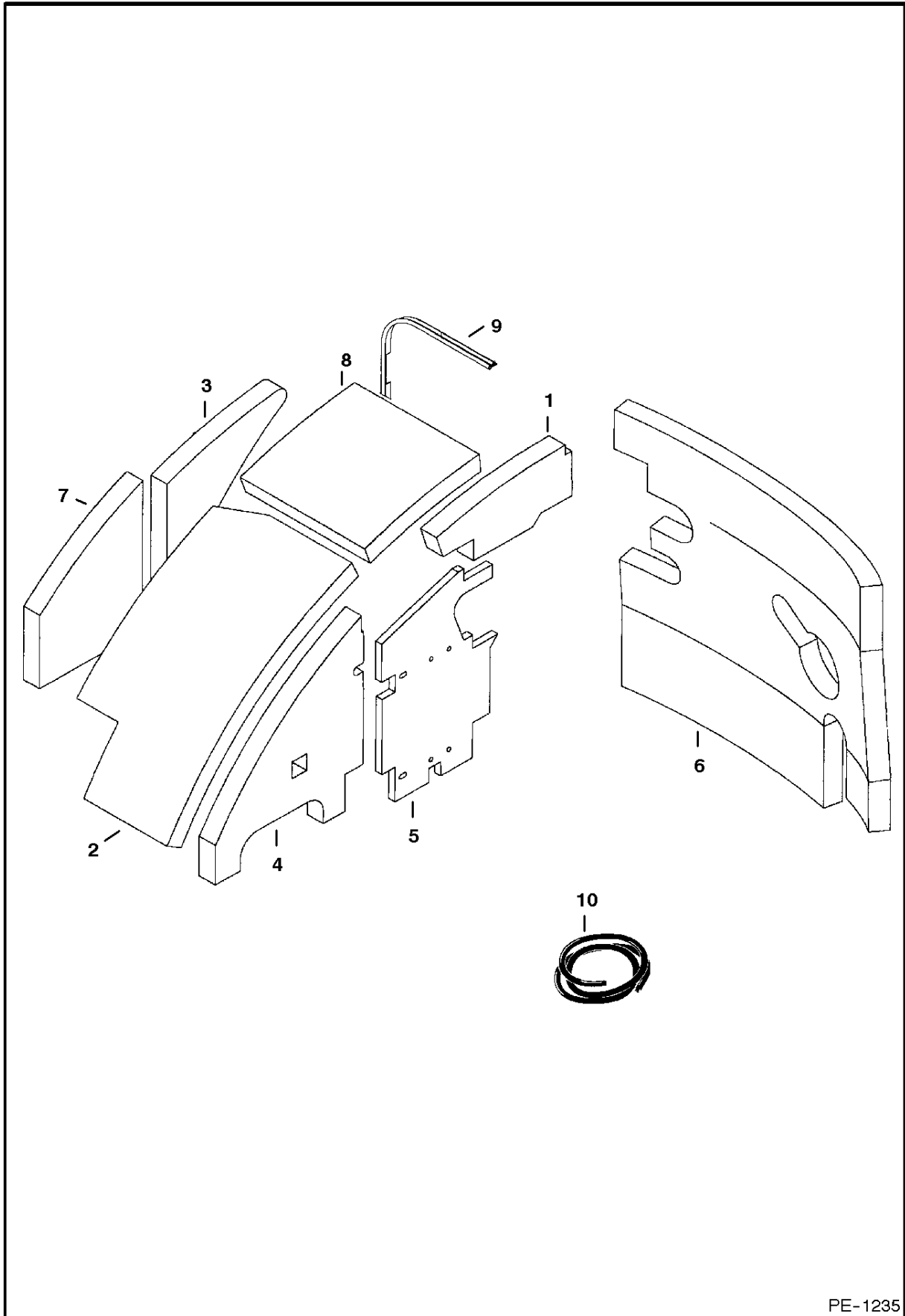
UPPERSTRUCTURE

Ref.N°	Part N°	Description	Remarks	Serial N°	Qty.
1	6655399	BUMPER			1
2	6675687	LATCH	tailgate	2323 11656 & Bel.	1
3	6676341	STRIKER	assy.		1
4	NAP	MOUNT	latch - order 6810655 & Ref. UPPERSTRUCTURE(38), UPPERSTRUCTURE(39) & UPPERSTRUCTURE(40) - Was 6807180 [A]	2323 11614 & Bel.	1
4	6810655	MOUNT	latch	2323 11615 & Abv.	1
5	NAP	*UPPERSTRUCTURE	order 6810128, Refs. UPPERSTRUCTURE(46) - UPPERSTRUCTURE(53) and all parts on page TAILGATE(4) - Was 6807950 [A]	2323 11656 & Bel.	1
5	6810128	UPPERSTRUCTURE(2323 11657 & Bel.01(2324 11446 & Bel.01com3:}H~10{M			x
6	6807956	BUSHING			3
7	6808365	BUMPER			1
8	6808390	INSULATION			1
9	6808472	ROD	tailgate release		1
10	NAP	SEAL	use 35" of Ref. UPPERSTRUCTURE(23)		1
11	NAP	SEAL	use 38" of Ref. UPPERSTRUCTURE(24)		1
12	1CM-630	SCREW			4
13	25E-15	WASHER		2323 11656 & Bel.	1
14	26GM-10020	SCREW	Was 26GM-10030 [B]		3
15	27E-6	WASHER			1
16	29CM-1050	SCREW			1
17	51DM-10	NUT			1
18	61D-5	NUT			1
19	61D-7	NUT			1
20	7CM-1260	SCREW			16
21	7D-4	NUT		2323 11656 & Bel.	1
22	85D-4	NUT		2323 11656 & Bel.	1
23	6675410	SEAL	bulk - sold per foot		x
24	6676396	INSULATION	bulk - sold per foot - Was 6513152 [A]		x
25	6655124	SWING BEARING			1
26	30HJ-512	CLIP	X-Change release bar holder		1
27	30H-57	CLAMP	X-Change release bar holder		1
28	NAP	INSULATION	use 9.1" of Ref. UPPERSTRUCTURE(29)		1
29	6803188	INSULATION	bulk - sold per foot		x
30	26GM-8016	SCREW			2
31	6807074	LEVER	X-Change release		1
32	6560899	WASHER			1
33	6675273	WASHER			1
34	6810133	GROMMET			4
35	6810578	LOUVER			1
36	6809030	SCREW			4
37	6676026	NUT	clip		4
38	17C-640	BOLT		2323 11615 & Abv.	1
39	6719550	TUBE		2323 11615 & Abv.	1
40	55D-6	NUT		2323 11615 & Abv.	1
41	6809064	PLATE	counterweight		1
42	1CM-1630	BOLT	Was 1CM-1665 [B]		4
43	25E-26	WASHER			4
44	26GM-10030	SCREW			3
45	51DM-16	NUT			4
46	6810802	STRIKER	bar	2323 11657 & Abv.	1
47	6678025	LOCK	assy	2323 11657 & Abv.	1

UPPERSTRUCTURE

Ref.N°	Part N°	Description	Remarks	Serial N°	Qty.
47	6709527	KEY		2323 11657 & Abv.	1
48	6809727	CHANNEL		2323 11657 & Abv.	1
49	38C-840	BOLT		2323 11657 & Abv.	1
50	6809726	ROLLER		2323 11657 & Abv.	2
51	6809734	BUSHING		2323 11657 & Abv.	1
52	17C-820	BOLT		2323 11657 & Abv.	2
53	59D-6	NUT		2323 11657 & Abv.	1

INSULATION

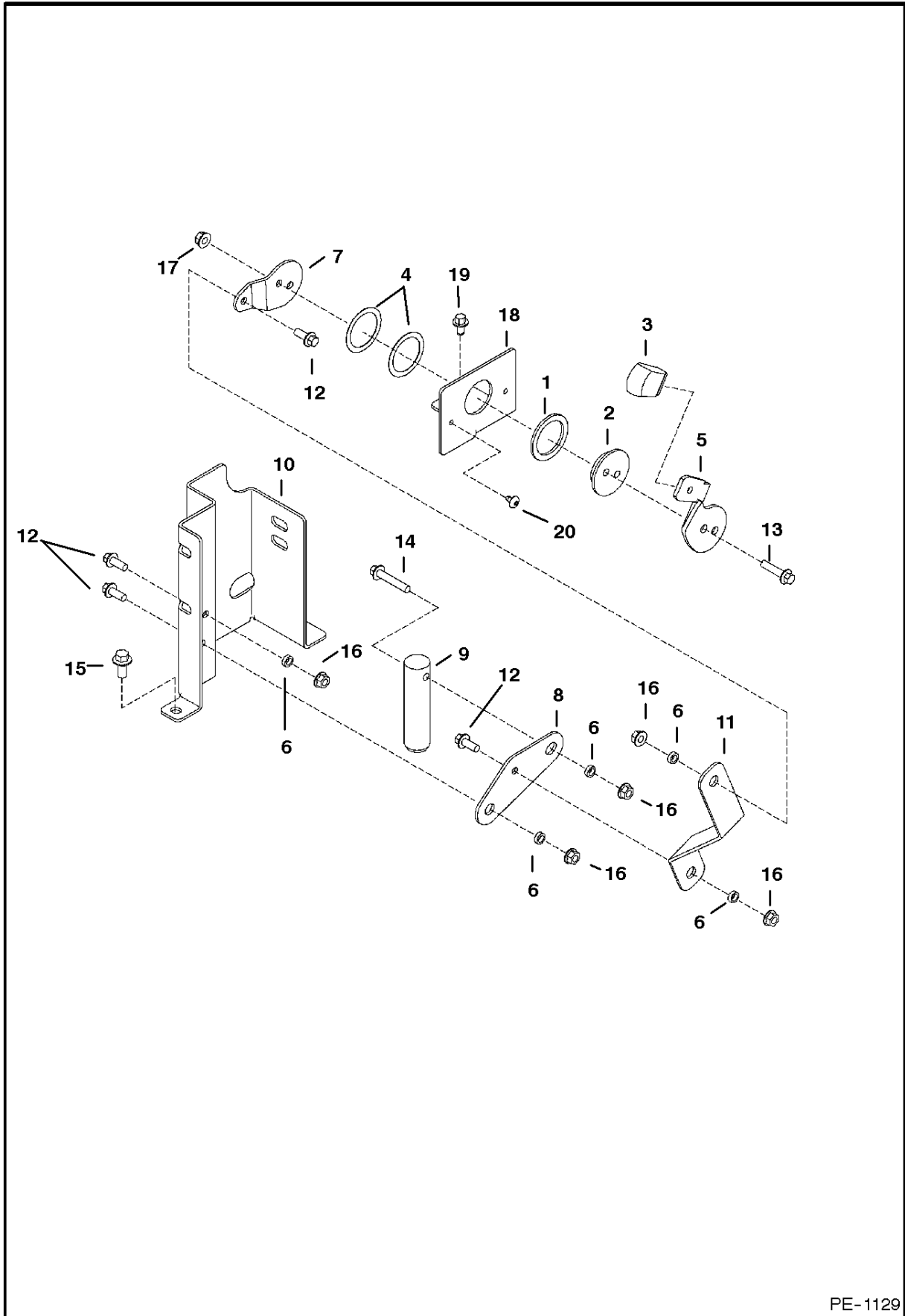


PE-1235

INSULATION

Ref.N°	Part N°	Description	Remarks	Serial N°	Qty.
1	6809239	INSULATION	Was 6808239 [D]		1
2	6808484	INSULATION			1
3	6808485	INSULATION			1
4	6809238	INSULATION			1
5	6809240	INSULATION		& Below	1
5	6811150	INSULATION		& Above	1
6	6809257	INSULATION			1
7	6809269	INSULATION			1
8	6809270	INSULATION			1
9	NAP	INSULATION	use 39.5" of Ref. INSULATION(10)		1
10	6676396	INSULATION	bulk - sold per foot		x

UPPERSTRUCTURE LOCK

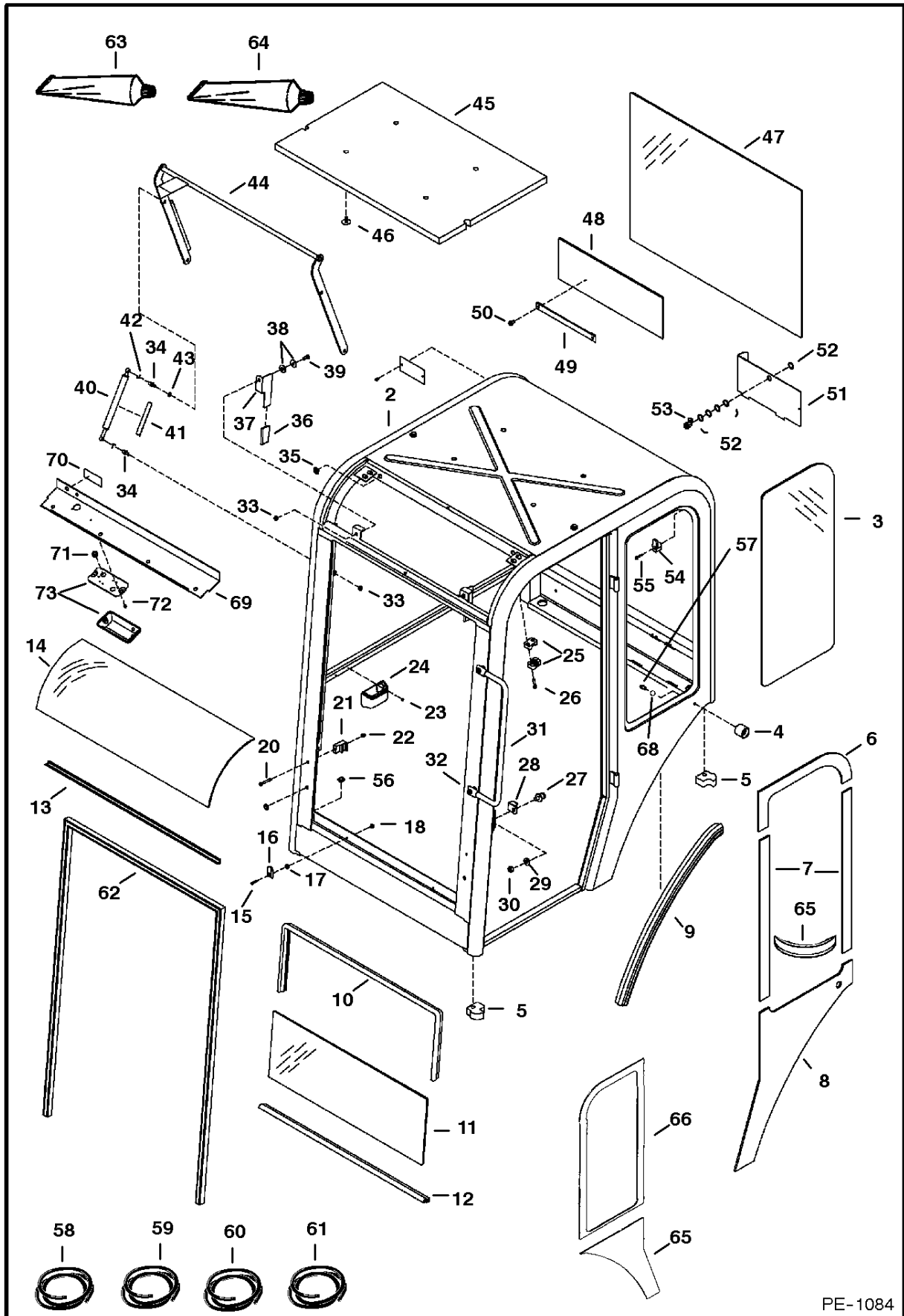


PE-1129

UPPERSTRUCTURE LOCK

Ref.N°	Part N°	Description	Remarks	Serial N°	Qty.
1	6567962	WASHER			1
2	6567963	SPACER			1
3	6586856	KNOB	lever		1
4	6630945	WASHER			2
5	6717393	LEVER	lock		1
6	6807220	SPACER			5
7	6808596	LEVER			1
8	6808597	LEVER			1
9	6808598	PIN			1
10	6808599	BRACKET			1
11	6809086	LINK			1
12	29CM-820	BOLT			4
13	29CM-835	SCREW			2
14	29CM-845	SCREW			1
15	26GM-10020	SCREW	Was 29CM-1020 [D]		2
16	43DM-8	NUT			6
17	51DM-8	NUT			2
18	6809675	BRACKET			1
19	266GM-8016	SCREW			2
20	6589675	SCREW			2

OPERATOR CAB



PE-1084

Buy Now



Our support email:

ebooklibonline@outlook.com