

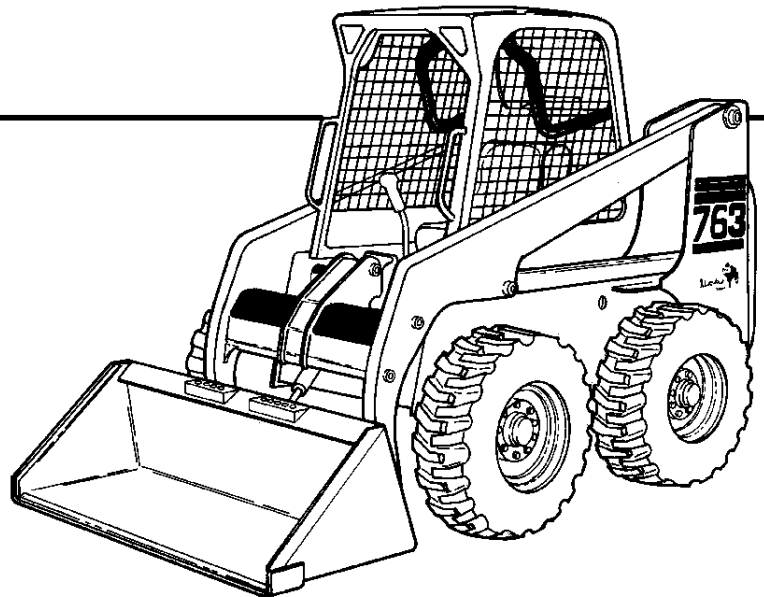
763



Bobcat®

G-SERIES
Parts
Manual

S/N 5122 50001 & ABOVE
S/N 5124 50001 & ABOVE
S/N 5126 20001 & ABOVE



**EQUIPPED WITH
BOBCAT INTERLOCK
CONTROL SYSTEM (BICS™)**



763 G-SERIES ALPHABETICAL INDEX

ADHESIVE	416	INJECTION NOZZLES	258, 260
AIR CLEANER	208	LATCH, REAR DOOR	24, 26
ALTERNATOR	196, 198, 212	LEVER, PINTLE	142
ANTI-FREEZE	416	LIFT ARM	28
BATTERY	168, 172	LIFT KITS	374, 376
BELT, ALTERNATOR	210	LIGHT KIT	378
BELT, COOLING FAN DRIVE	204	LIGHTS, FLASHER	350
BELT, PUMP DRIVE	214	LOCK, REAR DOOR	392
BLACK GOLD	416	LUBRICANT	416
BLOCK HEATER	280	MAIN FRAME	12
BLOWER, WHEEL	204	MANIFOLD	246
BOB-TACH	28, 30	MOTOR, HYDRO.	146
CAB	14, 16	MOUNT, ENGINE	210
CAB DOOR	288, 296	MOUNT, HYDRO. PUMP	210, 216
CAB ENCLOSURE	304	MUFFLER	208
CABLE, BATTERY	168, 172	OIL	416
CAMSHAFT	238, 240	OIL COOLER	140
CAP, FUEL	32	PAINT	416
CAP, HYD. OIL	136	PANEL, INSTRUMENT	164, 166
CAP, RADIATOR	204	PEDALS, CONTROL	76
CHAIN, DRIVE	36	PISTON	236
CHAINCASE	36	POLISH	416
COOLING FAN DRIVE ASSY.	220	PUMP, FUEL	32, 254
COUNTER WEIGHTS	312, 314	PUMP, GEAR	132, 156
CRANKSHAFT	236	PUMP, HYDRO.	148
CYLINDER BLOCK	226	PUMP, INJECTION	254
CYLINDER HEAD	232	PUMP, OIL	226
CYLINDER, LIFT	72, 74	PUMP, WATER	242
CYLINDER, TILT	70	RADIATOR	204
DECALS	316, 318	RIM, WHEEL	412
DIPSTICK, ENG. OIL	234	RING GEAR	214
DOOR, CAB	288, 296	SEAT	20
DOOR, REAR	24, 26	SEALANT	416
DRIVE MOUNT ASSY.	38	SEAT BELT	16, 394, 402
ENGINE	208, 216, 222	SENDER, ENG. TEMP.	168, 172
EXTINGUISHER	346	SENSOR, RPM	168, 172
FILTER, AIR	262	SHOCK CONTROLS	144
FILTER, ENG. OIL	224	SOLENOID	168, 172
FILTER, FUEL	32	SPROCKET, AXLE	36, 44
FILTER, HYD. OIL	140	STARTER	168, 172, 200, 216
FIRE EXTINGUISHER	346	STOP, LIFT ARM	28
FLASHER LIGHTS	350	SWITCH, ENG. OIL PRESS.	168
FUEL SENDER	32	SWITCH, HYD. PRESS.	168, 172
GAS SPRING	14, 288, 296	SWITCH, HYD. TEMP.	168, 172
GASKET KIT, ENG.	222	SWITCH, IGNITION	164, 166
GLOW PLUG	258	TANK, COOLANT	204
GUAGE, ENG. TEMP.	164, 166	TANK, FUEL	32
GUAGE, FUEL	164, 166	THERMOSTAT	244
HARNES, CAB	164, 166	VALVE COVER	228
HARNES, CONTROLS	180	VALVE, HYD. CONTROL 78-86, 94-110	
HARNES, ENGINE	168, 172	VALVE, ENGINE	230
HARNES, HHH	122	VALVE, SELECT	130
HARNES, LIGHTS	378	WINDOW, REAR REMOVAL KIT ..	310
HEAD, CYLINDER	232	WINDOW, REAR	306, 320
HEATER	356, 360	WINDOW, SIDE	306
HORN	372	WIPER, WINDSHIELD	292

763 G-SERIES CONTENTS

MAIN FRAME	12-35
MAIN FRAME	12-13
OPERATOR CAB	14-17
SEAT & SEAT BAR	18-19
SEAT	20-21
PANELS	22-23
REAR DOOR	24-27
LIFT ARMS & BOBTACH	28-29
BOB-TACH	30-31
FUEL SYSTEM	32-35
DRIVE TRAIN	36-45
DRIVE TRAIN	36-37
MOTOR CARRIER	38-39
DISC BRAKE	40-43
AXLE	44-45
HYDRAULIC SYSTEM	46-121
HYDRAULIC CIRCUITRY (W/O BUCKET POSITIONING VALVE)	46-49
* HYDRAULIC CIRCUITRY (W/O BUCKET POSITIONING VALVE)	50-51
HYDRAULIC CIRCUITRY (W/ BUCKET POSITIONING VALVE)	52-55
* HYDRAULIC CIRCUITRY (W/ BUCKET POSITIONING VALVE)	56-59
MANUAL LIFT RELEASE SYSTEM	60-61
* MANUAL LIFT RELEASE SYSTEM	62-63
AUXILIARY HYDRAULICS	64-67
* AUXILIARY HYDRAULICS	68-69
TILT CYLINDER	70-71
LIFT CYLINDER	72-75
CONTROL PEDALS	76-77
HYDRAULIC CONTROL VALVE (BICS COMBO VALVE)	78-85
* HYDRAULIC CONTROL VALVE (BICS COMBO VALVE)	86-93
HYDRAULIC CONTROL VALVE (ADVANCED HAND CONTROL)	94-97
HYDRAULIC CONTROL VALVE (ADVANCED CONTROL SYSTEM)	98-105
* HYDRAULIC CONTROL VALVE (ADVANCED CONTROL SYSTEM)	106-109
HYDRAULIC CONTROL VALVE (SERVICE VALVE) (ACS)	110-113
BICS CONTROL VALVE	114-115
MANUAL LIFT RELEASE VALVE	116-117
PRESSURE RELEASE VALVE	118-119
BUCKET POSITIONING VALVE	120-121
HIGH FLOW HYDRAULICS	122-135
HIGH FLOW HYDRAULICS	122-135
HYDROSTATIC SYSTEM	136-163
HYDROSTATIC CIRCUITRY	136-141
HAND CONTROLS	142-145
HYDROSTATIC MOTOR	146-147
HYDROSTATIC PUMP	148-155
GEAR PUMP	156-157
HYDROSTATIC OIL FILTER	158-163
ELECTRICAL SYSTEM	164-203
CAB ELECTRICAL CIRCUITRY	164-167
ENGINE ELECTRICAL CIRCUITRY	168-175
CONTROLS ELECTRICAL	176-195
ALTERNATOR	196-199
STARTER (NIPPONDENSO)	200-201
* STARTER (VALEO)	202-203

763 G-SERIES CONTENTS (Cont'd)

POWER UNIT	204-263
COOLING SYSTEM	204-207
ENGINE & ATTACHING PARTS	208-217
THROTTLE	218-219
COOLING FAN DRIVE ASSY.	220-221
ENGINE & GASKET KITS	222-223
GEARCASE	224-225
CRANKCASE	226-227
ROCKER ARM COVER	228-229
VALVE ROCKER ARM	230-231
CYLINDER HEAD	232-233
OIL PAN	234-235
PISTON & CRANKSHAFT	236-237
RUEL CAMSHAFT	238-239
CAMSHAFT	240-241
WATER PUMP	242-243
WATER FLANGE & THERMOSTAT	244-245
MANIFOLDS	246-247
ENGINE STOP LEVER	248-249
GOVERNOR	250-251
SPEED CONTROL PLATE	252-253
INJECTION PUMP	254-257
INJECTOR NOZZLES	258-259
INJECTOR HOLDER	260-261
AIR CLEANER	262-263
ACCESSORIES & OPTIONS	267-418
ACS CONVERSION KIT	267-268
ACCESS COVER	269-270
ACCESSORIES HARNESS	271-272
AIR DEFLECTOR KIT	273-274
AXLE SEAL KIT	275-276
BACK-UP ALARM	277-278
BEACON	279-280
BLOCK HEATER	281-282
BOB-TACH LEVERS	283-284
BUCKET POSITIONING VALVE KIT	285-286
* BUCKET POSITIONING VALVE KIT	287-288
CAB DOOR	289-302
CAB ENCLOSURE	303-306
CAB WINDOWS	307-312
COUNTERWEIGHT KIT	313-316
DECALS	317-320
DELUXE CAB	321-324
ELECTRICAL CONTROLS KIT	325-332
ENGINE MOUNT KIT	333-334
EUROPEAN ACCESSORIES	335-346
FIRE EXTINGUISHER	347-348
FOPS KIT	349-350
FLASHER LIGHTS	351-352
HAND CONTROL KIT	353-356
HEATER KIT	357-360
HEATER	361-368
HEATER PLUMBING KIT	369-372
HORN KIT	373-374
LIFT KIT	375-378

763 G-SERIES CONTENTS (Cont'd)

ACCESSORIES & OPTIONS (CONTD)	267-418
LIGHT KIT	379-380
MUFFLER/PURIFIER KIT	381-382
RADIATOR SCREEN KIT	383-384
REAR AUXILIARY	385-390
REAR AUXILIARY VALVE	391-392
REAR DOOR LOCK	393-394
SEAT	395-398
SEAT BELT	399-404
SOUND KIT	405-406
SOUND OPTION	407-408
SOUND REDUCTION HARDHAT	409-410
STROBE LIGHT	411-412
TIRES	413-416
BULK ITEMS	417-418
NUMERICAL INDEX	419-470
NUMERICAL INDEX	419-470

763 G-SERIES CONTENTS

MAIN FRAME	12-35
MAIN FRAME	12-13
OPERATOR CAB	14-17
SEAT & SEAT BAR	18-19
SEAT	20-21
PANELS	22-23
REAR DOOR	24-27
LIFT ARMS & BOBTACH	28-29
BOB-TACH	30-31
FUEL SYSTEM	32-35
DRIVE TRAIN	36-45
DRIVE TRAIN	36-37
MOTOR CARRIER	38-39
DISC BRAKE	40-43
AXLE	44-45
HYDRAULIC SYSTEM	46-121
HYDRAULIC CIRCUITRY (W/O BUCKET POSITIONING VALVE)	46-49
* HYDRAULIC CIRCUITRY (W/O BUCKET POSITIONING VALVE)	50-51
HYDRAULIC CIRCUITRY (W/ BUCKET POSITIONING VALVE)	52-55
* HYDRAULIC CIRCUITRY (W/ BUCKET POSITIONING VALVE)	56-59
MANUAL LIFT RELEASE SYSTEM	60-61
* MANUAL LIFT RELEASE SYSTEM	62-63
AUXILIARY HYDRAULICS	64-67
* AUXILIARY HYDRAULICS	68-69
TILT CYLINDER	70-71
LIFT CYLINDER	72-75
CONTROL PEDALS	76-77
HYDRAULIC CONTROL VALVE (BICS COMBO VALVE)	78-85
* HYDRAULIC CONTROL VALVE (BICS COMBO VALVE)	86-93
HYDRAULIC CONTROL VALVE (ADVANCED HAND CONTROL)	94-97
HYDRAULIC CONTROL VALVE (ADVANCED CONTROL SYSTEM)	98-105
* HYDRAULIC CONTROL VALVE (ADVANCED CONTROL SYSTEM)	106-109
HYDRAULIC CONTROL VALVE (SERVICE VALVE) (ACS)	110-113
BICS CONTROL VALVE	114-115
MANUAL LIFT RELEASE VALVE	116-117
PRESSURE RELEASE VALVE	118-119
BUCKET POSITIONING VALVE	120-121
HIGH FLOW HYDRAULICS	122-135
HIGH FLOW HYDRAULICS	122-135
HYDROSTATIC SYSTEM	136-163
HYDROSTATIC CIRCUITRY	136-141
HAND CONTROLS	142-145
HYDROSTATIC MOTOR	146-147
HYDROSTATIC PUMP	148-155
GEAR PUMP	156-157
HYDROSTATIC OIL FILTER	158-163
ELECTRICAL SYSTEM	164-203
CAB ELECTRICAL CIRCUITRY	164-167
ENGINE ELECTRICAL CIRCUITRY	168-175
CONTROLS ELECTRICAL	176-195
ALTERNATOR	196-199
STARTER (NIPPONDENSO)	200-201
* STARTER (VALEO)	202-203

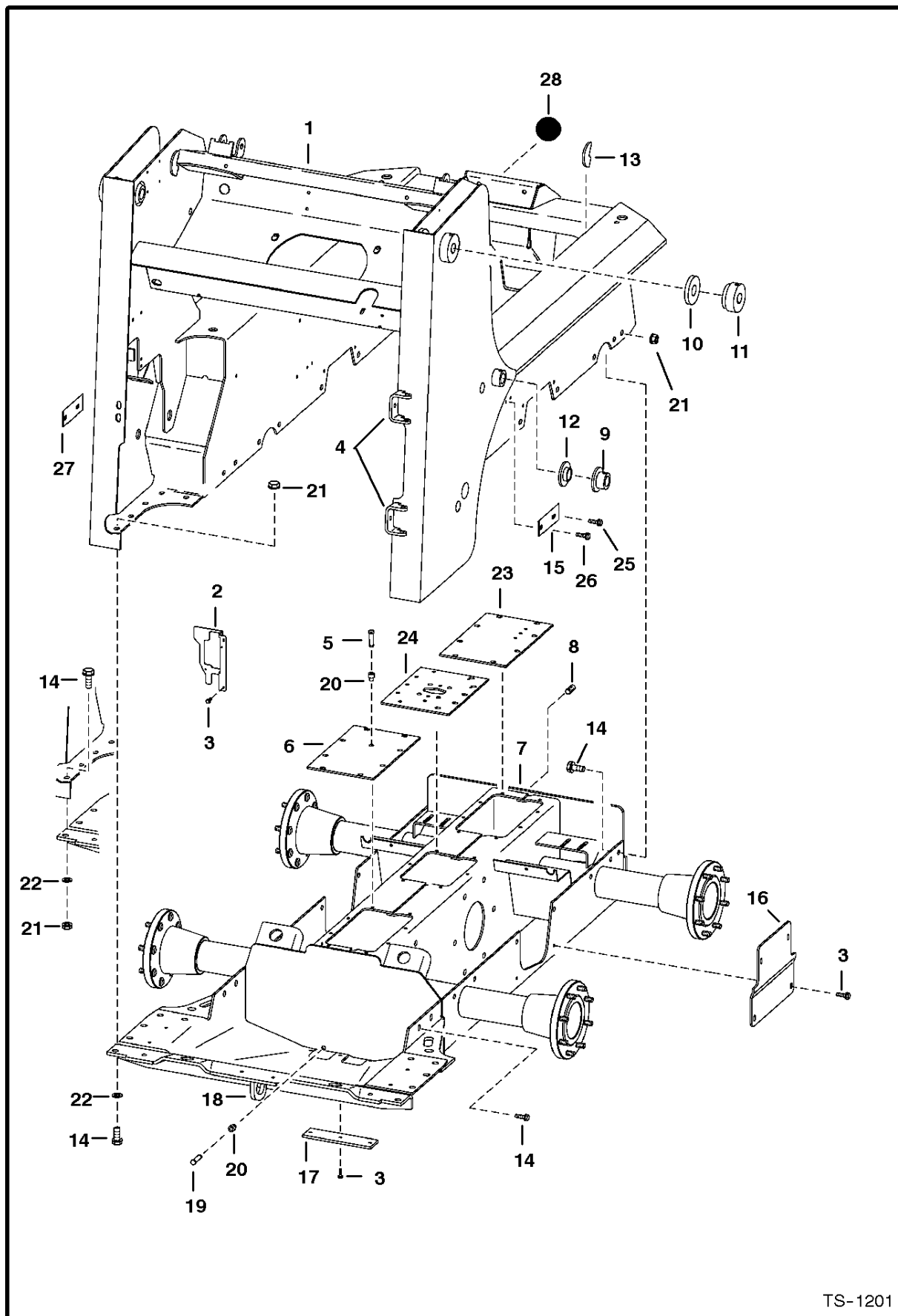
763 G-SERIES CONTENTS (Cont'd)

POWER UNIT	204-263
COOLING SYSTEM	204-207
ENGINE & ATTACHING PARTS	208-217
THROTTLE	218-219
COOLING FAN DRIVE ASSY.	220-221
ENGINE & GASKET KITS	222-223
GEARCASE	224-225
CRANKCASE	226-227
ROCKER ARM COVER	228-229
VALVE ROCKER ARM	230-231
CYLINDER HEAD	232-233
OIL PAN	234-235
PISTON & CRANKSHAFT	236-237
RUEL CAMSHAFT	238-239
CAMSHAFT	240-241
WATER PUMP	242-243
WATER FLANGE & THERMOSTAT	244-245
MANIFOLDS	246-247
ENGINE STOP LEVER	248-249
GOVERNOR	250-251
SPEED CONTROL PLATE	252-253
INJECTION PUMP	254-257
INJECTOR NOZZLES	258-259
INJECTOR HOLDER	260-261
AIR CLEANER	262-263
ACCESSORIES & OPTIONS	267-418
ACS CONVERSION KIT	267-268
ACCESS COVER	269-270
ACCESSORIES HARNESS	271-272
AIR DEFLECTOR KIT	273-274
AXLE SEAL KIT	275-276
BACK-UP ALARM	277-278
BEACON	279-280
BLOCK HEATER	281-282
BOB-TACH LEVERS	283-284
BUCKET POSITIONING VALVE KIT	285-286
* BUCKET POSITIONING VALVE KIT	287-288
CAB DOOR	289-302
CAB ENCLOSURE	303-306
CAB WINDOWS	307-312
COUNTERWEIGHT KIT	313-316
DECALS	317-320
DELUXE CAB	321-324
ELECTRICAL CONTROLS KIT	325-332
ENGINE MOUNT KIT	333-334
EUROPEAN ACCESSORIES	335-346
FIRE EXTINGUISHER	347-348
FOPS KIT	349-350
FLASHER LIGHTS	351-352
HAND CONTROL KIT	353-356
HEATER KIT	357-360
HEATER	361-368
HEATER PLUMBING KIT	369-372
HORN KIT	373-374
LIFT KIT	375-378

763 G-SERIES CONTENTS (Cont'd)

ACCESSORIES & OPTIONS (CONTD)	267-418
LIGHT KIT	379-380
MUFFLER/PURIFIER KIT	381-382
RADIATOR SCREEN KIT	383-384
REAR AUXILIARY	385-390
REAR AUXILIARY VALVE	391-392
REAR DOOR LOCK	393-394
SEAT	395-398
SEAT BELT	399-404
SOUND KIT	405-406
SOUND OPTION	407-408
SOUND REDUCTION HARDHAT	409-410
STROBE LIGHT	411-412
TIRES	413-416
BULK ITEMS	417-418
NUMERICAL INDEX	419-470
NUMERICAL INDEX	419-470

MAIN FRAME

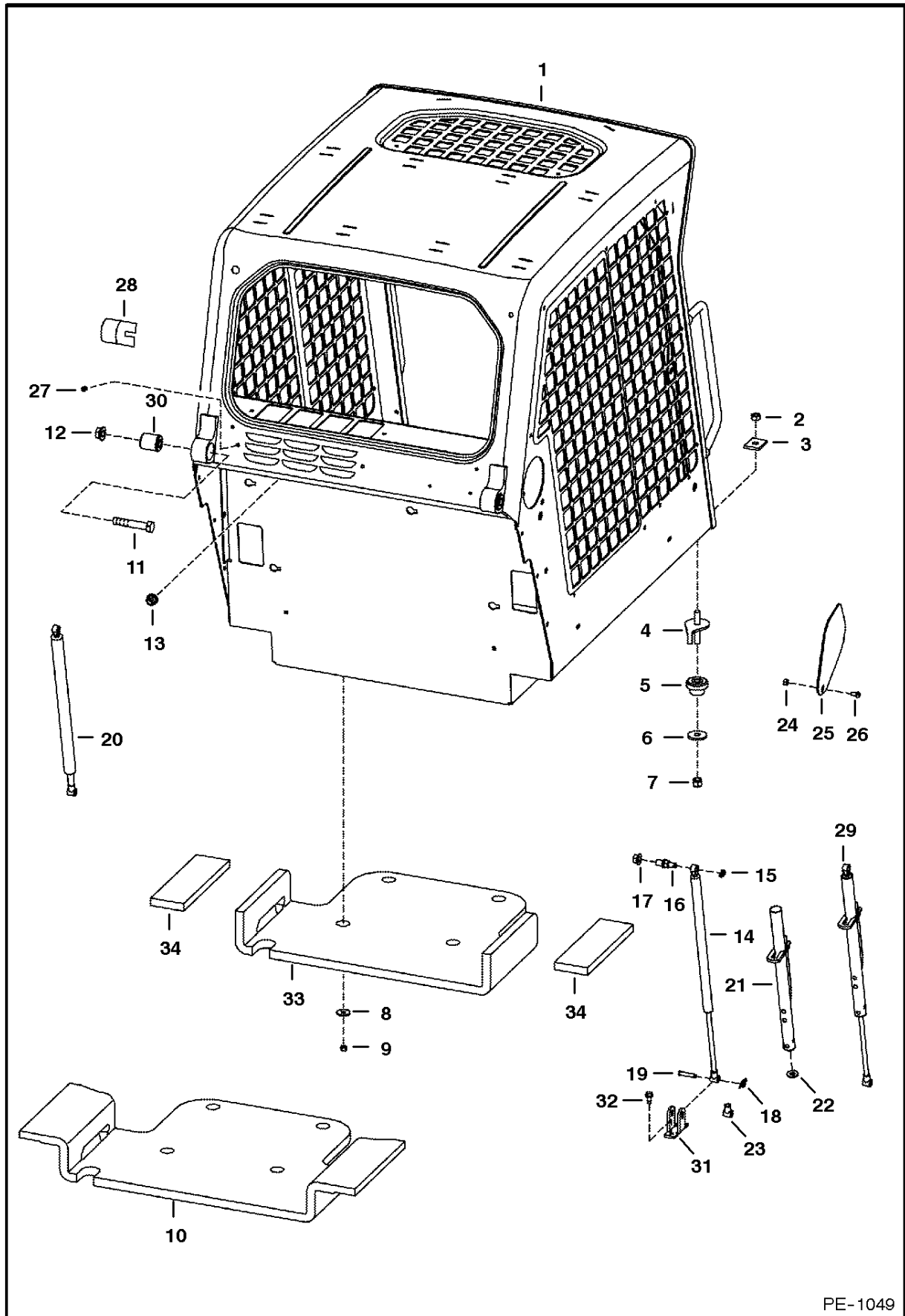


TS-1201

MAIN FRAME

Ref.N°	Part N°	Description	Remarks	Serial N°	Qty.
1	6714591	MAIN FRAME			1
2	6731060	SHIELD	See Page ENGINE & ATTACHING PARTS(1) - Was 6717812 [A]		1
3	84G-3712	BOLT			10
4	6708987	BRACKET	hinge - weld on		2
5	6670627	BREATHER	See Page DISC BRAKE(1)		2
6	6700330	COVER	See Page DISC BRAKE(1)		1
7	6712826	CHAINCASE			1
8	6731121	PLUG	chaincase fill - Was 11F-12 [A]		1
9	6705047	BUSHING	weld on		2
10	6702409	BUSHING	weld on		2
11	6702959	BUSHING	weld on		2
12	NAP	BUSHING	weld on -Order 6725210inD1} Bushing - Was 6707494 [A]	5122 51193 & Bel	2
12				5124 50061 & Bel	2
12				5126 20134 & Bel	2
12	6725210	BUSHING		5122 51194 & Abv	2
12				5124 50062 & Abv	2
12				5126 20135 & Abv	2
13	6707515	BRACE	frame - weld on		2
14	31C-820	BOLT			28
15	6704680	COVER	See Page HYDROSTATIC CIRCUITRY(1)	& Bel	1
16	6704695	COVER			2
17	6700182	COVER			1
18	6706485	HOOK	tie down - front & back -weld on		2
19	6599645	PLUG	chaincase drain		1
20	6553411	BUSHING			2
21	83D-8	NUT			28
22	6701097	WASHER			10
23	6578505	COVER	See Page DISC BRAKE(1)		1
24	6706042	COVER	See Page DISC BRAKE(1)		1
25	84G-3110	BOLT	R.H. side	& Bel	1
25	84G-3112	BOLT	L.H. side	& Bel	1
25	84G-3710	BOLT		& Abv	1
26	17C-620	BOLT	Was 6717378 [A]		2
27	6727837	COVER		& Abv	1
28	6718796	PLUG			1

OPERATOR CAB

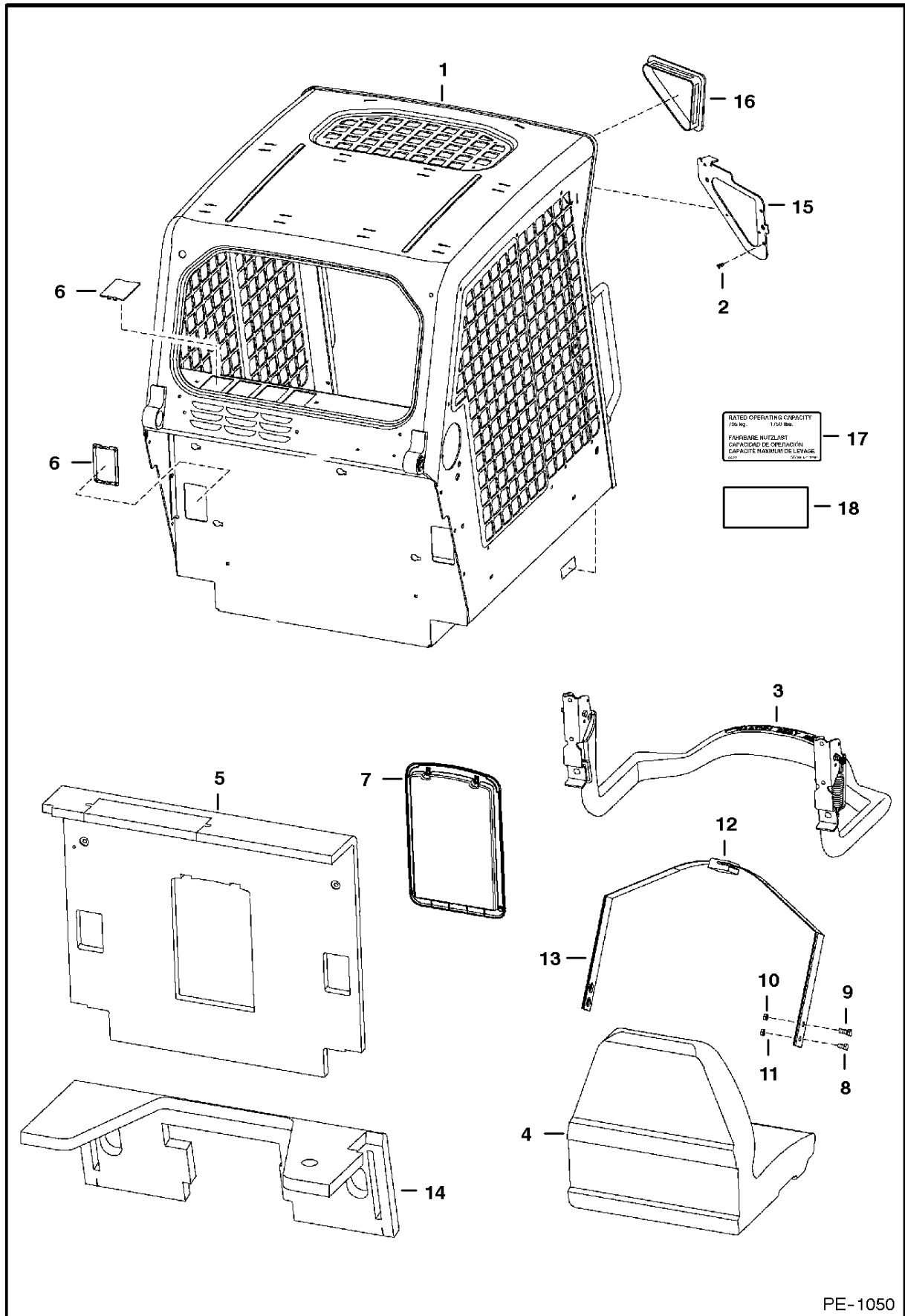


PE-1049

OPERATOR CAB

Ref.N°	Part N°	Description	Remarks	Serial N°	Qty.
1	6719672	OPERATOR CAB	includes cab decals		1
2	59D-8	NUT			2
3	6553709	WASHER	rectangular		2
4	6702971	BOLT			2
5	6560633	MOUNT			2
6	6515817	WASHER			2
7	85D-8	NUT			2
8	619021	WASHER			4
9	59D-5	NUT			4
10	NAP	INSULATION	Order Ref. OPERATOR CAB(33) & (2) of Ref. OPERATOR CAB(34) - Was 6719360 [A]		1
11	17C-1056	BOLT			2
12	53D-10	NUT			2
13	53D-6	NUT			4
14	6675135	GAS SPRING	R.H.		1
15	6675140	SNAP RING			2
16	6719064	MOUNT	Was 6719005 [A]		2
17	83D-8	NUT			2
18	6631418	PIN	ring		2
19	6567743	PIN			2
20	6675134	GAS SPRING	L.H.		1
20	6675136	GAS SPRING	L.H. - heavy duty		1
21	6708189	TUBE	stop - L.H.		1
22	6701174	WASHER			1
23	6675257	ROD END			1
24	95D-5	NUT			2
25	6718784	COVER			2
26	25G-512	BOLT	Was 25G-510 [B]		2
27	6675033	INSERT			2
28	6579613	STOP			2
29	NAP	GAS SPRING	R.H. - W/latch - Order Ref. OPERATOR CAB(14) & OPERATOR CAB(21)-OPERATOR CAB(23) - Was 6719072 [A]		1
30	6562602	BUSHING			2
31	6706349	MOUNT	gas spring		2
32	84G-3112	BOLT			4
33	6729013	INSULATION	seat pan		1
34	6729012	INSULATION	seat pan		2

OPERATOR CAB



PE-1050

Thank you so much for reading.
Please click the “Buy Now!”
button below to download the
complete manual.



After you pay.

You can download the most
perfect and complete manual in
the world immediately.

Our support email:

ebooklibonline@outlook.com