

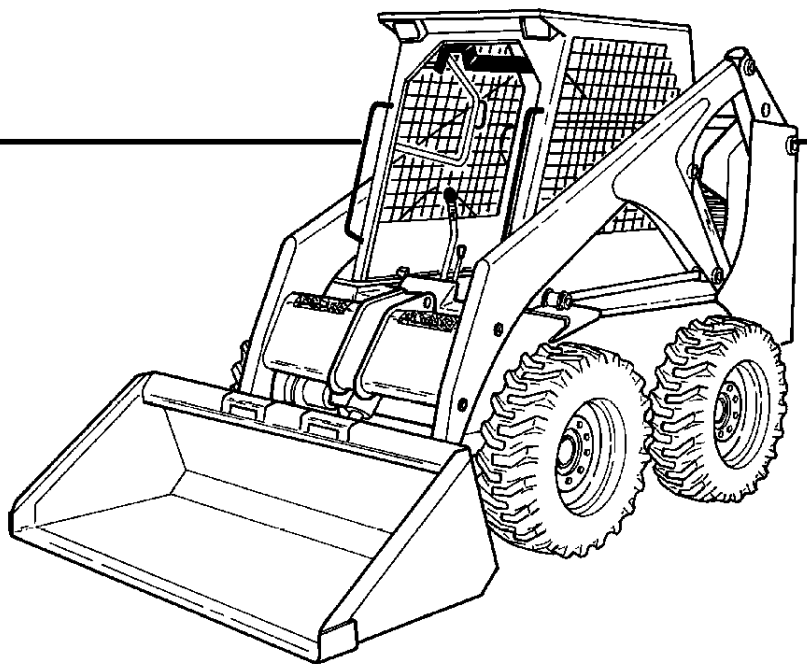
**773**



**Bobcat®**

# Parts Manual

**S/N 5096 35001 & Above  
S/N 5096 16001 - 34999**



**EQUIPPED WITH  
BOBCAT INTERLOCK  
CONTROL SYSTEM (BICS™)**

6724065 (6-00) Revised (7-01)



Printed in U.S.A.

© Bobcat Company 2001

## 773 ALPHABETICAL INDEX

ADHESIVE .....	408	LATCH, REAR DOOR .....	28, 30
AIR CLEANER .....	204	LEVER, PINTLE .....	134
ALTERNATOR .....	192, 212	LIFT ARM .....	32
ANTI-FREEZE .....	408	LIFT KITS .....	349
BATTERY .....	172, 180	LIGHT .....	168, 178
BEACON .....	255	LIGHTS, FLASHER .....	316
BELT, ALTERNATOR .....	212	LIGHTS, FRONT & REAR .....	352
BELT, COOLING FAN DRIVE ASSY. ....	200	LOCK, REAR DOOR .....	377, 378
BELT, PUMP DRIVE .....	206	LUBRICANT .....	408
BLACK GOLD .....	408	MAIN FRAME .....	12
BLOCK HEATER .....	256	MANIFOLD .....	235
BLOWER, WHEEL .....	200	MOUNT, ENGINE .....	212
BOB-TACH .....	34, 36	MOUNT, HYDRO. PUMP .....	206, 212
BOSS UNIT .....	180	MUFFLER .....	204
CAB .....	14	OIL .....	408
CAB ENCLOSURE .....	277	OIL COOLER .....	132
CABLE, BATTERY .....	172, 180	PAINT .....	408
CAMSHAFT .....	231, 232	PANEL, INSTRUMENT .....	164, 168
CAP, FUEL .....	38	PEDALS, CONTROL .....	81
CAP, HYD. OIL .....	124, 128	PISTON .....	230
CAP, RADIATOR .....	200	POLISH .....	408
CHAIN, DRIVE .....	41, 42	PUMP, FUEL .....	38, 239
CHAINCASE .....	12	PUMP, GEAR .....	157
COOLING FAN DRIVE ASSY. ....	218	PUMP, HYDRO. ....	150, 154
COUNTER WEIGHTS .....	283-286	PUMP, INJECTION .....	239, 240
CRANKSHAFT .....	230	PUMP, OIL .....	224
CYLINDER BLOCK .....	223	PUMP, WATER .....	233
CYLINDER, LIFT . 34, 52, 56, 60, 64, 79		QUICK COUPLERS .....	72, 320-326
CYLINDER, TILT . 34, 52, 56, 60, 64, 76		RADIATOR .....	200
DIPSTICK, ENG. OIL .....	228	RIM, WHEEL .....	403
DISPLAY, LCD .....	168	RING GEAR .....	208
DOOR, CAB .....	268	SEALANT .....	408
DOOR, REAR .....	28, 30	SEAT .....	18, 384, 386, 388
DRIVE MOUNT ASSY. ....	43, 44	SEAT BELT .....	18, 393
ENGINE .....	204, 208, 220	SENSOR, ENG. OIL PRESS. ....	178
FILTER, AIR .....	243	SENSOR, ENG. TEMP. ....	178
FILTER, ENG. OIL .....	221	SENSOR, HYDRO TEMP. ....	178
FILTER, FUEL .....	38	SHOCK CONTROLS .....	134
FILTER, HYD. OIL .....	132	SOLENOID .....	172, 178
FIRE EXTINGUISHER .....	315	SPROCKET, AXLE .....	41, 42, 49
FUEL SENDER .....	38	STARTER .....	172, 180, 194, 196, 208
GAS SPRING .....	14, 266	STROBE LIGHT .....	401, 402
GASKET KIT, ENG. ....	220	SWITCH, AUX. CONTROLS .....	168
GAUGE, ENG. TEMP. ....	164	SWITCH, GLOW PLUG .....	166
GAUGE, FUEL .....	164	SWITCH, IGNITION .....	164, 168
GLOW PLUG .....	241	SWITCH, LIGHT .....	168
HARNESS, CAB .....	164, 168	TANK, COOLANT .....	202
HARNESS, CONTROLS .....	186	TANK, FUEL .....	38
HARNESS, ENGINE .....	172, 178	THERMOSTAT .....	234
HARNESS, LIGHTS .....	178, 350	TIRES .....	403
HEAD, CYLINDER .....	227	VALVE COVER .....	225
HEATER .....	342, 343	VALVE, CONTROL .....	72, 74, 84-114
HOOD, ENGINE .....	28, 204	VALVE, ENGINE .....	226
HORN .....	345	VOLTMETER .....	164
HOURMETER .....	166, 346	WINDOW, REAR .....	14, 280
INJECTION NOZZLES .....	241, 242	WINDOW, SIDE .....	280
		WINDSHIELD WIPER .....	268, 380

## 773 CONTENTS

<b>MAIN FRAME</b> .....	<b>12-43</b>
MAIN FRAME .....	12-13
OPERATOR CAB .....	14-17
SEAT & SEAT BAR .....	18-23
SEAT .....	24-27
PANELS .....	28-29
REAR DOOR .....	30-31
LIFT ARMS & BOBTACH .....	32-37
BOB-TACH .....	38-39
FUEL SYSTEM .....	40-43
<b>DRIVE TRAIN</b> .....	<b>44-57</b>
DRIVE TRAIN .....	44-47
MOTOR CARRIER .....	48-51
DISC BRAKE .....	52-55
AXLE .....	56-57
<b>HYDRAULIC SYSTEM</b> .....	<b>58-133</b>
HYDRAULIC CIRCUITRY .....	58-73
LIFT & TILT CONTROL SYSTEM .....	74-75
MANUAL LIFT RELEASE SYSTEM .....	76-77
AUXILIARY HYDRAULICS .....	78-81
TILT CYLINDER .....	82-85
LIFT CYLINDER .....	86-87
CONTROL PEDALS .....	88-89
HYDRAULIC CONTROL VALVE .....	90-101
HYDRAULIC CONTROL VALVE (SERVICE VALVE) .....	102-105
HYDRAULIC CONTROL VALVE (W/BICS VALVE) .....	106-111
* HYDRAULIC CONTROL VALVE (SERVICE VALVE) (W/BICS CONTROL VALVE) .....	112-115
HYDRAULIC CONTROL VALVE (ADVANCED HAND CONTROLS) .....	116-119
* HYDRAULIC CONTROL VALVE (SERVICE VALVE) (ADVANCED HAND CONTROLS) ...	120-123
BICS CONTROL VALVE .....	124-125
TILT LOCK VALVE .....	126-127
LIFT LOCK VALVE .....	128-129
MANUAL LIFT RELEASE VALVE .....	130-131
BUCKET POSITIONING VALVE .....	132-133
<b>HYDROSTATIC SYSTEM</b> .....	<b>134-177</b>
HYDROSTATIC CIRCUITRY .....	134-143
HAND CONTROLS .....	144-147
HYDROSTATIC MOTOR .....	148-151
HYDROSTATIC PUMP .....	152-167
GEAR PUMP .....	168-171
HYDROSTATIC OIL FILTER .....	172-177
<b>ELECTRICAL SYSTEM</b> .....	<b>178-213</b>
CAB ELECTRICAL CIRCUITRY .....	178-185
ENGINE ELECTRICAL CIRCUITRY .....	186-199
CONTROLS ELECTRICAL .....	200-205
ALTERNATOR .....	206-207
STARTER .....	208-211
STARTER KIT .....	212-213
<b>POWER UNIT</b> .....	<b>214-275</b>
COOLING SYSTEM .....	214-217
ENGINE & ATTACHING PARTS .....	218-229
THROTTLE .....	230-231
COOLING FAN DRIVE ASSY. ....	232-233
ENGINE & GASKET KITS .....	234-235

## 773 CONTENTS (Cont'd)

<b>POWER UNIT (CONT'D)</b> .....	<b>214-275</b>
GEARCASE .....	236-237
CRANKCASE .....	238-239
ROCKER ARM COVER .....	240-241
VALVE ROCKER ARM .....	242-243
CYLINDER HEAD .....	244-245
OIL PAN .....	246-247
PISTON & CRANKSHAFT .....	248-249
FUEL CAMSHAFT .....	250-251
CAMSHAFT .....	252-253
WATER PUMP .....	254-255
WATER FLANGE & THERMOSTAT .....	256-257
MANIFOLDS .....	258-259
ENGINE STOP LEVER .....	260-261
GOVERNOR .....	262-263
SPEED CONTROL PLATE .....	264-265
INJECTION PUMP .....	266-269
INJECTOR NOZZLES .....	270-271
INJECTOR HOLDER .....	272-273
AIR CLEANER .....	274-275
<b>ACCESSORIES &amp; OPTIONS</b> .....	<b>279-490</b>
ACCESS COVER .....	279-282
AIR DEFLECTOR KIT .....	283-284
AXLE SEAL KIT .....	285-286
BACK-UP ALARM .....	287-290
BEACON LIGHT .....	291-292
BLOCK HEATER .....	293-294
BOB-TACH LEVERS .....	295-296
BUCKET POSITIONING VALVE KIT .....	297-300
BUCKET POSITION ON-OFF KIT .....	301-302
BUMPERS .....	303-304
CAB DOOR .....	305-312
CAB ENCLOSURE .....	313-318
CAB WINDOWS .....	319-320
CLOSED ALTERNATOR .....	321-322
COUNTERWEIGHT KIT .....	323-330
DECALS .....	331-334
ELECTRICAL CONTROLS KIT .....	335-338
ENGINE MOUNT KIT .....	339-340
EXPORT ACCESSORIES .....	341-362
FIRE EXTINGUISHER .....	363-364
FLASHER LIGHTS .....	365-368
FRONT AUXILIARY KIT .....	369-376
HAND CONTROL KIT .....	377-380
* HAND CONTROL KIT (W/PUSH BUTTON FLOAT) .....	381-384
HANDLE KITS .....	385-386
HEATER KIT (FRESH AIR) .....	387-390
HEATER (FRESH AIR) .....	391-394
HEATER PLUMBING KIT (FRESH AIR) .....	395-396
HEATER KIT .....	397-398
HEATER .....	399-400
HEATER PLUMBING KIT .....	401-402
HORN KIT .....	403-404
HOURMETER KIT .....	405-406
INSECT SCREEN KIT .....	407-408

## 773 CONTENTS (Cont'd)

<b>ACCESSORIES &amp; OPTIONS (CONT'D)</b> .....	<b>279-490</b>
KEYLESS IGNITION .....	409-410
LIFT KIT .....	411-412
LIGHT KIT .....	413-416
MUFFLER/PURIFIER KIT .....	417-418
PRESSURE RELEASE KIT .....	419-420
PRESSURE RELEASE VALVE .....	421-422
PUSH TO OPERATE KIT .....	423-426
RADIATOR SCREEN KIT .....	427-428
REAR AUXILIARY .....	429-440
REAR AUXILIARY VALVE .....	441-444
REAR DOOR LOCK .....	445-448
REAR WIPER KIT .....	449-450
RENTAL KIT .....	451-452
SEAT .....	453-458
SEAT BAR KIT .....	459-462
SEAT BELT .....	463-464
SEAT KIT .....	465-466
SEAT RAIL COVER KIT .....	467-468
SEAT SENSOR OVERRIDE .....	469-472
SIDE CONSOLE KIT .....	473-474
SOUND KIT .....	475-476
SOUND REDUCTION HARDHAT .....	477-478
STROBE LIGHT .....	479-482
TIRES & RIMS .....	483-486
TOOL BOX .....	487-488
BULK ITEMS .....	489-490
<b>NUMERICAL INDEX</b> .....	<b>491-554</b>
NUMERICAL INDEX .....	491-554

## 773 CONTENTS

<b>MAIN FRAME</b> .....	<b>12-43</b>
MAIN FRAME .....	12-13
OPERATOR CAB .....	14-17
SEAT & SEAT BAR .....	18-23
SEAT .....	24-27
PANELS .....	28-29
REAR DOOR .....	630-31
LIFT ARMS & BOBTACH .....	32-37
BOB-TACH .....	38-39
FUEL SYSTEM .....	40-43
<b>DRIVE TRAIN</b> .....	<b>44-57</b>
DRIVE TRAIN .....	44-47
MOTOR CARRIER .....	48-51
DISC BRAKE .....	52-55
AXLE .....	56-57
<b>HYDRAULIC SYSTEM</b> .....	<b>58-133</b>
HYDRAULIC CIRCUITRY .....	58-73
LIFT & TILT CONTROL SYSTEM .....	74-75
MANUAL LIFT RELEASE SYSTEM .....	76-77
AUXILIARY HYDRAULICS .....	78-81
TILT CYLINDER .....	82-85
LIFT CYLINDER .....	86-87
CONTROL PEDALS .....	88-89
HYDRAULIC CONTROL VALVE .....	90-101
HYDRAULIC CONTROL VALVE (SERVICE VALVE) .....	102-105
HYDRAULIC CONTROL VALVE (W/BICS VALVE) .....	106-111
* HYDRAULIC CONTROL VALVE (SERVICE VALVE) (W/BICS CONTROL VALVE) .....	112-115
HYDRAULIC CONTROL VALVE (ADVANCED HAND CONTROLS) .....	116-119
* HYDRAULIC CONTROL VALVE (SERVICE VALVE) (ADVANCED HAND CONTROLS) ...	120-123
BICS CONTROL VALVE .....	124-125
TILT LOCK VALVE .....	126-127
LIFT LOCK VALVE .....	128-129
MANUAL LIFT RELEASE VALVE .....	130-131
BUCKET POSITIONING VALVE .....	132-133
<b>HYDROSTATIC SYSTEM</b> .....	<b>134-177</b>
HYDROSTATIC CIRCUITRY .....	134-143
HAND CONTROLS .....	144-147
HYDROSTATIC MOTOR .....	148-151
HYDROSTATIC PUMP .....	152-167
GEAR PUMP .....	168-171
HYDROSTATIC OIL FILTER .....	172-177
<b>ELECTRICAL SYSTEM</b> .....	<b>178-213</b>
CAB ELECTRICAL CIRCUITRY .....	178-185
ENGINE ELECTRICAL CIRCUITRY .....	186-199
CONTROLS ELECTRICAL .....	200-205
ALTERNATOR .....	206-207
STARTER .....	208-211
STARTER KIT .....	212-213
<b>POWER UNIT</b> .....	<b>214-275</b>
COOLING SYSTEM .....	214-217
ENGINE & ATTACHING PARTS .....	218-229
THROTTLE .....	230-231
COOLING FAN DRIVE ASSY. ....	232-233
ENGINE & GASKET KITS .....	234-235

## 773 CONTENTS (Cont'd)

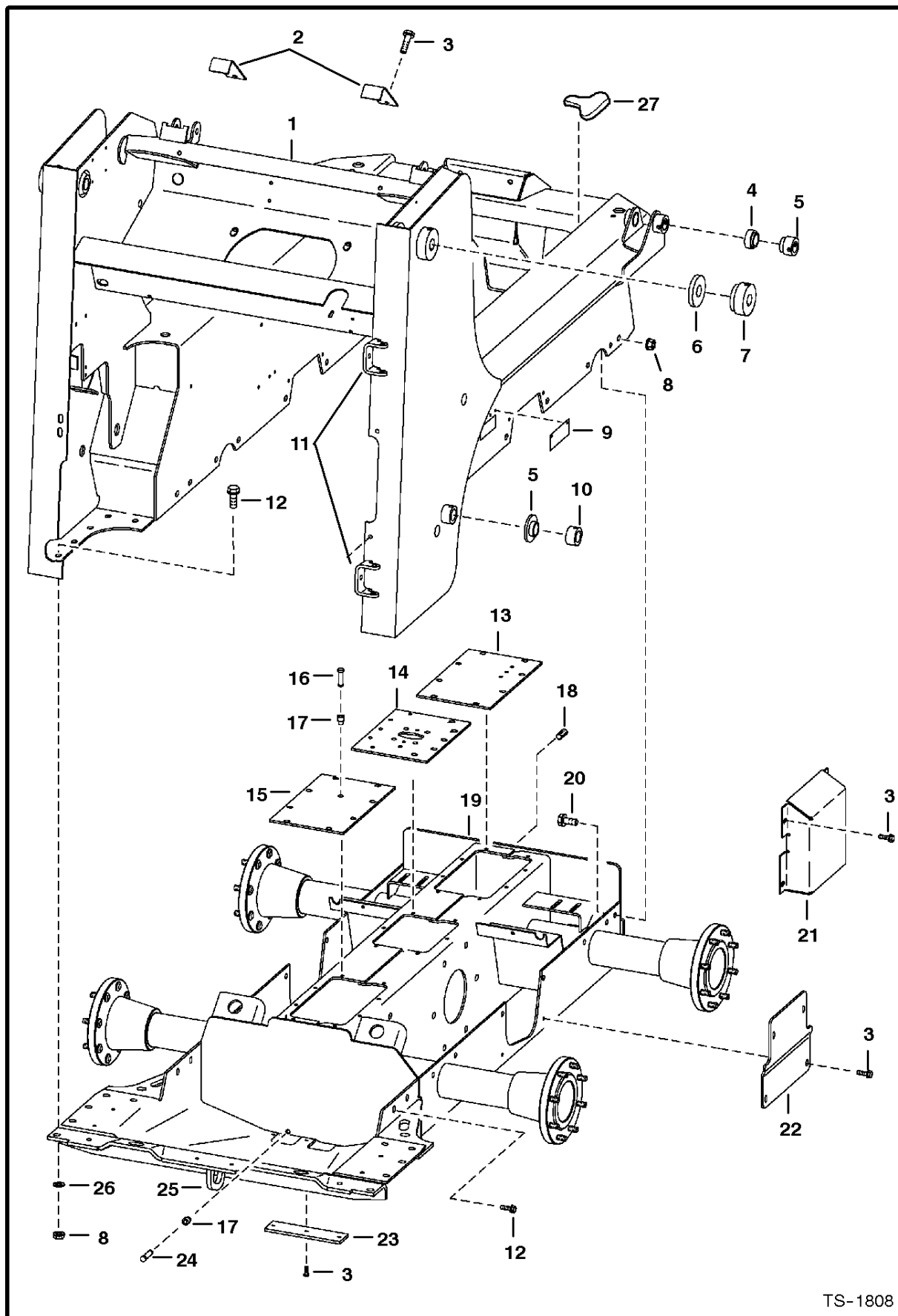
<b>POWER UNIT (CONT'D)</b> .....	<b>214-275</b>
GEARCASE .....	236-237
CRANKCASE .....	238-239
ROCKER ARM COVER .....	240-241
VALVE ROCKER ARM .....	242-243
CYLINDER HEAD .....	244-245
OIL PAN .....	246-247
PISTON & CRANKSHAFT .....	248-249
FUEL CAMSHAFT .....	250-251
CAMSHAFT .....	252-253
WATER PUMP .....	254-255
WATER FLANGE & THERMOSTAT .....	256-257
MANIFOLDS .....	258-259
ENGINE STOP LEVER .....	260-261
GOVERNOR .....	262-263
SPEED CONTROL PLATE .....	264-265
INJECTION PUMP .....	266-269
INJECTOR NOZZLES .....	270-271
INJECTOR HOLDER .....	272-273
AIR CLEANER .....	274-275
<b>ACCESSORIES &amp; OPTIONS</b> .....	<b>279-490</b>
ACCESS COVER .....	279-282
AIR DEFLECTOR KIT .....	283-284
AXLE SEAL KIT .....	285-286
BACK-UP ALARM .....	287-290
BEACON LIGHT .....	291-292
BLOCK HEATER .....	293-294
BOB-TACH LEVERS .....	295-296
BUCKET POSITIONING VALVE KIT .....	297-300
BUCKET POSITION ON-OFF KIT .....	301-302
BUMPERS .....	303-304
CAB DOOR .....	305-312
CAB ENCLOSURE .....	313-318
CAB WINDOWS .....	319-320
CLOSED ALTERNATOR .....	321-322
COUNTERWEIGHT KIT .....	323-330
DECALS .....	331-334
ELECTRICAL CONTROLS KIT .....	335-338
ENGINE MOUNT KIT .....	339-340
EXPORT ACCESSORIES .....	341-362
FIRE EXTINGUISHER .....	363-364
FLASHER LIGHTS .....	365-368
FRONT AUXILIARY KIT .....	369-376
HAND CONTROL KIT .....	377-380
* HAND CONTROL KIT (W/PUSH BUTTON FLOAT) .....	381-384
HANDLE KITS .....	385-386
HEATER KIT (FRESH AIR) .....	387-390
HEATER (FRESH AIR) .....	391-394
HEATER PLUMBING KIT (FRESH AIR) .....	395-396
HEATER KIT .....	397-398
HEATER .....	399-400
HEATER PLUMBING KIT .....	401-402
HORN KIT .....	403-404
HOURMETER KIT .....	405-406
INSECT SCREEN KIT .....	407-408

## 773 CONTENTS (Cont'd)

<b>ACCESSORIES &amp; OPTIONS (CONT'D)</b> .....	<b>279-490</b>
KEYLESS IGNITION .....	409-410
LIFT KIT .....	411-412
LIGHT KIT .....	413-416
MUFFLER/PURIFIER KIT .....	417-418
PRESSURE RELEASE KIT .....	419-420
PRESSURE RELEASE VALVE .....	421-422
PUSH TO OPERATE KIT .....	423-426
RADIATOR SCREEN KIT .....	427-428
REAR AUXILIARY .....	429-440
REAR AUXILIARY VALVE .....	441-444
REAR DOOR LOCK .....	445-448
REAR WIPER KIT .....	449-450
RENTAL KIT .....	451-452
SEAT .....	453-458
SEAT BAR KIT .....	459-462
SEAT BELT .....	463-464
SEAT KIT .....	465-466
SEAT RAIL COVER KIT .....	467-468
SEAT SENSOR OVERRIDE .....	469-472
SIDE CONSOLE KIT .....	473-474
SOUND KIT .....	475-476
SOUND REDUCTION HARDHAT .....	477-478
STROBE LIGHT .....	479-482
TIRES & RIMS .....	483-486
TOOL BOX .....	487-488
BULK ITEMS .....	489-490
<b>NUMERICAL INDEX</b> .....	<b>491-554</b>
NUMERICAL INDEX .....	491-554



# MAIN FRAME



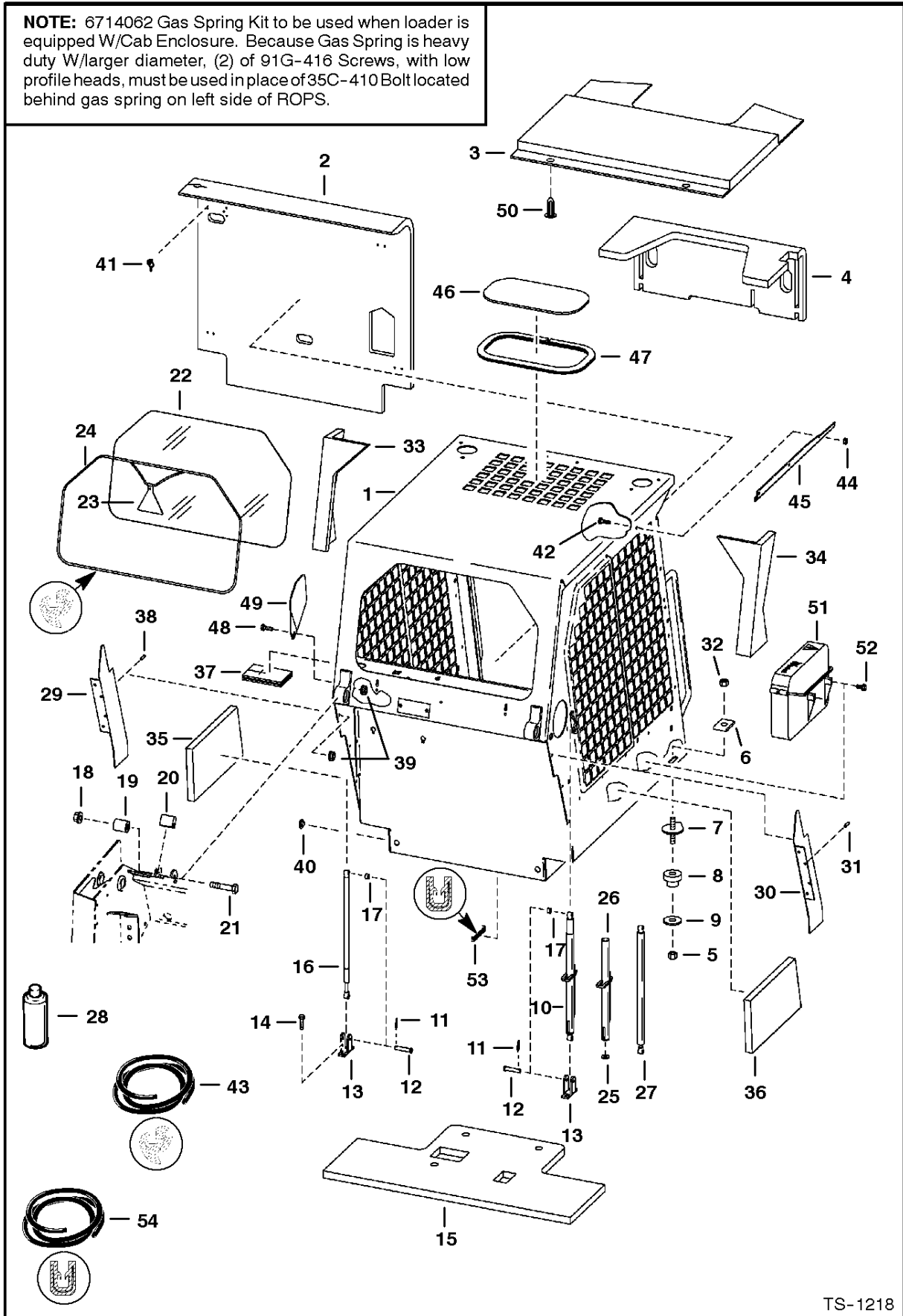
TS-1808

## MAIN FRAME

Ref.N°	Part N°	Description	Remarks	Serial N°	Qty.
1	NAP	MAIN FRAME	SEE BTlinD1< 316 - Was 6702206 [A]	5096 35001-39898	1
1				5096 16504 & Bel	1
1	NAP	MAIN FRAME	SEE BTlinD1< 316 - Was 6712521 [A]	5096 39899-43760	1
1				5096 16505-16767	1
1	6714592	MAIN FRAME		5096 43761 & Abv	1
1				5096 16708-34999	1
2	6705085	GUIDE	hose		2
3	84G-3712	BOLT			13
4	6555989	BUSHING	weld on		2
5	6702132	BUSHING	weld on		4
6	6702409	BUSHING	weld on		2
7	6702959	BUSHING	weld on		2
8	83D-8	NUT			28
9	6704680	COVER	See Page HYDROSTATIC CIRCUITRY(1) & HYDROSTATIC CIRCUITRY(1)		1
10	6705047	BUSHING	weld on		2
11	6577394	BRACKET	hinge - weld on - for two piece rear door		2
11	6708987	BRACKET	hinge - weld on - for one piece rear door		2
12	31C-824	BOLT		5096 35001-39898	12
12				5096 16504 & Bel	12
13	6578505	COVER	See Page DISC BRAKE(1) & DISC BRAKE(1)		1
14	6706042	COVER	See Page DISC BRAKE(1) & DISC BRAKE(1)		1
15	6700330	COVER	See Page DISC BRAKE(1) & DISC BRAKE(1)		1
16	6670627	BREATHER	See Page DISC BRAKE(1) - Was 6646626 [A]		1
17	6553411	BUSHING			2
18	11F-12	PLUG	chaincase fill		1
19	NAP	CHAINCASE	SEE BTlinD1: 313 - See Page DRIVE TRAIN(1) & DRIVE TRAIN(1) - Was 6706916 [A]	5096 35001-39898	1
19				5096 16504 & Bel	1
19	6712826	CHAINCASE		5096 39899 & Abv	1
19				5096 16505-34999	1
20	31C-820	BOLT		5096 35001-39898	16
20				5096 16504 & Bel	16
20	31C-820	BOLT		5096 39899 & Abv	28
20				5096 16505-34999	28
21	6703205	COVER		5096 35001-39898	2
21				5096 16504 & Bel	2
22	6704695	COVER		5096 39899 & Abv	2
22				5096 16505-34999	2
23	6700182	COVER			1
24	6599645	PLUG	chaincase drain		1
25	6706485	HOOK	tie down - weld on		2
26	6701097	WASHER			10
27	6707515	BRACE	frame - weld on		2

# OPERATOR CAB

**NOTE:** 6714062 Gas Spring Kit to be used when loader is equipped W/Cab Enclosure. Because Gas Spring is heavy duty W/larger diameter, (2) of 91G-416 Screws, with low profile heads, must be used in place of 35C-410 Bolt located behind gas spring on left side of ROPS.



TS-1218

## OPERATOR CAB

Ref.N°	Part N°	Description	Remarks	Serial N°	Qty.
1	6701957	OPERATOR CAB	includes cab decals		1
2	6708682	INSULATION	seat back - Use W/Ref. OPERATOR CAB(41) - Was 6707326 [A]		1
3	6706155	INSULATION	cab top - Use W/Ref. OPERATOR CAB(41)	5096 35001-40052	1
3				5096 16511 & Bel	1
3	6715094	INSULATION	cab top - Use W/Ref. OPERATOR CAB(41) & OPERATOR CAB(50) - Was 6712537 [A]	5096 40053 & Abv	1
3				5096 16512-34999	1
4	6718489	INSULATION	control panel - Use W/Ref. OPERATOR CAB(41) - Was 6706918 [A]		1
5	85D-8	NUT			2
6	6553709	WASHER			2
7	6702971	BOLT			2
8	6560633	MOUNT			2
9	6515817	WASHER			2
10	NAP	GAS SPRING	Order Ref. OPERATOR CAB(25)-OPERATOR CAB(27)		1
11	6631418	PIN	ring		4
12	6567743	PIN			4
13	6706349	MOUNT			2
14	84G-3112	BOLT			4
15	6715095	INSULATION	seat pan - Use W/Ref. OPERATOR CAB(28) - Was 6706982 [B]		1
16	6700171	GAS SPRING	W/O lock		1
16	6714062	KIT	W/O lock -heavy duty gas spring - SEE NOTE - Was 6670730 [A]		1
16	91G-416	BOLT	SEE NOTE - Was 91G-410 [B]		2
16	6900531	INSTRUCTIONS			1
17	6567604	SPACER			2
18	53D-10	NUT	Was 83D-10 [B]		2
19	6562602	BUSHING	rubber		2
20	6579613	STOP	cab tilt		2
21	17C-1056	BOLT			2
22	6701651	WINDOW	rear		1
23	6559515	EXIT TAG			1
24	NAP(	HEATER	100'(2540 mm) long - Order Ref. OPERATOR CAB(43)		1
24	NAP	CORD	100'(2540 mm) long - Order Ref. OPERATOR CAB(43)		1
25	6701174	WASHER			1
26	6708189	TUBE	stop - Was 6701175 [A]		1
27	6664205	GAS SPRING			1
28	6652818	ADHESIVE	insulation - 24 oz. spray can		x
29	6702259	SHIELD	L.H.		1
30	6704929	INLET	fuel fill - See Page COOLING SYSTEM(1)		1
31	84G-3110	BOLT			6
32	59D-8	NUT			2
33	6715098	INSULATION	cab back - Use W/Ref. OPERATOR CAB(41) - Was 6706156 [A]		1
34	6715097	INSULATION	cab back - Use W/Ref. OPERATOR CAB(41) - Was 6706157 [A]		1
35	6703451	INSULATION	cab back - Use W/Ref. OPERATOR CAB(28)		1
36	6703452	INSULATION	cab back - Use W/Ref. OPERATOR CAB(28)		1
37	6703455	INSULATION	cab back - Use W/Ref. OPERATOR CAB(28)		1
38	35C-510	BOLT			3
39	83D-5	NUT			4
40	6664374	PLUG	heater hole		5
41	6664310	CLIP	insulation		8
42	35C-410	BOLT			6
43	6665568	SEAL	bulk - Sold Per Foot - Was 6658352 [B]		x

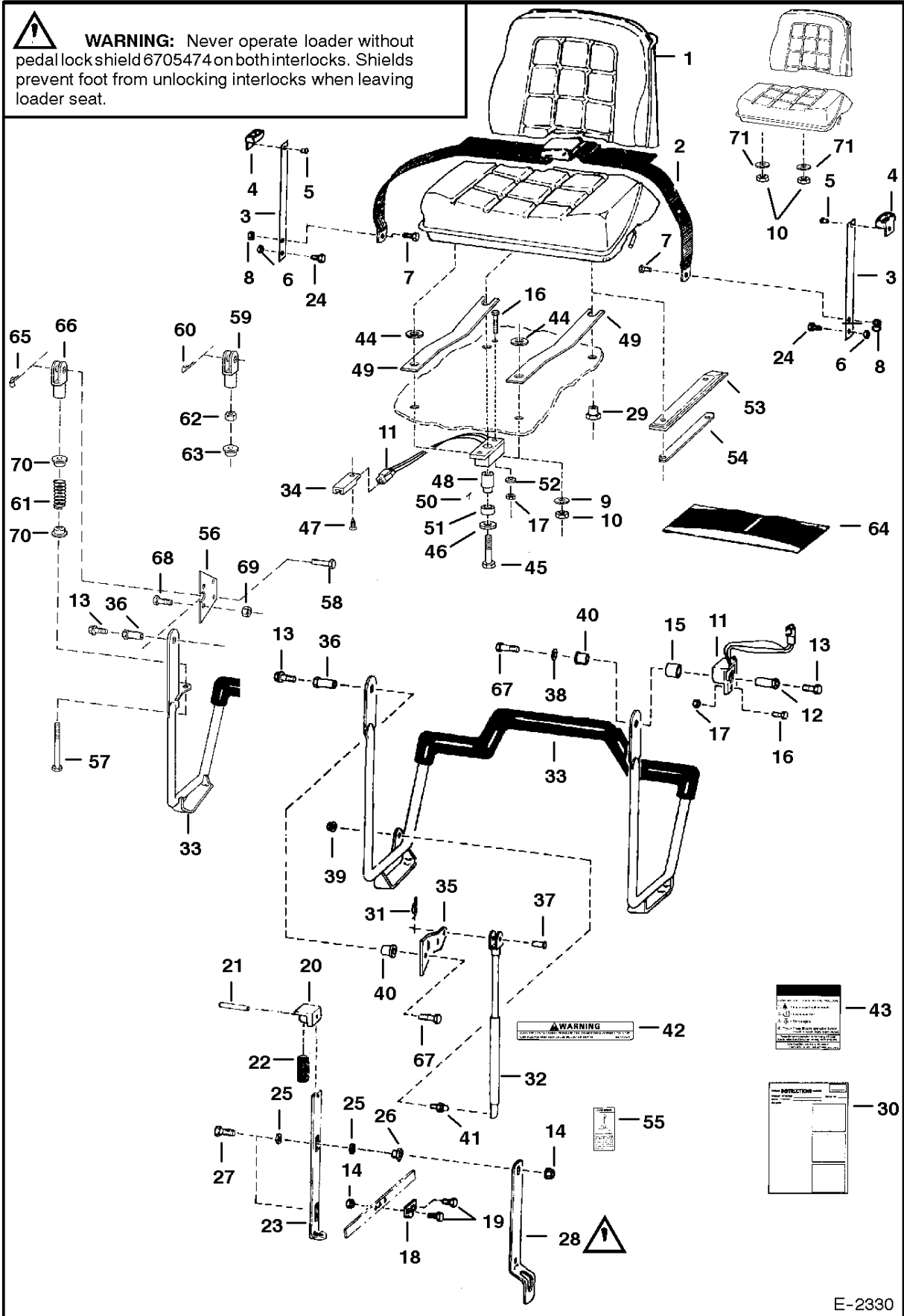
## OPERATOR CAB

Ref.N°	Part N°	Description	Remarks	Serial N°	Qty.
43	6554149	CORD	bulk - Sold Per Foot		x
44	83D-4	NUT			6
45	6703159	TRACK	R.H.		1
45	6703160	TRACK	L.H.		1
46	6705735	WINDOW			1
47	6664351	SEAL	Used W/ Cab Headliner		1
47	6665012	SEAL	Used W/O Cab Headliner		1
48	17C-512	BOLT			1
49	6707879	COVER			1
50	6669308	RETAINER	snap in		2
51	6708827	CONTAINER	manuals		1
52	6702642	BOLT			2
53	NAP	MOULDING	10.5'(266 mm) long - Order Ref. OPERATOR CAB(54) - front corners of cab seat pan		2
54	6654139	MOULDING	bulk - Sold Per Foot		x

# SEAT & SEAT BAR



**WARNING:** Never operate loader without pedal lock shield 6705474 on both interlocks. Shields prevent foot from unlocking interlocks when leaving loader seat.



E-2330

Thank you so much for reading.  
Please click the “Buy Now!”  
button below to download the  
complete manual.



After you pay.

You can download the most  
perfect and complete manual in  
the world immediately.

Our support email:

[ebooklibonline@outlook.com](mailto:ebooklibonline@outlook.com)