

8

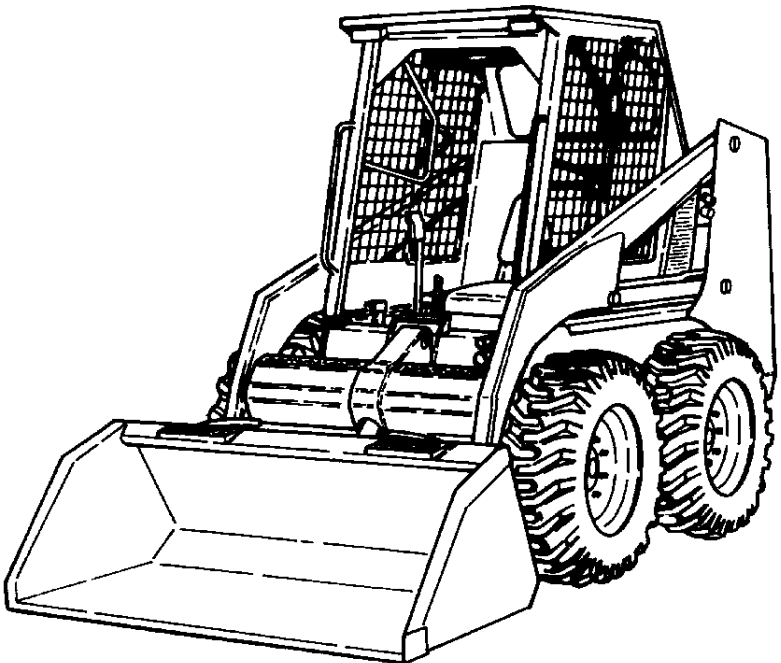
5

3



Parts Manual

S/N 5084 11001 & Above
S/N 5097 11001 & Above



PUBLICATION # 6720526 (10-98)

REPLACES # 6720526 (4-95)

MELROE
INGERSOLL-RAND



Printed in U.S.A.

© Melroe Company 1998

853 ALPHABETICAL INDEX

ADHESIVE	N22	LIGHTS, FLASHER	K2
AIR CLEANER	H22	LOCK, REAR DOOR	M22
ALTERNATOR .. F10, F18, F22, G20, J3		LUBRICANT	N22
ANTI-FREEZE	N22		
AXLE	B18	MAIN FRAME	A12
		MANIFOLD	H4
BATTERY	F2, F6, F10	MODULE, AUX. CONTROLS .	E22, E24
BELT, ALTERNATOR	G20	MOTOR, HYDRO.	D12, D16, E6
BELT, COOLING FAN DRIVE	G14	MOUNT, ENGINE	G20
BELT, MAIN DRIVE	G14	MOUNT, HYDO. PUMP	G14, G20
BLACK GOLD	N22	MUFFLER	G6, G10
BOB-TACH	B2, B6	MUFFLER, PURIFIER	M13
BOOT, RUBBER	B8		
BRAKES	B16	OIL	N22
		OIL COOLER	D20
CAB	A14	PAINT	N22
CAB ENCLOSURE	I20, I23	PANEL, INSTRUMENT	E22, E24
CABLE, BATTERY	F2, F6, F10	PEDALS, CONTROL	C7
CAMSHAFT	H8	PISTON	H14
CAP, FUEL	B10	POLISH	N22
CAP, HYD. OIL	D12, D16	PUMP, GEAR	E17, E18
CAP, RADIATOR	G2	PUMP, HYDRO.	E8, E12
CHAIN, DRIVE	B12	PUMP, INJECTION	H20
CHAINCASE	A12, B12	PUMP, OIL	H10
COOLING FAN DRIVE ASSY.	G24	PUMP, WATER	H16
CRANKSHAFT	H14		
CYLINDER BLOCK	H10	QUICK COUPLER	B22, K4, M16
CYLINDER HEAD	H6		
CYLINDER, LIFT	B2, B20, C5, C6	RADIATOR	G2
CYLINDER, TILT	B2, B20, C2, C4	RIM	N17
		RING GEAR	G14
DIPSTICK, ENG. OIL	H10	SEALANT	N22
DOOR, CAB	I12, I20	SEAT	A18, A19, N12, N14
DOOR, REAR	A12, A22	SEAT BAR	A18
		SEAT BELT	A18, N16
ENGINE	H2	SENDER, FUEL	B10, F2, F6, F10
EXTINGUISHER	K1	SENSOR, ENG. OIL PRESS.	F2, F6, F10
		SENSOR, ENG. TEMP.	F2, F6, F10
FAN	G2	SENSOR, HYDRO. TEMP. .	F2, F6, F10
FILTER, AIR	H22	SHOCK, CONTROLS	E2
FILTER, ENG. OIL	G6, G10	SHORT BLOCK	H2
FILTER, FUEL	B10	SOLENOID	F2, F6, F10, K4, M16
FILTER, HYD. OIL	D18, D20, E19	SPROCKET, AXLE	B18
FIRE EXTINGUISHER	K1	STARTER	F2, F6, F10, F24, G20
FUEL SYSTEM	B10	STOP, LIFT ARM	B2
FUSE	E22	STROBE LIGHT	N7, N8, N9
		SWITCH, HYDRO. PRESS. .	F4, F8, F12
GAS SPRING .. A14, G6, G10, I12, I20		SWITCH, IGNITION, LIGHT ..	E22, E24
GLOW PLUG	H20		
		TANK, COOLANT	G2
HARNESS, CAB	E22, E24	TANK, FUEL	B10
HARNESS, CONTROLS	F14	TANK, HYDRO.	D12, D16
HARNESS, ENGINE	F2, F6	THERMOSTAT	H15
HARNESS, LIGHTS	F2, F6	THROTTLE	G22
HEATER	K22, K23	TIRE	N17
HOOD, ENGINE	A12, G6, G10		
HOURMETER KIT	M4	VALVE STEM	N17
HUB, AXLE	B18	VALVE, DIVERTER	C20
		VALVE, ENGINE	H6
INJECTION NOZZLES	H20	VALVE, HYD. CONTROL	C10, D6
INSECT SCREEN KIT	M5		
		WINDOW, REAR	A14, J2
LATCH, REAR DOOR	A22	WINDOW, SIDE	J2
LEVER, STEERING	E2	WINDSHIELD WIPER	I12, J22
LIFT ARM	B2		
LIGHT	E22, E24		

853 CONTENTS

MAIN FRAME	12-35
MAIN FRAME	12-13
OPERATOR CAB	14-17
SEAT & SEAT BAR	18-19
SEAT	20-21
* SEAT	22-23
REAR DOOR	24-25
LIFT ARM & BOB-TACH	26-29
BOB-TACH	30-31
PANELS	32-33
FUEL SYSTEM	34-35
DRIVE SYSTEM	36-42
DRIVE TRAIN	36-37
GEARCASE	38-39
DISC BRAKE	40-41
AXLE	42-43
HYDRUALIC SYSTEM	44-69
HYDRAULIC CIRCUITRY	44-45
AUXILIARY HYDRAULICS	46-47
TILT CYLINDER	48-51
LIFT CYLINDER	52-55
CONTROL PEDALS	56-57
HYDRAULIC CONTROL VALVE	58-61
* HYDRAULIC CONTROL VALVE	62-65
BUCKET POSITIONING VALVE	66-67
FRONT AUXILIARY VALVE	68-69
HIGH HORSEPOWER HYDRAULICS	70-83
HIGH HORSEPOWER HYDRAULICS	70-83
HYDROSTATIC SYSTEM	84-117
HYDROSTATIC CIRCUITRY	84-95
HAND CONTROLS	96-99
HYDROSTATIC MOTOR	100-101
HYDROSTATIC PUMP	102-111
GEAR PUMP	112-115
HYDROSTATIC OIL FILTER	116-117
ELECTRICAL SYSTEM	118-145
CAB ELECTRICAL SYSTEM	118-121
ENGINE ELECTRICAL SYSTEM	122-133
CONTROLS ELECTRICAL	134-137
ALTERNATOR	138-143
STARTER	144-145
POWER UNIT	146-193
COOLING SYSTEM	146-149
ENGINE & ATTACHING PARTS	150-165
THROTTLE	166-167
COOLING FAN DRIVE ASSY.	168-169
ENGINE & GASKET KITS	170-171
MANIFOLDS	172-173
CYLINDER HEAD & COVER	174-175
CAMSHAFT & TIMING GEAR	176-177
CRANKCASE & OIL PAN	178-181
PISTON & CRANKSHAFT	182-183
THERMOSTAT HOUSING	184-185
WATER PUMP	186-187

853 CONTENTS (Cont'd)

POWER UNIT (CONT'D)	146-193
FUEL INJECTION SYSTEM	188-191
AIR CLEANER	192-193
ACCESSORIES & OPTIONS	197-349
ACCESS COVER	197-200
BACK-UP ALARM KIT	201-204
* BEACON LIGHT	205-206
BOB-TACH LEVERS	207-208
BLOCK HEATER	209-210
BUCKET POSITION ON-OFF KIT	211-212
BUMPERS	213-214
CAB DOOR	215-222
CAB ENCLOSURE	223-228
CAB WINDOWS	229-230
CLOSED ALTERNATOR	231-232
DECALS	233-236
ELECTRICAL CONTROLS KIT	237-242
EXPORT ACCESSORIES (SOUND OPTION)	243-244
* ENGINE MOUNT KITS	245-246
EXPORT ACCESSORIES	247-248
REAR WIPER KIT	249-250
* EXPORT ACCESSORIES (PETAL EXTENDERS)	251-252
* FIRE EXTINGUISHER	253-254
* FLASHER LIGHTS	255-256
FRONT AUXILIARY	257-258
HAND CONTROLS KIT	259-268
* HEATER KIT (FRESH AIR)	269-272
* HEATER (FRESH AIR)	273-274
* HEATER KIT	275-276
* HEATER	277-278
HEATER PLUMBING KIT (FRESH AIR)	279-280
* HEATER PLUMBING KIT	281-282
HOOD KIT	283-284
HORN KIT	285-286
HOURMETER KIT	287-288
INSECT SCREEN KIT	289-290
* KEYLESS IGNITION	291-292
LIFT KIT	293-298
MUFFLER/PURIFIER KIT	299-302
* MUFFLER/PURIFIER KIT	303-304
RADIATOR SCREEN KIT	305-306
REAR AUXILIARY	307-312
REAR AUXILIARY VALVE	313-314
REAR DOOR LOCK	315-316
SEAT BAR KIT	317-318
* SEAT BAR KIT	319-322
SOUND OPTION	323-324
STROBE LIGHT	325-328
* STROBE LIGHT	329-330
SUSPENSION SEAT (MILSCO)	331-332
* SUSPENSION SEAT (MICHIGAN)	333-334
SUSPENSION SEAT (GRAMMER)	335-336
3" SEAT BELT	337-338
TIRES & RIMS (SOLID TIRE - SETCO)	339-340
* TIRES & RIMS (SOLID TIRE - LATCO)	341-342

853 CONTENTS (Cont'd)

ACCESSORIES & OPTIONS (CONT'D)	197-349
TIRES & RIMS	343-344
TOOL BOX	345-346
BULK ITEMS	347-348
NUMERICAL INDEX	349-355
NUMERICAL INDEX	349-355

853 CONTENTS

MAIN FRAME	12-35
MAIN FRAME	12-13
OPERATOR CAB	14-17
SEAT & SEAT BAR	18-19
SEAT	20-21
* SEAT	22-23
REAR DOOR	24-25
LIFT ARM & BOB-TACH	26-29
BOB-TACH	30-31
PANELS	32-33
FUEL SYSTEM	34-35
DRIVE SYSTEM	36-42
DRIVE TRAIN	36-37
GEARCASE	38-39
DISC BRAKE	40-41
AXLE	42-43
HYDRUALIC SYSTEM	44-69
HYDRAULIC CIRCUITRY	44-45
AUXILIARY HYDRAULICS	46-47
TILT CYLINDER	48-51
LIFT CYLINDER	52-55
CONTROL PEDALS	56-57
HYDRAULIC CONTROL VALVE	58-61
* HYDRAULIC CONTROL VALVE	62-65
BUCKET POSITIONING VALVE	66-67
FRONT AUXILIARY VALVE	68-69
HIGH HORSEPOWER HYDRAULICS	70-83
HIGH HORSEPOWER HYDRAULICS	70-83
HYDROSTATIC SYSTEM	84-117
HYDROSTATIC CIRCUITRY	84-95
HAND CONTROLS	96-99
HYDROSTATIC MOTOR	100-101
HYDROSTATIC PUMP	102-111
GEAR PUMP	112-115
HYDROSTATIC OIL FILTER	116-117
ELECTRICAL SYSTEM	118-145
CAB ELECTRICAL SYSTEM	118-121
ENGINE ELECTRICAL SYSTEM	122-133
CONTROLS ELECTRICAL	134-137
ALTERNATOR	138-143
STARTER	144-145
POWER UNIT	146-193
COOLING SYSTEM	146-149
ENGINE & ATTACHING PARTS	150-165
THROTTLE	166-167
COOLING FAN DRIVE ASSY.	168-169
ENGINE & GASKET KITS	170-171
MANIFOLDS	172-173
CYLINDER HEAD & COVER	174-175
CAMSHAFT & TIMING GEAR	176-177
CRANKCASE & OIL PAN	178-181
PISTON & CRANKSHAFT	182-183
THERMOSTAT HOUSING	184-185
WATER PUMP	186-187

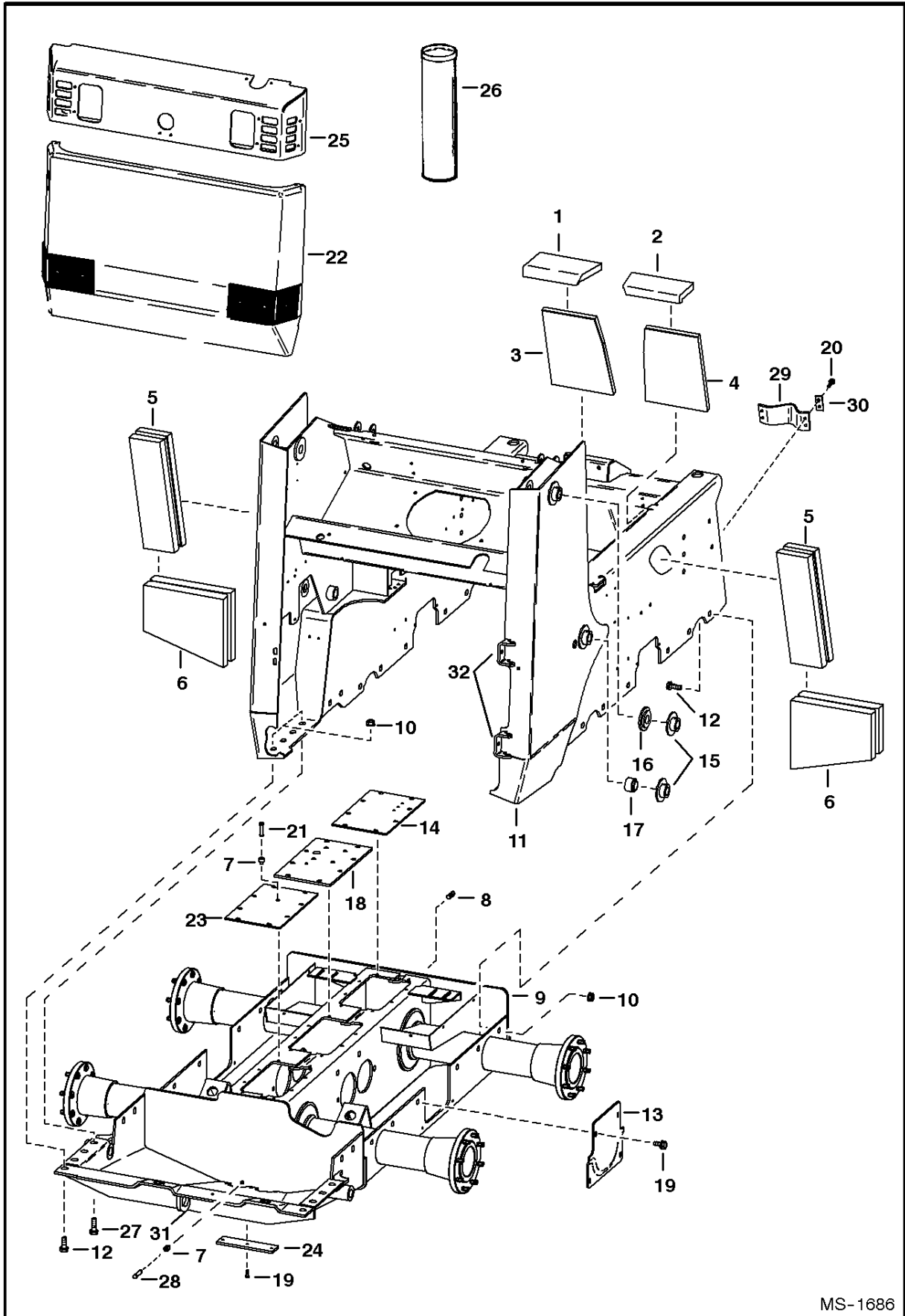
853 CONTENTS (Cont'd)

POWER UNIT (CONT'D)	146-193
FUEL INJECTION SYSTEM	188-191
AIR CLEANER	192-193
ACCESSORIES & OPTIONS	197-349
ACCESS COVER	197-200
BACK-UP ALARM KIT	201-204
* BEACON LIGHT	205-206
BOB-TACH LEVERS	207-208
BLOCK HEATER	209-210
BUCKET POSITION ON-OFF KIT	211-212
BUMPERS	213-214
CAB DOOR	215-222
CAB ENCLOSURE	223-228
CAB WINDOWS	229-230
CLOSED ALTERNATOR	231-232
DECALS	233-236
ELECTRICAL CONTROLS KIT	237-242
EXPORT ACCESSORIES (SOUND OPTION)	243-244
* ENGINE MOUNT KITS	245-246
EXPORT ACCESSORIES	247-248
REAR WIPER KIT	249-250
* EXPORT ACCESSORIES (PETAL EXTENDERS)	251-252
* FIRE EXTINGUISHER	253-254
* FLASHER LIGHTS	255-256
FRONT AUXILIARY	257-258
HAND CONTROLS KIT	259-268
* HEATER KIT (FRESH AIR)	269-272
* HEATER (FRESH AIR)	273-274
* HEATER KIT	275-276
* HEATER	277-278
HEATER PLUMBING KIT (FRESH AIR)	279-280
* HEATER PLUMBING KIT	281-282
HOOD KIT	283-284
HORN KIT	285-286
HOURMETER KIT	287-288
INSECT SCREEN KIT	289-290
* KEYLESS IGNITION	291-292
LIFT KIT	293-298
MUFFLER/PURIFIER KIT	299-302
* MUFFLER/PURIFIER KIT	303-304
RADIATOR SCREEN KIT	305-306
REAR AUXILIARY	307-312
REAR AUXILIARY VALVE	313-314
REAR DOOR LOCK	315-316
SEAT BAR KIT	317-318
* SEAT BAR KIT	319-322
SOUND OPTION	323-324
STROBE LIGHT	325-328
* STROBE LIGHT	329-330
SUSPENSION SEAT (MILSCO)	331-332
* SUSPENSION SEAT (MICHIGAN)	333-334
SUSPENSION SEAT (GRAMMER)	335-336
3" SEAT BELT	337-338
TIRES & RIMS (SOLID TIRE - SETCO)	339-340
* TIRES & RIMS (SOLID TIRE - LATCO)	341-342

853 CONTENTS (Cont'd)

ACCESSORIES & OPTIONS (CONT'D)	197-349
TIRES & RIMS	343-344
TOOL BOX	345-346
BULK ITEMS	347-348
NUMERICAL INDEX	349-355
NUMERICAL INDEX	349-355

MAIN FRAME



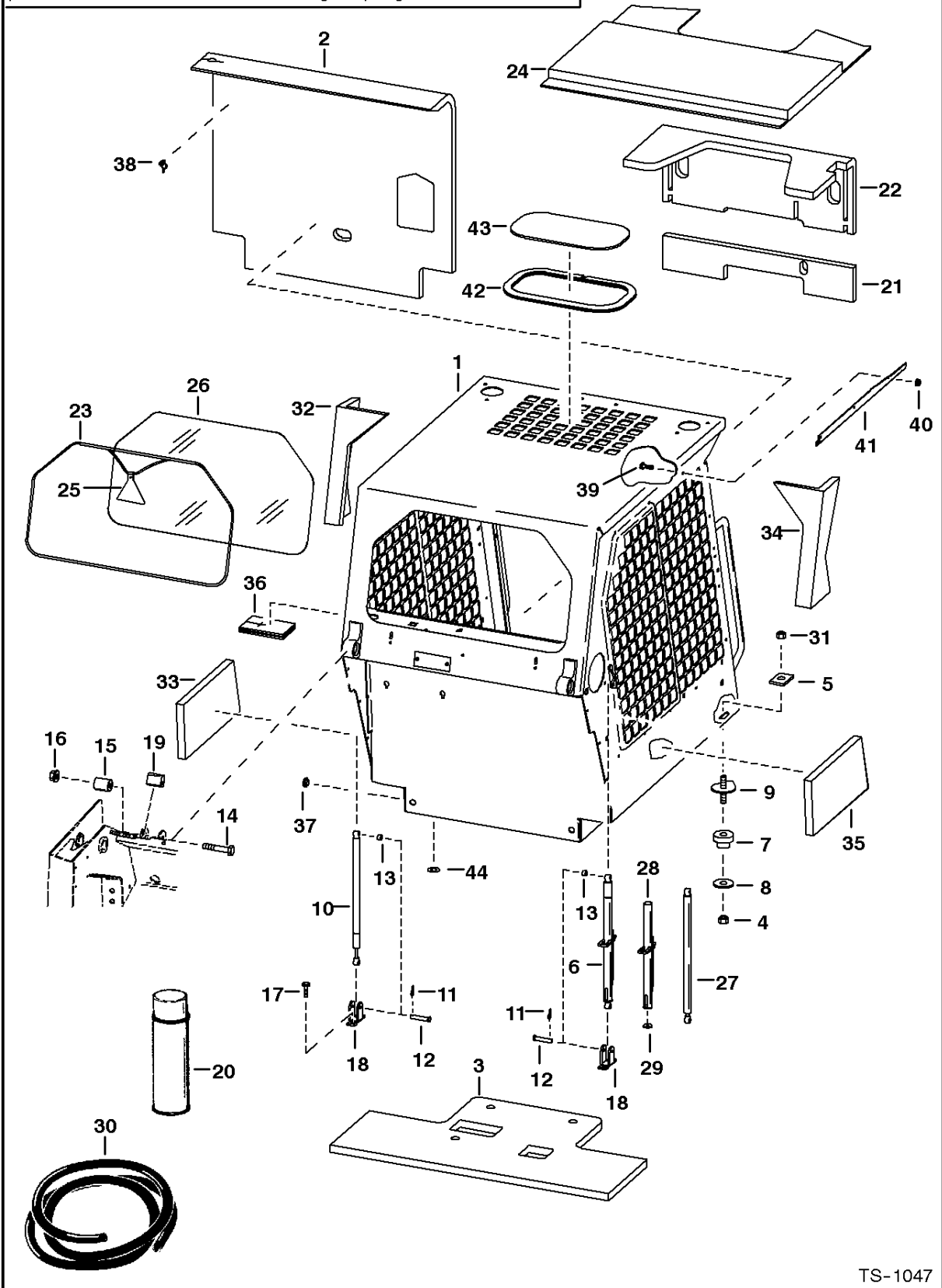
MS-1686

MAIN FRAME

Ref.N°	Part N°	Description	Remarks	Serial N°	Qty.
1	6703963	INSULATION	crossmember		1
2	6703964	INSULATION	crossmember		1
3	6703965	INSULATION	crossmember		1
4	6703969	INSULATION	crossmember		1
5	6703967	INSULATION	fender		2
6	6703968	INSULATION	transmission		2
7	6553411	BUSHING			2
8	11F-12	PLUG			1
9	6578976	CHAINCASE	See Page DRIVE TRAIN(1)		1
10	83D-12	NUT			24
11	6579513	MAIN FRAME			1
12	31C-1228	BOLT			20
13	6703189	COVER	Was 6578352 [A]		2
14	6578505	COVER	See Page DISC BRAKE(1)		1
15	6702584	BUSHING	weld on		4
16	6702583	BUSHING	weld on - Was 6577955 [A]		2
17	6555987	BUSHING	weld on		6
18	6706279	COVER	See Page DISC BRAKE(1) - Was 6702922 [A]		1
19	84G-3712	BOLT			8
20	84G-3716	BOLT			8
21	6646626	BREATHER			1
22		REAR DOOR	See Page REAR DOOR(10)		1
23	6700330	COVER	See Page DISC BRAKE(1)		1
24	6700182	COVER			1
25		HOOD	See Page ENGINE & ATTACHING PARTS(1)- ENGINE & ATTACHING PARTS(1) & HOOD KIT(14) - Was 6578046 [A]		1
26	6633583	SEALANT	chaincase cover		x
27	31C-1232	BOLT			4
28	6599645	PLUG			1
29	6702164	SPACER	flexible		2
30	6579106	SHIM			4
31	6706485	HOOK	tie down - weld on		2
32	6577394	BRACKET	hinge - weld on		2

OPERATOR CAB

NOTE: 6714062 Gas Spring Kit to be used when loader is equipped W/Cab Enclosure. Because Gas Spring is heavy duty W/larger diameter, (2) 91G-416 Screws, with low profile heads, must be used in place of 35C-410 Bolt located behind gas spring on left side of ROPS.



TS-1047

OPERATOR CAB

Ref.N°	Part N°	Description	Remarks	Serial N°	Qty.
1	6701957	OPERATOR CAB	includes Cab Decals - Also Order (2) of Ref. OPERATOR CAB(44)		1
2	6706569	INSULATION	seat back - use W/Ref. OPERATOR CAB(20) - Was 6701553 [A]		1
2	6708682	INSULATION	seat back - shown - use W/Ref. OPERATOR CAB(38) - Was 6705816 [A]		1
3	6715095	INSULATION	seat pan - Was 6706982 [A]		1
4	85D-8	NUT			2
5	6553709	WASHER			2
6	NAP	GAS SPRING	Order Ref. OPERATOR CAB(27)-OPERATOR CAB(29) - Was 6701176 [A]		1
7	6560633	MOUNT			2
8	6515817	WASHER			2
9	6702971	BOLT	Was 6568398 [A]		2
10	6700171	GAS SPRING	w/out lock - Was 6706590 [A]		1
10	6714062	KIT	W/out lock - heavy duty, gas spring -SEE NOTE		1
10	91G-416	BOLT	SEE NOTE		2
10	6900531	INSTRUCTIONS	for kit 6714062		1
11	6631418	PIN	ring		4
12	6567743	PIN			4
13	6567604	SPACER			2
14	17C-1056	BOLT			2
15	6562602	BUSHING	rubber		2
16	53D-10	NUT	Was 83D-10 [B]		2
17	84G-3112	BOLT			4
18	6706349	MOUNT	Was 6576340 [S]		2
19	6579613	STOP	cab tilt		2
20	6652818	ADHESIVE	insulation - 24 oz. spray can - Was 6632469 [S]		x
21	6701674	INSULATION	controls panel - use W/Ref. OPERATOR CAB(20)		1
22	6708181	INSULATION	controls panel - use W/Ref. OPERATOR CAB(20) - Was 6701675 [A]		1
23	NAP	EXTRUSION	81.5' (2070,1 mm) long - Order Ref. OPERATOR CAB(30)ncm3B }H~10{M		x
23	NAP	CORD	81.5' (2070,1 mm) long - Order Ref. OPERATOR CAB(30)		x
24	6701519	INSULATION	cab top - use W/Ref. OPERATOR CAB(20)		1
24	6706155	INSULATION	cab top - use W/Ref. OPERATOR CAB(38)		1
25	6559515	EXIT TAG			1
26	6701651	WINDOW	rear		1
27	6664205	GAS SPRING	Was 6655389 [A]		1
28	6708189	TUBE	stop - Was 6701175 [A]		1
29	6701174	WASHER			1
30	6665568	SEAL	bulk - Sold Per Foot - Was 6658352 [B]		x
30	6554149	CORD	bulk - Sold Per Foot		x
31	59D-8	NUT			2
32	6703449	INSULATION	cab back - L.H. - use W/Ref. OPERATOR CAB(20)		1
32	6706156	INSULATION	cab back - L.H. - use W/Ref. OPERATOR CAB(38)		1
33	6703451	INSULATION	cab back - use W/Ref. OPERATOR CAB(20)		1
34	6703450	INSULATION	Cab Back- R.H. - use W/Ref. OPERATOR CAB(20)		1
34	6706151	INSULATION	Cab Back- L.H. - use W/Ref. OPERATOR CAB(38)		1
35	6703452	INSULATION	Cab Back-use W/Ref. OPERATOR CAB(20)		1
36	6703455	INSULATION	Cab Back-use W/Ref. OPERATOR CAB(20) - Was 6703453 [A]		1
37	6664374	PLUG	heater hole		5
38	6664310	CLIP			8
39	35C-410	BOLT			4
40	83D-4	NUT			4

OPERATOR CAB

Ref.N°	Part N°	Description	Remarks	Serial N°	Qty.
41	6703159	TRACK	R.H.		1
41	6703160	TRACK	L.H.		1
42	6664351	SEAL	Used W/Cab Headliner	& Above	1
42	6665012	SEAL	Used W/O Cab Headliner	& Above	1
43	6705735	WINDOW			1
44	6707318	GUIDE	spacer - for seat rear mounting bolts		2

Thank you so much for reading.
Please click the “Buy Now!”
button below to download the
complete manual.



After you pay.

You can download the most
perfect and complete manual in
the world immediately.

Our support email:

ebooklibonline@outlook.com