

863

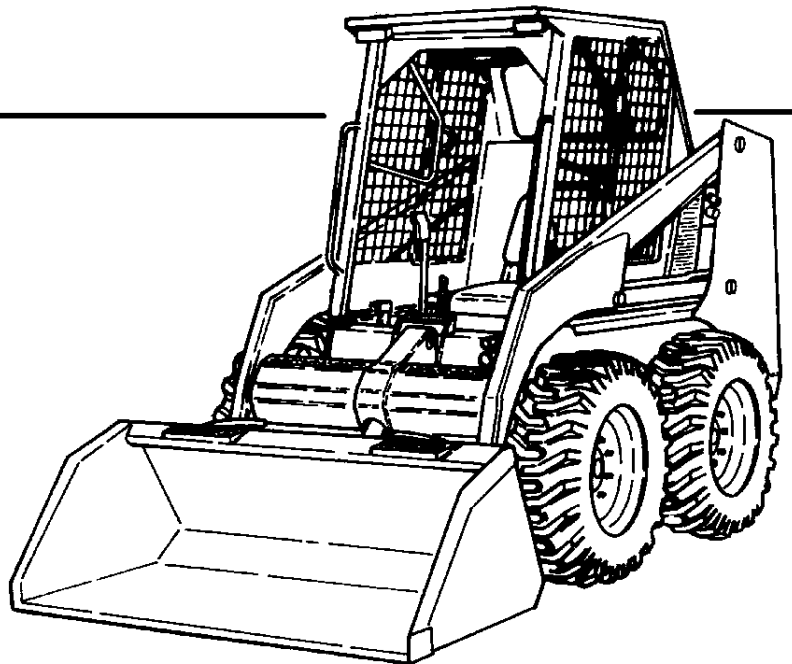


Parts Manual

S/N 5144 11001 - 39999

S/N 5145 11001 - 39999

S/N 5146 11001 - 39999



863 ALPHABETICAL INDEX

ADHESIVE	454
AIR CLEANER	246, 250
ALTERNATOR	218, 224, 236, 258
AXLE	46
BATTERY	220, 226
BEACON	309
BELT, TIMING	278
BLACK GOLD	454
BOB-TACH	30, 32
BOOT, RUBBER	34
CAB	16
CAB ENCLOSURE	326, 329
CABLE, BATTERY	218, 224
CAP, FUEL	36
CHAINCASE	12, 40
CONTROL VALVE	62, 124
COOLING FAN DRIVE ASSY.	264
CYLINDER, LIFT	71, 72
CYLINDER, TILT	68, 70
DISPLAY, LCD	214
DOOR, CAB	326
DOOR, REAR	26, 28
DRIVE MOUNT ASSY.	41, 42
ENGINE	258, 266
FAN	240
FILTER, FUEL	36
FILTER, HYD. OIL	148
FIRE EXTINGUISHER	364
FUEL SYSTEM	36
GAS SPRING	16, 326
GASKET KITS, ENG.	266
GAUGE, ENG. TEMP.	210
GLOW PLUG	220, 226, 270
HARNES, CAB	210, 214
HARNES, ENGINE	218, 224
HOOD, ENGINE	26
HORN	399
HOURMETER	212
HOURMETER KIT	400
HUB, AXLE	46
IGNITION SWITCH	210, 214
LATCH, REAR DOOR	26, 28
LEVER, PINTLE	162
LIFT CYLINDER	48, 52, 54, 58
LIGHT	214
LIGHTS, FLASHER	366
LOCK, REAR DOOR	421, 422
LUBRICANT	454
MAIN FRAME	12
MODULE, AUX. CONTROLS	214
MOUNT, ENGINE	258
MOUNT, HYDRO. PUMP	260
MUFFLER	246, 250
OIL	454
OIL COOLER	146
OIL PAN	284
PAINT	454
PANEL, INSTRUMENT	210, 214
PEDALS, CONTROL	76
POLISH	454
PUMP, GEAR	204
PUMP, HYDRO.	186, 190
PURIFIER	409
QUICK COUPLERS	64, 370
RIM	447
SEALANT	454
SEAT	22, 23, 441, 443, 445
SEAT BELT	22, 446
SENDER, HYDRO. PRESS. . .	218, 224
SENSOR, FUEL	36, 218, 224
SHOCK, CONTROLS ...	154, 158, 162
SOLENOID	226
SPROCKET, AXLE	39, 46
STARTER	218, 224, 238, 254, 260
STOP, LIFT ARM	30
STROBE LIGHT	438, 439
SWITCH	220
SWITCH, ENG. OIL PRESS. .	218, 224
SWITCH, ENG. TEMP.	218, 224
SWITCH, GLOW PLUG	210
SWITCH, HYDRO. TEMP.	218, 224
SWITCH, IGNITION	210, 214
SWITCH, LIGHT	214
TANK, FUEL	36
THROTTLE	262
TILT CYLINDER	48, 52, 54, 58
TIRE	447
VALVE STEM	447
VALVE, BUCKET POSITIONING ..	114
VALVE, CONTROL ..	96, 100, 104, 108
VALVE, HYD. CONTROL	78, 84, 88, 92
VOLTMETER	210
WINDOW, REAR	332
WINDOW, SIDE	332
WINDSHIELD WIPER	424

863 BICS CONTENTS

MAIN FRAME	12-39
MAIN FRAME	12-15
OPERATOR CAB	16-17
SEAT BAR	18-21
SEAT	22-27
REAR DOOR	28-31
LIFT ARM & BOB-TACH	32-33
BOB-TACH	34-35
PANELS	36-37
FUEL SYSTEM	38-39
DRIVE SYSTEM	40-49
DRIVE TRAIN	40-41
MOTOR CARRIER	42-45
DISC BRAKE	46-47
AXLE	48-49
HYDRAULIC SYSTEM	50-119
HYDRAULIC CIRCUITRY	50-63
MANUAL LIFT RELEASE SYSTEM	64-65
AUXILIARY HYDRAULICS	66-69
TILT CYLINDER	70-73
LIFT CYLINDER	74-77
MANUAL LIFT RELEASE VALVE	78-79
CONTROL PEDALS	80-81
HYDRAULIC CONTROL VALVE (W/BICS CONTROL VALVE)	82-95
* HYDRAULIC CONTROL VALVE (SERVICE VALVE)	96-99
HYDRAULIC CONTROL VALVE (FOR AHC)	100-111
* HYDRAULIC CONTROL VALVE (AHC) (SERVICE VALVE)	112-115
BICS CONTROL VALVE	116-117
BUCKET POSITIONING VALVE	118-119
HIGH HORSEPOWER HYDRAULICS	120-135
HIGH HORSEPOWER HYDRAULICS	120-135
HYDROSTATIC SYSTEM	136-217
HYDROSTATIC CIRCUITRY	136-159
HAND CONTROLS	160-169
HYDROSTATIC MOTOR	170-175
HYDROSTATIC PUMP	176-209
GEAR PUMP	210-211
HYDROSTATIC OIL FILTER	212-217
ELECTRICAL SYSTEM	218-247
CAB ELECTRICAL CIRCUITRY	218-225
ENGINE ELECTRICAL CIRCUITRY	225-237
ELECTRICAL CONTROLS CIRCUITRY	238-243
ALTERNATOR	244-245
STARTER	246-247
POWER UNIT	248-307
COOLING SYSTEM	248-253
ENGINE & ATTACHING PARTS	254-269
THROTTLE	270-271
COOLING FAN DRIVE ASSY.	272-273
ENGINE & GASKET KITS	274-277
MANIFOLDS	278-279
CYLINDER HEAD & COVER	280-283
CAMSHAFT	284-287
FRONT COVER	288-291

863 BICS CONTENTS (Cont'd)

POWER UNIT (CONT'D)	248-307
CRANKCASE & OIL PAN	292-297
PISTON & CRANKSHAFT	298-299
FUEL INJECTION SYSTEM	300-303
OIL PUMP	304-305
AIR CLEANER	306-307
ACCESSORIES & OPTIONS	309-508
ACCESS COVER	309-314
AUXILIARY RELIEF PRESSURE KIT	315-316
AUXILIARY SPOOL SOLENOID BLOCK KIT	317-318
BACK-UP ALARM KIT	319-326
BEACON LIGHT	327-328
BLOCK HEATER	329-332
BOB-TACH LEVERS	333-334
BUCKET POSITION ON-OFF KIT	335-336
BUCKET POSITIONING KIT	337-340
BRAKE KIT	341-342
BUMPERS	343-344
CAB DOOR	345-348
CAB ENCLOSURE	349-354
CAB WINDOWS	355-356
CLOSED ALTERNATOR	357-358
COUNTERWEIGHT KIT	359-360
DECALS	361-364
ELECTRICAL CONTROLS KIT	365-370
* ELECTRICAL CONTROLS KIT	371-372
ENGINE MOUNT KIT	373-374
EXPORT ACCESSORIES	375-390
FIRE EXTINGUISHER	391-392
FLASHER LIGHTS	393-396
4-WAY FLASHER LIGHT KIT	397-398
FRONT AUXILIARY HYDRAULICS KIT	399-402
HAND CONTROLS KIT	403-406
* HAND CONTROLS KIT	407-410
HANDLE KITS	411-412
HEATER KIT - SINGLE	413-416
HEATER - SINGLE (FRESH AIR)	417-418
HEATER PLUMBING KIT - SINGLE (FRESH AIR)	419-420
HEATER KIT - DUAL (FRESH AIR)	421-422
HEATER - DUAL	423-428
HIGH FLOW HYDRAULICS KIT	429-430
HORN KIT	431-434
HOURMETER KIT	435-436
KEYLESS IGNITION	437-438
LIFT KIT	439-442
LIGHT KIT	443-446
PEDESTAL STEERING KIT	447-448
PURIFIER	449-450
PUSH TO OPERATE	451-452
PUSH TO OPERATE KIT	453-454
RADIATOR SCREEN KIT	455-456
REAR AUXILIARY HYDRAULICS KIT	457-462
REAR AUXILIARY VALVE	463-464
REAR DOOR LOCK	465-468
REAR WIPER	469-470

863 BICS CONTENTS (Cont'd)

ACCESSORIES & OPTIONS (CONT'D)	308-508
RENTAL KIT	471-472
SEAT BAR KIT	473-476
SEAT KIT	477-478
SEAT RAIL COVER KIT	479-480
SIDE CONSOLE KIT	481-482
SOUND OPTION	483-486
STROBE LIGHT	487-490
SUSPENSION SEAT	491-496
3" SEAT BELT	497-498
TIRES & RIMS	499-504
TOOL BOX	505-506
BULK ITEMS	507-508

863 BICS CONTENTS

MAIN FRAME	12-39
MAIN FRAME	12-15
OPERATOR CAB	16-17
SEAT BAR	18-21
SEAT	22-27
REAR DOOR	28-31
LIFT ARM & BOB-TACH	32-33
BOB-TACH	34-35
PANELS	36-37
FUEL SYSTEM	38-39
DRIVE SYSTEM	40-49
DRIVE TRAIN	40-41
MOTOR CARRIER	42-45
DISC BRAKE	46-47
AXLE	48-49
HYDRAULIC SYSTEM	50-119
HYDRAULIC CIRCUITRY	50-63
MANUAL LIFT RELEASE SYSTEM	64-65
AUXILIARY HYDRAULICS	66-69
TILT CYLINDER	70-73
LIFT CYLINDER	74-77
MANUAL LIFT RELEASE VALVE	78-79
CONTROL PEDALS	80-81
HYDRAULIC CONTROL VALVE (W/BICS CONTROL VALVE)	82-95
* HYDRAULIC CONTROL VALVE (SERVICE VALVE)	96-99
HYDRAULIC CONTROL VALVE (FOR AHC)	100-111
* HYDRAULIC CONTROL VALVE (AHC) (SERVICE VALVE)	112-115
BICS CONTROL VALVE	116-117
BUCKET POSITIONING VALVE	118-119
HIGH HORSEPOWER HYDRAULICS	120-135
HIGH HORSEPOWER HYDRAULICS	120-135
HYDROSTATIC SYSTEM	136-217
HYDROSTATIC CIRCUITRY	136-159
HAND CONTROLS	160-169
HYDROSTATIC MOTOR	170-175
HYDROSTATIC PUMP	176-209
GEAR PUMP	210-211
HYDROSTATIC OIL FILTER	212-217
ELECTRICAL SYSTEM	218-247
CAB ELECTRICAL CIRCUITRY	218-225
ENGINE ELECTRICAL CIRCUITRY	225-237
ELECTRICAL CONTROLS CIRCUITRY	238-243
ALTERNATOR	244-245
STARTER	246-247
POWER UNIT	248-307
COOLING SYSTEM	248-253
ENGINE & ATTACHING PARTS	254-269
THROTTLE	270-271
COOLING FAN DRIVE ASSY.	272-273
ENGINE & GASKET KITS	274-277
MANIFOLDS	278-279
CYLINDER HEAD & COVER	280-283
CAMSHAFT	284-287
FRONT COVER	288-291

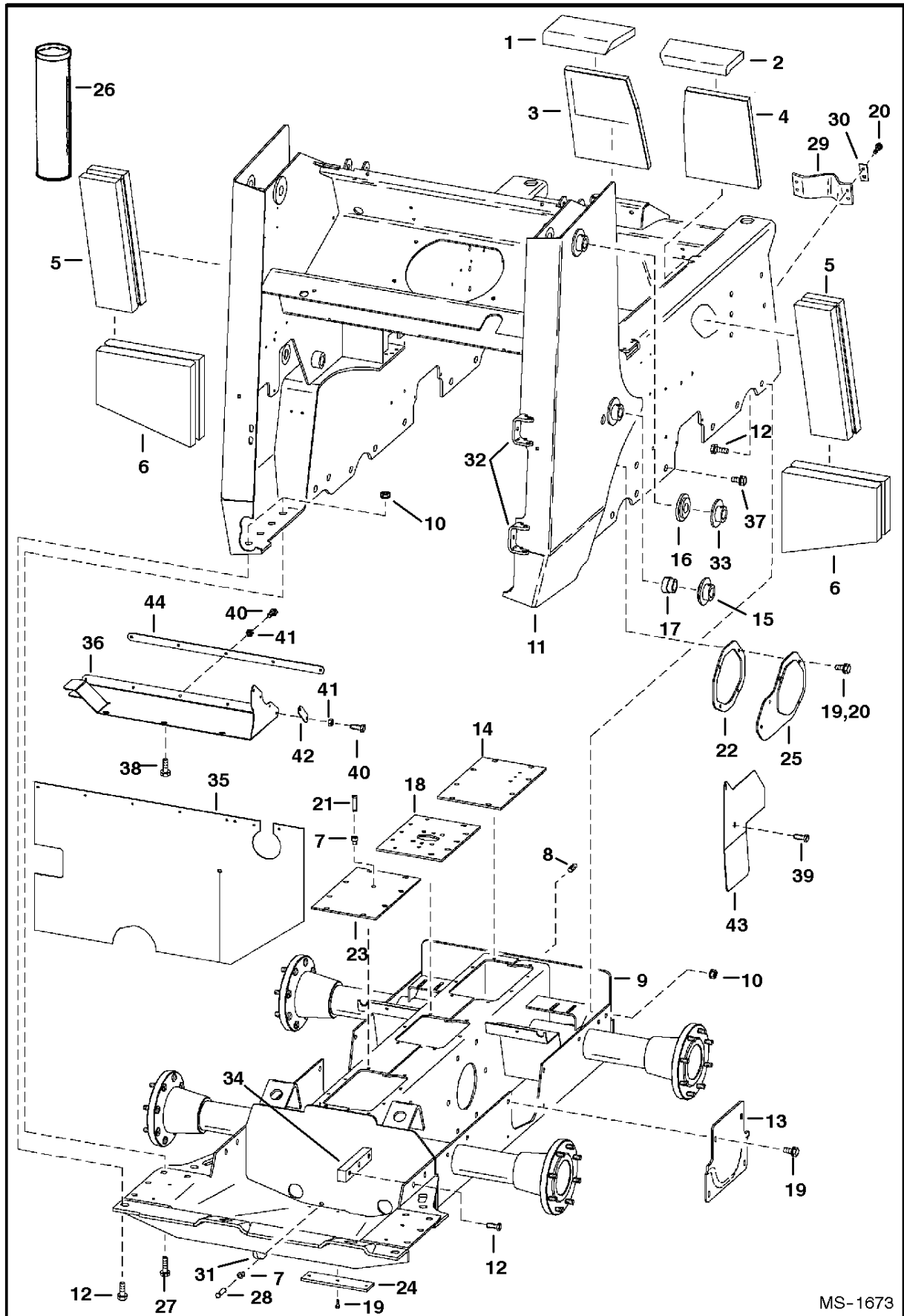
863 BICS CONTENTS (Cont'd)

POWER UNIT (CONT'D)	248-307
CRANKCASE & OIL PAN	292-297
PISTON & CRANKSHAFT	298-299
FUEL INJECTION SYSTEM	300-303
OIL PUMP	304-305
AIR CLEANER	306-307
ACCESSORIES & OPTIONS	309-508
ACCESS COVER	309-314
AUXILIARY RELIEF PRESSURE KIT	315-316
AUXILIARY SPOOL SOLENOID BLOCK KIT	317-318
BACK-UP ALARM KIT	319-326
BEACON LIGHT	327-328
BLOCK HEATER	329-332
BOB-TACH LEVERS	333-334
BUCKET POSITION ON-OFF KIT	335-336
BUCKET POSITIONING KIT	337-340
BRAKE KIT	341-342
BUMPERS	343-344
CAB DOOR	345-348
CAB ENCLOSURE	349-354
CAB WINDOWS	355-356
CLOSED ALTERNATOR	357-358
COUNTERWEIGHT KIT	359-360
DECALS	361-364
ELECTRICAL CONTROLS KIT	365-370
* ELECTRICAL CONTROLS KIT	371-372
ENGINE MOUNT KIT	373-374
EXPORT ACCESSORIES	375-390
FIRE EXTINGUISHER	391-392
FLASHER LIGHTS	393-396
4-WAY FLASHER LIGHT KIT	397-398
FRONT AUXILIARY HYDRAULICS KIT	399-402
HAND CONTROLS KIT	403-406
* HAND CONTROLS KIT	407-410
HANDLE KITS	411-412
HEATER KIT - SINGLE	413-416
HEATER - SINGLE (FRESH AIR)	417-418
HEATER PLUMBING KIT - SINGLE (FRESH AIR)	419-420
HEATER KIT - DUAL (FRESH AIR)	421-422
HEATER - DUAL	423-428
HIGH FLOW HYDRAULICS KIT	429-430
HORN KIT	431-434
HOURMETER KIT	435-436
KEYLESS IGNITION	437-438
LIFT KIT	439-442
LIGHT KIT	443-446
PEDESTAL STEERING KIT	447-448
PURIFIER	449-450
PUSH TO OPERATE	451-452
PUSH TO OPERATE KIT	453-454
RADIATOR SCREEN KIT	455-456
REAR AUXILIARY HYDRAULICS KIT	457-462
REAR AUXILIARY VALVE	463-464
REAR DOOR LOCK	465-468
REAR WIPER	469-470

863 BICS CONTENTS (Cont'd)

ACCESSORIES & OPTIONS (CONT'D)	308-508
RENTAL KIT	471-472
SEAT BAR KIT	473-476
SEAT KIT	477-478
SEAT RAIL COVER KIT	479-480
SIDE CONSOLE KIT	481-482
SOUND OPTION	483-486
STROBE LIGHT	487-490
SUSPENSION SEAT	491-496
3" SEAT BELT	497-498
TIRES & RIMS	499-504
TOOL BOX	505-506
BULK ITEMS	507-508

MAIN FRAME



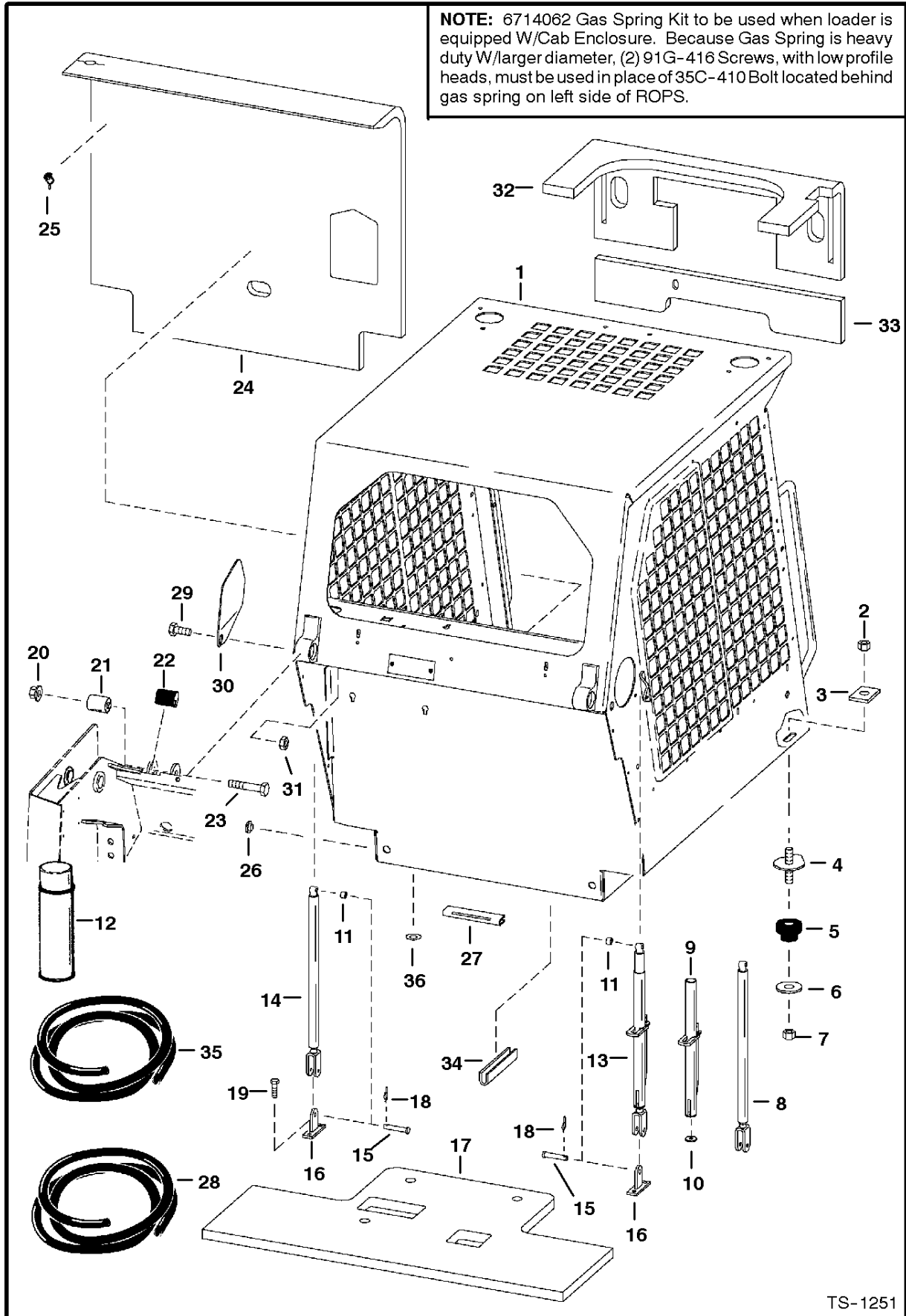
MS-1673

MAIN FRAME

Ref.N°	Part N°	Description	Remarks	Serial N°	Qty.
1	6703963	INSULATION	crossmember		1
2	6703964	INSULATION	crossmember		1
3	6703965	INSULATION	crossmember		1
4	6703969	INSULATION	crossmember		1
5	6703967	INSULATION	fender		2
6	6703968	INSULATION	transmission		2
7	6553411	BUSHING			2
8	11F-12	PLUG			1
9		CHAINCASE	See Page DRIVE TRAIN(6)		1
10	83D-12	NUT			18
11	6709924	MAIN FRAME			1
12	31C-1228	BOLT			20
13	6706808	COVER			2
14	6578505	COVER	See Page DISC BRAKE(20)		1
15	6705047	BUSHING	weldAon - Was 6702584 [B]		2
16	6710744	BUSHING	weldAon		2
17	6713823	BUSHING	weldAon - Was 6558992 [B]		2
18	6706683	COVER	See Page DISC BRAKE(28)		1
19	84G-3712	BOLT			19
19	84G-3712	BOLT	M46 pump - high flow		15
20	84G-3716	BOLT			8
20	84G-3716	BOLT	M46 pump - high flow		12
21	6670627	BREATHER	Was 6646626 [A]		1
22	NAP	SHIM	for high flow machines - Order Ref. MAIN FRAME(25) - Was 6713082 [A]		1
22	6713082	SHIM	M46 pump - high flow		2
23	6700330	COVER	See Page DISC BRAKE(39)		1
24	6700182	COVER			1
25	6713311	COVER		& Bel.	2
25	6719086	COVER	right - Was 6717110 [A]	& Abv.	1
25	6717111	COVER	left	& Abv.	1
26	6633583	SEALANT	chaincase cover		x
27	6673642	BOLT	Was 31C-1232 [B]		4
28	6599645	PLUG			1
29	6702164	SPACER	flexible		2
30	6579106	SHIM			4
31	6706485	HOOK	tie down - weldAon		2
32	6577394	BRACKET	weldAon - for 2piece rear door		2
32	6708987	BRACKET	weldAon - for 1piece rear door		2
33	6710745	BUSHING	weldAon		2
34	6706857	BLOCK			2
35	6715272	SHIELD	exhaust	5144 17152-26786	1
36	6715271	BRACKET	shield	5144 17152-26786	1
37	6718486	PLUG			2
38	35C-616	BOLT		5144 17152-26786	3
39	84G-3112	BOLT		5144 17152-26786	1
40	17C-412	BOLT		5144 17152-26786	9
41	83D-4	NUT		5144 17152-26786	9
42	6715268	CLAMP		5144 17152-26786	2
43	6715273	SHIELD		5144 17152-26786	1
44	6715269	CLAMP	shield	5144 17152-26786	1

OPERATOR CAB

NOTE: 6714062 Gas Spring Kit to be used when loader is equipped W/Cab Enclosure. Because Gas Spring is heavy duty W/larger diameter, (2) 91G-416 Screws, with low profile heads, must be used in place of 35C-410 Bolt located behind gas spring on left side of ROPS.



TS-1251

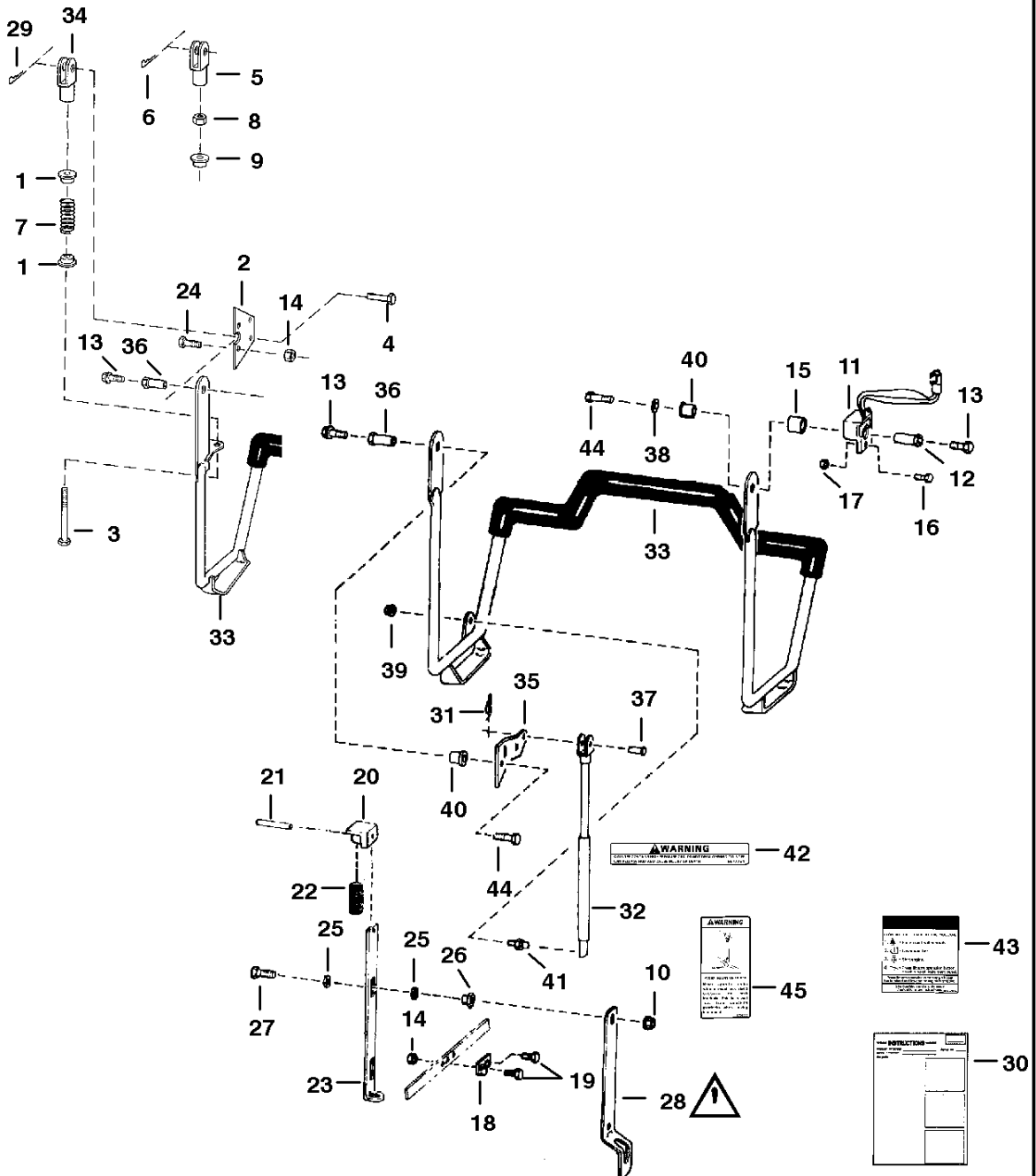
OPERATOR CAB

Ref.N°	Part N°	Description	Remarks	Serial N°	Qty.
1	6701957	OPERATOR CAB	W/ decals		1
2	59D-8	NUT			2
3	6553709	WASHER			2
4	6702971	BOLT			2
5	6560633	MOUNT			2
6	6515817	WASHER			2
7	85D-8	NUT			2
8	6664205	GAS SPRING			1
9	6708189	TUBE	stop		1
10	6701174	WASHER			1
11	6567604	SPACER			2
12	6652818	ADHESIVE	insulation - 24 oz. spray can		x
13	NAP	GAS SPRING	Order Ref. OPERATOR CAB(8)-OPERATOR CAB(10)		1
14	6700171	GAS SPRING	W/O lock		1
14	6714062	KIT	W/O lock - heavy duty gas spring - SEE NOTE		1
14	91G-416	BOLT	SEE NOTE - Was 91G-410 [B]		2
14	6900531	INSTRUCTIONS	for kit 6714062		1
15	6567743	PIN			4
16	6706349	MOUNT			2
17	6715095	INSULATION	seat pan - use W/ Ref. OPERATOR CAB(12) - Was 6706982 [A]		1
18	6631418	PIN	ring		4
19	84G-3112	BOLT			4
20	53D-10	NUT	Was 83D-10 [B]		2
21	6562602	BUSHING	rubber		2
22	6579613	STOP	cab tilt		2
23	17C-1056	BOLT			2
24	6708682	INSULATION	seat back - Use W/ Ref. OPERATOR CAB(25)		1
25	6664310	CLIP	insulation		8
26	6664374	PLUG	heater hole		5
27	NAP	MOULDING	6' (152mm) long - Order Ref. OPERATOR CAB(28)		1
28	6512686	SEAL	bulk - Sold Per Foot		x
29	17C-512	BOLT			1
30	6707879	COVER			1
31	83D-5	NUT			1
32	6701674	INSULATION	steering panel		1
32	6716866	INSULATION	steering panel - M46 option		1
33	6716800	INSULATION	panel		1
33	6716682	INSULATION	panel - M46 option		1
34	NAP	MOULDING	10.5' (266mm) long - Order Ref. OPERATOR CAB(35) - front corners cab seat pan		2
35	6654139	MOULDING	bulk - Sold Per Foot		x
36	6571991	WASHER			2

SEAT BAR



WARNING: Never operate loader without pedal lock shield 6705474 on both interlocks. Shields prevent foot from unlocking interlocks when leaving loader seat.



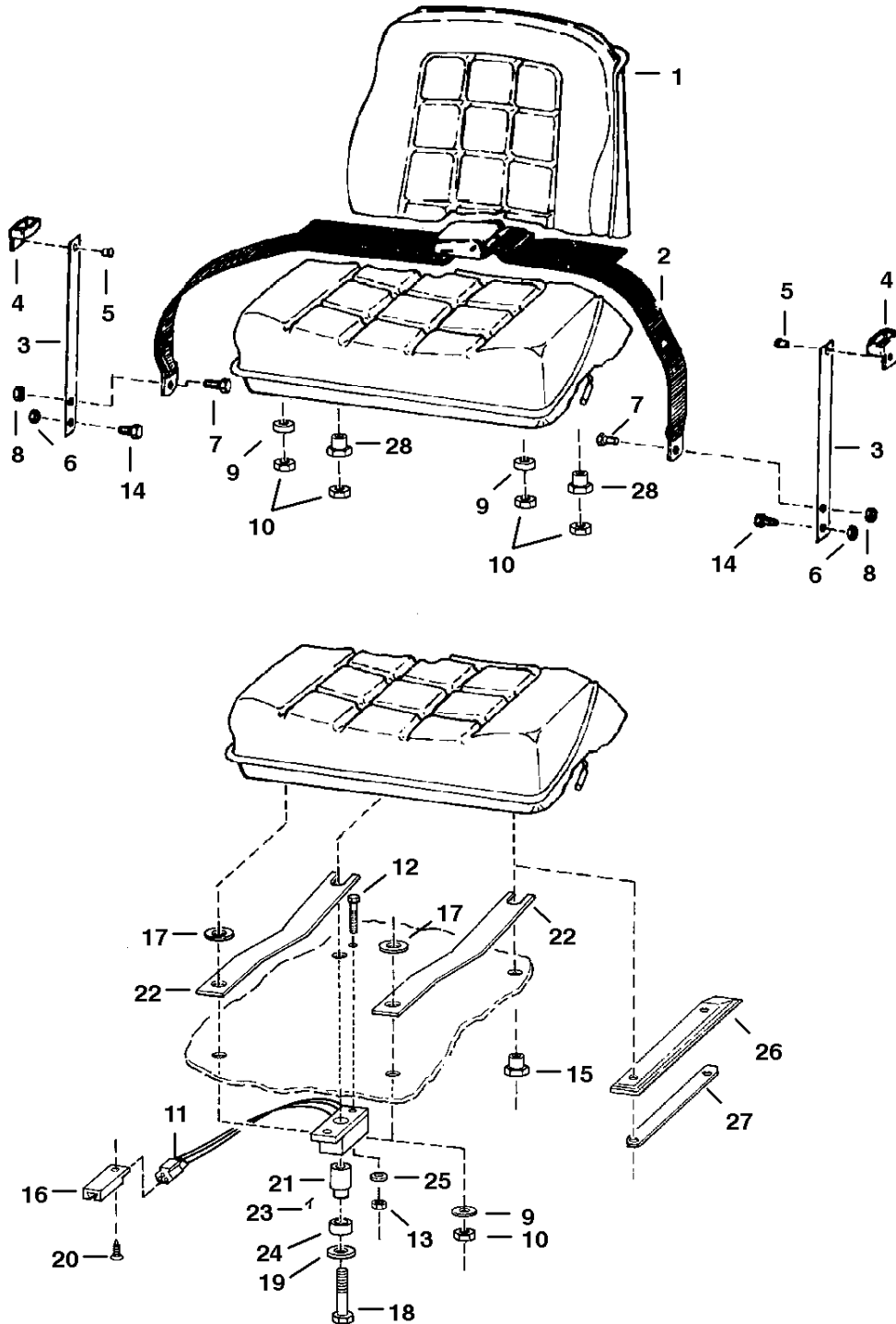
E-2222

SEAT BAR

Ref.N°	Part N°	Description	Remarks	Serial N°	Qty.
1	6710659	BUSHING		& Abv.	2
2	6710660	MOUNT		& Abv.	2
3	6713887	BOLT	Was 6711897 [A]	& Abv.	2
4	4F-6106	PIN		& Abv.	2
5	2J-6208	CLEVIS		& Abv.	2
6	1306637	PIN		& Abv.	2
7	6701535	SPRING		& Abv.	2
8	8D-6	NUT		& Abv.	2
9	6571991	WASHER		& Abv.	2
10	59D-6	NUT			5
11	6670652	SENSOR	Was 6667690 [A]		1
12	6706685	BUSHING			1
13	35C-608	BOLT		& Bel.	2
13	35C-612	BOLT		& Abv.	2
14	91D-7	NUT			2
15	6671135	BUSHING	magnetic - Was 6665521 [A]		1
16	35C-410	BOLT	fastens thru tab of Ref. SEAT(11)		2
16	17C-428	BOLT	fastens thru body of Ref. SEAT(11) - Was 6710539 [A]		1
17	83D-4	NUT	fastens thru tab of Ref. SEAT(11)		2
17	50D-12	NUT	fastens thru body of Ref. SEAT(11)		1
18	6563151	LINK			2
19	17C-616	BOLT			4
20	6563148	BLOCK			2
21	14J-2512	PIN			2
22	6702430	SPRING			2
23	6578150	LOCK			2
24	17C-712	BOLT			2
25	6700170	WASHER	plastic		8
26	6559479	NUT			4
27	6705489	BOLT			4
28	6705474	LOCK SHIELD	Never operate loader without pedal lock shield on both interlocks ... SEE WARNING ON PREVIOUS PAGE		2
29	6631418	PIN		& Abv.	1
30	6722392	INSTRUCTIONS	For Ref. SEAT BAR(28)		1
31	6631418	PIN	ring	& Bel.	1
32	6664207	GAS SPRING		& Bel.	1
33	6706358	SEAT BAR	for use W/Gas Spring	& Bel.	1
33	NAP	SEAT BAR	for use W/Compression Spring - Order 6713609 seat bar and (2) each of Ref. SEAT BAR(1), SEAT BAR(3), SEAT BAR(29) & SEAT BAR(34)	-	1
33	6716777	SEAT BAR	Was 6713609 [A]	& Abv.	1
34	6713589	CLEVIS		& Abv.	1
35	6706388	BRACKET			1
36	6706962	BUSHING			1
37	4F-5062	PIN		& Bel.	1
38	25E-17	WASHER			1
39	85D-5	NUT			1
40	6664882	BUSHING	keyed		1
41	6649244	BALL STUD		& Bel.	1
42	6577754	DECAL	warning	& Bel.	1
43	6707134	DECAL	instruction for LCS		1
44	17C-612	BOLT		& Bel.	2
44	17C-608	BOLT		& Abv.	2
45	6705720	DECAL			1

SEAT

NOTE: Standard seat requires (1) of Ref. 22 located on R.H. side.
Milsco Suspension seat requires (2) of Ref. 22 located one each side.
Grammer Suspension seat, See Page 494.

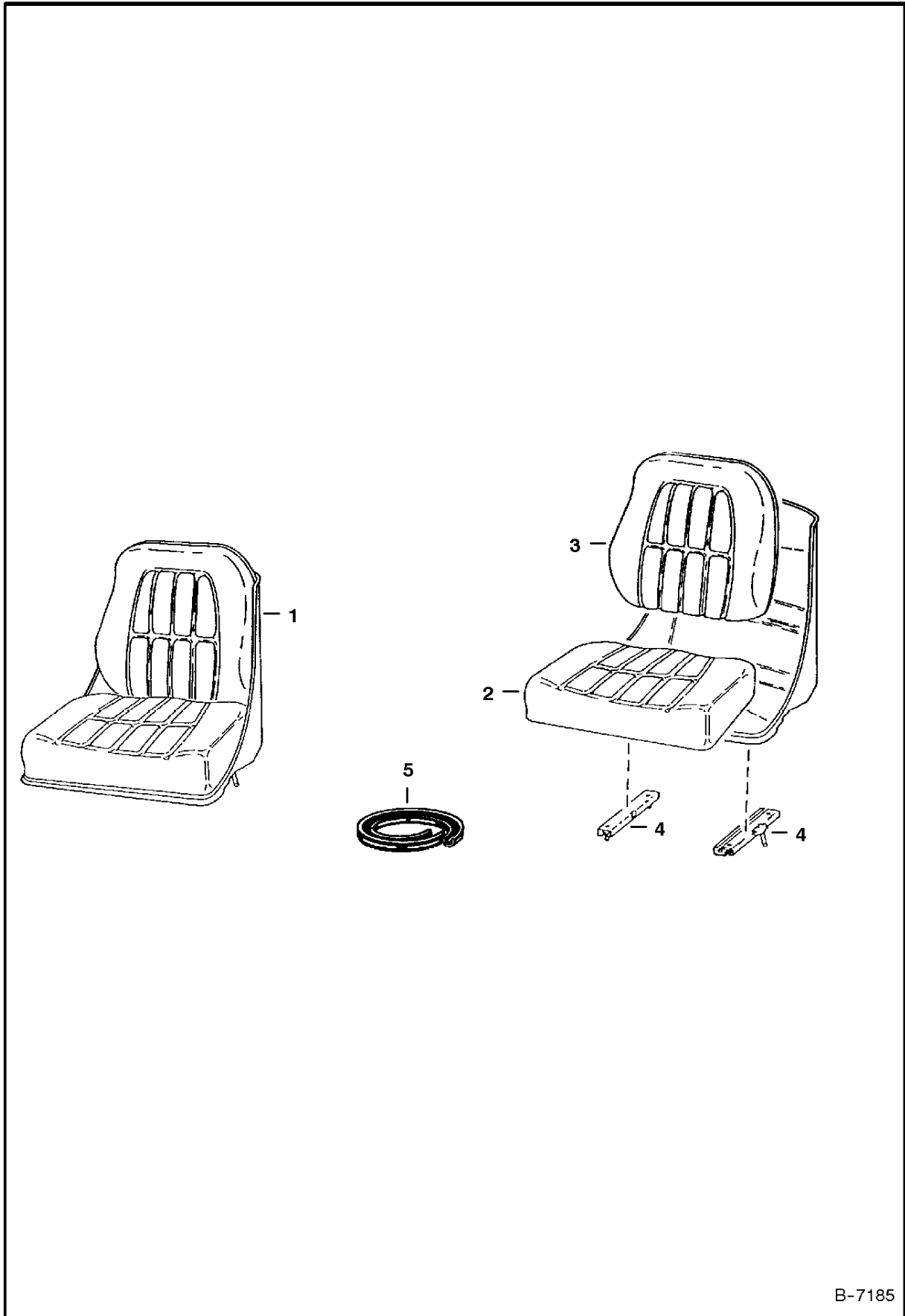


B-18396

SEAT

Ref.N°	Part N°	Description	Remarks	Serial N°	Qty.
1		SEAT	See Page SEAT(1)		1
2	NAP	SEAT BELT	W/Spring plates - Order 6675074 seat belt & (2) Ref. SEAT(3) 6725373 spring plates - Was 6725403 [A]		1
2	6675074	SEAT BELT	W/O spring plates		1
3	NAP	GUIDE ASSY.	W/Ref. SEAT(4) & SEAT(5) - 13.75' (349,3 mm) long - used W/NAP 6564774 seat belt - Was 6565354 [A]		2
3	NAP	GUIDE ASSY.	W/Ref. SEAT(4) & SEAT(5) - 12.25'(311mm) long - used W/ NAP 6667875 seat belt - Order 6711908 spring plate, Ref. SEAT(4) & Ref.		2
3	6711908	SPRING PLATE	Use W/Ref. SEAT(2) NAP/ 6725403 seat belt		2
3	6725373	SPRING PLATE	Use W/Ref. SEAT(2) 6725373 seat belt		2
4	6565355	GUIDE			2
5	6630207	RIVET			4
6	85D-6	NUT			2
7	17C-716	BOLT			2
8	85D-7	NUT			2
9	6701174	WASHER			2
10	61D-5	NUT		5144 27599 & Bel.	2
10	59D-5	NUT	Was 61D-5 [B]	5144 27600 & Abv.	4
11	6670652	SENSOR	Also Order Ref. SEAT(23) - Was 6667690 [A]		2
12	35C-410	BOLT	fastens thru tab of Ref. SEAT(11)		2
12	6710539	BOLT	fastens thru body of Ref. SEAT(11)		1
13	83D-4	NUT	fastens thru tab of Ref. SEAT(11)		2
13	50D-12	NUT	fastens thru body of Ref. SEAT(11)		1
14	17C-612	BOLT			2
15	6707319	NUT	spacer		1
16	6665000	CLIP			1
17	6706890	WASHER			2
18	17C-508	BOLT			2
19	25E-16	WASHER			1
20	6664221	RETAINER			1
21	6710751	BUSHING	spacer - Was 6710571 [D]		1
22	6706966	SPRING	plate - SEE NOTE		1
23	6664881	KEY	magnet bushing		1
24	6666608	BUSHING	tapered - magnetic		1
25	25E-10	WASHER			1
26	6711729	COVER			2
27	6711730	STRIP			2
28	6717318	GUIDE	Was 6571991 [A]	5144 27600 & Abv.	2
29	6701174	WASHER			2

SEAT



B-7185

Thank you so much for reading.
Please click the “Buy Now!”
button below to download the
complete manual.



After you pay.

You can download the most
perfect and complete manual in
the world immediately.

Our support email:

ebooklibonline@outlook.com