

863



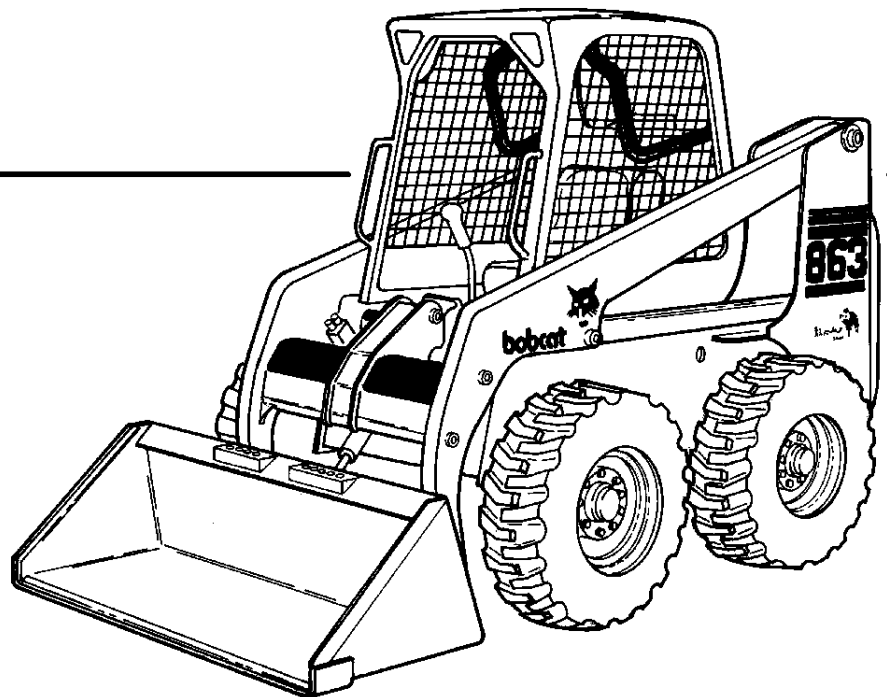
Bobcat®

**G-Series
Parts
Manual**

S/N 5144 40001 & Above

S/N 5145 40001 & Above

S/N 5146 40001 & Above



**EQUIPPED WITH
BOBCAT INTERLOCK
CONTROL SYSTEM (BICS™)**



6900954 (11-00) Revised (12-01)

Printed in U.S.A.

© Bobcat Company 2001

863 G-SERIES CONTENTS

MAIN FRAME	11-34
MAIN FRAME	11-12
OPERATOR CAB	13-16
SEAT & SEAT BAR	17-18
SEAT	19-20
REAR DOOR	21-22
* REAR DOOR	23-24
LIFT ARM & BOB-TACH	25-26
BOB-TACH	27-28
PANELS	29-30
FUEL SYSTEM	31-34
DRIVE SYSTEM	35-44
DRIVE TRAIN	35-36
MOTOR CARRIER	37-38
DISC BRAKE	39-40
* DISC BRAKE	41-42
AXLE	43-44
HYDRAULIC SYSTEM	45-90
HYDRAULIC CIRCUITRY	45-50
* HYDRAULIC CIRCUITRY	51-58
MANUAL LIFT RELEASE SYSTEM	59-60
AUXILIARY HYDRAULICS	61-64
TILT CYLINDER	65-66
LIFT CYLINDER	67-68
MANUAL LIFT RELEASE VALVE	69-70
CONTROL PEDALS	71-72
HYDRAULIC CONTROL VALVE	73-82
* HYDRAULIC CONTROL VALVE	83-86
BICS CONTROL VALVE	87-88
BUCKET POSITIONING VALVE	89-90
HIGH HORSEPOWER HYDRAULICS	91-102
HIGH HORSEPOWER HYDRAULICS	91-98
* HIGH HORSEPOWER HYDRAULICS	99-100
HIGH HORSEPOWER HYDRAULICS (CONTROL VALVE)	101-102
HYDROSTATIC SYSTEM	103-158
HYDROSTATIC CIRCUITRY	103-116
* HYDROSTATIC CIRCUITRY	117-118
HYDROSTATIC CIRCUITRY (2-SPEED OPTION)	119-120
HAND CONTROLS	121-124
HYDROSTATIC MOTOR	125-126
HYDROSTATIC MOTOR & BRAKE	127-130
HYDROSTAIC PUMP	131-146
GEAR PUMP	147-148
* GEAR PUMP	149-150
2-SPEED VALVE	151-152
* 2-SPEED VALVE	153-154
HYDROSTATIC OIL FILTER	155-158
ELECTRICAL SYSTEM	159-192
ELECTRICAL CONTROLS	159-170
* CONTROLS ELECTRICAL	171-178
CAB ELECTRICAL CIRCUITRY	179-182
ENGINE ELECTRICAL	183-186
ALTERNATOR	187-190
STARTER	191-192

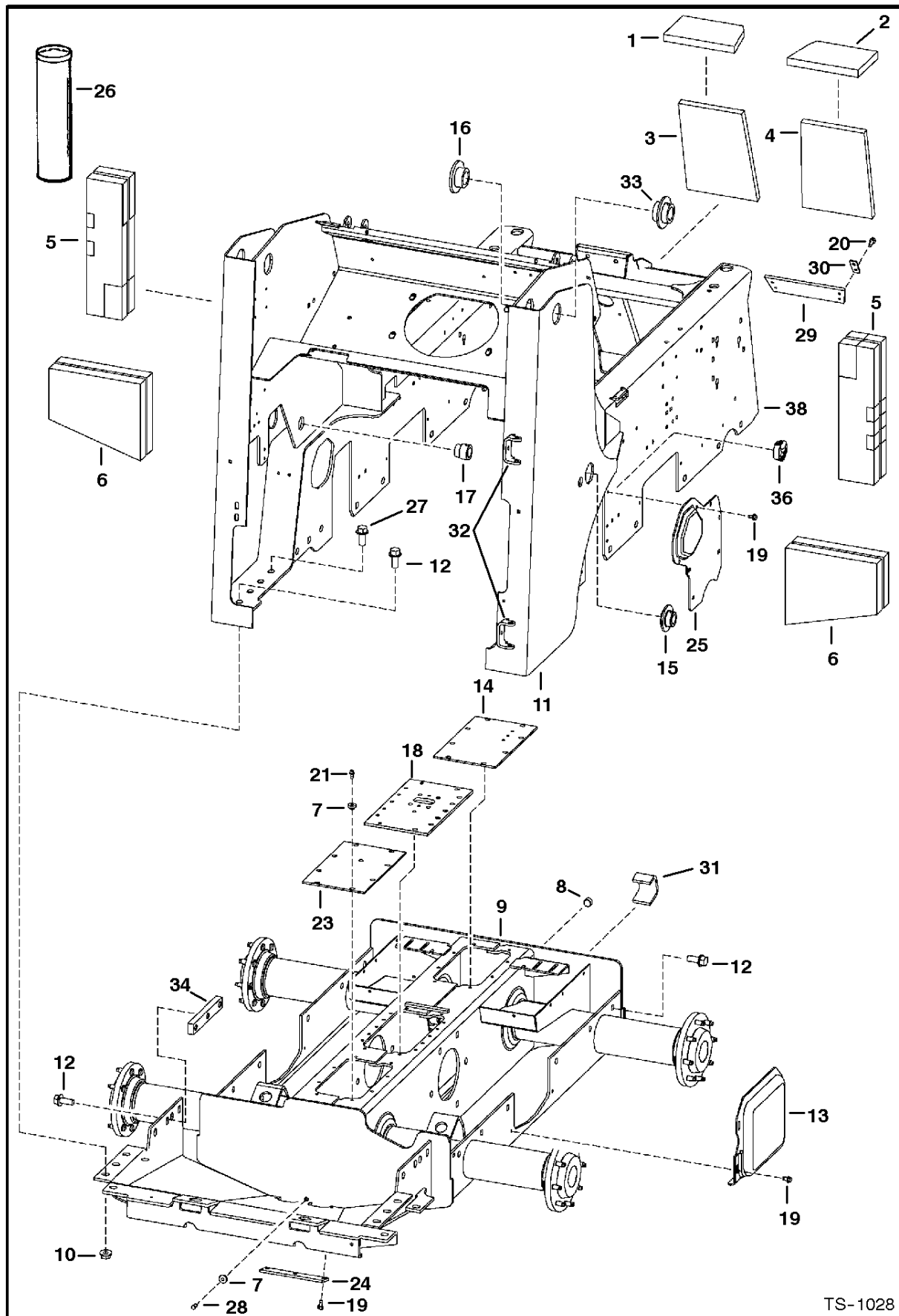
863 G-SERIES CONTENTS (Cont'd)

POWER UNIT	193-234
COOLING SYSTEM	193-198
ENGINE & ATTACHING PARTS	199-206
THROTTLE	207-208
COOLING FAN DRIVE ASSY.	209-210
ENGINE & GASKET KITS	211-212
MANIFOLDS	213-214
CYLINDER HEAD & COVER	215-216
CAMSHAFT	217-218
FRONT COVER	219-220
CRANKCASE & OIL PAN	221-224
PISTON & CRANKSHAFT	225-226
FUEL INJECTION SYSTEM	227-230
OIL PUMP	231-232
AIR CLEANER	233-234
ACCESSORIES & OPTIONS	238-405
ACCESS COVER	238-239
ACCESSORIES HARNESS	240-241
BACK-UP ALARM	242-243
BEACON	244-245
BLOCK HEATER	246-251
BOB-TACH LEVERS	252-253
BUCKET POSITIONING KIT	254-255
* BUCKET POSITIONING KIT	256-257
CAB DOOR	258-271
CAB ENCLOSURE	272-275
CAB WINDOWS	276-281
CLOSED ALTERNATOR	282-283
COUNTERWEIGHT KIT	284-285
DECALS	286-289
DELUXE CAB	290-293
ELECTRICAL CONTROLS KIT	294-299
EUROPEAN ACCESSORIES	300-301
* EUROPEAN ACCESSORIES	302-303
EUROPEAN ACCESSORIES (MASTER CYLINDER)	304-305
EUROPEAN ACCESSORIES (INSULATION & HYDRAULIC MUFFLER)	306-307
FIRE EXTINGUISHER	308-309
FLASHER LIGHTS	310-311
* FOOT CONTROL KIT	312-313
F.O.P.S. KIT	314-315
HAND CONTROL KIT	316-319
HEATER & A/C	320-345
HORN KIT	346-347
LIFT KIT	348-351
LIGHT KIT	352-353
POWER BOB-TACH KIT	354-355
* POWER BOB-TACH KIT	356-357
POWER BOB-TACH (CYLINDER)	358-359
* POWER BOB-TACH (CYLINDER)	360-361
POWER BOB-TACH (VALVE ASSEMBLY)	362-365
* POWER BOB-TACH (VALVE ASSEMBLY)	366-367
PURIFIER	368-369
REAR AUXILIARY HYDRAULICS KIT	370-373
REAR AUXILIARY VALVE	374-375
REAR DOOR LOCK	376-377

863 G-SERIES CONTENTS (Cont'd)

ACCESSORIES & OPTIONS (CONT'D)	238-405
REAR WIPER	378-379
SEAT	380-383
SEAT BELT	384-389
SEVEN PIN CONNECTOR KIT	390-391
SOUND OPTION	392-395
STROBE LIGHT	396-397
TIRES & RIMS	398-403
BULK ITEMS	404-405
NUMERICAL INDEX	406-463
NUMERICAL INDEX	406-463

MAIN FRAME

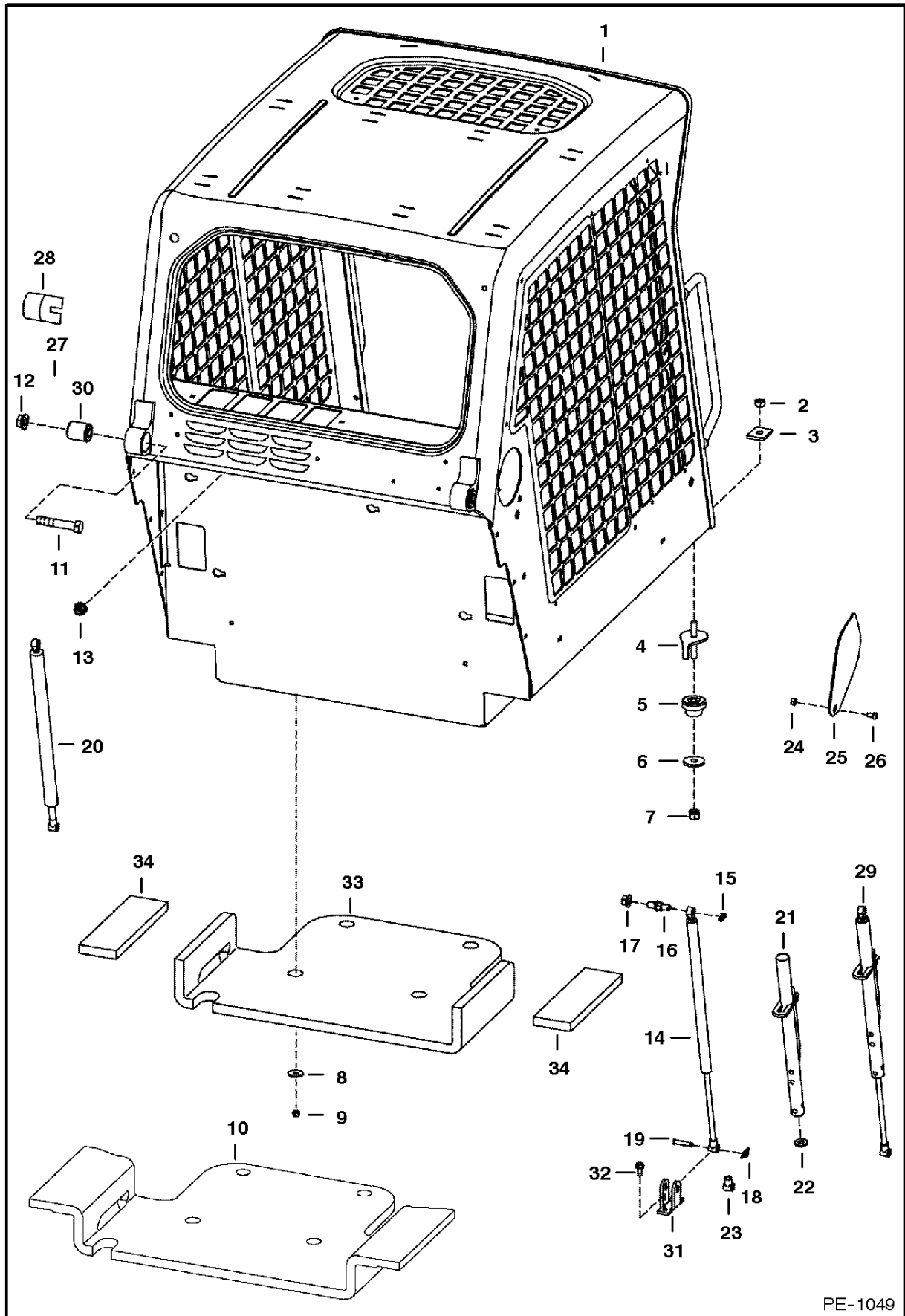


TS-1028

MAIN FRAME

Ref.N°	Part N°	Description	Remarks	Serial N°	Qty.
1	6703963	INSULATION	crossmember		1
2	6703964	INSULATION	crossmember		1
3	6703965	INSULATION	crossmember		1
4	6703969	INSULATION	crossmember		1
5	6703967	INSULATION	fender		2
6	6703968	INSULATION	transmission		2
7	6553411	BUSHING			1
8	6731121	PLUG	Was 11F-12 [A]		1
9	6719225	CHAINCASE	(See Page DRIVE TRAIN(6) - Was 6709771 [B]		1
10	53D-12	NUT	Was 83D-12 [B]		18
11	NAP	MAIN FRAME	Order 6725574, also Order 6726451 cover, 6726452 cover, Ref. MAIN FRAME(19) (8) & Ref. MAIN FRAME(27) (4) Was 6718303 [B]	& Bel.	1
11	6725574	MAIN FRAME		& Abv.	1
12	31C-1228	BOLT			20
13	6719168	COVER	Was 6719201 [A]		2
14		COVER	See Page DISC BRAKE(1) & * DISC BRAKE(2)		1
15	6705047	BUSHING	weld on		2
16	6718544	BUSHING	weld on - Was 6710744 [B]		2
17	6713823	BUSHING	weld on		2
18		COVER	See Page DISC BRAKE(1) & * DISC BRAKE(2)		1
19	84G-3712	BOLT			27
20	84G-3716	BOLT			8
21	6670627	BREATHER			1
22	6719333	INSULATION	blower housing		1
23		COVER	See Page DISC BRAKE(1) & * DISC BRAKE(2)		1
24	6700182	COVER			1
25	6719086	COVER	pump - right - Was 6717110 [B]	& Bel.	1
25	6726451	COVER	pump - right	& Abv.	1
25	6719085	COVER	pump - left - Was 6717111 [B]	& Bel.	1
25	6726452	COVER	pump - left	& Abv.	1
26	6633583	SEALANT	chaincase cover		x
27	6730078	COVER	cylinder hole	& Abv.	4
28	6599645	PLUG			1
29	6702164	SPACER	flexible		2
30	6579106	SHIM			4
31	6706485	HOOK	tie down - weldAon		2
32	6708987	BRACKET	weldAon		2
33	6718545	BUSHING	weldAon - Was 6710745 [B]		2
34	6706867	TUBELINE	Was 6706857 [B,D]		2
35	6718486	PLUG			2
36	6718796	PLUG	front crossmember & right fender - Was 6660646 [A]		2
37	6719332	INSULATION	blower housing		1
38	6731939	BRACE			2

OPERATOR CAB

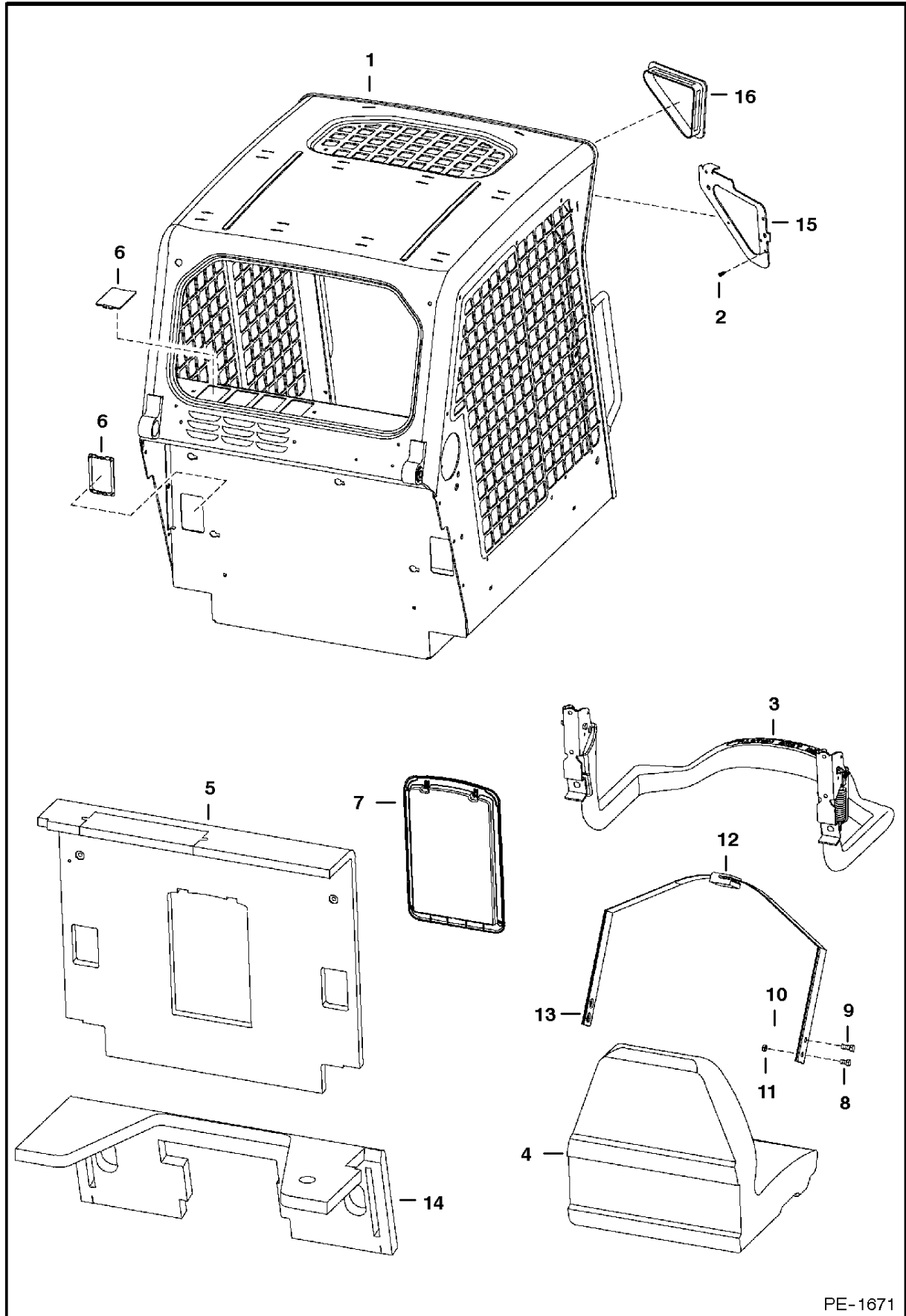


PE-1049

OPERATOR CAB

Ref.N°	Part N°	Description	Remarks	Serial N°	Qty.
1	6719672	OPERATOR CAB	does not include cab decals		1
2	59D-8	NUT			2
3	6553709	WASHER	rectangular		2
4	6702971	BOLT			2
5	6560633	MOUNT			2
6	6515817	WASHER			2
7	85D-8	NUT			2
8	619021	WASHER			4
9	59D-5	NUT			4
10	NAP	INSULATION	seat pan - Order 6729013 insulation & 6729012 (2) insulation - Was 6706982 [A]		1
11	17C-1056	BOLT			2
12	53D-10	NUT			2
13	53D-6	NUT			4
14	6675135	GAS SPRING	R.H.		1
15	6675140	SNAP RING			2
16	6719064	MOUNT	Was 6719005 [B,D]		2
17	83D-8	NUT			2
18	6631418	PIN	ring		2
19	6567743	PIN			2
20	6675134	GAS SPRING	L.H.		1
20	6675136	GAS SPRING	L.H. - for a cab W/ enclosure		1
21	6708189	TUBE	stop - R.H.		1
22	6701174	WASHER			1
23	6675257	ROD END			1
24	95D-5	NUT			2
25	6718784	COVER			2
26	25G-512	BOLT	Was 25G-510 [B]		2
27	6675033	INSERT			1
28	6579613	STOP			2
29	NAP	GAS SPRING	R.H. - W/ latch - Order Ref. OPERATOR CAB(14) & OPERATOR CAB(21)-OPERATOR CAB(23) - Was 6719072 [A]		1
30	6562602	BUSHING			2
31	6706349	MOUNT	gas spring		2
32	84G-3112	BOLT			4
33	6729013	INSULATION	seat pan		1
34	6729012	INSULATION	seat pan		2

OPERATOR CAB

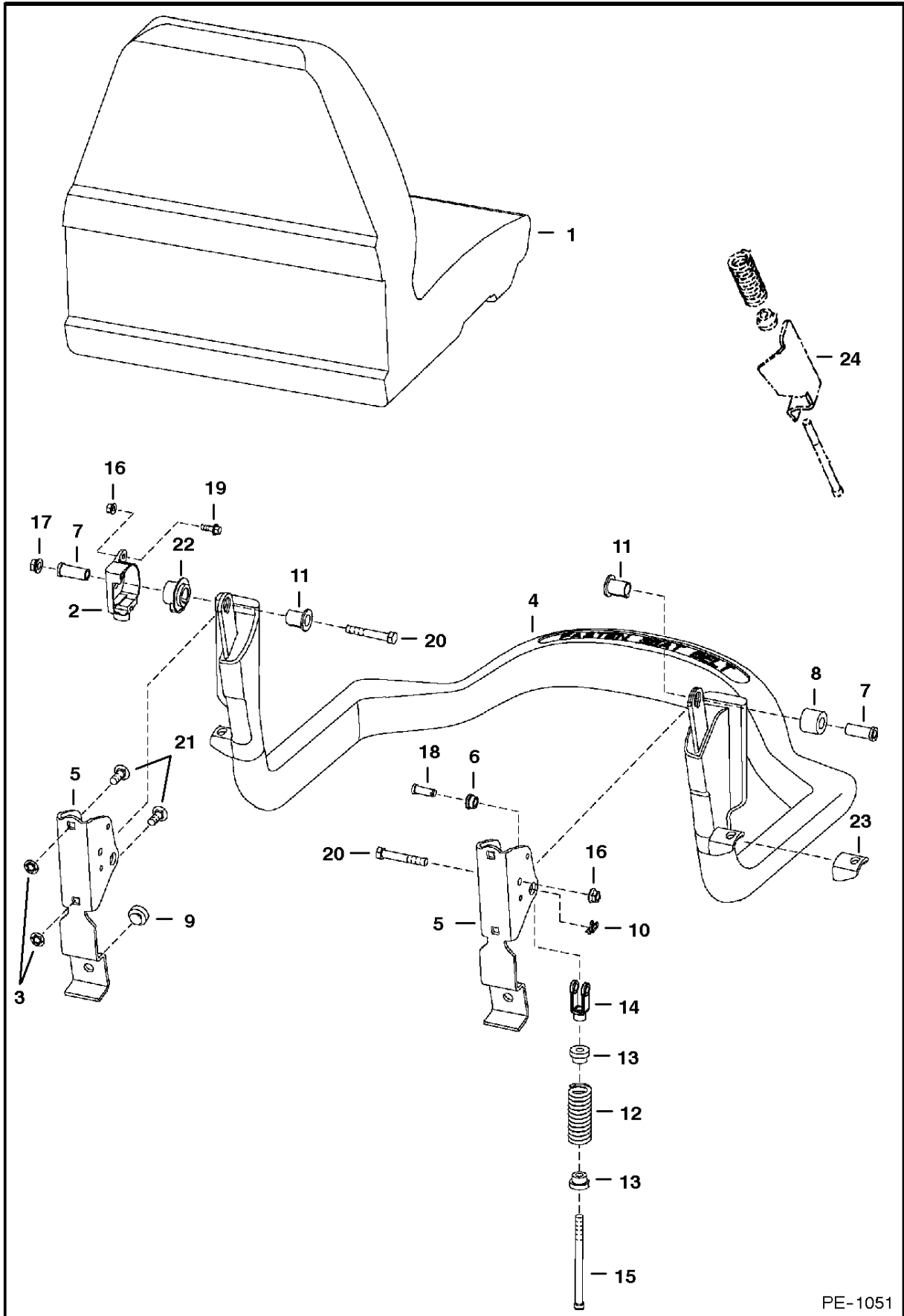


PE-1671

OPERATOR CAB

Ref.N°	Part N°	Description	Remarks	Serial N°	Qty.
1	6719672	OPERATOR CAB	does not include cab decals		1
2	6675033	INSERT			6
3		SEAT BAR	See Page SEAT & SEAT BAR(2)		1
4		SEAT	See Page SEAT & SEAT BAR(2)		1
5	6717516	INSULATION			1
6	6718101	COVER			6
7	6719503	CONTAINER	manuals - Was 6718508 [A]		1
7	6675524	CLIP			2
7	6725301	COVER			1
7	6725303	FRAME			1
8	17C-612	BOLT			2
9	17C-716	BOLT			2
10	85D-7	NUT			2
11	85D-6	NUT			2
12	NAP	SEAT BELT	Order 6675074 seat belt & Ref. OPERATOR CAB(13) (2) (6725373 spring plate) - Was 6667875 [A]		1
12	NAP	SEAT BELT	W/spring plates - Order 6675074 seat belt & Ref. OPERATOR CAB(13) (2) (6725373 spring plate) - Was 6725403 [A]		1
12	6675074	SEAT BELT	W/O spring plates		1
13	NAP	GUIDE	Order 6711908 spring plate, 6565355 guide & 6630207 rivet (2) - Was 6711907 [A]		2
13	6711908	SPRING PLATE	use W/Ref. OPERATOR CAB(12) (NAP/ 6667875 seat belt)		2
13	6725373	SPRING PLATE	use W/Ref. OPERATOR CAB(12) (6675074 seat belt)		2
14	6727299	INSULATION	Was 6719406 [A]		1
15	NSS	FRAME	L.H. - weldAon		1
15	NSS	FRAME	R.H. - weldAon		1
16	6674403	COVER	no lights		2

SEAT & SEAT BAR

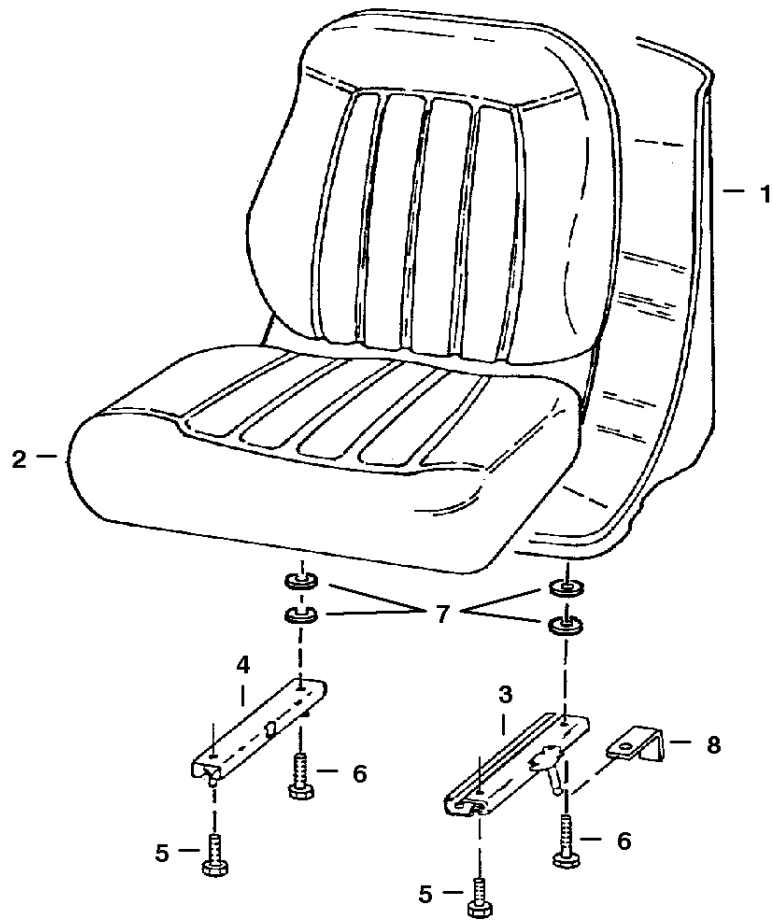


PE-1051

SEAT & SEAT BAR

Ref.N°	Part N°	Description	Remarks	Serial N°	Qty.
1		SEAT	See Page SEAT(1)		1
2	6674406	SENSOR			1
3	6674894	NUT			4
4	6715860	SEAT BAR			1
5	6715863	BRACKET			1
6	6715864	BUSHING			2
7	6715865	BUSHING			2
8	6715866	BUSHING			1
9	6519178	BUMPER			2
10	6631418	PIN	ring		2
11	6664882	BUSHING	keyed		2
12	6701535	SPRING			2
13	6710659	BUSHING			2
14	6713589	CLEVIS			2
15	6713887	BOLT			2
16	83D-4	NUT			1
17	53D-6	NUT			2
18	4F-6106	PIN			2
19	35C-412	BOLT			1
20	17C-640	BOLT			2
21	10C-616	BOLT			4
22	6674405	BUSHING			1
23	NAP	MOUNT	Order Ref. SEAT & SEAT BAR(4)	S/N & Abv.	2
24	NAP	MOUNT	Order Ref. SEAT & SEAT BAR(4)	S/N & Bel.	2

SEAT (Michigan)



B-14720

SEAT

Ref.N°	Part N°	Description	Remarks	Serial N°	Qty.
1	6669135	SEAT	W/Ref. SEAT(2)-SEAT(7)		1
2	6670160	CUSHION	W/ edging, clip & (2) grommets		1
2	NSS	EDGING			1
2	NSS	CLIP			1
3	6674013	TRACK	L.H. - W/ latch		1
4	6669089	TRACK	R.H. - W/O latch		1
5	25G-512	BOLT			2
6	25G-520	BOLT			2
7	6672715	SPACER	Was 7000010 [A]		4
8	6668953	BRACKET			2

Thank you so much for reading.
Please click the “Buy Now!”
button below to download the
complete manual.



After you pay.

You can download the most
perfect and complete manual in
the world immediately.

Our support email:

ebooklibonline@outlook.com