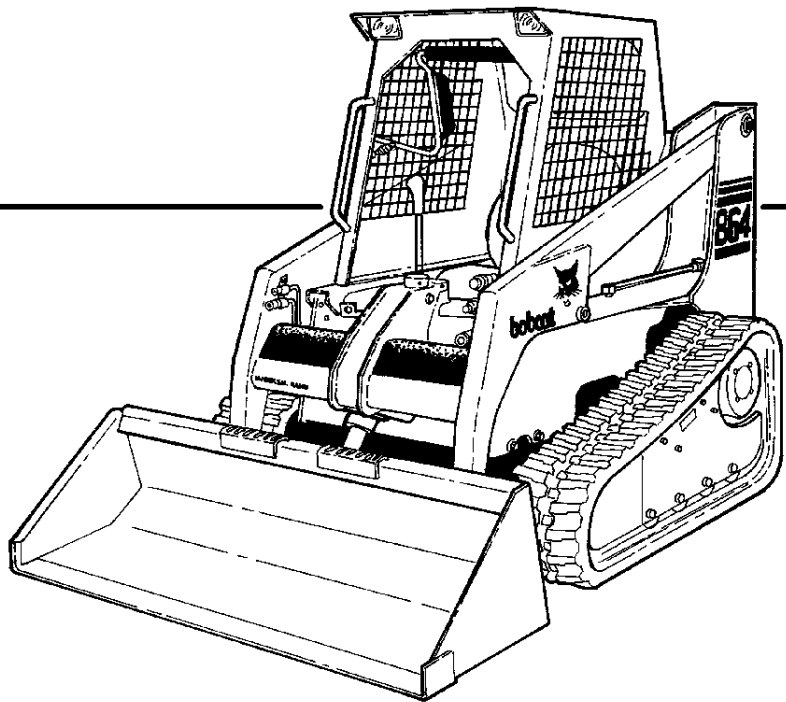


864



Parts Manual

S/N 5169 11001 & Above



864 ALPHABETICAL INDEX

ADHESIVE	274	LOCK, REAR DOOR	258
AIR CLEANER	150	LUBRICANT	274
ALTERNATOR	124, 130, 142, 156	MAIN FRAME	12
BATTERY	124, 130	MOTOR	36
BEACON	187	MOUNT, HYDRO. PUMP	156
BELT, TIMING	168	OIL	274
BLACK GOLD	274	OIL PAN	172
BOB-TACH	24, 26	PAINT	274
BOOT, RUBBER	28	PANEL, INSTRUMENT	122
CAB	14	PEDALS, CONTROL	56
CAB ENCLOSURE	198, 201	PISTON	176
CABLE, BATTERY	124, 130	POLISH	274
CAMSHAFT	168	PUMP, FUEL	30
CAP, FUEL	30	QUICK COUPLERS	50
CONTROL VALVE	48	SEALANT	274
COOLING FAN DRIVE ASSY.	160	SEAT	16, 20, 270
CRANKSHAFT	176	SEAT BAR	16
CYLINDER, LIFT	53	SEAT BELT	271
CYLINDER, TILT	52	SENDER, FUEL	30, 124, 130
DISPLAY, LCD	122	SENDER, HYDRO. PRESS.	124
DOOR, CAB	198	SHOCK CONTROLS	100
DOOR, REAR	22	SOLENOID	132
DRIVECASE	12	STARTER	124, 130, 144, 152, 156
ENGINE	156	STOP, LIFT ARM	24
EXT RMVL R WIN KIT	220	STROBE LIGHT	267, 268
FAN	146	SWITCH	126
FILTER, FUEL	30	SWITCH, ENG. OIL PRESS. .	124, 130
FIRE EXTINGUISHER	221	SWITCH, ENG. TEMP.	124, 130
FUEL SYSTEM	30	SWITCH, HYDRO. TEMP.	124, 130
GAS SPRING	14, 198	SWITCH, IGNITION	120, 122
GASKET KITS, ENG.	162	SWITCH, LIGHT	122
GLOW PLUG	163	TANK, FUEL	30
GUAGE, ENG. TEMP.	120	THROTTLE	158
GUAGE, FUEL	120	TILT CYLINDER	42, 44
HEAD, CYLINDER	166	TURBOCHARGER	172
HORN	249	VALVE COVER	166
HOURMETER	120	VALVE, BRAKE	115
HOURMETER KIT	251	VALVE, BUCKET POSITIONING ...	84
IGNITION SWITCH	120, 122	VALVE, CONTROL	70, 74, 78
INJECTOR PUMP	178	VALVE, HYD. CONTROL ...	58, 62, 66
LATCH, REAR DOOR	22	VOLTMETER	120
LEVER, PINTLE	100	WINDOW, REAR	204
LIFT CYLINDER	42, 44	WINDOW, SIDE	204
LIGHT	122	WINDSHIELD WIPER	260

864 CONTENTS

MAIN FRAME	11-32
MAIN FRAME	11-12
OPERATOR CAB	13-14
SEAT & SEAT BAR	15-18
SUSPENSION SEAT	19-20
REAR DOOR	21-22
LIFT ARM & BOB-TACH	23-24
BOB-TACH	25-26
PANELS	27-28
FUEL SYSTEM	29-32
DRIVE SYSTEM	33-44
BRAKE	33-34
DRIVE TRAIN	35-36
TRACK TENSIONER	37-38
FRONT IDLER	39-40
REAR IDLER	41-42
TRACK ROLLER	43-44
HYDRAULIC SYSTEM	45-92
HYDRAULIC CIRCUITRY	45-50
MANUAL LIFT RELEASE SYSTEM	51-52
AUXILIARY HYDRAULICS	53-54
TILT CYLINDER	55-56
LIFT CYLINDER	57-58
MANUAL LIFT RELEASE VALVE	59-60
CONTROL PEDALS	61-62
HYDRAULIC CONTROL VALVE	63-70
* HYDRAULIC CONTROL VALVE	71-86
BICS CONTROL VALVE	87-88
BUCKET POSITIONING VALVE	89-90
HIGH HORSEPOWER HYDRAULICS	91-98
HIGH HORSEPOWER HYDRAULICS	91-98
HYDROSTATIC SYSTEM	99-128
HYDROSTATIC CIRCUITRY	99-104
HAND CONTROLS	105-106
HYDROSTATIC MOTOR & BRAKE	107-110
HYDROSTATIC PUMP	111-118
GEAR PUMP	119-120
BRAKE VALVE	121-122
HYDROSTATIC OIL FILTER	123-128
ELECTRICAL SYSTEM	129-154
CAB ELECTRICAL CIRCUITRY	129-132
ENGINE ELECTRICAL CIRCUITRY	133-144
ELECTRICAL CONTROLS CIRCUITRY	145-150
ALTERNATOR	151-152
STARTER	153-154
POWER UNIT	155-192
COOLING SYSTEM	155-158
ENGINE & ATTACHING PARTS	159-166
THROTTLE	167-168
COOLING FAN DRIVE ASSY.	169-170
ENGINE & GASKET KITS	171-172
MANIFOLDS	173-174
CYLINDER HEAD & COVER	175-176
CAMSHAFT	177-178

864 CONTENTS (Cont'd)

POWER UNIT (CONTD')	155-192
FRONT COVER	179-180
CRANKCASE & OIL PAN	181-184
PISTON & CRANKSHAFT	185-186
FUEL INJECTION SYSTEM	187-188
OIL PUMP	189-190
AIR CLEANER	191-192
ACCESSORIES & OPTIONS	195-306
ACCESS COVER	195-198
BACK-UP ALARM KIT	199-200
BEACON LIGHT	201-202
BLOCK HEATER	203-206
BOB-TACH LEVERS	207-208
BUCKET POSITIONING KIT	209-210
CAB DOOR	211-214
CAB ENCLOSURE	215-220
CAB WINDOWS	221-222
CLOSED ALTERNATOR	223-224
* DECALS	225-228
ELECTRICAL CONTROLS KIT	229-234
* ELECTRICAL CONTROLS KIT	235-236
ENGINE MOUNT KIT	237-238
* EXTERNAL WINDOW REMOVAL KIT	239-240
FIRE EXTINGUISHER	241-242
FLASHER LIGHTS	243-244
4-WAY FLASHER LIGHT KIT	245-246
HAND CONTROLS KIT	247-250
* HAND CONTROL KIT	251-254
HANDLE KITS	255-256
HEATER KIT - SINGLE	257-258
HEATER - SINGLE	259-260
HEATER PLUMBING KIT - SINGLE HEATER	261-262
HEATER KIT - DUAL	263-264
HEATER - DUAL	265-270
HORN KIT	271-272
* HORN KIT	273-274
HOURLY METER KIT	275-276
KEYLESS IGNITION	277-278
LIGHT KIT	279-280
PURIFIER	281-282
RADIATOR SCREEN KIT	283-284
REAR DOOR LOCK	285-286
REAR WIPER	287-288
RENTAL KIT	289-290
SEAT BAR KIT	291-292
SIDE CONSOLE KIT	293-294
SOUND OPTION	295-296
STROBE LIGHT	297-300
SUSPENSION SEAT	301-302
3" SEAT BELT	303-304
BULK ITEMS	305-306
NUMERICAL INDEX	307-355
NUMERICAL INDEX	307-355

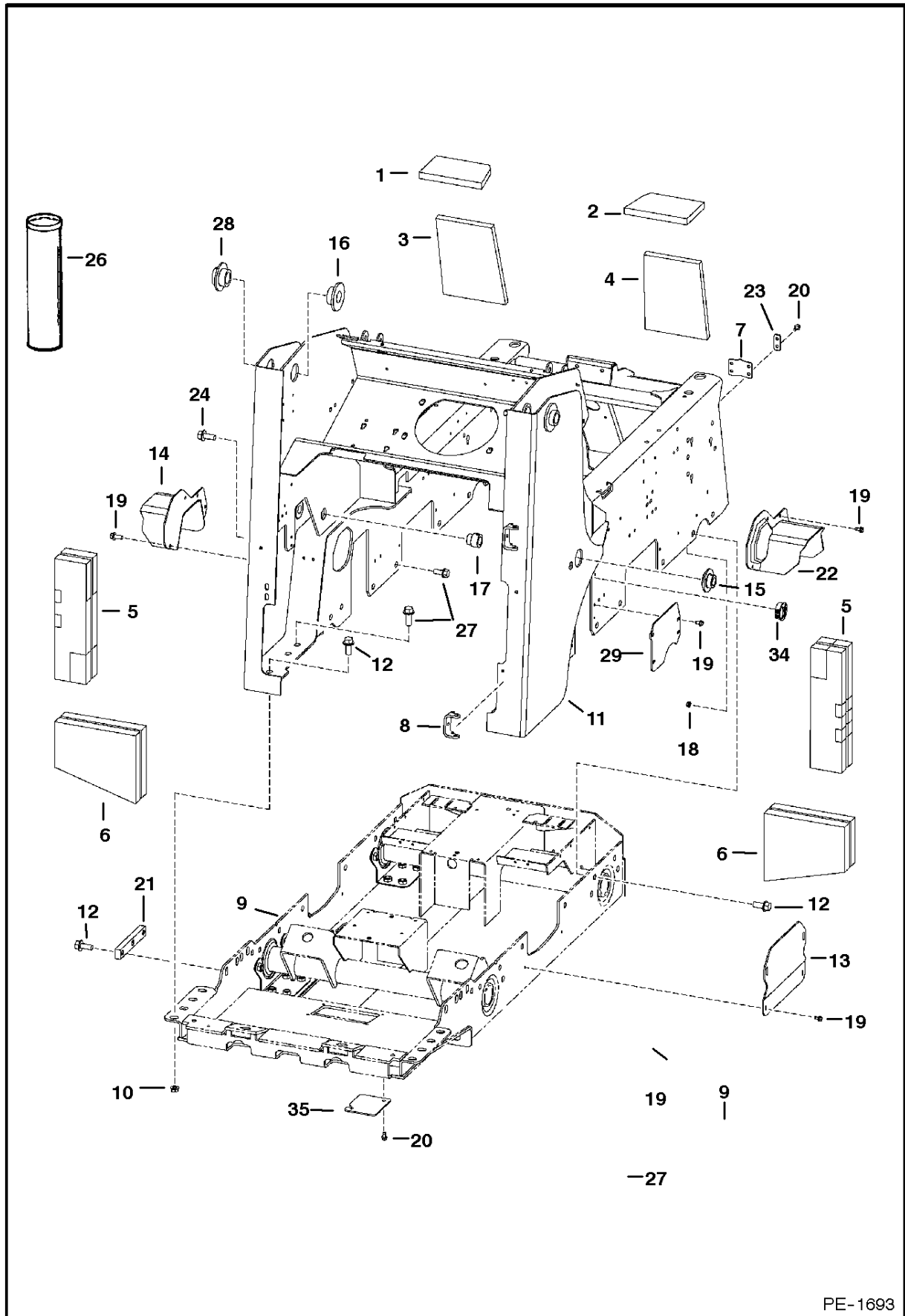
864 CONTENTS

MAIN FRAME	11-32
MAIN FRAME	11-12
OPERATOR CAB	13-14
SEAT & SEAT BAR	15-18
SUSPENSION SEAT	19-20
REAR DOOR	21-22
LIFT ARM & BOB-TACH	23-24
BOB-TACH	25-26
PANELS	27-28
FUEL SYSTEM	29-32
DRIVE SYSTEM	33-44
BRAKE	33-34
DRIVE TRAIN	35-36
TRACK TENSIONER	37-38
FRONT IDLER	39-40
REAR IDLER	41-42
TRACK ROLLER	43-44
HYDRAULIC SYSTEM	45-92
HYDRAULIC CIRCUITRY	45-50
MANUAL LIFT RELEASE SYSTEM	51-52
AUXILIARY HYDRAULICS	53-54
TILT CYLINDER	55-56
LIFT CYLINDER	57-58
MANUAL LIFT RELEASE VALVE	59-60
CONTROL PEDALS	61-62
HYDRAULIC CONTROL VALVE	63-70
* HYDRAULIC CONTROL VALVE	71-86
BICS CONTROL VALVE	87-88
BUCKET POSITIONING VALVE	89-90
HIGH HORSEPOWER HYDRAULICS	91-98
HIGH HORSEPOWER HYDRAULICS	91-98
HYDROSTATIC SYSTEM	99-128
HYDROSTATIC CIRCUITRY	99-104
HAND CONTROLS	105-106
HYDROSTATIC MOTOR & BRAKE	107-110
HYDROSTATIC PUMP	111-118
GEAR PUMP	119-120
BRAKE VALVE	121-122
HYDROSTATIC OIL FILTER	123-128
ELECTRICAL SYSTEM	129-154
CAB ELECTRICAL CIRCUITRY	129-132
ENGINE ELECTRICAL CIRCUITRY	133-144
ELECTRICAL CONTROLS CIRCUITRY	145-150
ALTERNATOR	151-152
STARTER	153-154
POWER UNIT	155-192
COOLING SYSTEM	155-158
ENGINE & ATTACHING PARTS	159-166
THROTTLE	167-168
COOLING FAN DRIVE ASSY.	169-170
ENGINE & GASKET KITS	171-172
MANIFOLDS	173-174
CYLINDER HEAD & COVER	175-176
CAMSHAFT	177-178

864 CONTENTS (Cont'd)

POWER UNIT (CONTD')	155-192
FRONT COVER	179-180
CRANKCASE & OIL PAN	181-184
PISTON & CRANKSHAFT	185-186
FUEL INJECTION SYSTEM	187-188
OIL PUMP	189-190
AIR CLEANER	191-192
ACCESSORIES & OPTIONS	195-306
ACCESS COVER	195-198
BACK-UP ALARM KIT	199-200
BEACON LIGHT	201-202
BLOCK HEATER	203-206
BOB-TACH LEVERS	207-208
BUCKET POSITIONING KIT	209-210
CAB DOOR	211-214
CAB ENCLOSURE	215-220
CAB WINDOWS	221-222
CLOSED ALTERNATOR	223-224
* DECALS	225-228
ELECTRICAL CONTROLS KIT	229-234
* ELECTRICAL CONTROLS KIT	235-236
ENGINE MOUNT KIT	237-238
* EXTERNAL WINDOW REMOVAL KIT	239-240
FIRE EXTINGUISHER	241-242
FLASHER LIGHTS	243-244
4-WAY FLASHER LIGHT KIT	245-246
HAND CONTROLS KIT	247-250
* HAND CONTROL KIT	251-254
HANDLE KITS	255-256
HEATER KIT - SINGLE	257-258
HEATER - SINGLE	259-260
HEATER PLUMBING KIT - SINGLE HEATER	261-262
HEATER KIT - DUAL	263-264
HEATER - DUAL	265-270
HORN KIT	271-272
* HORN KIT	273-274
HOURLY METER KIT	275-276
KEYLESS IGNITION	277-278
LIGHT KIT	279-280
PURIFIER	281-282
RADIATOR SCREEN KIT	283-284
REAR DOOR LOCK	285-286
REAR WIPER	287-288
RENTAL KIT	289-290
SEAT BAR KIT	291-292
SIDE CONSOLE KIT	293-294
SOUND OPTION	295-296
STROBE LIGHT	297-300
SUSPENSION SEAT	301-302
3" SEAT BELT	303-304
BULK ITEMS	305-306
NUMERICAL INDEX	307-355
NUMERICAL INDEX	307-355

MAIN FRAME



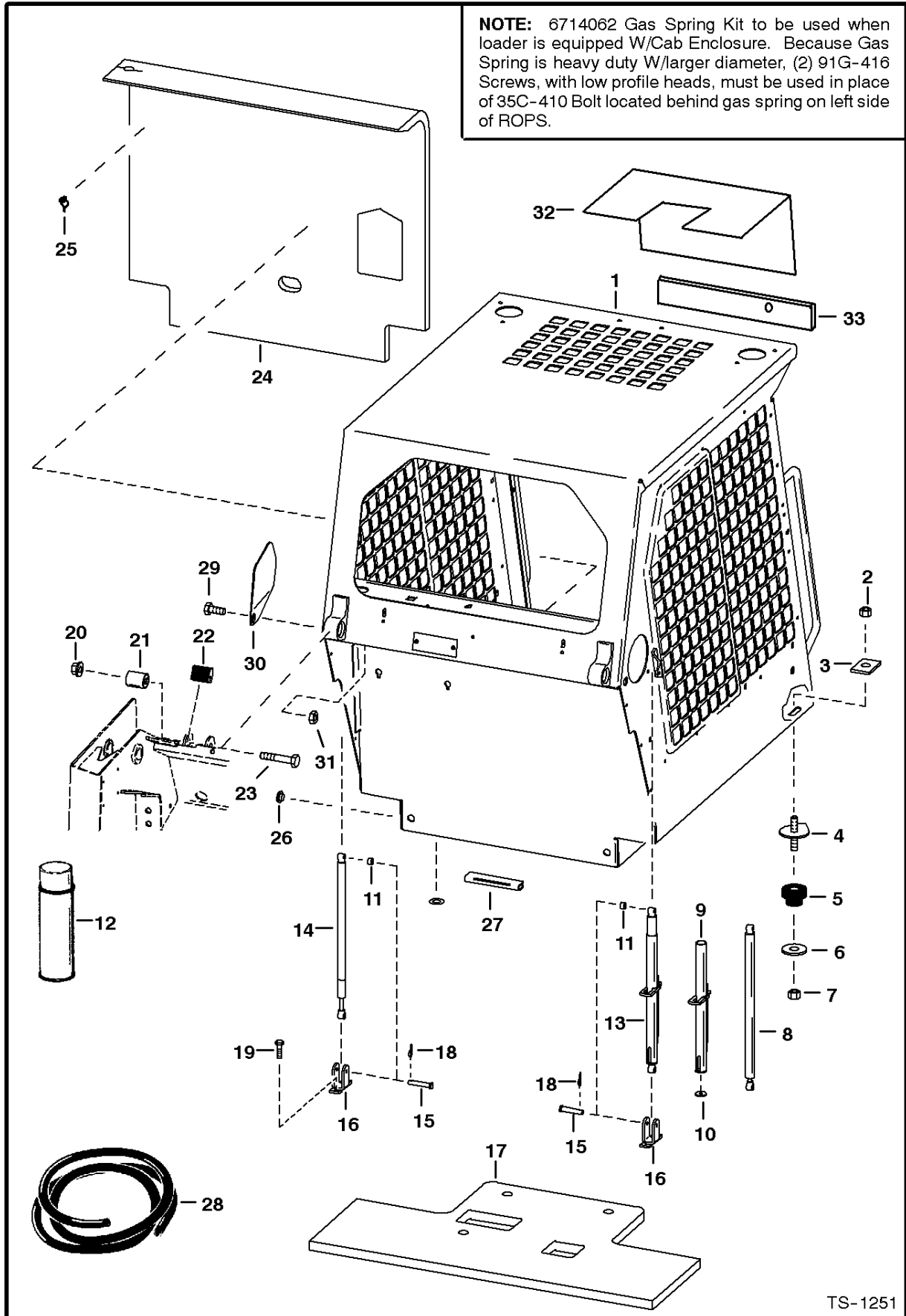
PE-1693

MAIN FRAME

Ref.N°	Part N°	Description	Remarks	Serial N°	Qty.
1	6703963	INSULATION	crossmember		1
2	6703964	INSULATION	crossmember		1
3	6703965	INSULATION	crossmember		1
4	6703969	INSULATION	crossmember		1
5	6703967	INSULATION	fender		2
6	6703968	INSULATION	transmission		2
7	6702164	SPACER	flexible		2
8	6708987	BRACKET	weldAon		2
9	6719359	DRIVECASE	See Page DRIVE TRAIN(5) - Was 6716862 [A]		1
10	83D-12	NUT			18
11	6709924	MAIN FRAME			1
12	31C-1228	BOLT			20
13	6719201	COVER	motor - Was 6706808[A]		2
14	6717686	SHIELD	L.H.		1
15	6705047	BUSHING	weldAon		2
16	6710744	BUSHING	weldAon		2
17	6713823	BUSHING	weldAon		2
18	57D-8	NUT			9
19	84G-3712	BOLT			12
20	84G-3716	BOLT			8
21	6706857	BLOCK			2
22	6717682	SHIELD	R.H.		1
23	6579106	SHIM			4
24	84G-3112	BOLT			1
25	37C-628	BOLT			3
26	6633583	SEALANT	drivecase cover		x
27	31C-1232	BOLT			4
28	6710745	BUSHING	weldAon		2
29		COVER	motor		2
30	6719522	INSULATION	transmission		1
31	6660646	PLUG	right fender & front crossmember		2
32	6719332	INSULATION	blower housing		1
33	6719333	INSULATION	blower housing		1
34	6718796	PLUG			2
35	6716010	COVER	fuel & hyd.		1

OPERATOR CAB

NOTE: 6714062 Gas Spring Kit to be used when loader is equipped W/Cab Enclosure. Because Gas Spring is heavy duty W/larger diameter, (2) 91G-416 Screws, with low profile heads, must be used in place of 35C-410 Bolt located behind gas spring on left side of ROPS.



TS-1251

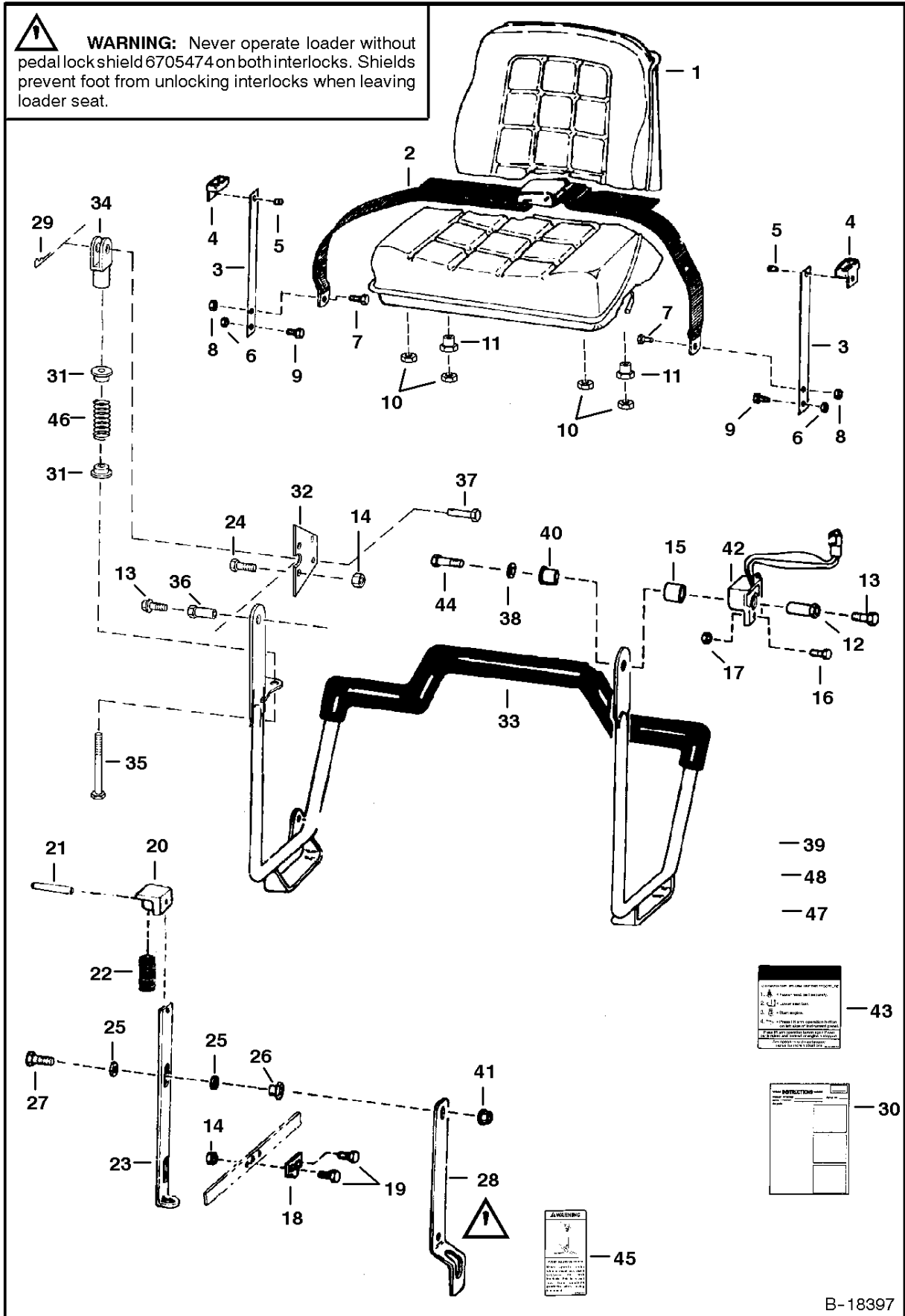
OPERATOR CAB

Ref.N°	Part N°	Description	Remarks	Serial N°	Qty.
1	6701957	OPERATOR CAB	W/Decals		1
2	59D-8	NUT			2
3	6553709	WASHER			2
4	6702971	BOLT			2
5	6560633	MOUNT			2
6	6515817	WASHER			2
7	85D-8	NUT			2
8	6664205	GAS SPRING			1
9	6708189	TUBE	stop		1
10	6701174	WASHER			1
11	6567604	SPACER			2
12	6652818	ADHESIVE	insulation - 24 oz. spray can		x
13	NAP	GAS SPRING	Order Ref. OPERATOR CAB(8)-OPERATOR CAB(10)		1
14	6700171	GAS SPRING	W/O lock		1
14	6714062	KIT	W/O lock - heavy duty gas spring - SEE NOTE		1
14	91G-416	BOLT	SEE NOTE		2
14	6900531	INSTRUCTIONS	for kit 6714062		1
15	6567743	PIN			4
16	6706349	MOUNT			2
17	6715095	INSULATION	seat pan - use W/Ref. OPERATOR CAB(12)		1
18	6631418	PIN	ring		4
19	84G-3112	BOLT			4
20	53D-10	NUT			2
21	6562602	BUSHING	rubber		2
22	6579613	STOP	cab tilt		2
23	17C-1056	BOLT			2
24	6708682	INSULATION	seat back - Use W/Ref. OPERATOR CAB(25)		1
25	6664310	CLIP	insulation		8
26	6664374	PLUG	heater hole		5
27	NAP	MOULDING	6'(152,4 mm) long-Order Ref. OPERATOR CAB(28)		1
28	6512686	SEAL	bulk - Sold Per Foot		x
29	17C-512	BOLT			1
30	6707879	COVER			1
31	83D-5	NUT			1
32	6701674	INSULATION	steering panel		1
33	6716800	INSULATION	panel		1
34	NAP	MOULDING	10.5' (266mm) long - Order Ref. OPERATOR CAB(35)		2
35	6654139	MOULDING	bulk - sold per foot		x
36	6571991	WASHER			2
37	6670688	BUSHING			1

SEAT & SEAT BAR



WARNING: Never operate loader without pedal lock shield 6705474 on both interlocks. Shields prevent foot from unlocking interlocks when leaving loader seat.



B-18397

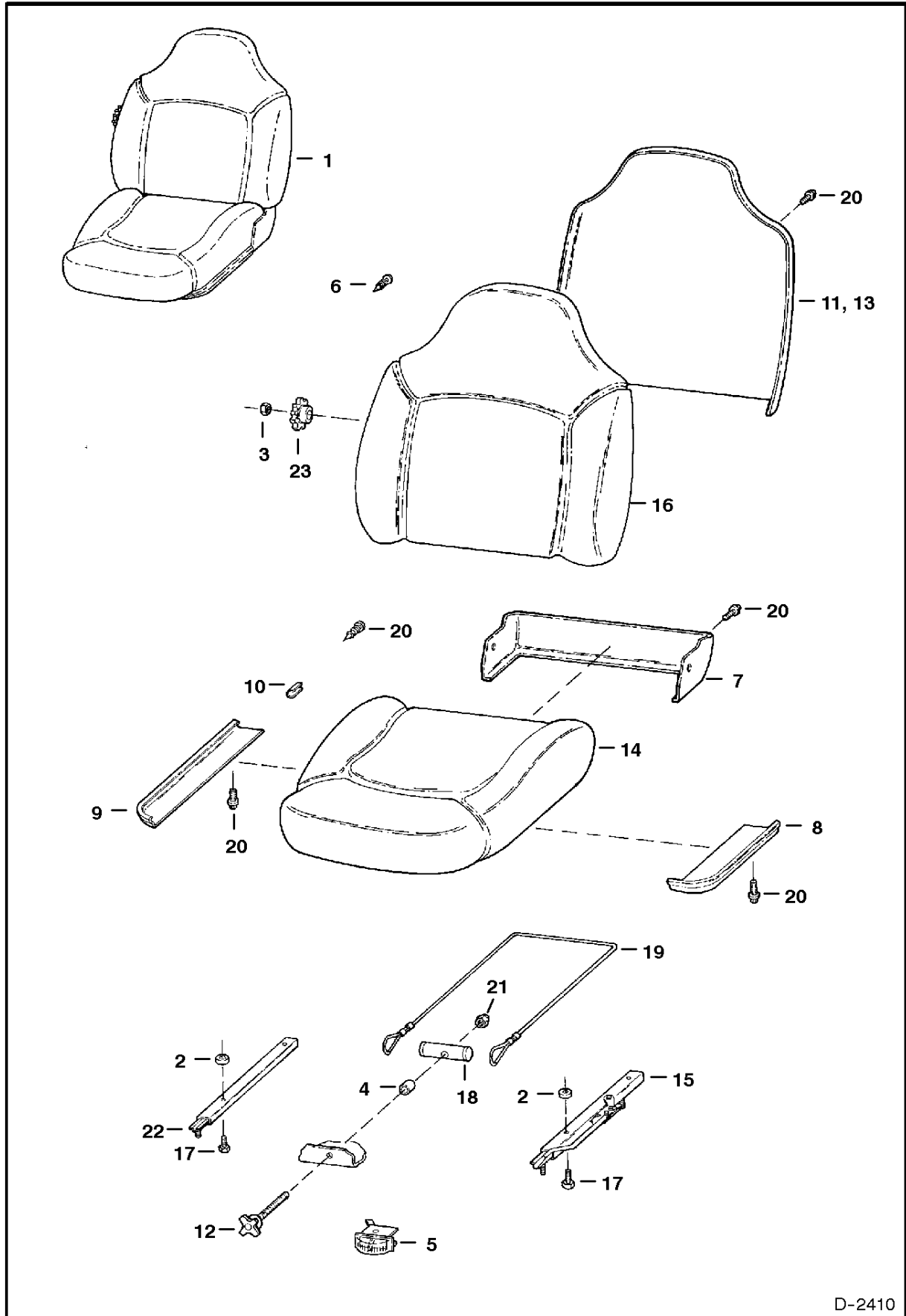
SEAT & SEAT BAR

Ref.N°	Part N°	Description	Remarks	Serial N°	Qty.
1		SEAT	See Page SUSPENSION SEAT(1)		1
2	NAP	SEAT BELT	W/ guide assys. - Order 6675074 seat belt & (2) of Ref. SEAT & SEAT BAR(3) (6725373 spring plate) - Was 6667875[A]		1
2	NAP	SEAT BELT	W/ spring plates - Order 6675074 seat belt & (2) of Ref. SEAT & SEAT BAR(3) (6725373 spring plate) - Was 6725403 [A]		1
2	6675074	SEAT BELT	W/O spring plates		1
3	NAP	GUIDE ASSY.	W/Ref. SEAT & SEAT BAR(4) & SEAT & SEAT BAR(5) - Order 6711908 spring plate, Ref. SEAT & SEAT BAR(4) & (2) Ref. SEAT & SEAT BAR		2
3	6711908	SPRING PLATE	11.8' (300mm) long - use W/Ref. SEAT & SEAT BAR(2) (NAP/6667875 seat belt)		2
3	6725373	SPRING PLATE	10' (254mm) long - use W/Ref. SEAT & SEAT BAR(2) (6775074 seat belt)		2
4	6565355	GUIDE			2
5	6630207	RIVET			4
6	85D-6	NUT			2
7	17C-716	BOLT			2
8	85D-7	NUT			2
9	17C-612	BOLT			2
10	59D-5	NUT			4
11	6571991	WASHER			2
12	6706685	BUSHING			1
13	35C-612	BOLT			2
14	91D-7	NUT			2
15	6671135	BUSHING	magnetic		1
16	35C-410	BOLT	fastens thru tab of Ref. SEAT & SEAT BAR(11)		2
16	6710539	BOLT	fastens thru body of Ref. SEAT & SEAT BAR(11)		1
17	83D-4	NUT	fastens thru tab of Ref. SEAT & SEAT BAR(11)		2
17	50D-12	NUT	fastens thru body of Ref. SEAT & SEAT BAR(11)		1
18	6563151	LINK			2
19	17C-616	BOLT			4
20	6563148	BLOCK			2
21	14J-2512	PIN			2
22	6702430	SPRING			2
23	6578150	LOCK			2
24	17C-712	BOLT			2
25	6700170	WASHER	plastic		8
26	6559479	NUT			4
27	6705489	BOLT			4
28	6705474	LOCK SHIELD	Never operate loader without pedal lock shield on both interlocks ... SEE WARNING ON PREVIOUS PAGE		2
29	6631418	PIN			1
30	6722392	INSTRUCTIONS	For Ref. SEAT & SEAT BAR(28)		1
31	6710659	BUSHING			2
32	6710660	MOUNT			2
33	6716777	SEAT BAR			1
34	6713589	CLEVIS			1
35	6713887	BOLT			2
36	6706962	BUSHING			1
37	4F-6106	PIN			2
38	25E-17	WASHER			1
39	6571991	WASHER			2
40	6664882	BUSHING	keyed		1
41	59D-6	NUT			5
42	6670652	SENSOR			2
43	6707134	DECAL	instruction for LCS		1

SEAT & SEAT BAR

Ref.N°	Part N°	Description	Remarks	Serial N°	Qty.
44	17C-608	BOLT			2
45	6705720	DECAL			1
46	6701535	SPRING			2
47	6701174	WASHER	flat		2
48	6707318	GUIDE	spacer		2

SUSPENSION SEAT (Michigan)



D-2410

Thank you so much for reading.
Please click the “Buy Now!”
button below to download the
complete manual.



After you pay.

You can download the most
perfect and complete manual in
the world immediately.

Our support email:

ebooklibonline@outlook.com