

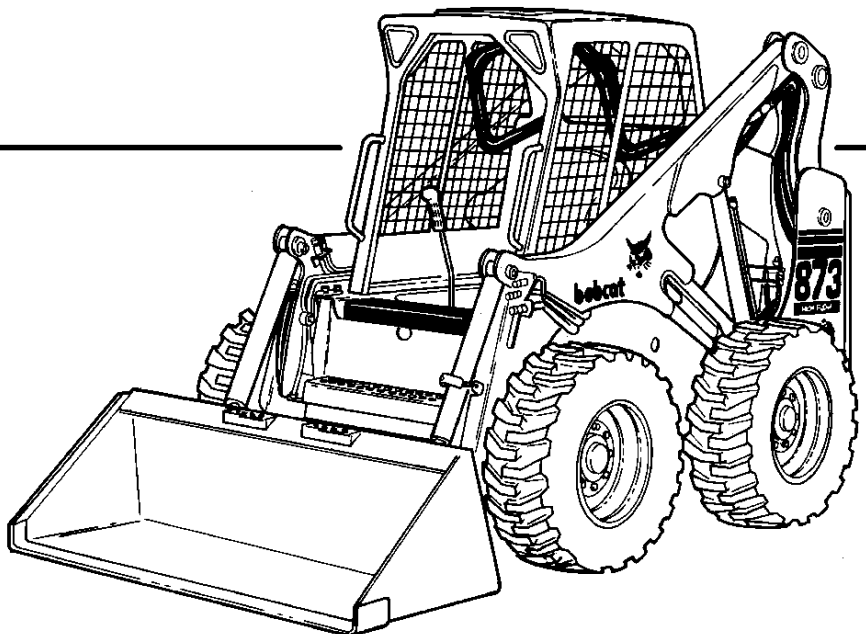
873



Bobcat®

G-Series
**Parts
Manual**

S/N 5141 4001 & Above
S/N 5142 4001 & Above
S/N 5179 11001 & Above



Printed in U.S.A.

6900956 (1-00) Revised (10-00)

© Bobcat Company 2000

873 G-SERIES ALPHABETICAL INDEX

ADHESIVE	298	INJECTOR NOZZLES	182
AIR CLEANER	152, 186	INJECTORS	182
ALTERNATOR	142, 158	LATCH, REAR DOOR	22
ANTI-FREEZE	298	LEVER, PINTLE	94
AUXILIARY HYDRAULICS	52	LIFT ARM	24
AXLE	39	LIGHT KIT	265
BACK UP ALARM	192	LIGHTS, FLASHER	240
BELT, COOLING FAN	148	LOCK, REAR DOOR	280
BELT, MAIN DRIVE	158	LUBRICANT	298
BELT, PUMP DRIVE	156	MAIN FRAME	12
BELT, TIMING	172	MANIFOLD	167
BLACK GOLD	298	MOTOR, HYDRO.	84
BLOCK HEATER	194	MOUNT, ENGINE	158
BLOCK, ENGINE	176	MOUNT, HYDRO. PUMP	160
BOB-TACH	28	MUFFLER	152
BOOT, RUBBER	30	OIL COOLER	88
BUCKET POS. KIT	198	OIL PAN	176
CAB DOOR	202, 206	OIL	298
CAB ENCLOSURE	213	PAINT	298
CAB	14, 16	PANEL, INSTRUMENT	124, 126
CAMSHAFT	172	PEDALS, CONTROL	62
CAP, FUEL	32	PISTON	180
CAP, HYD. OIL	84	POLISH	298
CHAINCASE	12	PUMP, GEAR	117
COOLING FAN DRIVE ASSY.	164	PUMP, HYDRO	102, 106
CRANKSHAFT	180	PUMP, OIL	185
CYLINDER HEAD	170	PURIFIER	275
CYLINDER, BOBTACH	269	RADIATOR	150
CYLINDER, LIFT	59	REAR AUXILIARY KIT	278
CYLINDER, TILT	42, 46, 56, 58	RIM	294
DECALS	220	SEALANT	298
DIPSTICK, ENG. OIL	176	SEAT BELT	283, 288
DISC BRAKE	38	SEAT	19, 20
DOOR, CAB	202, 206	SENDER, FUEL	32
DOOR, REAR	22	SHOCK CONTROLS	94
DRIVE MOUNT ASSY	36	SPROCKET, AXLE	39
ENGINE	156, 158	STARTER	146
EXTERNAL REMOVAL R. WIN KIT	214	STOP, LIFT ARM	26
FAN	148	STROBE LIGHT	293
FILTER, AIR	186	SWITCH, IGNITION	124, 126
FILTER, ENG. OIL	176	TANK, FUEL	32
FILTER, FUEL	32	TANK, HYDRO	84
FILTER, HYD. OIL	88	THROTTLE	162
FIRE EXTINGUISHER	238	TIRE	294
FLASHER LIGHTS	240	TOOL HOLDER	22
FUEL SYSTEM	32	TURBOCHARGER	176
GAS SPRING	14, 202, 206	VALVE STEM	294
GASKET KITS, ENG.	166	VALVE, BKT. POS.	74
H-FRAME	24	VALVE, ENGINE	170
HARNESS, CAB	124, 126	VALVE, HYD. CONTROL	64, 70
HARNESS, LIGHTS	265	WINDOW, REAR	216, 224
HEATER	250, 254, 256	WINDOW, SIDE	216
HORN	261	WIPER, WINDSHIELD	202
HUB, AXLE	39		

873 G-SERIES CONTENTS

MAIN FRAME	11-34
MAIN FRAME	11
OPERATOR CAB	13, 15
SEAT & SEAT BAR	17
SEAT	19, 20
REAR DOOR	21
LIFT ARMS & BOBTACH	23
BOB-TACH	27
PANELS	29
FUEL SYSTEM	31
DRIVE TRAIN	35-41
DRIVE TRAIN	35
MOTOR CARRIER	36
DISC BRAKE	37-40
AXLE	41
HYDRAULIC SYSTEM	43-76
HYDRAULIC CIRCUITRY	43-50
LIFT & TILT CONTROL CIRCUITRY	51
AUXILIARY HYDRAULICS	53-56
TILT CYLINDER	57-60
LIFT CYLINDER	61
MANUAL LIFT RELEASE VALVE	62
CONTROL PEDALS	63
HYDRAULIC CONTROL VALVE	65-75
BUCKET POSITIONING VALVE	76
HIGH HORSEPOWER HYDRAULICS	77-84
HIGH HORSEPOWER HYDRAULICS	77-84
HYDROSTATIC SYSTEM	85-124
HYDROSTATIC CIRCUITRY	85-94
HAND CONTROLS	95
HYDROSTATIC MOTOR	97
HYDROSTATIC MOTOR & BRAKE	99-102
HYDROSTATIC PUMP	103-118
GEAR PUMP	119-120
2-SPEED VALVE	121
HYDROSTATIC OIL FILTER	123-124
ELECTRICAL SYSTEM	125-154
CAB ELECTRICAL CIRCUITRY	125-128
ENGINE ELECTRICAL	129-132
ELECTRICAL CONTROLS	133-148
ALTERNATOR	149-152
STARTER	153
POWER UNIT	155-196
COOLING SYSTEM	155-160
ENGINE & ATTACHING PARTS	161-170
THROTTLE	171
COOLING FAN DRIVE ASSY	173
ENGINE & GASKET KITS	175-194
OIL PUMP	195
AIR CLEANER	196

873 G-SERIES CONTENTS (Cont'd)

ACCESSORIES & OPTIONS	197-314
ACCESS COVER	199
ACCESSORIES HARNESS	200
BACK-UP ALARM KIT	201
BEACON	203
BLOCK HEATER	204-206
BUCKET POSITIONING KIT	207
BUCKET SHIELD KIT	209
CAB DOOR	211-217
CAB ENCLOSURE	219-223
CAB WINDOWS	224- 225
COUNTERWEIGHT KIT	227
DEBRIS EJECTOR KIT	228
DECALS	229-232
DELUXE CAB	233-236
ELECTRICAL CONTROLS KIT	238-242
EUROPEAN ACCESSORIES	243-248
FIRE EXTINGUISHER	250
FLASHER LIGHTS	251
F.O.P.S. KIT	253
GAS SPRING KIT	254
HAND CONTROL KIT	255-258
HEATER & A/C	260-278
HORN KIT	279
LIFT KIT	280
LIFT ARM KIT	281
LIGHT KIT	283
POWER BOB-TACH KIT	285
POWER BOB-TACH CYLINDER	287
POWER BOB-TACH	289-292
PURIFIER	293
REAR AUXILIARY HYDRAULICS	295
REAR AUXILIARY VALVE	297
REAR DOOR LOCK	298
REAR WIPER	299
SEAT	301-304
SEAT BELT	305-307
SEVEN PIN CONNECTOR KIT	308
SOUND OPTION	309
STROBE LIGHT	311
TIRES & RIMS	312-314
BULK ITEMS	315-316
BULK ITEMS	315
NUMERICAL INDEX	317-370
NUMERICAL INDEX	317-370

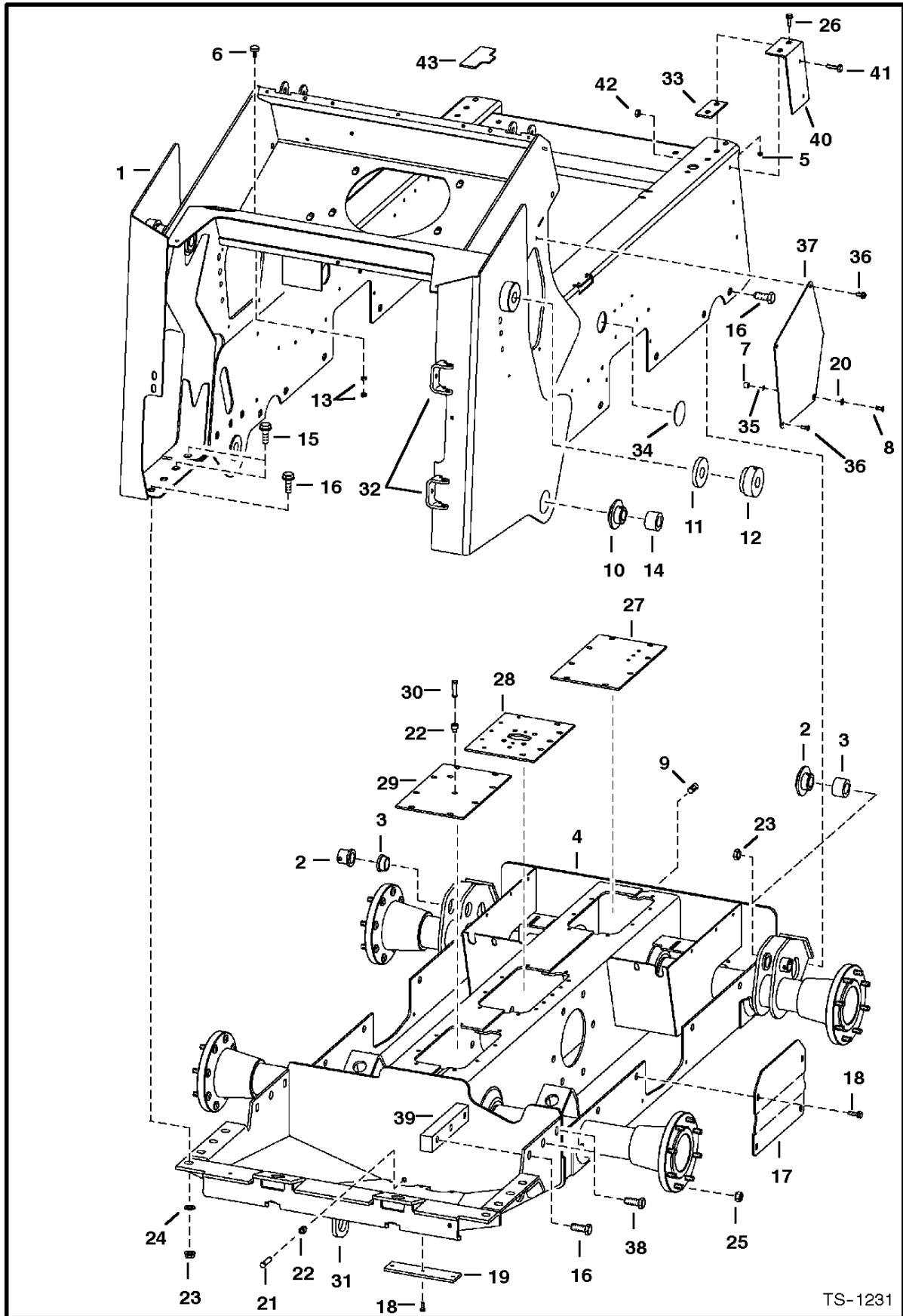
873 G-SERIES CONTENTS

MAIN FRAME	11-34
MAIN FRAME	11
OPERATOR CAB	13, 15
SEAT & SEAT BAR	17
SEAT	19, 20
REAR DOOR	21
LIFT ARMS & BOBTACH	23
BOB-TACH	27
PANELS	29
FUEL SYSTEM	31
DRIVE TRAIN	35-41
DRIVE TRAIN	35
MOTOR CARRIER	36
DISC BRAKE	37-40
AXLE	41
HYDRAULIC SYSTEM	43-76
HYDRAULIC CIRCUITRY	43-50
LIFT & TILT CONTROL CIRCUITRY	51
AUXILIARY HYDRAULICS	53-56
TILT CYLINDER	57-60
LIFT CYLINDER	61
MANUAL LIFT RELEASE VALVE	62
CONTROL PEDALS	63
HYDRAULIC CONTROL VALVE	65-75
BUCKET POSITIONING VALVE	76
HIGH HORSEPOWER HYDRAULICS	77-84
HIGH HORSEPOWER HYDRAULICS	77-84
HYDROSTATIC SYSTEM	85-124
HYDROSTATIC CIRCUITRY	85-94
HAND CONTROLS	95
HYDROSTATIC MOTOR	97
HYDROSTATIC MOTOR & BRAKE	99-102
HYDROSTATIC PUMP	103-118
GEAR PUMP	119-120
2-SPEED VALVE	121
HYDROSTATIC OIL FILTER	123-124
ELECTRICAL SYSTEM	125-154
CAB ELECTRICAL CIRCUITRY	125-128
ENGINE ELECTRICAL	129-132
ELECTRICAL CONTROLS	133-148
ALTERNATOR	149-152
STARTER	153
POWER UNIT	155-196
COOLING SYSTEM	155-160
ENGINE & ATTACHING PARTS	161-170
THROTTLE	171
COOLING FAN DRIVE ASSY	173
ENGINE & GASKET KITS	175-194
OIL PUMP	195
AIR CLEANER	196

873 G-SERIES CONTENTS (Cont'd)

ACCESSORIES & OPTIONS	197-314
ACCESS COVER	199
ACCESSORIES HARNESS	200
BACK-UP ALARM KIT	201
BEACON	203
BLOCK HEATER	204-206
BUCKET POSITIONING KIT	207
BUCKET SHIELD KIT	209
CAB DOOR	211-217
CAB ENCLOSURE	219-223
CAB WINDOWS	224- 225
COUNTERWEIGHT KIT	227
DEBRIS EJECTOR KIT	228
DECALS	229-232
DELUXE CAB	233-236
ELECTRICAL CONTROLS KIT	238-242
EUROPEAN ACCESSORIES	243-248
FIRE EXTINGUISHER	250
FLASHER LIGHTS	251
F.O.P.S. KIT	253
GAS SPRING KIT	254
HAND CONTROL KIT	255-258
HEATER & A/C	260-278
HORN KIT	279
LIFT KIT	280
LIFT ARM KIT	281
LIGHT KIT	283
POWER BOB-TACH KIT	285
POWER BOB-TACH CYLINDER	287
POWER BOB-TACH	289-292
PURIFIER	293
REAR AUXILIARY HYDRAULICS	295
REAR AUXILIARY VALVE	297
REAR DOOR LOCK	298
REAR WIPER	299
SEAT	301-304
SEAT BELT	305-307
SEVEN PIN CONNECTOR KIT	308
SOUND OPTION	309
STROBE LIGHT	311
TIRES & RIMS	312
BULK ITEMS	315-316
BULK ITEMS	315
NUMERICAL INDEX	317-370
NUMERICAL INDEX	317-370

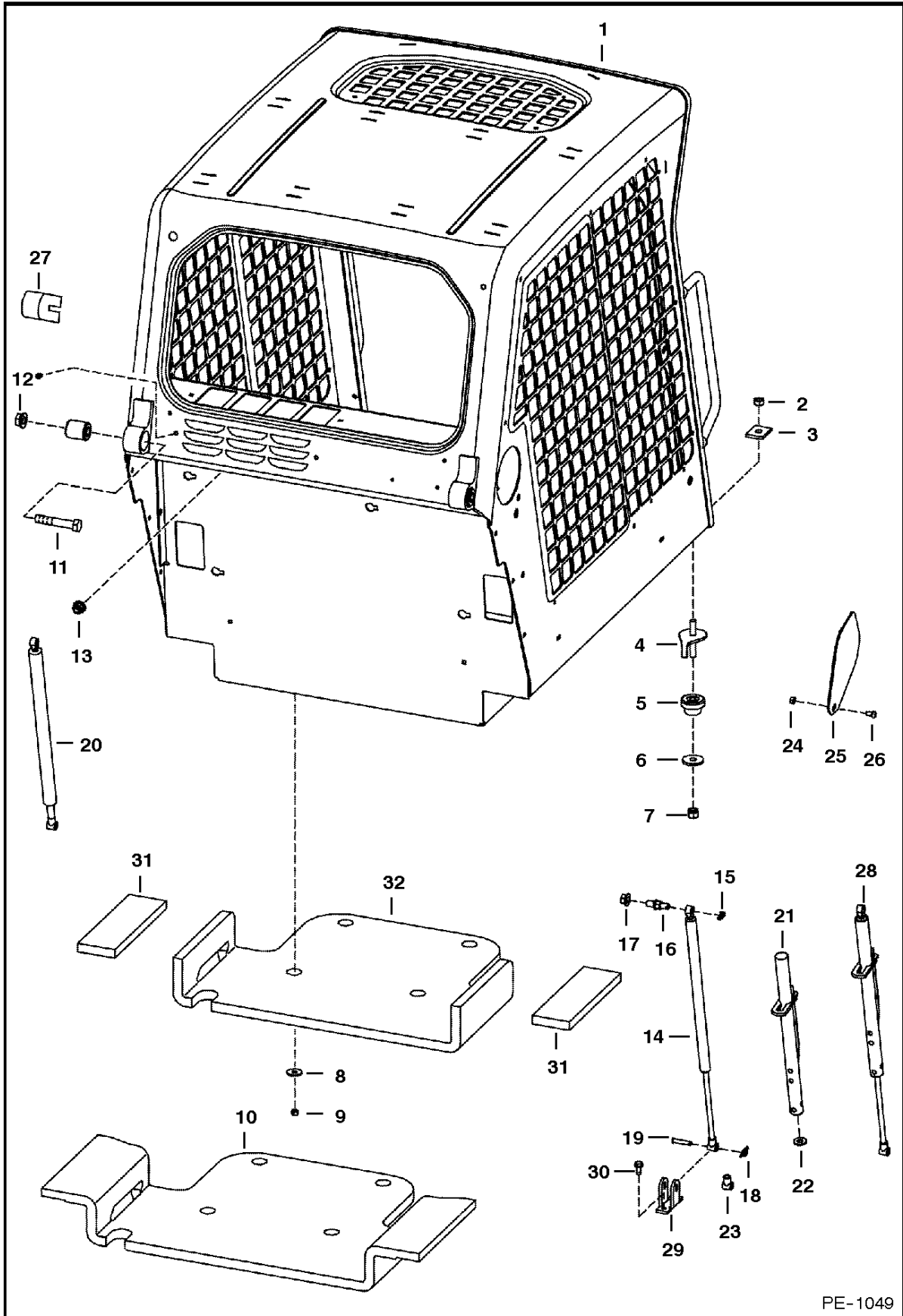
MAIN FRAME



MAIN FRAME

Ref.N°	Part N°	Description	Remarks	Serial N°	Qty.
1	6728479	MAIN FRAME	Was 6717837 [A]		1
2	6716532	BUSHING	weldAon		2
3	6716533	BUSHING	weldAon		2
4		CHAINCASE	See Page DRIVE TRAIN(8) - frame only		1
5	83D-8	NUT			4
6	6655399	BUMPER			4
7	97D-5	NUT			2
8	25G-514	BOLT			1
9	11F-12	PLUG	chaincase fill		1
10	6706712	BUSHING	inside upright weldAon		2
11	6717826	BUSHING	inside upright weldAon		2
12	6717831	BUSHING	outside upright weldAon		2
13	61D-5	NUT			4
14	6709857	BUSHING	outside upright weldAon		2
15	31C-1236	BOLT			4
16	31C-1228	BOLT			18
17	6719168	COVER	Was 6719201 [A]		2
18	84G-3712	BOLT			8
19	6700182	COVER	drain		1
20	25E-15	WASHER			2
21	6599645	PLUG	chaincase drain		1
22	6553411	BUSHING			2
23	53D-12	NUT	83D-12 [A]		20
24	6701097	WASHER			4
25	6564669	NUT	wheel - See Page AXLE(1)		32
26	35C-824	BOLT	used W/metal guide		4
26	35C-832	BOLT	used W/plastic guide		4
27		COVER	See Page DISC BRAKE(1)		1
28		COVER	See Page DISC BRAKE(1)		1
29		COVER	See Page DISC BRAKE(1)		1
30		BREATHER	See Page DISC BRAKE(1)		1
31	6706485	HOOK	tie down - weldAon		2
32	6708987	BRACKET	weldAon		2
33	6709900	SPACER	guide - used W/metal guide		4
33	6709900	SPACER	guide - used W/plastic guide		6
34	6718796	PLUG	Was 6660646 [A]		1
35	6564535	SPACER			2
36	84G-3112	BOLT			4
37	6706730	COVER			2
38	17C-1228	BOLT			4
39	6706857	BLOCK	threaded		2
40	NAP	GUIDE	metal - Order 6718512 (2) also Order 6709900 (2) spacer, 25E-14 (4) washer, 35C-832 (4) bolt & 53C-516 (4) bolt - Was 6709950 [A]		2
40	6718512	GUIDE	plastic		2
41	17C-516	BOLT	used W/metal guide		4
41	53C-516	BOLT	used W/plastic guide		4
42	83D-5	NUT			4
43	6707515	BRACE	weldAon		2
44	25E-14	WASHER	used W/plastic guide		4

OPERATOR CAB

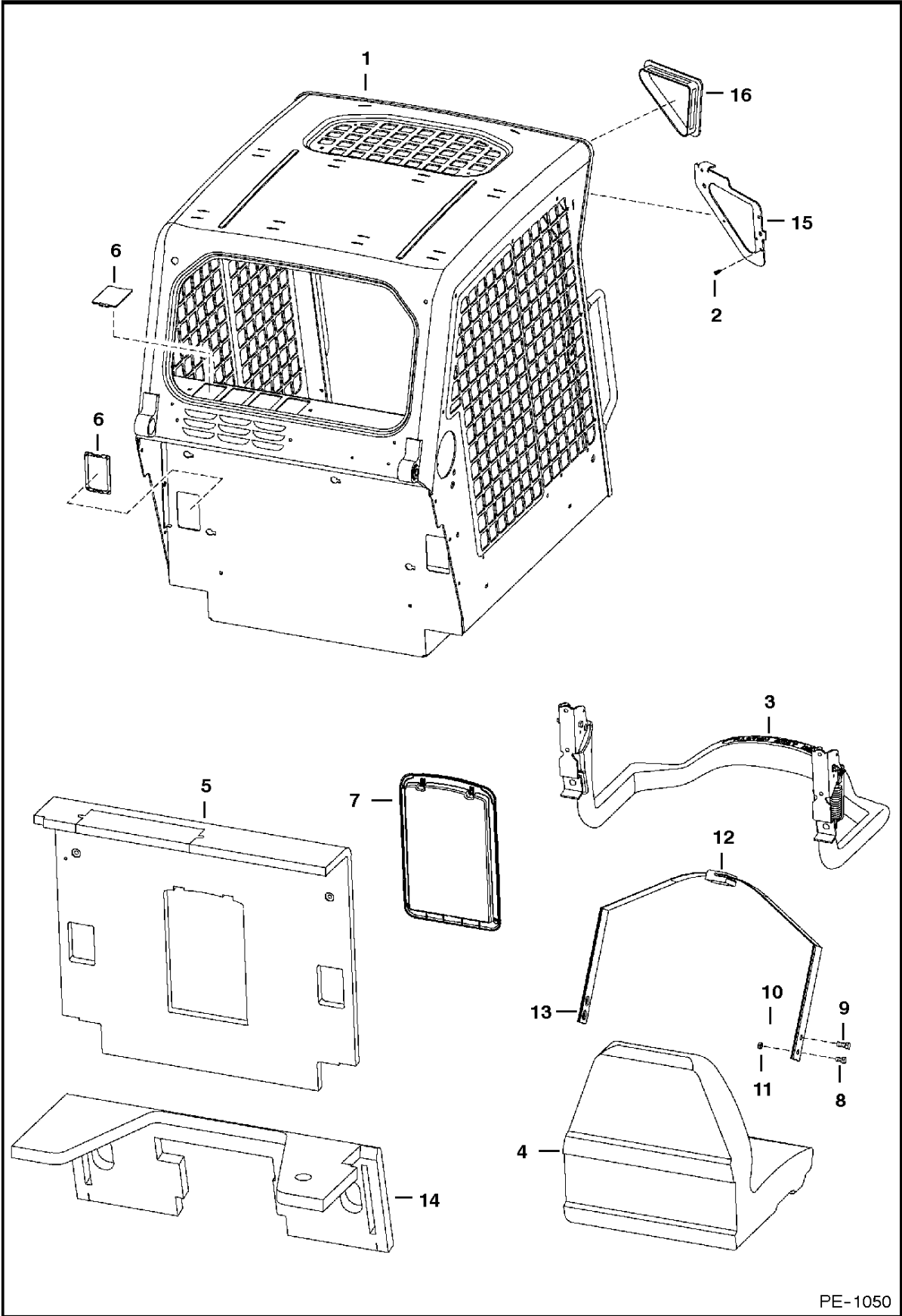


PE-1049

OPERATOR CAB

Ref.N°	Part N°	Description	Remarks	Serial N°	Qty.
1		OPERATOR CAB	includes cab decals		1
2	59D-8	NUT			2
3	6553709	WASHER	rectangular		2
4	6702971	BOLT			2
5	6560633	MOUNT			2
6	6515817	WASHER			2
7	85D-8	NUT			2
8	619021	WASHER			4
9	59D-5	NUT			4
10	NAP	INSULATION	seat pan - Order Ref. OPERATOR CAB(32) & OPERATOR CAB(31) (2) - Was 6719360 [A]		1
11	17C-1056	BOLT			2
12	53D-10	NUT			2
13	53D-6	NUT			4
14	6675135	GAS SPRING	R.H.		1
15	6675140	SNAP RING			2
16	6719064	MOUNT			2
17	83D-8	NUT			2
18	6631418	PIN	ring		2
19	6567743	PIN			2
20	6675137	GAS SPRING	L.H.		1
20	6675139	GAS SPRING	L.H. - for cab W/ enclosure		1
21	6708189	TUBE	stop - R.H.		1
22	6701174	WASHER			1
23	6675258	CLEVIS			1
24	95D-5	NUT			2
25	6718784	COVER			2
26	25G-510	BOLT			2
27	6579613	STOP			2
28	NAP	GAS SPRING	R.H. - W/latch - Order Ref. OPERATOR CAB(14) & OPERATOR CAB(21)-OPERATOR CAB(23) - Was 6719078 [A]		1
29	6706349	MOUNT	gas spring		2
30	84G-3112	BOLT			4
31	6729012	INSULATION	seat pan		2
32	6729013	INSULATION	seat pan		1

OPERATOR CAB

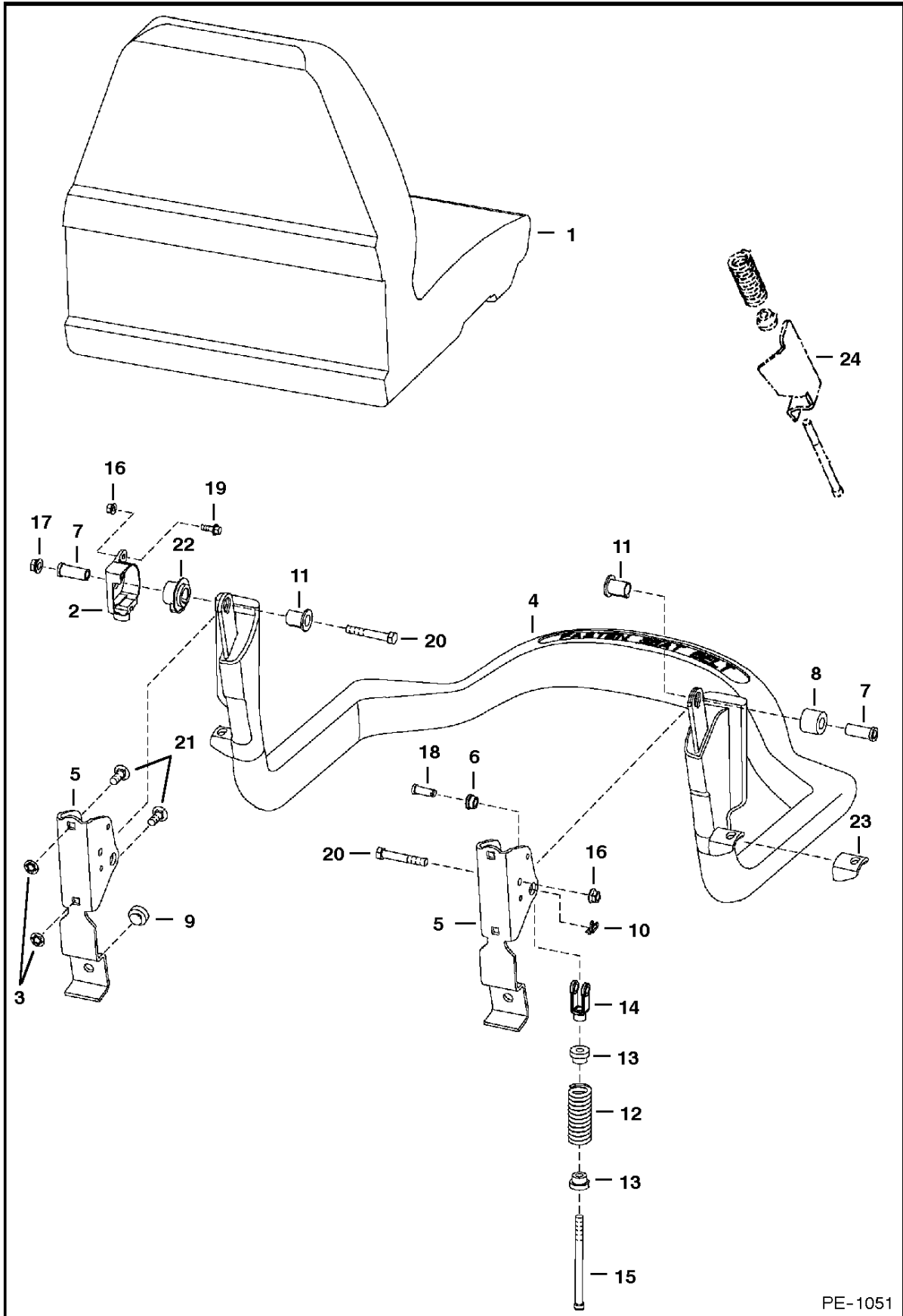


PE-1050

OPERATOR CAB

Ref.N°	Part N°	Description	Remarks	Serial N°	Qty.
1		OPERATOR CAB	includes cab decals		1
2	6675033	INSERT			6
3		SEAT BAR	See Page SEAT & SEAT BAR(2)		1
4		SEAT	See Page SEAT(1), SEAT(1) & SEAT(14)		1
5	6717516	INSULATION			1
6	6718101	COVER			6
7	6719503	CONTAINER	manuals		1
7	6675524	CLIP			2
7	6725301	COVER			1
7	6725303	FRAME			1
8	17C-612	BOLT			2
9	17C-716	BOLT			2
10	85D-7	NUT			2
11	85D-6	NUT			2
12	NAP	SEAT BELT	Order 6675074 seat belt & 6725373 (2) spring plate - Was 6667875 [A]		1
12	NAP	SEAT BELT	W/spring plates - Order 6675074 seat belt & Ref. OPERATOR CAB(13) (2) (6725373 spring plate) - Was 6725403 [A]		1
12	6675074	SEAT BELT	W/O spring plates		1
13	NAP	GUIDE	Order 6711908 spring plate, 6565355 guide & 6630207 (2) rivet - Was 6711907 [A]		2
13	6711908	SPRING PLATE	use W/Ref. OPERATOR CAB(12) (NAP/6667875 seat belt)		2
13	6725373	SPRING PLATE	use W/Ref. OPERATOR CAB(12) (6675074 seat belt)		2
14	6719406	INSULATION			1
15		FRAME	L.H. - weldAon		1
15	NSS	FRAME	R.H. - weldAon		1
16	6674403	COVER	no lights		2

SEAT & SEAT BAR



PE-1051

SEAT & SEAT BAR

Ref.N°	Part N°	Description	Remarks	Serial N°	Qty.
1		SEAT	See Page SEAT(1), SEAT(1) & SEAT(14)		1
2	6674406	SENSOR			1
3	6674894	NUT			4
4	6715860	SEAT BAR			1
5	6715863	BRACKET			1
6	6715864	BUSHING			2
7	6715865	BUSHING			2
8	6715866	BUSHING			1
9	6519178	BUMPER			2
10	6631418	PIN	ring		2
11	6664882	BUSHING	keyed		2
12	6701535	SPRING			2
13	6710659	BUSHING			2
14	6713589	CLEVIS			2
15	6713887	BOLT			2
16	83D-4	NUT			1
17	53D-6	NUT			2
18	4F-6106	PIN			2
19	35C-412	BOLT			1
20	17C-640	BOLT			2
21	10C-616	BOLT			4
22	6674405	BUSHING			1
23	NAP	MOUNT	Order Ref. SEAT & SEAT BAR(4)	S/N & Abv.	2
24	NAP	MOUNT	Order Ref. SEAT & SEAT BAR(4)	S/N & Bel.	2

Thank you so much for reading.
Please click the “Buy Now!”
button below to download the
complete manual.



After you pay.

You can download the most
perfect and complete manual in
the world immediately.

Our support email:

ebooklibonline@outlook.com