

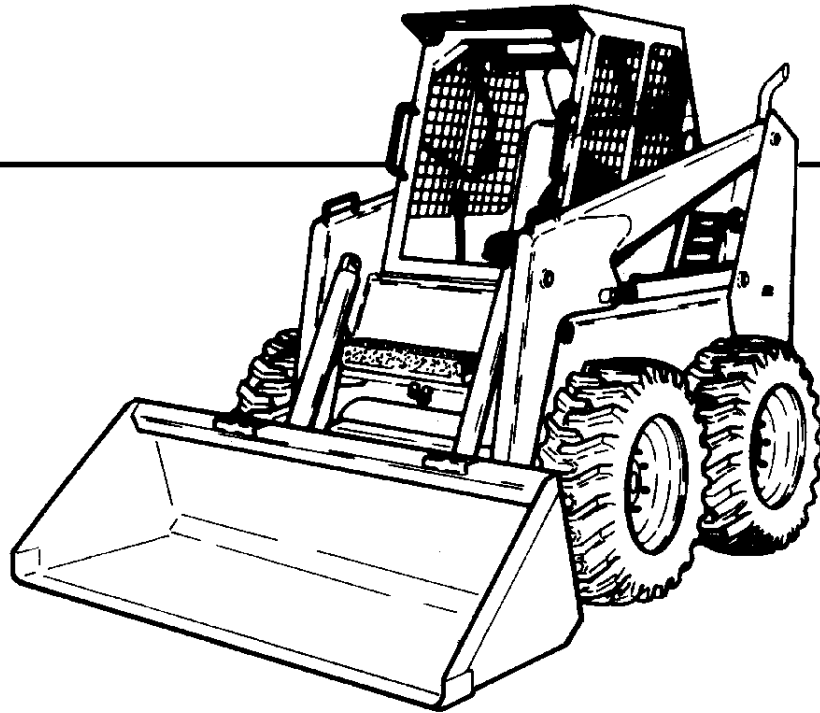
953



Bobcat®

Parts Manual

S/N 5131 11001 & Above
S/N 5131 15001 & Above



**EQUIPPED WITH
BOBCAT INTERLOCK
CONTROL SYSTEM (BICS™)**



Printed in U.S.A.

© Bobcat Company 2000

6724292 (5-98) Revised (10-00)

953 ALPHABETICAL INDEX

ADHESIVE	222	MOUNT HYDRO. PUMP	62
AIR CLEANER	106, 145	MUFFLER	106
ALTERNATOR	100	OIL	222
ANTI-FREEZE	222	OIL COOLER	66
AXLE	41	PAINT	222
BALANCER	131	PANEL INSTRUMENT	92
BATTERY	96	PEDALS CONTROL	49
BELT ALT	112	PISTON	130
BELT DRIVE	110	POLISH	222
BLACK GOLD	222	PORT BLOCK	86
BLOCK HEATER	155	PUMP FUEL	139
BOB-TACH	28	PUMP GEAR	85
BOOT RUBBER	12	PUMP HYDRO.	76, 80, 83
CAB ENCLOSURE	168	PUMP OIL	132
CABLE BATTERY	96	PUMP WATER	133
CAMSHAFT	120	QUICK COUPLERS	48
CAP FUEL	32	RADIATOR	106
CAP HYD. OIL	62	RIM WHEEL	217
CAP RADIATOR	108	RING GEAR	110
CHAINCASE	36	SEALANT	222
CRANKSHAFT	128	SEAT	18, 21, 24, 214, 216
CYLINDER BLOCK	126	SEAT BELT	18, 206
CYLINDER LIFT	50	SENDER ENG. TEMP.	96
CYLINDER TILT	52	SENDER FUEL	32
DECALS	172, 174	SHORT BLOCK	116
DIPSTICK ENG. OIL	138	SOLENOID STARTER FLUID	108
DOOR REAR	26	STARTER	96, 102, 104
ENGINE	116	STOP LIFT ARM	28
FAN	106	STROBE LIGHT	211, 212
FAN MOTOR	88	SWITCH ENG. OIL PRESS.	98
FILTER HYD. OIL	64, 66, 89, 90	SWITCH ETHER START	92
FILTER AIR	145	SWITCH HYDRO. PRESS.	96
FILTER ENG. OIL	126	SWITCH HYDRO. TEMP.	96
FILTER FUEL	142	SWITCH IGNITION	92
FIRE EXTINGUISHER	184	SWITCH LIGHT	92
FLYWHEEL	110	TANK COOLANT	106
FUEL SYSTEM	32	TANK FUEL	32
FUSE	98	TANK HYD.	62
GAS SPRING	14	THERMOSTAT	135
GEARBOX	36, 38	THROTTLE	114
GREASE	222	TIRES	217
GUAGE ENG. TEMP.	92	TOOL HOLDER	26
GUAGE FUEL	92	VALVE COVER	121
HARNESS CAB	92	VALVE BUCKET POS.	55, 58
HARNESS ENGINE	96	VALVE CONTROL	70
HEAD CYLINDER	124	VALVE ENGINE	124
HEATER CAB	186, 188	VALVE HYD. CONTROL	66
HOURMETER	92	VALVE HYDRAULIC	53
LEVER STEERING	70	VOLTMETER	92
LIFT ARMS	28	WINDOW REAR	16, 166
LIGHTS 26	96	WINDOW SIDE	166
LIGHTS FLASHER	185	WINDSHIELD WIPER	158, 182
LUBRICANT	222		
MAIN FRAME	12		
MANIFOLD	118		
MOTOR HYDRO.	74		

953 CONTENTS

MAIN FRAME & ATTACHING PARTS	11-36
MAIN FRAME & ATTACHING PARTS	11-12
OPERATOR CAB	13-16
SEAT & SEAT BAR	17-20
SEAT	21-24
SUSPENSION SEAT	25-26
REAR DOOR	27-28
LIFT ARMS & BOB-TACH	29-30
BOB-TACH	31-32
FUEL SYSTEM	33-36
DRIVE TRAIN	37-44
DRIVE TRAIN	37-38
GEARBOX	39-40
DISC BRAKE	41-42
AXLE	43-44
HYDRAULIC CIRCUITRY	45-70
HYDRAULIC CIRCUITRY	45-48
AUXILIARY HYDRAULIC CIRCUITRY	49-50
CONTROL PEDALS	51-52
LIFT CYLINDER	53-54
TILT CYLINDER	55-58
CONTROL VALVE	59-62
BUCKET POSITION VALVE	63-66
TILT LOCK VALVE	67-68
LIFT LOCK VALVE	69-70
HYDROSTATIC CIRCUITRY	71-106
HYDROSTATIC CIRCUITRY	71-78
HAND CONTROLS	79-82
HYDROSTATIC MOTOR	83-84
HYDROSTATIC PUMP	85-96
GEAR PUMP	97-98
PORT BLOCK	99-100
COOLING FAN MOTOR	101-102
HYDROSTATIC OIL FILTER	103-106
ELECTRICAL SYSTEM	107-120
CAB ELECTRICAL CIRCUITRY	107-110
ENGINE ELECTRICAL	111-114
ALTERNATOR	115-116
STARTER	117-120
POWER UNIT	121-166
ENGINE & ATTACHING PARTS	121-128
THROTTLE	129-130
ENGINE & GASKET KIT	131-132
MANIFOLDS	133-134
TIMING GEARS	135-136
ROCKER ARM COVER	137-138
ROCKER SHAFT	139-140
CYLINDER HEAD	141-142
CYLINDER BLOCK	143-144
CRANKSHAFT & ASSOCIATED PARTS	145-146
CONNECTING ROD & PISTON	147-148
BALANCER	149-150
WATER PUMP	151-152
WATER OULET BODY	153-154
LUBRICATION SYSTEM	155-156
FUEL PUMP	157-158
FUEL FILTER	159-162
FUEL INJECTOR SYSTEM	163-164
AIR CLEANER	165-166

953 CONTENTS (Cont'd)

ACCESSORIES & OPTIONS	169-
AUXILIARY HYDRAULIC CIRCUITRY	169-170
ACCESS COVER	171-172
BACK-UP ALARM KIT	173-174
BATTERY KIT	175-176
BLOCK HEATER	177-178
BOB-TACH CONVERSION KIT	179-180
CAB DOOR	181-188
CAB WINDOWS	189-190
CAB ENCLOSURE	191-194
DECALS	195-198
ETHER KIT	199-200
EUROPEAN ACCESORIES	201-208
FIRE EXTINGUISHER	209-210
FLASHER LIGHTS	211-212
HEATER KIT	213-214
HEATER	215-216
HEATER KIT (FRESH AIR)	217-220
HEATER (FRESH AIR)	221-222
HEATER PLUMBING KIT (FRESH AIR)	223-224
HORN KIT	225-226
HOURMETER KIT	227-228
INSECT SCREEN KIT	229-230
KEYLESS IGNITION	231-232
LIFT EYE KIT	233-234
PURIFIER/EXHAUST KIT	235-236
*PUSH TO OPERATE KIT	237-238
REAR AUXILIARY HYDRAULIC KIT	239-240
RENTAL KIT	241-242
3" SEAT BELT	243-244
SEAT KIT	245-246
SEAT RAIL COVER KIT	247-248
* SEAT SENSOR OVERRIDE	249-250
STROBE LIGHT	251-252
STROBE LIGHT KIT	253-254
SUSPENSION SEAT	255-258
TIRES & RIMS	259-264
WATER LEVEL SENSOR KIT	265-266
BULK ITEMS	267-268
NUMERICAL INDEX	269-312
NUMERICAL INDEX	269-312

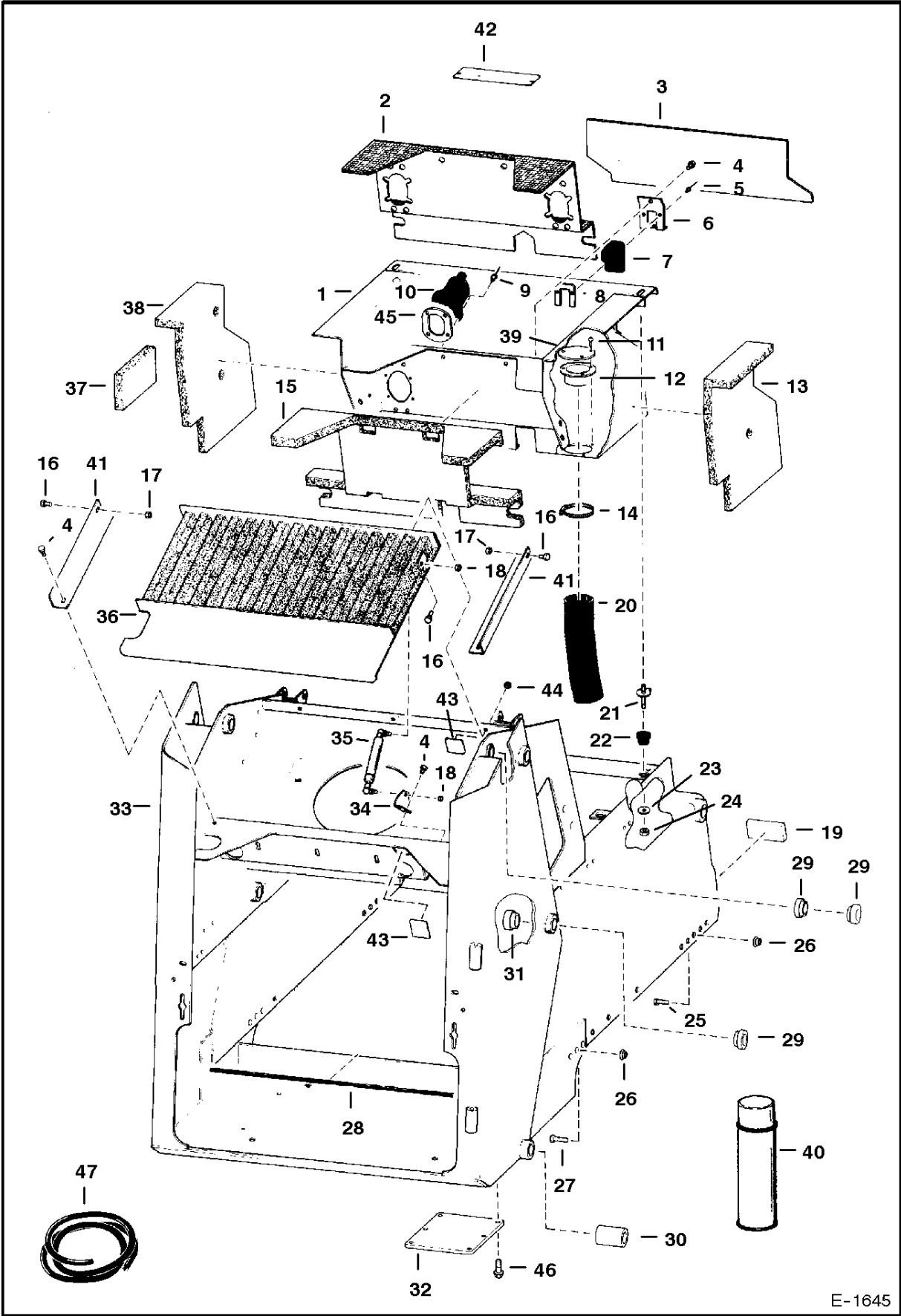
953 CONTENTS

MAIN FRAME & ATTACHING PARTS	11-36
MAIN FRAME & ATTACHING PARTS	11-12
OPERATOR CAB	13-16
SEAT & SEAT BAR	17-20
SEAT	21-24
SUSPENSION SEAT	25-26
REAR DOOR	27-28
LIFT ARMS & BOB-TACH	29-30
BOB-TACH	31-32
FUEL SYSTEM	33-36
DRIVE TRAIN	37-44
DRIVE TRAIN	37-38
GEARBOX	39-40
DISC BRAKE	41-42
AXLE	43-44
HYDRAULIC CIRCUITRY	45-70
HYDRAULIC CIRCUITRY	45-48
AUXILIARY HYDRAULIC CIRCUITRY	49-50
CONTROL PEDALS	51-52
LIFT CYLINDER	53-54
TILT CYLINDER	55-58
CONTROL VALVE	59-62
BUCKET POSITION VALVE	63-66
TILT LOCK VALVE	67-68
LIFT LOCK VALVE	69-70
HYDROSTATIC CIRCUITRY	71-106
HYDROSTATIC CIRCUITRY	71-78
HAND CONTROLS	79-82
HYDROSTATIC MOTOR	83-84
HYDROSTATIC PUMP	85-96
GEAR PUMP	97-98
PORT BLOCK	99-100
COOLING FAN MOTOR	101-102
HYDROSTATIC OIL FILTER	103-106
ELECTRICAL SYSTEM	107-120
CAB ELECTRICAL CIRCUITRY	107-110
ENGINE ELECTRICAL	111-114
ALTERNATOR	115-116
STARTER	117-120
POWER UNIT	121-166
ENGINE & ATTACHING PARTS	121-128
THROTTLE	129-130
ENGINE & GASKET KIT	131-132
MANIFOLDS	133-134
TIMING GEARS	135-136
ROCKER ARM COVER	137-138
ROCKER SHAFT	139-140
CYLINDER HEAD	141-142
CYLINDER BLOCK	143-144
CRANKSHAFT & ASSOCIATED PARTS	145-146
CONNECTING ROD & PISTON	147-148
BALANCER	149-150
WATER PUMP	151-152
WATER OULET BODY	153-154
LUBRICATION SYSTEM	155-156
FUEL PUMP	157-158
FUEL FILTER	159-162
FUEL INJECTOR SYSTEM	163-164
AIR CLEANER	165-166

953 CONTENTS (Cont'd)

ACCESSORIES & OPTIONS	169-
AUXILIARY HYDRAULIC CIRCUITRY	169-170
ACCESS COVER	171-172
BACK-UP ALARM KIT	173-174
BATTERY KIT	175-176
BLOCK HEATER	177-178
BOB-TACH CONVERSION KIT	179-180
CAB DOOR	181-188
CAB WINDOWS	189-190
CAB ENCLOSURE	191-194
DECALS	195-198
ETHER KIT	199-200
EUROPEAN ACCESORIES	201-208
FIRE EXTINGUISHER	209-210
FLASHER LIGHTS	211-212
HEATER KIT	213-214
HEATER	215-216
HEATER KIT (FRESH AIR)	217-220
HEATER (FRESH AIR)	221-222
HEATER PLUMBING KIT (FRESH AIR)	223-224
HORN KIT	225-226
HOURMETER KIT	227-228
INSECT SCREEN KIT	229-230
KEYLESS IGNITION	231-232
LIFT EYE KIT	233-234
PURIFIER/EXHAUST KIT	235-236
*PUSH TO OPERATE KIT	237-238
REAR AUXILIARY HYDRAULIC KIT	239-240
RENTAL KIT	241-242
3" SEAT BELT	243-244
SEAT KIT	245-246
SEAT RAIL COVER KIT	247-248
* SEAT SENSOR OVERRIDE	249-250
STROBE LIGHT	251-252
STROBE LIGHT KIT	253-254
SUSPENSION SEAT	255-258
TIRES & RIMS	259-264
WATER LEVEL SENSOR KIT	265-266
BULK ITEMS	267-268
NUMERICAL INDEX	269-312
NUMERICAL INDEX	269-312

MAIN FRAME & ATTACHING PARTS



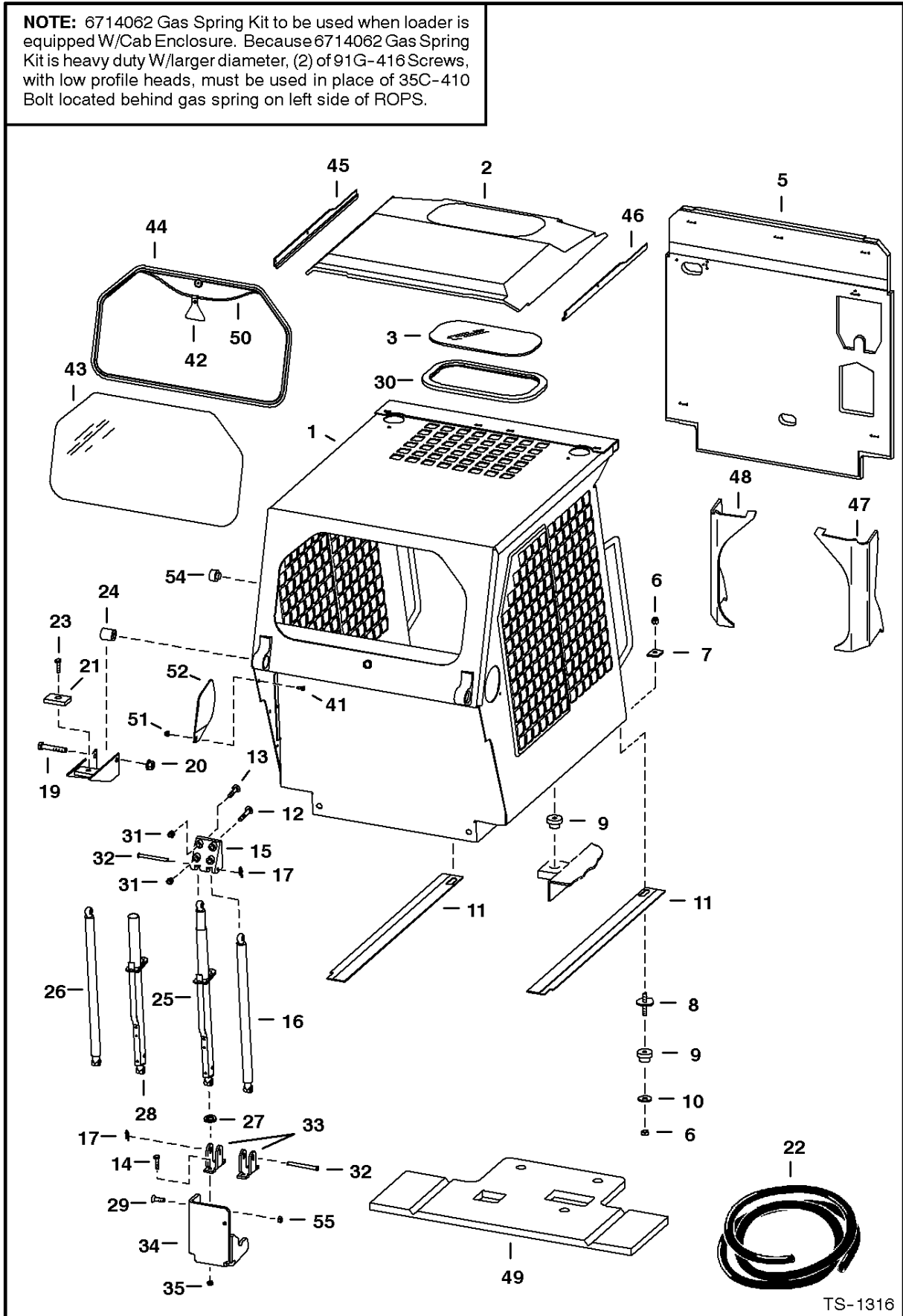
E-1645

MAIN FRAME & ATTACHING PARTS

Ref.N°	Part N°	Description	Remarks	Serial N°	Qty.
1	6589728	MOUNT			1
2	6571670	INSULATION			1
3	6568790	INSULATION			1
4	84G-3712	BOLT			2
5	6630207	RIVET			2
6	6569520	BRACKET			1
7	6565013	BOOT			1
8	6568318	CLAMP			1
9	6658691	RIVET			8
10	6532127	BOOT	W/Ref. MAIN FRAME & ATTACHING PARTS(45)		2
11	58G-1008	SCREW			6
12	6568057	FLANGE			2
13	6568792	INSULATION			1
14	42H-64	CLAMP			2
15	6571671	INSULATION			1
16	9G-616	BOLT			5
17	61D-6	NUT			4
18	61D-5	NUT			4
19	6567459	BOOM STOP			2
20	NAP	HOSE	Order Ref. MAIN FRAME & ATTACHING PARTS(47)		2
21	6702971	BOLT			2
22	6560633	MOUNT	rubber		2
23	6515817	WASHER			2
24	85D-8	NUT			2
25	31C-1228	BOLT			12
26	83D-12	NUT			22
27	31C-1232	BOLT			10
28	6511855	FOAM STRIP	bulk - Sold Per Foot		x
29	6565862	BUSHING	weld on		6
30	6567442	BUSHING	weld on		2
31	6575922	BUSHING	weld on		2
32	6587528	PLATE			1
33	6589880	MAIN FRAME			1
34	6568766	BRACKET			1
35	6630797	GAS SPRING			1
36	NAP	SHIELD	Was 6569328 [A]		1
37	6568794	INSULATION			1
38	6568791	INSULATION			1
39	6569263	PLUG			2
40	6632469	ADHESIVE	insulation - Spray Can		x
41	6567348	ANGLE			2
42	6576284	COVER			1
43	6577461	COVER			2
44	57D-6	NUT			3
45	NSS	PLATE	Order Ref. MAIN FRAME & ATTACHING PARTS(10)		2
46	35C-616	BOLT			6
47	6674744	HOSE	bulk - Sold Per Foot		x

OPERATOR CAB

NOTE: 6714062 Gas Spring Kit to be used when loader is equipped W/Cab Enclosure. Because 6714062 Gas Spring Kit is heavy duty W/larger diameter, (2) of 91G-416 Screws, with low profile heads, must be used in place of 35C-410 Bolt located behind gas spring on left side of ROPS.



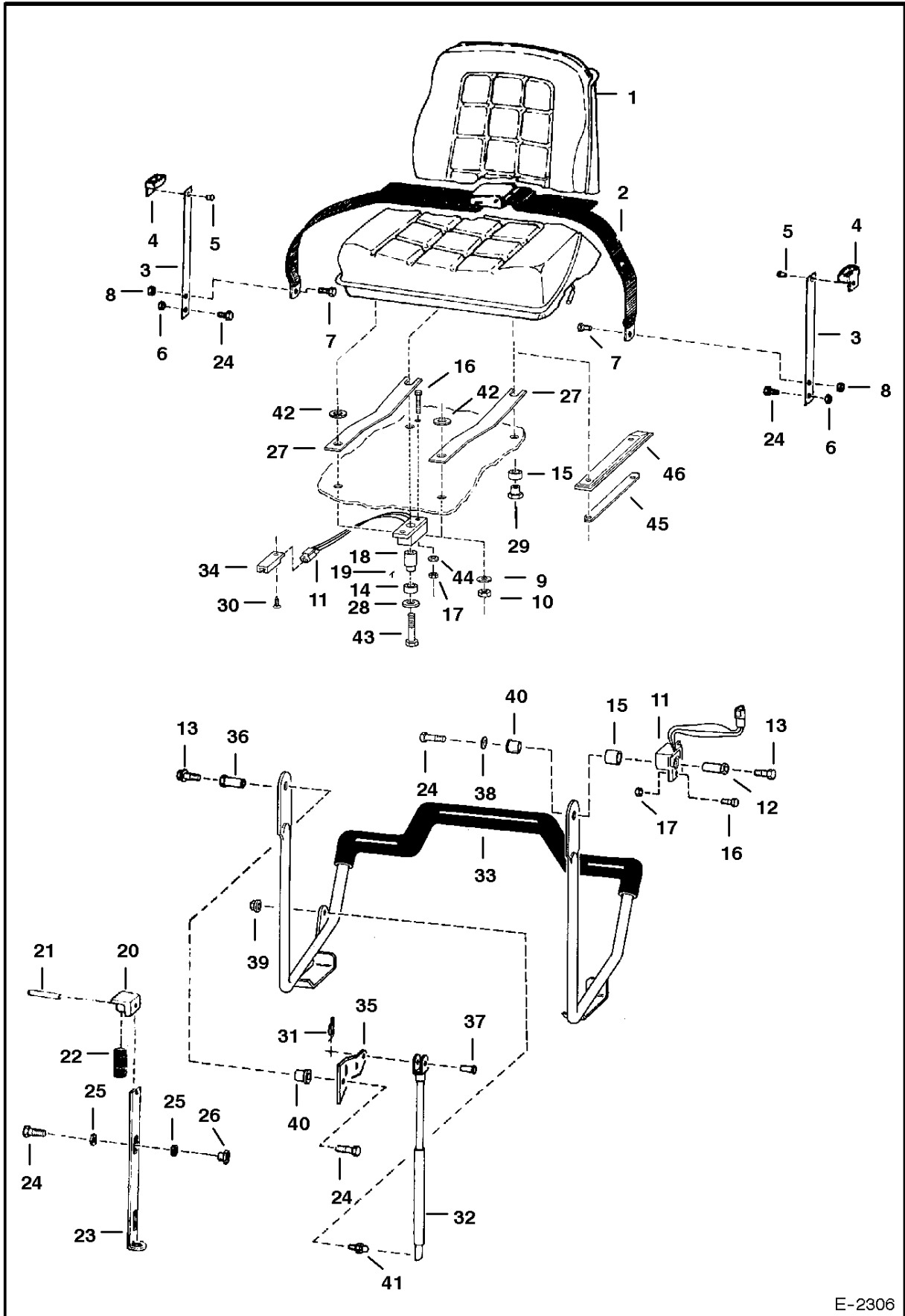
OPERATOR CAB

Ref.N°	Part N°	Description	Remarks	Serial N°	Qty.
1	6706908	CAB	W/O Decals - Also Order 1 of each decal: 6531653, 6557565, 6565990, 6708294, 6577754, 6579510, 6593388, 6707255 - Was 659600		1
2	6706155	INSULATION	Was 6706553 [B]		1
3	6705735	WINDOW			1
4	35C-410	BOLT			6
5	6708682	INSULATION	Was 6567571 [B]		1
6	85D-8	NUT			4
7	6553709	WASHER			2
8	6702971	BOLT			2
9	6560633	MOUNT	rubber		4
10	6515817	WASHER			2
11	6569948	SEAL	L.H.		1
11	6569949	SEAL	R.H.		1
12	10C-636	BOLT	Was 37C-636 [B]		2
13	10C-624	BOLT	Was 37C-624 [B]		2
14	17C-520	BOLT			2
15	6589814	BRACKET			1
16	6700171	GAS SPRING			1
16	6714062	KIT	heavy duty gas spring - for use w/ cab enclosure kit - Was 6670730 [D]		1
16	91G-416	BOLT			2
16	6900531	INSTRUCTIONS	For Kit 6714062		1
17	6631418	PIN			2
18	85D-5	NUT			1
19	17C-1056	BOLT			2
20	83D-10	NUT			2
21	6568475	STOP			2
22	6665568	SEAL	Bulk - Sold Per Foot - Was 6658352 [B]		x
23	84G-2516	BOLT			2
24	6562602	BUSHING	rubber		2
25	NAP	GAS SPRING	Order Ref. OPERATOR CAB(26) - OPERATOR CAB(28)		1
26	6664205	GAS SPRING			1
27	6701174	WASHER			1
28	6708189	TUBE	Stop		1
29	9G-620	BOLT			2
30	6664351	SEAL	Was 6589315 [A]		2
31	95D-6	NUT	Was 91D-6 [A]		4
32	6586772	PIN			2
33	6706349	MOUNT			2
34	6586766	BRACKET			1
35	87D-5	NUT			4
36	6664310	CLIP			7
37	83D-4	NUT			6
38	25E-15	WASHER			2
39	763906	BEARING			2
40	25E-20	WASHER			2
41	17C-512	BOLT			1
42	6559515	EXIT TAG			1
43	6701651	WINDOW			1
44	NAP	MOULDING	83.25' (2114,55mm) long Order Ref. OPERATOR CAB(22)		1
45	6703160	TRACK	L.H.		1
46	6703159	TRACK	R.H.		1
47	6715098	INSULATION	back - R.H. - Was 6706156 [A]		1

OPERATOR CAB

Ref.N°	Part N°	Description	Remarks	Serial N°	Qty.
48	6715097	INSULATION	back - L.H. - Was 6706157 [A]		1
49	6715095	INSULATION	seat pan - Was 6706982 [A]		1
50	6554223	SAFETY CORD			1
51	83D-5	NUT			1
52	6707879	COVER			1
53	6664310	CLIP			1
54	6664374	PLUG			5
55	61D-6	NUT			2
56	6571991	WASHER			2

SEAT & SEAT BAR

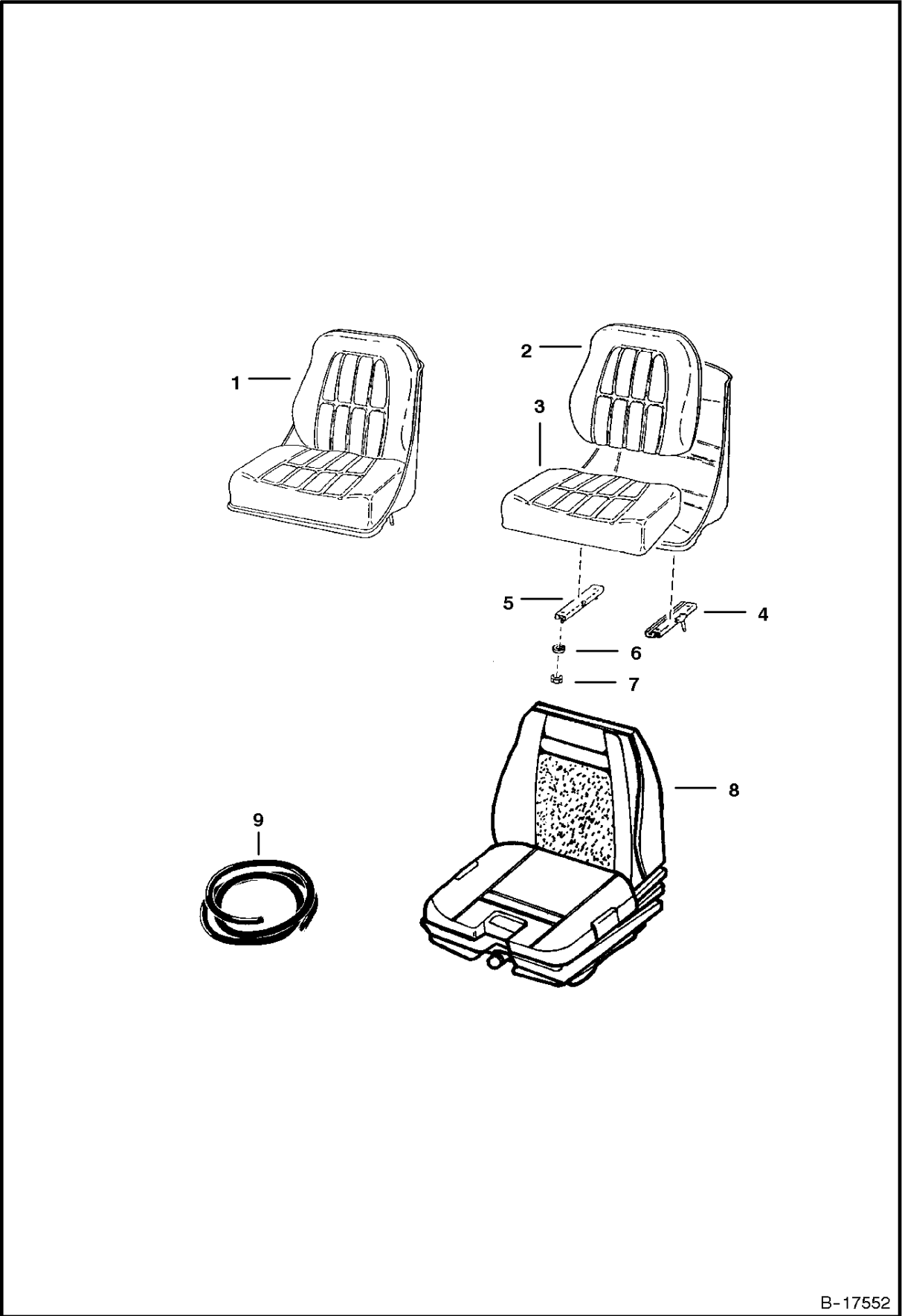


E-2306

SEAT & SEAT BAR

Ref.N°	Part N°	Description	Remarks	Serial N°	Qty.
1		SEAT	See Page SEAT(1)		1
2	NAP	SEAT BELT	Order 6725403 seat belt - Was 6667875 [A]		1
2	6725403	SEAT BELT	w/guides		1
3	NAP	GUIDE ASSY	W/Ref. SEAT & SEAT BAR(4) & SEAT & SEAT BAR(5) - Order 6711908 spring plate, Ref. SEAT & SEAT BAR(4) & (2) of Ref. SEAT & SEAT		2
3	6711908	SPRING PLATE			2
4	6565355	GUIDE			2
5	6630207	RIVET			4
6	85D-6	NUT			2
7	17C-716	BOLT			2
8	85D-7	NUT			2
9	6701174	WASHER			2
10	61D-5	NUT			2
11	6670652	SENSOR	also Order Ref. SEAT & SEAT BAR(19) - Was 6667690 [A]		2
12	6706685	BUSHING			1
13	35C-608	BOLT			2
14	6666608	BUSHING	R.H. - Was 6666607 [A]		1
15	6671135	BUSHING	L.H. - Was 6665521 [A]		1
16	35C-410	BOLT	fastens thru tab - 5/8' long		2
16	17C-428	BOLT	fastens thru body - 1.75' long - Was 6710539 [A]		1
17	83D-4	NUT	fastens thru tab - 5/8' long		2
17	50D-12	NUT	fastens thru body - 1.75' long		1
18	6710751	BUSHING	spacer - Was 6706686 [A]		1
19	6664881	KEY	magnet bushing		1
20	6563148	BLOCK			2
21	14J-2512	PIN			2
22	6702430	SPRING			2
23	6567130	LOCK			2
24	17C-612	BOLT			6
25	6700170	WASHER	plastic		8
26	6559479	NUT			4
27	6706966	SPRING	plate - SEE NOTE		1
27	6706966	SPRING	plate - SEE NOTE - for use W/Milsco suspension seat		2
28	25E-16	WASHER			1
29	6707319	NUT	spacer		1
30	6664221	RETAINER			1
31	6631418	PIN	ring		1
32	6664207	GAS SPRING			1
33	6589572	SEAT BAR	for use W/Gas Spring		1
34	6665000	CLIP			1
35	6706388	BRACKET			1
36	6706962	BUSHING			1
37	4F-5062	PIN			1
38	25E-17	WASHER			1
39	85D-5	NUT			1
40	6664882	BUSHING	keyed		2
41	6649244	BALL STUD			1
42	6706890	WASHER			2
43	17C-508	BOLT			1
44	25E-10	WASHER			1
45	6711730	STRIP		S/N & Above	2
46	6711729	COVER		S/N & Above	2

SEAT



B-17552

Thank you so much for reading.
Please click the “Buy Now!”
button below to download the
complete manual.



After you pay.

You can download the most
perfect and complete manual in
the world immediately.

Our support email:

ebooklibonline@outlook.com