



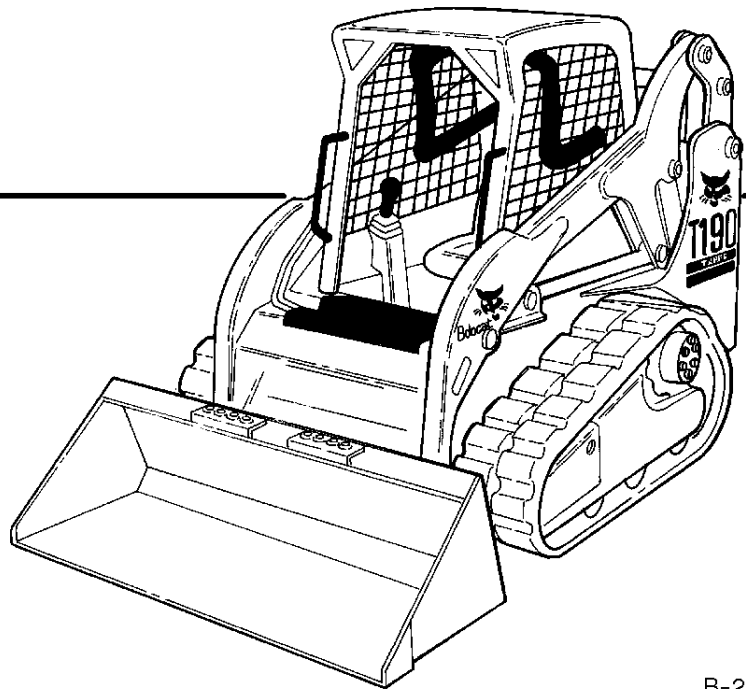
Bobcat®

Parts Manual

S/N 5193 11001 & Above

S/N 5194 11001 & Above

S/N 5270 11001 & Above



B-22862

**EQUIPPED WITH
BOBCAT INTERLOCK
CONTROL SYSTEM (BICS™)**

6901352 (6-03) Revised (12-03)

IR Bobcat®
Printed in U.S.A.

© Bobcat Company 2003

T190 CONTENTS

| | |
|-------------------------------------------------------------------------------|----------------|
| MAIN FRAME | 11-48 |
| MAINTENANCE ITEMS | 11-12 |
| MAINTENANCE SCHEDULE ITEMS | 13-20 |
| MAIN FRAME | 21-24 |
| OPERATOR CAB | 25-28 |
| SEAT & SEAT BAR | 29-30 |
| SEAT | 31-32 |
| PANELS | 33-34 |
| REAR DOOR | 35-38 |
| LIFT ARMS & BOBTACH | 39-42 |
| BOB-TACH | 43-44 |
| FUEL SYSTEM | 45-48 |
| DRIVE TRAIN | 49-64 |
| DRIVE TRAIN | 49-50 |
| TRACK TENSIONER | 51-52 |
| FRONT IDLER (S/N 5193 13368 & BEL, 5194 12089 & BEL) | 53-54 |
| REAR IDLER (S/N 5193 13368 & BEL, 5194 12089 & BEL) | 55-56 |
| TRACK ROLLER (S/N 5193 13368 & BEL, 5194 12089 & BEL) | 57-58 |
| FRONT IDLER (S/N 5193 13369 & ABV, 5194 12090 & ABV, 5270 11001 & ABV) | 59-60 |
| REAR IDLER (S/N 5193 13369 & ABV, 5194 12090 & ABV, 5270 11001 & ABV) | 61-62 |
| TRACK ROLLER (S/N 5193 13369 & ABV, 5194 12090 & ABV, 5270 11001 & ABV) | 63-64 |
| HYDRAULIC SYSTEM | 65-142 |
| HYDRAULIC CIRCUITRY | 65-80 |
| MANUAL LIFT RELEASE SYSTEM | 81-82 |
| AUXILIARY HYDRAULICS | 83-88 |
| TILT CYLINDER | 89-90 |
| LIFT CYLINDER | 91-92 |
| CONTROL PEDALS | 93-94 |
| HYDRAULIC CONTROL VALVE | 95-136 |
| BICS CONTROL VALVE | 137-138 |
| MANUAL LIFT RELEASE VALVE | 139-140 |
| PRESSURE RELEASE VALVE | 141-142 |
| HIGH FLOW HYDRAULICS | 143-154 |
| HIGH FLOW HYDRAULICS | 143-154 |
| HYDROSTATIC SYSTEM | 155-210 |
| HYDROSTATIC CIRCUITRY | 155-172 |
| HAND CONTROLS | 173-180 |
| HYDROSTATIC MOTOR | 181-196 |
| HYDROSTATIC PUMP | 197-204 |
| GEAR PUMP | 205-206 |
| HYDROSTATIC OIL FILTER | 207-210 |
| ELECTRICAL SYSTEM | 211-238 |
| CAB ELECTRICAL CIRCUITRY | 211-212 |
| ENGINE ELECTRICAL CIRCUITRY | 213-216 |
| * ENGINE ELECTRICAL CIRCUITRY | 217-220 |
| CONTROLS ELECTRICAL | 221-232 |
| ALTERNATOR | 233-234 |
| STARTER | 235-238 |
| POWER UNIT | 239-364 |
| COOLING SYSTEM | 239-244 |
| ENGINE & ATTACHING PARTS | 245-258 |
| THROTTLE | 259-260 |
| * THROTTLE | 261-262 |
| COOLING FAN DRIVE ASSY. | 263-264 |

T190 CONTENTS (Cont'd)

| | |
|----------------------------------------------------------------|----------------|
| POWER UNIT (Cont'd) | 239-364 |
| ENGINE & GASKET KITS (KUBOTA V2003T) | 265-266 |
| GEARCASE (KUBOTA V2003T) | 267-268 |
| OIL COOLER (KUBOTA V2003T) | 269-274 |
| CRANKCASE (KUBOTA V2003T) | 275-276 |
| ROCKER ARM COVER (KUBOTA V2003T) | 277-278 |
| VALVE ROCKER ARM (KUBOTA V2003T) | 279-280 |
| CYLINDER HEAD (KUBOTA V2003T) | 281-282 |
| OIL PAN (KUBOTA V2003T) | 283-284 |
| PISTON & CRANKSHAFT (KUBOTA V2003T) | 285-286 |
| FUEL CAMSHAFT (KUBOTA V2003T) | 287-288 |
| CAMSHAFT (KUBOTA V2003T) | 289-290 |
| WATER PUMP (KUBOTA V2003T) | 291-292 |
| WATER FLANGE & THERMOSTAT (KUBOTA V2003T) | 293-294 |
| MANIFOLDS (KUBOTA V2003T) | 295-296 |
| TURBO CHARGER (KUBOTA V2003T) | 297-298 |
| OIL PIPE (KUBOTA V2003T) | 299-300 |
| ENGINE STOP LEVER (KUBOTA V2003T) | 301-302 |
| GOVERNOR (KUBOTA V2003T) | 303-304 |
| SPEED CONTROL PLATE (KUBOTA V2003T) | 305-306 |
| INJECTION PUMP (KUBOTA V2003T) | 307-308 |
| SPEED CONTROL PLATE (KUBOTA V2003T) | 309-310 |
| INJECTOR NOZZLES (KUBOTA V2003T) | 311-312 |
| INJECTOR HOLDER (KUBOTA V2003T) | 313-314 |
| * ENGINE & GASKET KITS (KUBOTA V2003TMDI - TIER II) | 315-316 |
| * GEARCASE (KUBOTA V2003TMDI - TIER II) | 317-318 |
| * OIL COOLER (KUBOTA V2003TMDI - TIER II) | 319-320 |
| * CRANKCASE (KUBOTA V2003TMDI - TIER II) | 321-322 |
| * ROCKER ARM COVER (KUBOTA V2003TMDI - TIER II) | 323-324 |
| * VALVE ROCKER ARM (KUBOTA V2003TMDI - TIER II) | 325-326 |
| * CYLINDER HEAD (KUBOTA V2003TMDI - TIER II) | 327-328 |
| * OIL PAN (KUBOTA V2003TMDI - TIER II) | 329-330 |
| * PISTON & CRANKSHAFT (KUBOTA V2003TMDI - TIER II) | 331-332 |
| * FUEL CAMSHAFT (KUBOTA V2003TMDI - TIER II) | 333-334 |
| * CAMSHAFT (KUBOTA V2003TMDI - TIER II) | 335-336 |
| * WATER PUMP (KUBOTA V2003TMDI - TIER II) | 337-338 |
| * WATER FLANGE & THERMOSTAT (KUBOTA V2003TMDI - TIER II) | 339-340 |
| * MANIFOLDS (KUBOTA V2003TMDI - TIER II) | 341-342 |
| * TURBO CHARGER (KUBOTA V2003TMDI - TIER II) | 343-344 |
| * OIL PIPE (KUBOTA V2003TMDI - TIER II) | 345-346 |
| * ENGINE STOP LEVER (KUBOTA V2003TMDI - TIER II) | 347-348 |
| * GOVERNOR (KUBOTA V2003TMDI - TIER II) | 349-350 |
| * SPEED CONTROL PLATE (KUBOTA V2003TMDI - TIER II) | 351-352 |
| * BOOST COMPENSATOR (KUBOTA V2003TMDI - TIER II) | 353-354 |
| * INJECTION PUMP (KUBOTA V2003TMDI - TIER II) | 355-358 |
| * INJECTOR NOZZLES (KUBOTA V2003TMDI - TIER II) | 359-360 |
| * INJECTOR HOLDER (KUBOTA V2003TMDI - TIER II) | 361-362 |
| AIR CLEANER | 363-364 |
| ACCESSORIES & OPTIONS | 368-537 |
| ACS CONVERSION KIT | 368-369 |
| ACCESSORIES HARNESS | 370-371 |
| BACK-UP ALARM | 372-373 |
| BEACON | 374-375 |
| BLOCK HEATER | 376-377 |
| BOB-TACH LEVERS | 378-379 |

T190 CONTENTS (Cont'd)

| | |
|-------------------------------------------------|----------------|
| ACCESSORIES & OPTIONS (Cont'd) | 368-537 |
| BUCKET POSITIONING VALVE KIT | 380-383 |
| BUCKET POSITIONING VALVE | 384-385 |
| CAB DOOR | 386-403 |
| CAB ENCLOSURE | 404-407 |
| CAB WINDOWS | 408-411 |
| DECALS | 412-415 |
| DELUXE CAB | 416-417 |
| DUAL BATTERY KIT | 418-421 |
| * DUAL DAMPENER KIT | 422-423 |
| ELECTRICAL CONNECTOR KIT | 424-425 |
| ELECTRICAL CONTROLS KIT | 426-435 |
| ENGINE MOUNT KIT | 436-437 |
| EUROPEAN ACCESSORIES | 438-443 |
| FIRE EXTINGUISHER | 444-445 |
| F.O.P.S. KIT | 446-447 |
| FLASHER LIGHTS | 448-449 |
| FRONT AUXILIARY | 450-451 |
| GAS SPRING KIT | 452-453 |
| HEATER & A/C | 454-479 |
| HORN KIT | 480-481 |
| LIFT LIT | 482-485 |
| LIGHT KIT | 486-487 |
| MUFFLER/PURIFIER KIT | 488-489 |
| POWER BOB-TACH KIT | 490-493 |
| POWER BOB-TACH | 494-501 |
| REAR AUXILIARY | 502-513 |
| REAR AUXILIARY VALVE | 514-517 |
| REAR DOOR LOCK | 518-519 |
| REAR WIPER | 520-521 |
| SEAL ENCLOSURE KIT | 522-523 |
| SEAT | 524-527 |
| SEAT BELT | 528-531 |
| SOUND REDUCTION HARDHAT | 532-533 |
| STROBE LIGHT | 534-535 |
| BULK ITEMS | 536-537 |
| NUMERICAL INDEX | 538-598 |
| NUMERICAL INDEX | 538-598 |

T190 CONTENTS

| | |
|-------------------------------------------------------------------------------|----------------|
| MAIN FRAME | 11-48 |
| MAINTENANCE ITEMS | 11-12 |
| MAINTENANCE SCHEDULE ITEMS | 13-20 |
| MAIN FRAME | 21-24 |
| OPERATOR CAB | 25-28 |
| SEAT & SEAT BAR | 29-30 |
| SEAT | 31-32 |
| PANELS | 33-34 |
| REAR DOOR | 35-38 |
| LIFT ARMS & BOBTACH | 39-42 |
| BOB-TACH | 43-44 |
| FUEL SYSTEM | 45-48 |
| DRIVE TRAIN | 49-64 |
| DRIVE TRAIN | 49-50 |
| TRACK TENSIONER | 51-52 |
| FRONT IDLER (S/N 5193 13368 & Bel, 5194 12089 & Bel) | 53-54 |
| REAR IDLER (S/N 5193 13368 & Bel, 5194 12089 & Bel) | 55-56 |
| TRACK ROLLER (S/N 5193 13368 & Bel, 5194 12089 & Bel) | 57-58 |
| FRONT IDLER (S/N 5193 13369 & Abv, 5194 12090 & Abv, 5270 11001 & Abv) | 59-60 |
| REAR IDLER (S/N 5193 13369 & Abv, 5194 12090 & Abv, 5270 11001 & Abv) | 61-62 |
| TRACK ROLLER (S/N 5193 13369 & Abv, 5194 12090 & Abv, 5270 11001 & Abv) | 63-64 |
| HYDRAULIC SYSTEM | 65-142 |
| HYDRAULIC CIRCUITRY | 65-80 |
| MANUAL LIFT RELEASE SYSTEM | 81-82 |
| AUXILIARY HYDRAULICS | 83-88 |
| TILT CYLINDER | 89-90 |
| LIFT CYLINDER | 91-92 |
| CONTROL PEDALS | 93-94 |
| HYDRAULIC CONTROL VALVE | 95-136 |
| BICS CONTROL VALVE | 137-138 |
| MANUAL LIFT RELEASE VALVE | 139-140 |
| PRESSURE RELEASE VALVE | 141-142 |
| HIGH FLOW HYDRAULICS | 143-154 |
| HIGH FLOW HYDRAULICS | 143-154 |
| HYDROSTATIC SYSTEM | 155-210 |
| HYDROSTATIC CIRCUITRY | 155-172 |
| HAND CONTROLS | 173-180 |
| HYDROSTATIC MOTOR | 181-196 |
| HYDROSTATIC PUMP | 197-204 |
| GEAR PUMP | 205-206 |
| HYDROSTATIC OIL FILTER | 207-210 |
| ELECTRICAL SYSTEM | 211-238 |
| CAB ELECTRICAL CIRCUITRY | 211-212 |
| ENGINE ELECTRICAL CIRCUITRY | 213-216 |
| * ENGINE ELECTRICAL CIRCUITRY | 217-220 |
| CONTROLS ELECTRICAL | 221-232 |
| ALTERNATOR | 233-234 |
| STARTER | 235-238 |
| POWER UNIT | 239-364 |
| COOLING SYSTEM | 239-244 |
| ENGINE & ATTACHING PARTS | 245-258 |
| THROTTLE | 259-260 |
| * THROTTLE | 261-262 |
| COOLING FAN DRIVE ASSY. | 263-264 |

T190 CONTENTS (Cont'd)

| | |
|----------------------------------------------------------------|----------------|
| POWER UNIT (Cont'd) | 239-364 |
| ENGINE & GASKET KITS (KUBOTA V2003T) | 265-266 |
| GEARCASE (KUBOTA V2003T) | 267-268 |
| OIL COOLER (KUBOTA V2003T) | 269-274 |
| CRANKCASE (KUBOTA V2003T) | 275-276 |
| ROCKER ARM COVER (KUBOTA V2003T) | 277-278 |
| VALVE ROCKER ARM (KUBOTA V2003T) | 279-280 |
| CYLINDER HEAD (KUBOTA V2003T) | 281-282 |
| OIL PAN (KUBOTA V2003T) | 283-284 |
| PISTON & CRANKSHAFT (KUBOTA V2003T) | 285-286 |
| FUEL CAMSHAFT (KUBOTA V2003T) | 287-288 |
| CAMSHAFT (KUBOTA V2003T) | 289-290 |
| WATER PUMP (KUBOTA V2003T) | 291-292 |
| WATER FLANGE & THERMOSTAT (KUBOTA V2003T) | 293-294 |
| MANIFOLDS (KUBOTA V2003T) | 295-296 |
| TURBO CHARGER (KUBOTA V2003T) | 297-298 |
| OIL PIPE (KUBOTA V2003T) | 299-300 |
| ENGINE STOP LEVER (KUBOTA V2003T) | 301-302 |
| GOVERNOR (KUBOTA V2003T) | 303-304 |
| SPEED CONTROL PLATE (KUBOTA V2003T) | 305-306 |
| INJECTION PUMP (KUBOTA V2003T) | 307-308 |
| SPEED CONTROL PLATE (KUBOTA V2003T) | 309-310 |
| INJECTOR NOZZLES (KUBOTA V2003T) | 311-312 |
| INJECTOR HOLDER (KUBOTA V2003T) | 313-314 |
| * ENGINE & GASKET KITS (KUBOTA V2003TMDI - TIER II) | 315-316 |
| * GEARCASE (KUBOTA V2003TMDI - TIER II) | 317-318 |
| * OIL COOLER (KUBOTA V2003TMDI - TIER II) | 319-320 |
| * CRANKCASE (KUBOTA V2003TMDI - TIER II) | 321-322 |
| * ROCKER ARM COVER (KUBOTA V2003TMDI - TIER II) | 323-324 |
| * VALVE ROCKER ARM (KUBOTA V2003TMDI - TIER II) | 325-326 |
| * CYLINDER HEAD (KUBOTA V2003TMDI - TIER II) | 327-328 |
| * OIL PAN (KUBOTA V2003TMDI - TIER II) | 329-330 |
| * PISTON & CRANKSHAFT (KUBOTA V2003TMDI - TIER II) | 331-332 |
| * FUEL CAMSHAFT (KUBOTA V2003TMDI - TIER II) | 333-334 |
| * CAMSHAFT (KUBOTA V2003TMDI - TIER II) | 335-336 |
| * WATER PUMP (KUBOTA V2003TMDI - TIER II) | 337-338 |
| * WATER FLANGE & THERMOSTAT (KUBOTA V2003TMDI - TIER II) | 339-340 |
| * MANIFOLDS (KUBOTA V2003TMDI - TIER II) | 341-342 |
| * TURBO CHARGER (KUBOTA V2003TMDI - TIER II) | 343-344 |
| * OIL PIPE (KUBOTA V2003TMDI - TIER II) | 345-346 |
| * ENGINE STOP LEVER (KUBOTA V2003TMDI - TIER II) | 347-348 |
| * GOVERNOR (KUBOTA V2003TMDI - TIER II) | 349-350 |
| * SPEED CONTROL PLATE (KUBOTA V2003TMDI - TIER II) | 351-352 |
| * BOOST COMPENSATOR (KUBOTA V2003TMDI - TIER II) | 353-354 |
| * INJECTION PUMP (KUBOTA V2003TMDI - TIER II) | 355-358 |
| * INJECTOR NOZZLES (KUBOTA V2003TMDI - TIER II) | 359-360 |
| * INJECTOR HOLDER (KUBOTA V2003TMDI - TIER II) | 361-362 |
| AIR CLEANER | 363-364 |
| ACCESSORIES & OPTIONS | 368-537 |
| ACS CONVERSION KIT | 368-369 |
| ACCESSORIES HARNESS | 370-371 |
| BACK-UP ALARM | 372-373 |
| BEACON | 374-375 |
| BLOCK HEATER | 376-377 |
| BOB-TACH LEVERS | 378-379 |

T190 CONTENTS (Cont'd)

| | |
|-------------------------------------------------|----------------|
| ACCESSORIES & OPTIONS (Cont'd) | 368-537 |
| BUCKET POSITIONING VALVE KIT | 380-383 |
| BUCKET POSITIONING VALVE | 384-385 |
| CAB DOOR | 386-403 |
| CAB ENCLOSURE | 404-407 |
| CAB WINDOWS | 408-411 |
| DECALS | 412-415 |
| DELUXE CAB | 416-417 |
| DUAL BATTERY KIT | 418-421 |
| * DUAL DAMPENER KIT | 422-423 |
| ELECTRICAL CONNECTOR KIT | 424-425 |
| ELECTRICAL CONTROLS KIT | 426-435 |
| ENGINE MOUNT KIT | 436-437 |
| EUROPEAN ACCESSORIES | 438-443 |
| FIRE EXTINGUISHER | 444-445 |
| F.O.P.S. KIT | 446-447 |
| FLASHER LIGHTS | 448-449 |
| FRONT AUXILIARY | 450-451 |
| GAS SPRING KIT | 452-453 |
| HEATER & A/C | 454-479 |
| HORN KIT | 480-481 |
| LIFT LIT | 482-485 |
| LIGHT KIT | 486-487 |
| MUFFLER/PURIFIER KIT | 488-489 |
| POWER BOB-TACH KIT | 490-493 |
| POWER BOB-TACH | 494-501 |
| REAR AUXILIARY | 502-513 |
| REAR AUXILIARY VALVE | 514-517 |
| REAR DOOR LOCK | 518-519 |
| REAR WIPER | 520-521 |
| SEAL ENCLOSURE KIT | 522-523 |
| SEAT | 524-527 |
| SEAT BELT | 528-531 |
| SOUND REDUCTION HARDHAT | 532-533 |
| STROBE LIGHT | 534-535 |
| BULK ITEMS | 536-537 |
| NUMERICAL INDEX | 538-598 |
| NUMERICAL INDEX | 538-598 |

Buy Now



Our support email:

ebooklibonline@outlook.com