

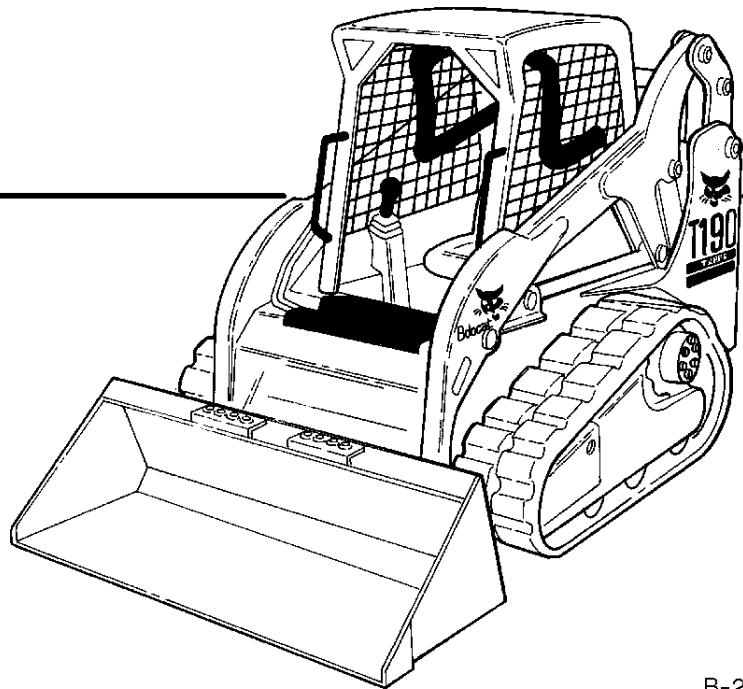


Bobcat®

Parts Manual

S/N 5277 11001 & Above

S/N 5278 11001 & Above



B-22862

EQUIPPED WITH
BOBCAT INTERLOCK
CONTROL SYSTEM (BICS™)

6902913 (2-04)

IR Bobcat®
Printed in U.S.A.

© Bobcat Company 2004

T190 CONTENTS

MAIN FRAME	11-42
MAINTENANCE ITEMS	11-12
MAINTENANCE SCHEDULE ITEMS	13-20
MAIN FRAME	21-22
OPERATOR CAB	23-26
SEAT & SEAT BAR	27-28
SEAT	29-30
PANELS	31-32
REAR DOOR	33-34
LIFT ARMS & BOBTACH	35-36
BOB-TACH	37-38
FUEL SYSTEM	39-42
DRIVE TRAIN	43-52
DRIVE TRAIN	43-44
TRACK TENSIONER	45-46
FRONT IDLER	47-48
REAR IDLER	49-50
TRACK ROLLER	51-52
HYDRAULIC SYSTEM	53-82
HYDRAULIC CIRCUITRY	53-60
MANUAL LIFT RELEASE SYSTEM	61-62
AUXILIARY HYDRAULICS	63-64
TILT CYLINDER	65-66
LIFT CYLINDER	67-68
CONTROL PEDALS	69-70
HYDRAULIC CONTROL VALVE	71-78
BICS CONTROL VALVE	79-80
MANUAL LIFT RELEASE VALVE	81-82
HIGH FLOW HYDRAULICS	83-88
HIGH FLOW HYDRAULICS	83-88
HYDROSTATIC SYSTEM	89-122
HYDROSTATIC CIRCUITRY	89-96
HAND CONTROLS	97-100
HYDROSTATIC MOTOR	101-108
HYDROSTATIC PUMP	109-116
GEAR PUMP	117-118
HYDROSTATIC OIL FILTER	119-122
ELECTRICAL SYSTEM	123-142
CAB ELECTRICAL CIRCUITRY	123-124
ENGINE ELECTRICAL CIRCUITRY	125-128
CONTROLS ELECTRICAL	129-138
ALTERNATOR	139-140
STARTER	141-142
POWER UNIT	143-208
COOLING SYSTEM	143-146
ENGINE & ATTACHING PARTS	147-154
THROTTLE	155-156
COOLING FAN DRIVE ASSY.	157-158
ENGINE & GASKET KITS	159-160
GEARCASE	161-162
OIL COOLER	163-164
CRANKCASE	165-166
ROCKER ARM COVER	167-168
VALVE ROCKER ARM	169-170

T190 CONTENTS (Cont'd)

POWER UNIT (Cont'd)	143-208
CYLINDER HEAD	171-172
OIL PAN	173-174
PISTON & CRANKSHAFT	175-176
FUEL CAMSHAFT	177-178
CAMSHAFT	179-180
WATER PUMP	181-182
WATER FLANGE & THERMOSTAT	183-184
MANIFOLDS	185-186
TURBO CHARGER	187-188
OIL PIPE	189-190
ENGINE STOP LEVER	191-192
GOVERNOR	193-194
SPEED CONTROL PLATE	195-196
BOOST COMPENSATOR	197-198
INJECTION PUMP	199-202
INJECTOR NOZZLES	203-204
INJECTOR HOLDER	205-206
AIR CLEANER	207-208
ACCESSORIES & OPTIONS	212-353
ACS CONVERSION KIT	212-213
ACCESSORIES HARNESS	214-215
BACK-UP ALARM	216-217
BEACON	218-219
BLOCK HEATER	220-221
BOB-TACH LEVERS	222-223
BUCKET POSITIONING VALVE KIT	224-227
CAB DOOR	228-237
CAB ENCLOSURE	238-241
CAB WINDOWS	242-245
DECALS	246-249
DELUXE CAB	250-251
DUAL BATTERY KIT	252-253
DUAL DAMPENER KIT	254-255
ELECTRICAL CONNECTOR KIT	256-257
ELECTRICAL CONTROLS KIT	258-263
ENGINE MOUNT KIT	264-265
EUROPEAN ACCESSORIES	266-271
FIRE EXTINGUISHER	272-273
F.O.P.S. KIT	274-275
FLASHER LIGHTS	276-277
FRONT AUXILIARY	278-279
GAS SPRING KIT	280-281
HAND CONTROL KIT	282-285
HEATER & A/C	286-309
HORN KIT	310-311
LIFT LIT	312-315
LIGHT KIT	316-317
MUFFLER/PURIFIER KIT	318-319
POWER BOB-TACH KIT	320-321
POWER BOB-TACH	322-325
RADIATOR SCREEN KIT	326-327
REAR AUXILIARY	328-331
REAR AUXILIARY VALVE	332-333
REAR DOOR LOCK	334-335

T190 CONTENTS (Cont'd)

ACCESSORIES & OPTIONS (Cont'd) 212-353
REAR WIPER 336-337
SEAL ENCLOSURE KIT 338-339
SEAT 340-343
SEAT BELT 344-347
SOUND REDUCTION HARDHAT 348-349
STROBE LIGHT 350-351
BULK ITEMS 352-353
NUMERICAL INDEX 354-399
NUMERICAL INDEX 354-399

T190 CONTENTS

MAIN FRAME	11-42
MAINTENANCE ITEMS	11-12
MAINTENANCE SCHEDULE ITEMS	13-20
MAIN FRAME	21-22
OPERATOR CAB	23-26
SEAT & SEAT BAR	27-28
SEAT	29-30
PANELS	31-32
REAR DOOR	33-34
LIFT ARMS & BOBTACH	35-36
BOB-TACH	37-38
FUEL SYSTEM	39-42
DRIVE TRAIN	43-52
DRIVE TRAIN	43-44
TRACK TENSIONER	45-46
FRONT IDLER	47-48
REAR IDLER	49-50
TRACK ROLLER	51-52
HYDRAULIC SYSTEM	53-82
HYDRAULIC CIRCUITRY	53-60
MANUAL LIFT RELEASE SYSTEM	61-62
AUXILIARY HYDRAULICS	63-64
TILT CYLINDER	65-66
LIFT CYLINDER	67-68
CONTROL PEDALS	69-70
HYDRAULIC CONTROL VALVE	71-78
BICS CONTROL VALVE	79-80
MANUAL LIFT RELEASE VALVE	81-82
HIGH FLOW HYDRAULICS	83-88
HIGH FLOW HYDRAULICS	83-88
HYDROSTATIC SYSTEM	89-122
HYDROSTATIC CIRCUITRY	89-96
HAND CONTROLS	97-100
HYDROSTATIC MOTOR	101-108
HYDROSTATIC PUMP	109-116
GEAR PUMP	117-118
HYDROSTATIC OIL FILTER	119-122
ELECTRICAL SYSTEM	123-142
CAB ELECTRICAL CIRCUITRY	123-124
ENGINE ELECTRICAL CIRCUITRY	125-128
CONTROLS ELECTRICAL	129-138
ALTERNATOR	139-140
STARTER	141-142
POWER UNIT	143-208
COOLING SYSTEM	143-146
ENGINE & ATTACHING PARTS	147-154
THROTTLE	155-156
COOLING FAN DRIVE ASSY.	157-158
ENGINE & GASKET KITS	159-160
GEARCASE	161-162
OIL COOLER	163-164
CRANKCASE	165-166
ROCKER ARM COVER	167-168
VALVE ROCKER ARM	169-170

T190 CONTENTS (Cont'd)

POWER UNIT (Cont'd)	143-208
CYLINDER HEAD	171-172
OIL PAN	173-174
PISTON & CRANKSHAFT	175-176
FUEL CAMSHAFT	177-178
CAMSHAFT	179-180
WATER PUMP	181-182
WATER FLANGE & THERMOSTAT	183-184
MANIFOLDS	185-186
TURBO CHARGER	187-188
OIL PIPE	189-190
ENGINE STOP LEVER	191-192
GOVERNOR	193-194
SPEED CONTROL PLATE	195-196
BOOST COMPENSATOR	197-198
INJECTION PUMP	199-202
INJECTOR NOZZLES	203-204
INJECTOR HOLDER	205-206
AIR CLEANER	207-208
ACCESSORIES & OPTIONS	212-353
ACS CONVERSION KIT	212-213
ACCESSORIES HARNESS	214-215
BACK-UP ALARM	216-217
BEACON	218-219
BLOCK HEATER	220-221
BOB-TACH LEVERS	222-223
BUCKET POSITIONING VALVE KIT	224-227
CAB DOOR	228-237
CAB ENCLOSURE	238-241
CAB WINDOWS	242-245
DECALS	246-249
DELUXE CAB	250-251
DUAL BATTERY KIT	252-253
DUAL DAMPENER KIT	254-255
ELECTRICAL CONNECTOR KIT	256-257
ELECTRICAL CONTROLS KIT	258-263
ENGINE MOUNT KIT	264-265
EUROPEAN ACCESSORIES	266-271
FIRE EXTINGUISHER	272-273
F.O.P.S. KIT	274-275
FLASHER LIGHTS	276-277
FRONT AUXILIARY	278-279
GAS SPRING KIT	280-281
HAND CONTROL KIT	282-285
HEATER & A/C	286-309
HORN KIT	310-311
LIFT LIT	312-315
LIGHT KIT	316-317
MUFFLER/PURIFIER KIT	318-319
POWER BOB-TACH KIT	320-321
POWER BOB-TACH	322-325
RADIATOR SCREEN KIT	326-327
REAR AUXILIARY	328-331
REAR AUXILIARY VALVE	332-333
REAR DOOR LOCK	334-335

T190 CONTENTS (Cont'd)

ACCESSORIES & OPTIONS (Cont'd)	212-353
REAR WIPER	336-337
SEAL ENCLOSURE KIT	338-339
SEAT	340-343
SEAT BELT	344-347
SOUND REDUCTION HARDHAT	348-349
STROBE LIGHT	350-351
BULK ITEMS	352-353
NUMERICAL INDEX	354-399
NUMERICAL INDEX	354-399

Buy Now



Our support email:

ebooklibonline@outlook.com