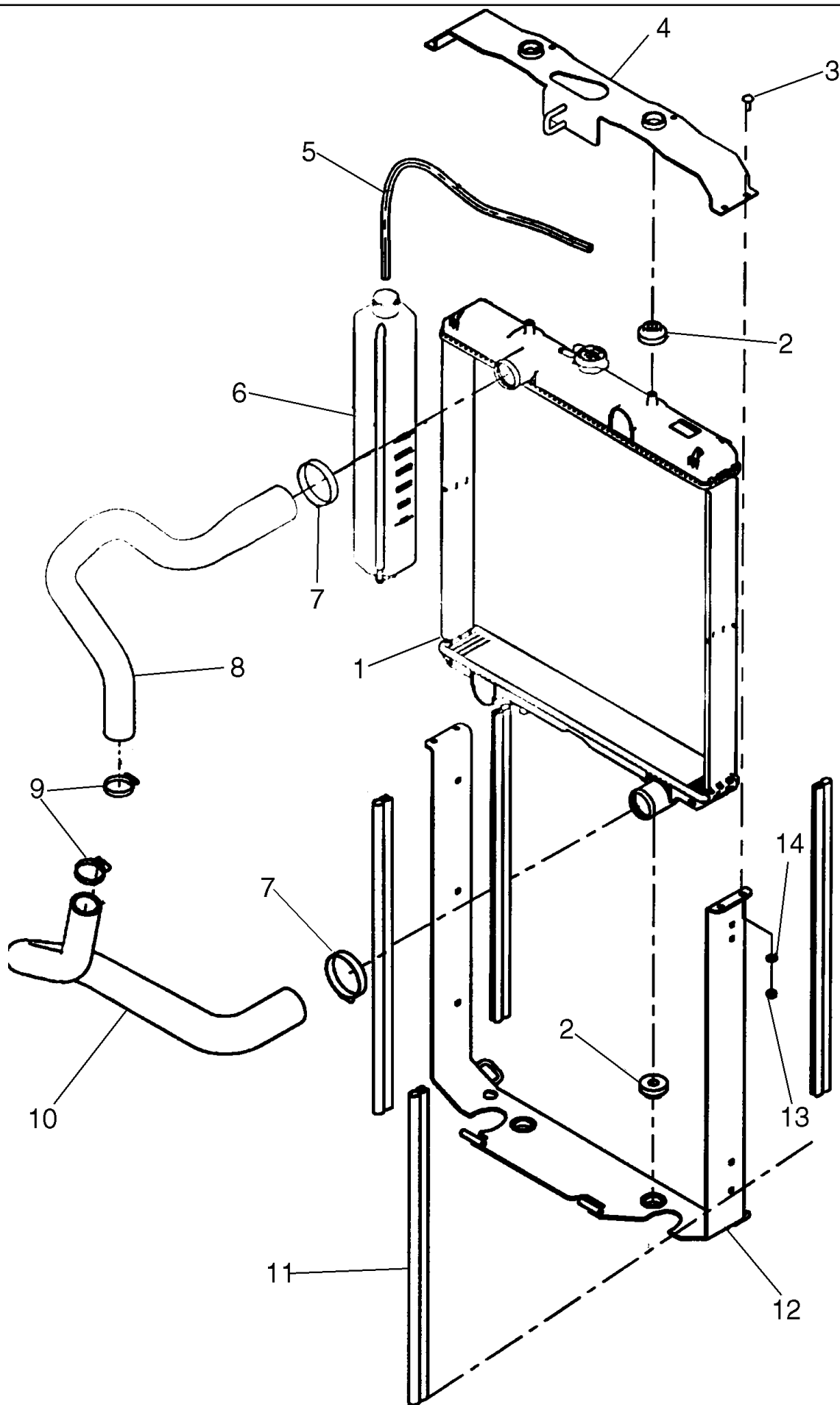




# PARTS CATALOGUE

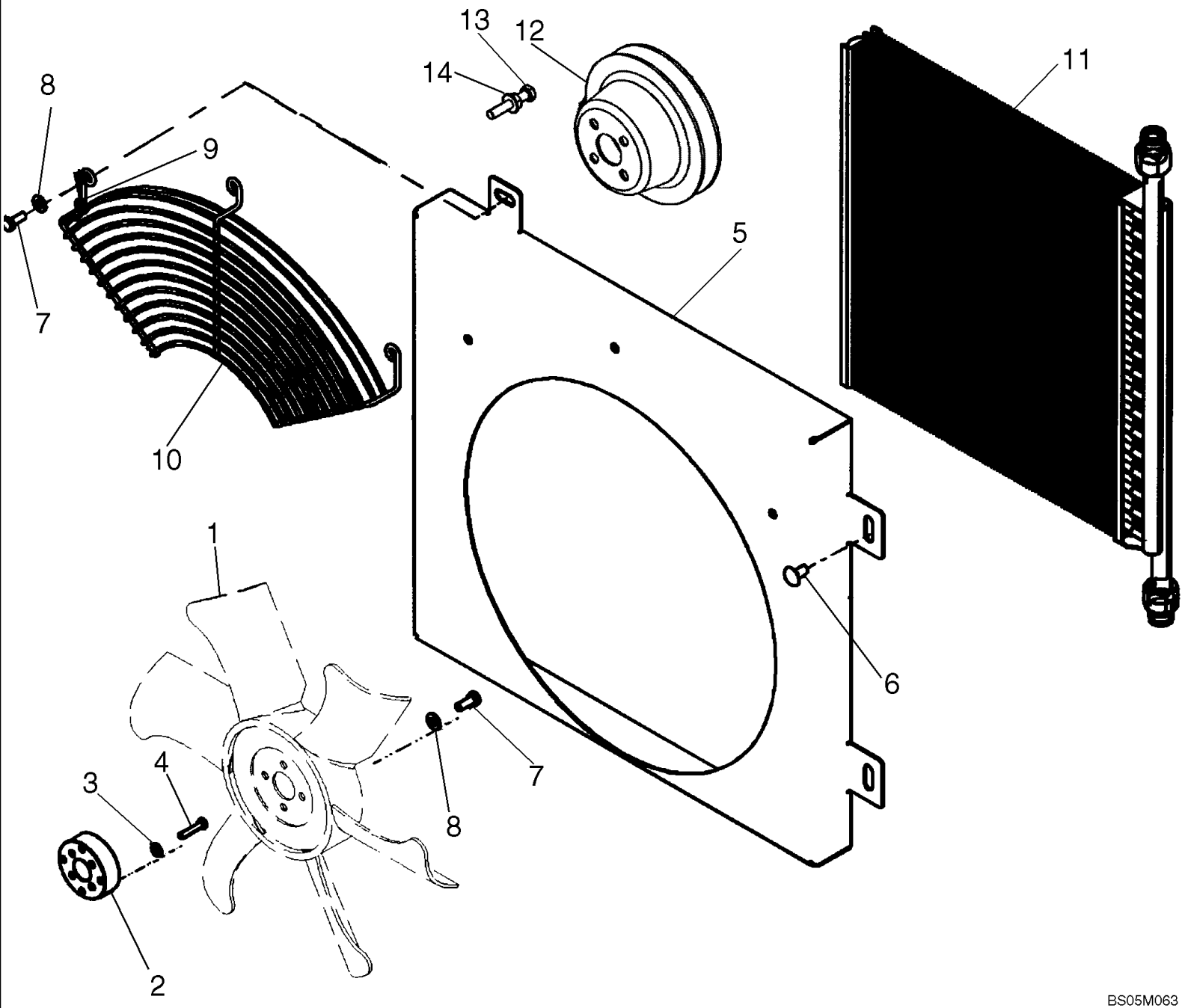
SKID STEER LOADER  
410



## 410 SKID STEER (2/05- )

## 02-01 RADIATOR - COOLANT RECOVERY SYSTEM

Ref	Part Number	Qty	Description
1	87013856	1	RADIATOR, Incl. 1A, 1B
1A	87032485	1	DRAINCOCK/TAP, SUPPLY, Drain
1B	87032486	1	CAP, RADIATOR,
2	87017045	4	CUSHION,
3	280638	4	BOLT, CARRIAGE, Short NK, 1/4"-20 x 3/4", G5, Full Thd,
4	87459340	1	FRAME, Upper Radiator; Component Parts Not Serviced Separately
5	87047483	1	HOSE, Coolant Recovery
6	87020980	1	RESERVOIR, COOLANT EXPNSN, Incl. Cap 257884A1
	257884A1	1	PLUG,
7	86050202	2	CLAMP, #32, 1.56/2.50 Type F Worm,
8	87047295	1	HOSE, Upper Radiator
9	513309	2	CLAMP, #24, 1.06/2.00 Type F Worm,
10	87047294	1	HOSE, Lower Radiator
11	87033635	4	SEAL,
12	87050449	1	FRAME ASSY, Lower Radiator
12	87393454	1	FRAME, Lower Radiator; Replaces 87050449
13	7770	4	NUT, 1/4"-20, G5,
14	322357	4	WASHER, SPRING, Belleville, M6,



## 410 SKID STEER (2/05- )

## 02-02 FAN MOUNTING

Ref	Part Number	Qty	Description
1	SBA145306740	1	FAN,
2	9860094	1	SPACER, Fan
3	322357	4	WASHER, SPRING, Belleville, M6,
4	80120101	4	SCREW, M6 x 30
5	87052892	1	SHROUD,
6	86508748	4	BOLT, CARRIAGE, Short NK, 3/8"-16 x 3/4", G5, Full Thd,
7	120104	7	SCREW, Hex, M8 x 20, 8.8,
8	322358	7	WASHER, SPRING, Belleville, M8,
9	86624184	3	WASHER, M8 x 16 x 1.6,
10	87018958	1	GUARD, Fan
11	REF	1	INSTRUCTION, See Figure 06-01, Oil Cooler
12	SBA145337030	1	PULLEY, European Models
13	86977789	1	SCREW, Hex, M6 x 35, 8.8, Replaces Existing High Idle Screw And Jam Nut On Injection Pump
14	86511444	1	NUT, M6, Flg Ser,

Thank you so much for reading.  
Please click the “Buy Now!”  
button below to download the  
complete manual.



After you pay.

You can download the most  
perfect and complete manual in  
the world immediately.

Our support email:

[ebooklibonline@outlook.com](mailto:ebooklibonline@outlook.com)