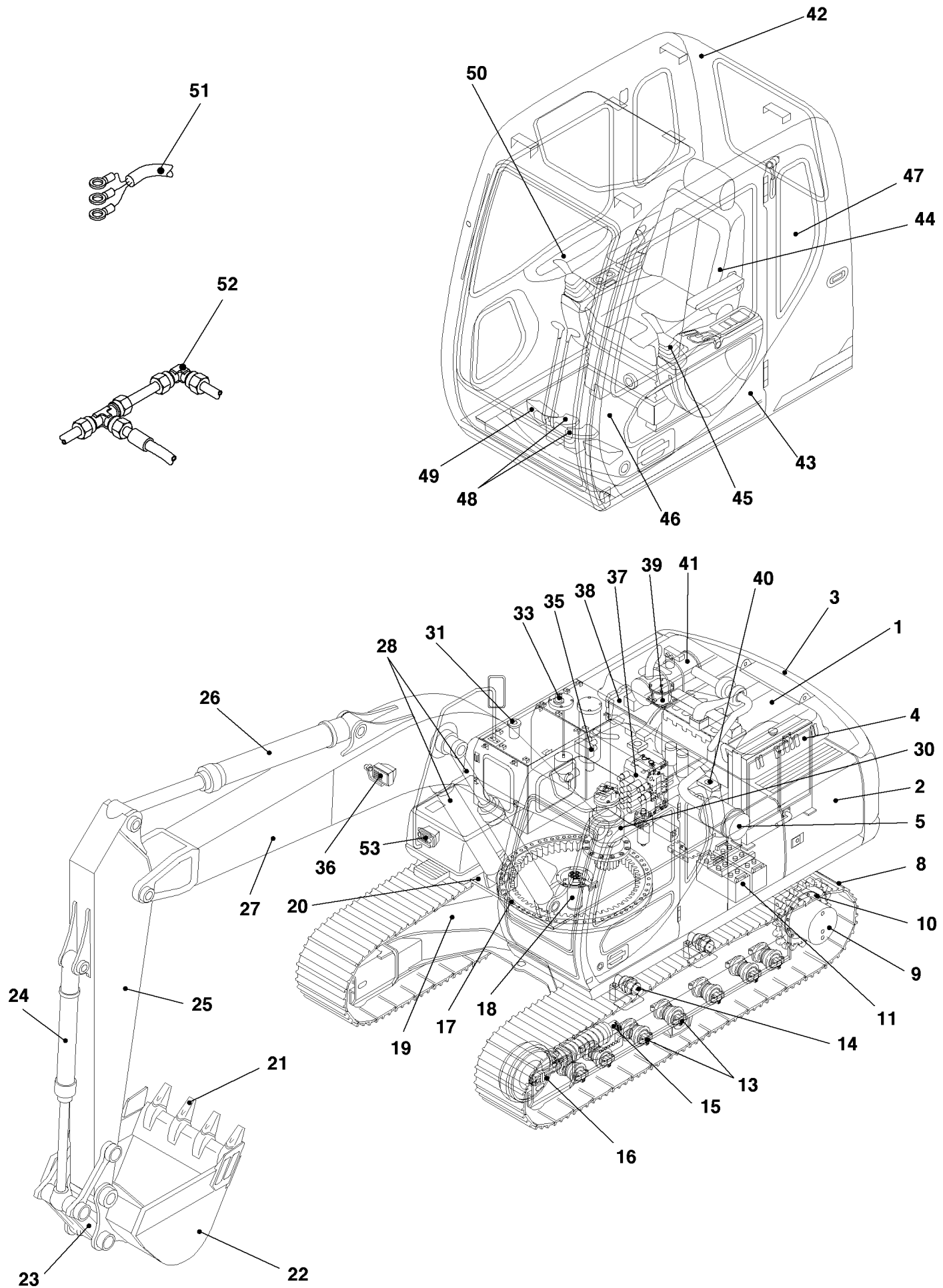




PARTS CATALOGUE

CX210
CASE CRAWLER EXCAVATOR



CX210 CASE CRAWLER EXCAVATOR (EUROPE) (5/03-)

01-003-00(01) COMPONENT INDEX

Ref	Part Number	Qty	Description
1		1	ENGINE MOUNTING - ENGINE - See Page : 02-003-00
2		1	COWLING - See Pages : 09-007-00, 09-011-00 to 09-019-00, CX210 LC / CX210 LR
2		1	COWLING - See Pages : 09-007B-00, 09-011B-00 to 09-019B-00, CX210 NLC / CX230
3		1	COUNTERWEIGHT - See Page : 09-009-00, CX210 LC
3		1	COUNTERWEIGHT - See Page : 09-009B-00, CX210 NLC / CX230
3		1	COUNTERWEIGHT - See Page : 09-009D-00, CX210 LR
4		1	WATER CIRCUIT - See Page : 02-009-00, CX210 LC / CX210 LR
4		1	WATER CIRCUIT - See Page : 02-009B-00, CX210 NLC / CX230
5		1	AIR FILTRATION - See Page : 02-005-00, CX210 LC / CX210 LR
5		1	AIR FILTRATION - See Page : 02-005B-00, CX210 NLC / CX230
8		1	STEEL TRACK - See Page : 05-009-00, CX210 LC
8		1	STEEL TRACK - See Page : 05-011-00, CX210 NLC / CX230
8		1	STEEL TRACK - See Page : 05-011B-00, CX210 LR
9		1	TRAVEL MOTOR AND REDUCTION GEAR - See Page : 06-003-00
10		1	SPROCKET - See Page : 06-003-00
11		1	BATTERIES - See Page : 04-021-00
13		1	ROLLER LOWER - See Page : 05-019-00
14		1	ROLLER UPPER - See Page : 05-017-00
15		1	TENSION DAMPER - See Page : 05-015-00
16		1	GUIDE PULLEY - See Page : 05-013-00
17		1	SWING COMPONENTS - See Page : 09-003-00, CX210 LC / CX210 LR
17		1	SWING COMPONENTS - See Page : 09-003B-00, CX210 NLC / CX230
18		1	SWING JOINT - See Page : 07-013-00
19		1	UNDERCARRIAGE - See Page : 05-003-00, CX210 LC / CX210 LR
19		1	UNDERCARRIAGE - See Page : 05-003B-00, CX210 NLC / CX230
20		1	UPPERSTRUCTURE CHASSIS - See Page : 09-005-00, CX210 LC / CX210 LR
20		1	UPPERSTRUCTURE CHASSIS - See Page : 09-005B-00, CX210 NLC / CX230
21		1	TOOTH TIPS - See Page : 09-101-00, CX210 LC / CX210 NLC / CX230
21		1	TOOTH TIPS - See Page : 09-101B-00, CX210 LR
22		1	BUCKET - See Pages : 09-087-00, 09-093F-00, 09-095-00, 09-099-00, CX210 LC / CX210 NLC / CX230
22		1	BUCKET - See Pages : 09-093B-00, 09-093D-00, 09-097B-00, 09-097D-00, 09-099B-00, CX210 LR
23		1	BUCKET CONTROL - See Page : 09-085-00, CX210 LC / CX210 NLC / CX230
23		1	BUCKET CONTROL - See Page : 09-085B-00, CX210 LR
24		1	BUCKET CYLINDER - See Page : 09-083-00, CX210 LC / CX210 NLC / CX230
24		1	BUCKET CYLINDER - See Page : 09-083B-00, CX210 LR
25		1	DIPPER - See Pages : 09-075B-00 to 09-079-00, CX210 LC / CX210 NLC / CX230
25		1	DIPPER - See Page : 09-079B-00, CX210 LR
26		1	DIPPER CYLINDER - See Page : 09-081-00, CX210 LC / CX210 NLC / CX230
26		1	DIPPER CYLINDER - See Page : 09-081B-00, CX210 LR
27		1	MONOBLOCK BOOM - See Page : 09-071-00, CX210 LC / CX210 NLC / CX230
27		1	MONOBLOCK BOOM - See Page : 09-073F-00, CX210 LR
27		1	OFFSET BACKHOE BOOM - See Page : 09-073B-00
28		1	BOOM CYLINDER - See Page : 09-075-00
30		1	SWING MOTOR-DRIVE REDUCTION GEAR - See Pages : 06-007-00, 06-009-00

CX210 CASE CRAWLER EXCAVATOR (EUROPE) (5/03-)

01-003-00(01) COMPONENT INDEX

Ref	Part Number	Qty	Description
31		1	FUEL TANK - See Page : 03-003-00, CX210 LC / CX210 LR
31		1	FUEL TANK - See Page : 03-003B-00, CX210 NLC / CX230
33		1	HYDRAULIC RESERVOIR - See Page : 08-003-00, CX210 LC / CX210 LR
33		1	HYDRAULIC RESERVOIR - See Page : 08-003B-00, CX210 NLC / CX230
35		1	VALVE SOLENOIDE - See Page : 08-045-00, CX210 LC / CX210 LR
35		1	VALVE SOLENOIDE - See Page : 08-049B-00, CX210 NLC / CX230
36		1	LAMP, WORK - See Page : 04-017-00
37		1	CONTROL VALVE - See Pages : 08-077-00, 08-077D-00, CX210 LC / CX210 NLC / CX230
37		1	CONTROL VALVE - See Pages : 08-077B-00, 08-077D-00, CX210 LR
38		1	HYDRAULIC PUMP - COUPLING - See Pages : 08-005-00, 08-005B-00
39		1	OIL FILTER - See Page : 08-013-00
40		1	TANK, EXPANSION - See Page : 02-009-00, CX210 LC / CX210 LR
40		1	TANK, EXPANSION - See Page : 02-009B-00, CX210 NLC / CX230
41		1	EXHAUST - See Page : 02-007-00
42		1	CAB - See Pages : 09-057-00 to 09-065-00
43		1	CAB DOOR - See Page : 09-067-00
44		1	SEAT - See Page : 09-033-00
45		1	HAND CONTROL VALVE - See Page : 09-023-00
46		1	MAT, FLOOR - OPERATORS COMPARTMENT - See Pages : 09-021-00, 09-033-00
47		1	HEATING CIRCUIT- See Pages : 09-043B-00, 09-043F-00, CX210 LC / CX210 LR
47		1	HEATING CIRCUIT- See Pages : 09-043D-00, 09-043F-00, CX210 NLC / CX230
47		1	AIR CONDITIONING - See Pages : 09-045-00, 09-053-00, CX210 LC / CX210 LR
47		1	AIR CONDITIONING - See Pages : 09-045-00, 09-053B-00, CX210 NLC / CX230
48		1	TRAVEL CONTROL - See Page : 09-025-00
49		1	OPTION CONTROL - See Pages : 09-027-00 to 09-027D-00
50		1	SIDE INSTRUMENT PANEL - See Page : 04-023-00
51		1	ELECTRICAL CIRCUIT - See Pages : 04-003-00, 04-009-00 to 04-013-00, CX210 LC / CX210 LR
51		1	ELECTRICAL CIRCUIT - See Pages : 04-007B-00 to 04-013-00, CX210 NLC / CX230
52		1	HYDRAULIC CIRCUIT - See Page : 07-003-00, CX210 LC / CX210 LR, Undercarriage
52		1	HYDRAULIC CIRCUIT - See Page : 07-003B-00, Undercarriage, CX210 NLC / CX230
52		1	HYDRAULIC CIRCUIT - See Pages : 08-007-00 to 08-019-00, 08-031-00 to 08-059H-00, CX210 LC / CX210 LR, Upperstructure chassis
52		1	HYDRAULIC CIRCUIT - See Pages : 08-007B-00 to 08-019B-00, 08-031-00 to 08-059H-00, Upperstructure chassis, CX210 NLC / CX230
52		1	HYDRAULIC CIRCUIT - See Pages : 08-021-00 to 08-029J-00, 08-059J-00 to 08-061H-00, 08-113-00 to 08-117-00, Attachments, CX210 LC / CX210 NLC / CX230
52		1	HYDRAULIC CIRCUIT - See Pages : 08-021-00 to 08-023-00, 08-025B-00 to 08-025F-00, 08-029L-00, 08-029N-00, CX210 LR, Attachments
53		1	LAMP, HEAD - See Page : 04-017-00

Thank you so much for reading.
Please click the “Buy Now!”
button below to download the
complete manual.



After you pay.

You can download the most
perfect and complete manual in
the world immediately.

Our support email:

ebooklibonline@outlook.com