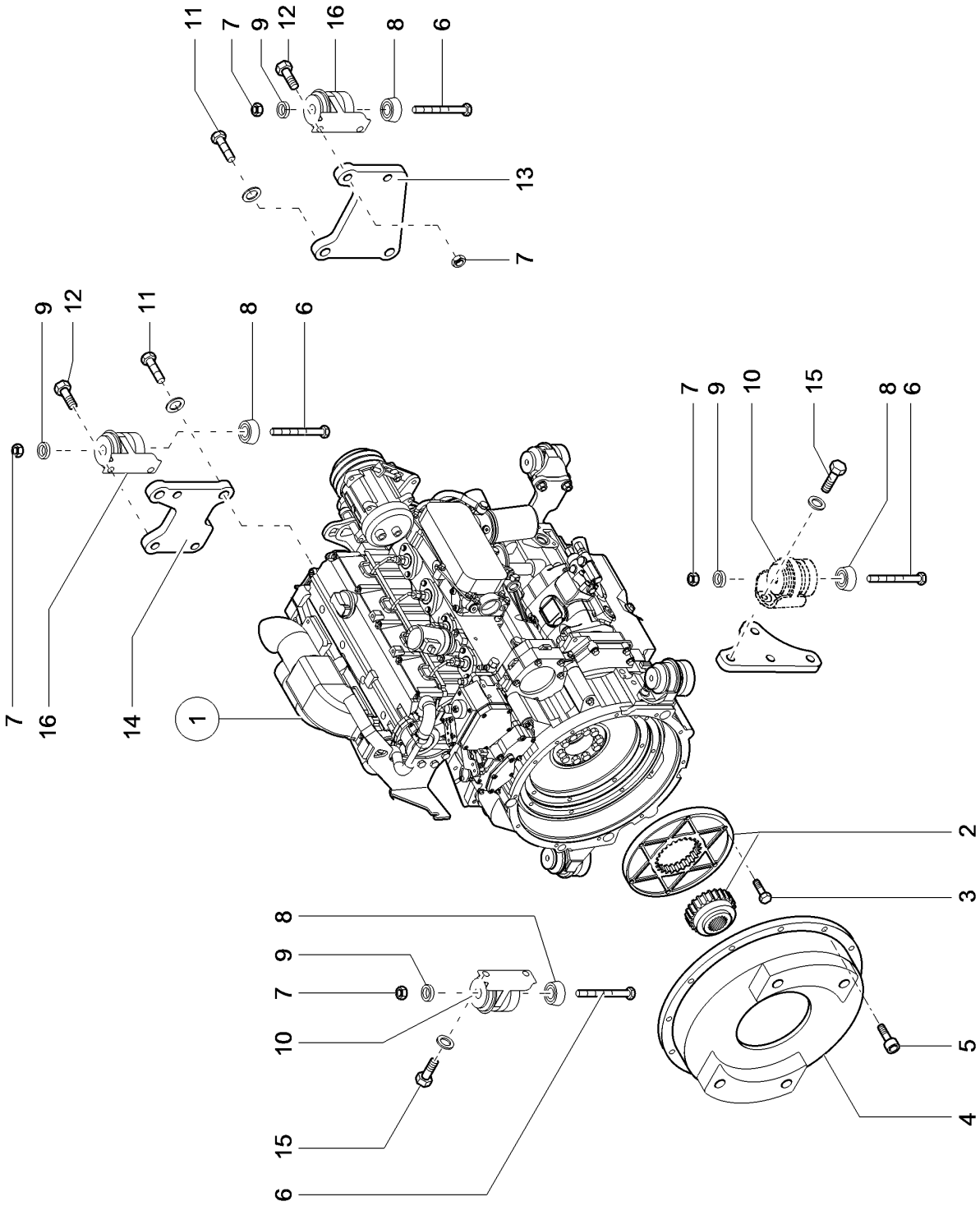
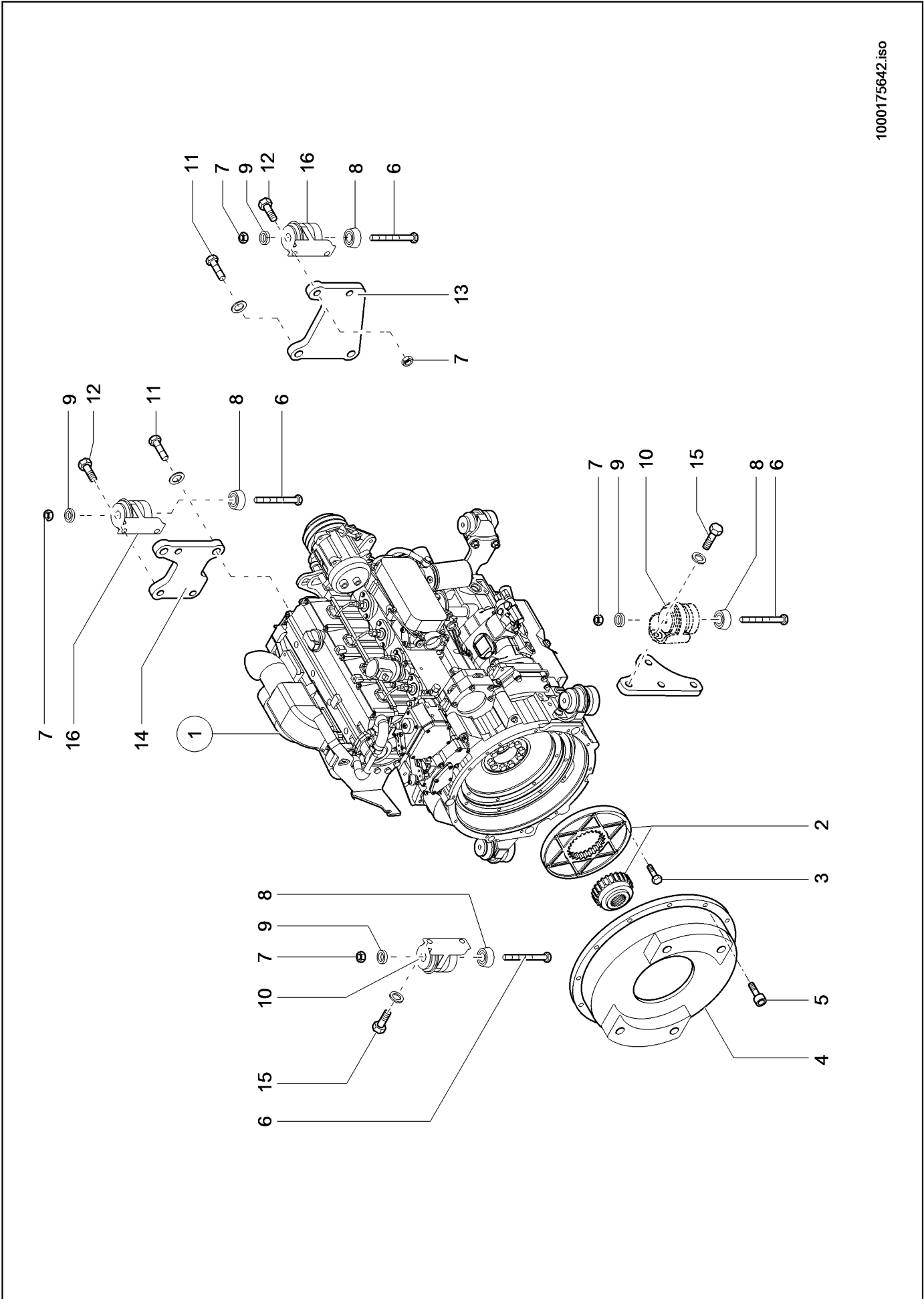


1000175642.iso



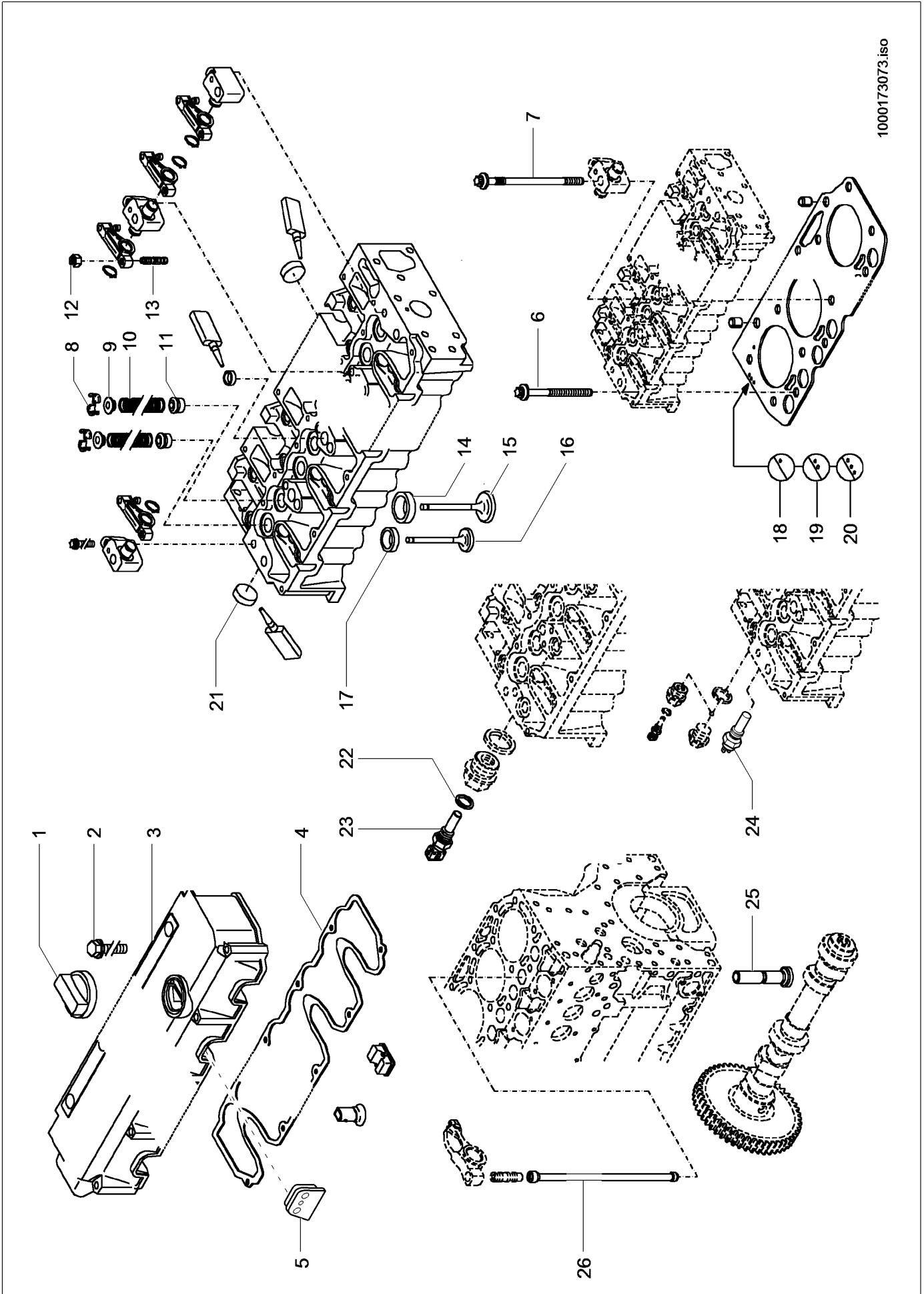
100 ENGINE SUSPENSION 1)

Pos.	Part No.	Description	Dimension	Quantity	Conditions
1	00 1302 286 0	DIESEL ENGINE	TCD 2012 LO4 2V 88 KW/24	1	2)
2	00 1300 828 1	CLUTCH		1	
3	00 0237 874 0	HEXAGON HEAD BOLT	M10X35	8	
4	00 1300 444 0	FLANGE		1	
5	00 0235 495 1	SOCKET HEAD SCREW	M10X 25	12	
6	00 0242 380 0	HEXAGON HEAD BOLT	M12X120	4	
7	00 0238 315 0	HEXAGONAL NUT	M12	4	
8	00 1301 651 0	SPACER PIECE		4	
9	00 1301 652 0	WASHER		4	
10	00 1301 630 0	SHUT OFF PLATE		2	
11	00 0237 573 0	HEXAGON HEAD BOLT	M12X50	2	
12	00 0214 777 0	SOCKET HEAD SCREW	M12X 40	2	
13	00 1300 481 0	BEARING PLATE		1	
14	00 1300 364 0	BEARING PLATE		1	
15	77 0102 992 4	HEXAGON HEAD SCREW		4	
16	00 1301 870 0	STAND		2	
1)	machine no.		+ up to 402030090		
2)	Remarks		88 KW		



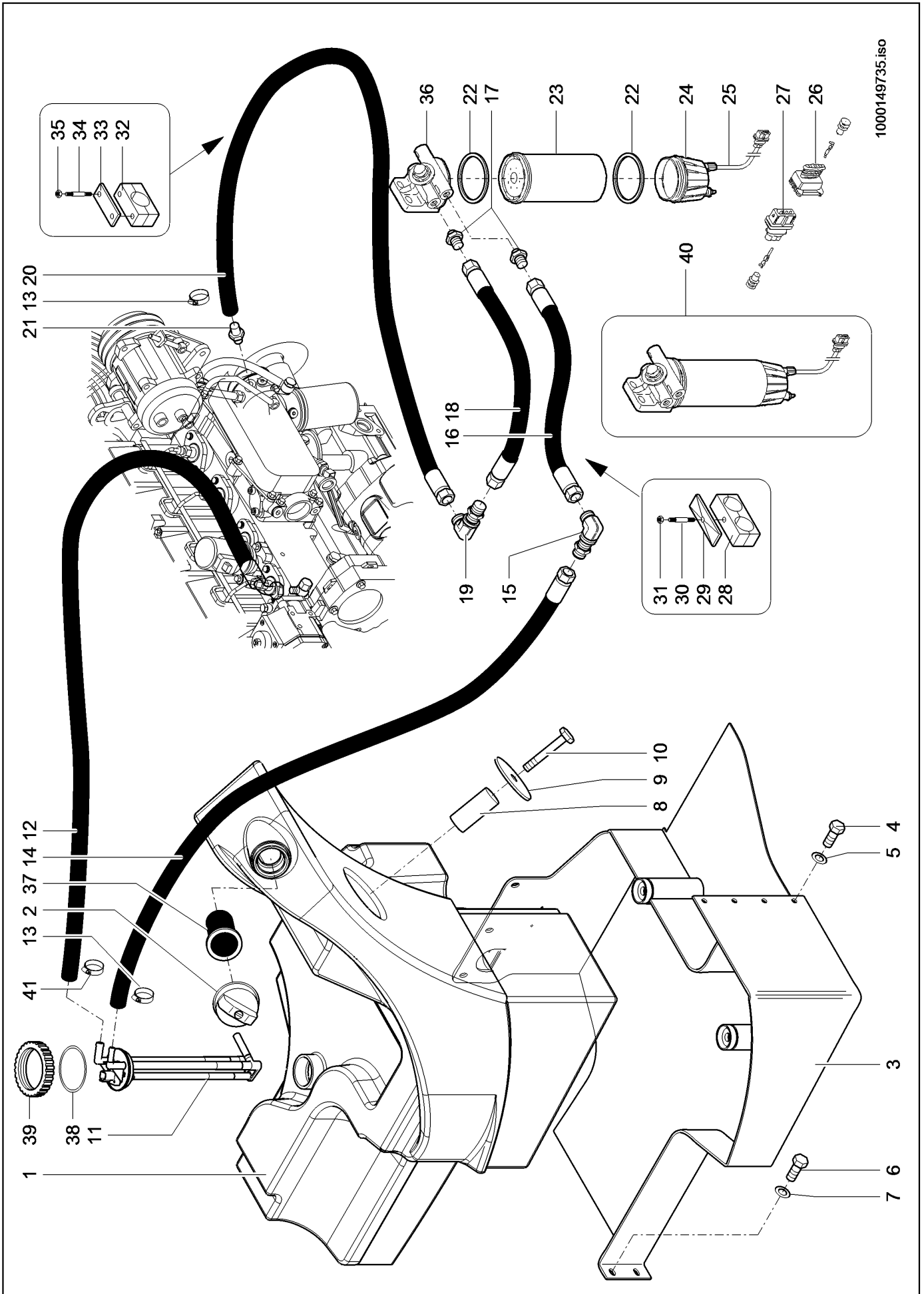
100 ENGINE SUSPENSION 1)

Pos.	Part No.	Description	Dimension	Quantity	Conditions
1	00 1302 286 1	DIESEL ENGINE	TCD 2012 LO4 2V 88 KW/24	1	2)
2	00 1300 828 1	CLUTCH		1	
3	00 0237 874 0	HEXAGON HEAD BOLT	M10X35	8	
4	00 1300 444 0	FLANGE		1	
5	00 0235 495 1	SOCKET HEAD SCREW	M10X 25	12	
6	00 0242 380 0	HEXAGON HEAD BOLT	M12X120	4	
7	00 0238 315 0	HEXAGONAL NUT	M12	4	
8	00 1301 651 0	SPACER PIECE		4	
9	00 1301 652 0	WASHER		4	
10	00 1301 630 0	SHUT OFF PLATE		2	
11	00 0237 573 0	HEXAGON HEAD BOLT	M12X50	2	
12	00 0214 777 0	SOCKET HEAD SCREW	M12X 40	2	
13	00 1300 481 0	BEARING PLATE		1	
14	00 1300 364 0	BEARING PLATE		1	
15	77 0102 992 4	HEXAGON HEAD SCREW		4	
16	00 1301 870 0	STAND		2	
1)	machine no.		+ from 402030091		
2)	Remarks		88 KW		



100 CYLINDER HEAD

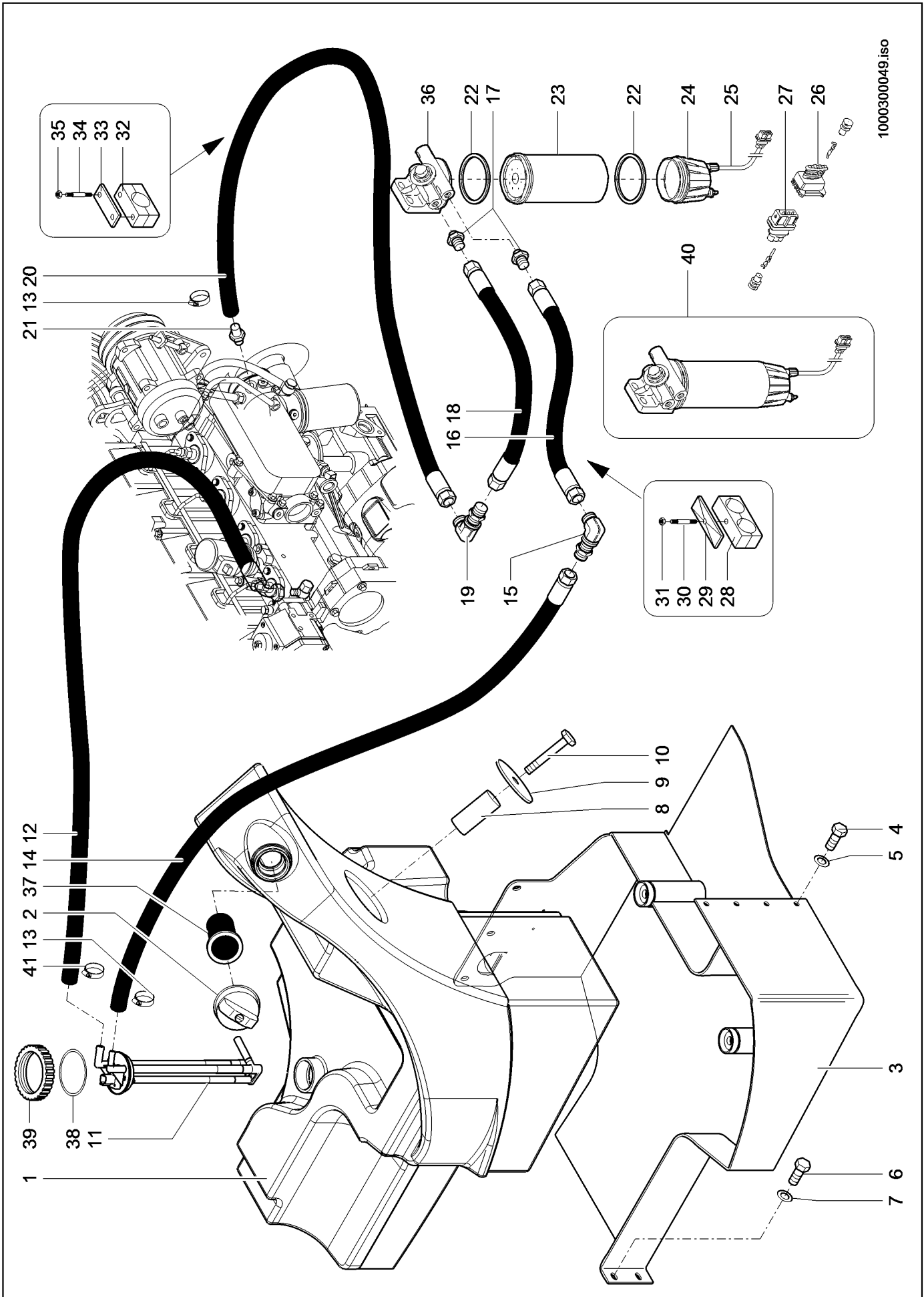
Pos.	Part No.	Description	Dimension	Quantity	Conditions
1	60 0502 637 0	LOCKING COVER		1	
2	00 1301 669 0	HEXAGON HEAD SCREW	F-M 6X 75	9	
3	00 1301 670 0	VALVE COVER		1	
4	00 1302 392 0	VALVE COVER SEAL		1	
5	60 0502 647 1	RUBBER HOSE		3	
6	00 1301 675 0	SOCKET HEAD SCREW		13	
7	00 1301 671 0	SOCKET HEAD SCREW		5	
8	60 0501 420 9	VALVE CONE		16	
9	00 1302 403 0	SPRING PLATE		8	
10	00 1301 665 0	COMPRESS.SPRING		8	
11	60 0503 141 5	SEALING RING		8	
12	60 0502 640 4	HEXAGONAL NUT		8	
13	60 0500 072 5	ADJUSTING SCREW		8	
14	00 1301 666 0	VALVE SEAT		4	
15	00 1302 446 0	INLET VALVE		4	
16	00 1302 447 0	OUTLET VALVE		4	
17	00 1301 666 0	VALVE SEAT		4	
18	00 1301 672 0	CYLINDER HEAD GASKET		1	
19	00 1301 673 0	CYLINDER HEAD GASKET		1	
20	00 1301 674 0	CYLINDER HEAD GASKET		1	
21	60 0502 630 0	LOCKING COVER	A 36	3	
22	00 1134 937 0	SEALING RING	A 12 X 15,5 X 1,5 -CU	1	
23	00 1135 524 0	SENDER UNIT		1	
24	00 1300 176 0	TEMPERAT.FEELER	50 - 150°C - M14X1,5	1	
25	00 1301 677 0	PLUNGER		8	
26	00 1301 676 0	BUMPER		8	



1000149735.iso

100 FUEL TANK 1)

Pos.	Part No.	Description	Dimension	Quantity	Conditions
1	00 1300 416 0	FUEL TANK		1	
2	00 1305 708 0	LOCKING COVER	KRAFTSTOFFTANK	1	
3	00 1300 611 0	BEARING		1	
4	00 0237 383 0	HEXAGON HEAD BOLT	M10X25	7	
5	00 0215 683 0	WASHER	10,5	7	
6	77 0002 771 6	SECURING SCREW	M16X45-VERBUS RIPP	2	
7	00 0214 612 0	WASHER	16	2	
8	00 1300 436 0	SPACER TUBE		1	
9	00 1301 418 0	WASHER		1	
10	00 0215 898 0	HEXAGON HEAD BOLT	M16X160	1	
11	00 1300 458 1	SUCTION LANCE	MONOSTABILE REEDKONTAKTE	1	
12	00 1301 266 0	HYDR. HOSE		1	
13	00 1301 433 0	CLAMP	A 12-22X9 W1	2	
14	00 1301 240 0	HOSE PIPE		1	
15	00 0215 102 0	ANGLE UNION	BHE-L15	1	
16	00 1301 238 0	HYDR. HOSE		1	
17	00 1301 591 0	SCREW-IN FITTING	SDS-L15XM16X1, 5-TYPE E	2	
18	00 1301 239 0	HYDR. HOSE		1	
19	00 0215 102 0	ANGLE UNION	BHE-L15	1	
20	00 1301 240 0	HOSE PIPE		1	
21	00 1302 368 0	HOSE FITTING		1	
22	00 1301 646 0	SEAL KIT		1	
23	00 1301 644 0	FUEL FILTER		1	
24	00 1301 645 0	WATER CONTAINER		1	
25	00 1301 682 0	CABLE HARNESS	CABLE WITH SENSOR	1	
26	00 0178 556 0	CENTRAL PLUG	3 POLIG, KO-001807211		
27	00 1301 647 0	PLUG		1	
28	00 1301 437 0	CLAMP	Z KP-3-R-20-20-PP	3	
29	00 1300 064 0	COVER PLATE	Z DP-3-W1 ERS.D.313226.	3	
30	00 1301 540 0	STUD BOLT	M8X90	3	
31	00 0236 170 0	HEXAGONAL NUT	M8	3	
32	00 1301 447 0	CLAMP	L KP-3-R-20-PA	1	
33	00 1300 066 0	COVER PLATE	L DP-3-W1	1	
34	00 1301 536 0	STUD BOLT	M6X55	2	
35	00 0211 113 0	LOCK NUT	M6	2	
36	00 1302 108 0	SUPPORT BRACKET		1	
37	00 1302 051 0	FILL IN STRAINER		1	
38	00 1304 554 0	GASKET	75 X 67 X 4 NBR/SBR 65	1	
39	00 1302 876 0	UNION NUT	S80 X 4	1	
40	00 1302 434 0	FILTER HEAD		1	2)
41	00 0223 018 0	CLAMP	COBRA 15/8	1	
1)	machine no.	+ up to 402031236			
2)	Remarks	complete			



1000300049.iso

100 FUEL TANK 1)

Pos.	Part No.	Description	Dimension	Quantity	Conditions
1	00 1300 416 0	FUEL TANK		1	
2	00 1300 181 0	LOCKING COVER	KRAFTSTOFFTANK	1	
3	00 1300 611 0	BEARING		1	
4	00 0237 383 0	HEXAGON HEAD BOLT	M10X25	7	
5	00 0215 683 0	WASHER	10,5	7	
6	77 0002 771 6	SECURING SCREW	M16X45-VERBUS RIPP	2	
7	00 0214 612 0	WASHER	16	2	
8	00 1300 436 0	SPACER TUBE		1	
9	00 1301 418 0	WASHER		1	
10	00 0215 898 0	HEXAGON HEAD BOLT	M16X160	1	
11	00 1300 458 0	SUCTION LANCE	BISTABILE REEDKONTAKTE	1	
12	00 1301 266 0	HYDR. HOSE		1	
13	00 1301 433 0	CLAMP	A 12-22X9 W1	2	
14	00 1301 240 0	HOSE PIPE		1	
15	00 0215 102 0	ANGLE UNION	BHE-L15	1	
16	00 1301 238 0	HYDR. HOSE		1	
17	00 1301 591 0	SCREW-IN FITTING	SDS-L15XM16X1, 5-TYPE E	2	
18	00 1301 239 0	HYDR. HOSE		1	
19	00 0215 102 0	ANGLE UNION	BHE-L15	1	
20	00 1301 240 0	HOSE PIPE		1	
21	00 1302 368 0	HOSE FITTING		1	
22	00 1301 646 0	SEAL KIT		1	
23	00 1301 644 0	FUEL FILTER		1	
24	00 1301 645 0	WATER CONTAINER		1	
25	00 1301 682 0	CABLE HARNESS	CABLE WITH SENSOR	1	
26	00 0178 556 0	CENTRAL PLUG	3 POLIG, KO-001807211		
27	00 1301 647 0	PLUG		1	
28	00 1301 437 0	CLAMP	Z KP-3-R-20-20-PP	3	
29	00 1300 064 0	COVER PLATE	Z DP-3-W1 ERS.D.313226.	3	
30	00 1301 540 0	STUD BOLT	M8X90	3	
31	00 0236 170 0	HEXAGONAL NUT	M8	3	
32	00 1301 447 0	CLAMP	L KP-3-R-20-PA	1	
33	00 1300 066 0	COVER PLATE	L DP-3-W1	1	
34	00 1301 536 0	STUD BOLT	M6X55	2	
35	00 0211 113 0	LOCK NUT	M6	2	
36	00 1302 108 0	SUPPORT BRACKET		1	
37	00 1302 051 0	FILL IN STRAINER		1	
38	00 0212 165 0	O-RING	66X3 -N	1	
39	00 1302 876 0	UNION NUT	S80 X 4	1	
40	00 1302 434 0	FILTER HEAD		1	2)
41	00 0223 018 0	CLAMP	COBRA 15/8	1	
1)	machine no.		+ from 402031280		
2)	Remarks		complete		

Thank you so much for reading.
Please click the “Buy Now!”
button below to download the
complete manual.



After you pay.

You can download the most
perfect and complete manual in
the world immediately.

Our support email:

ebooklibonline@outlook.com