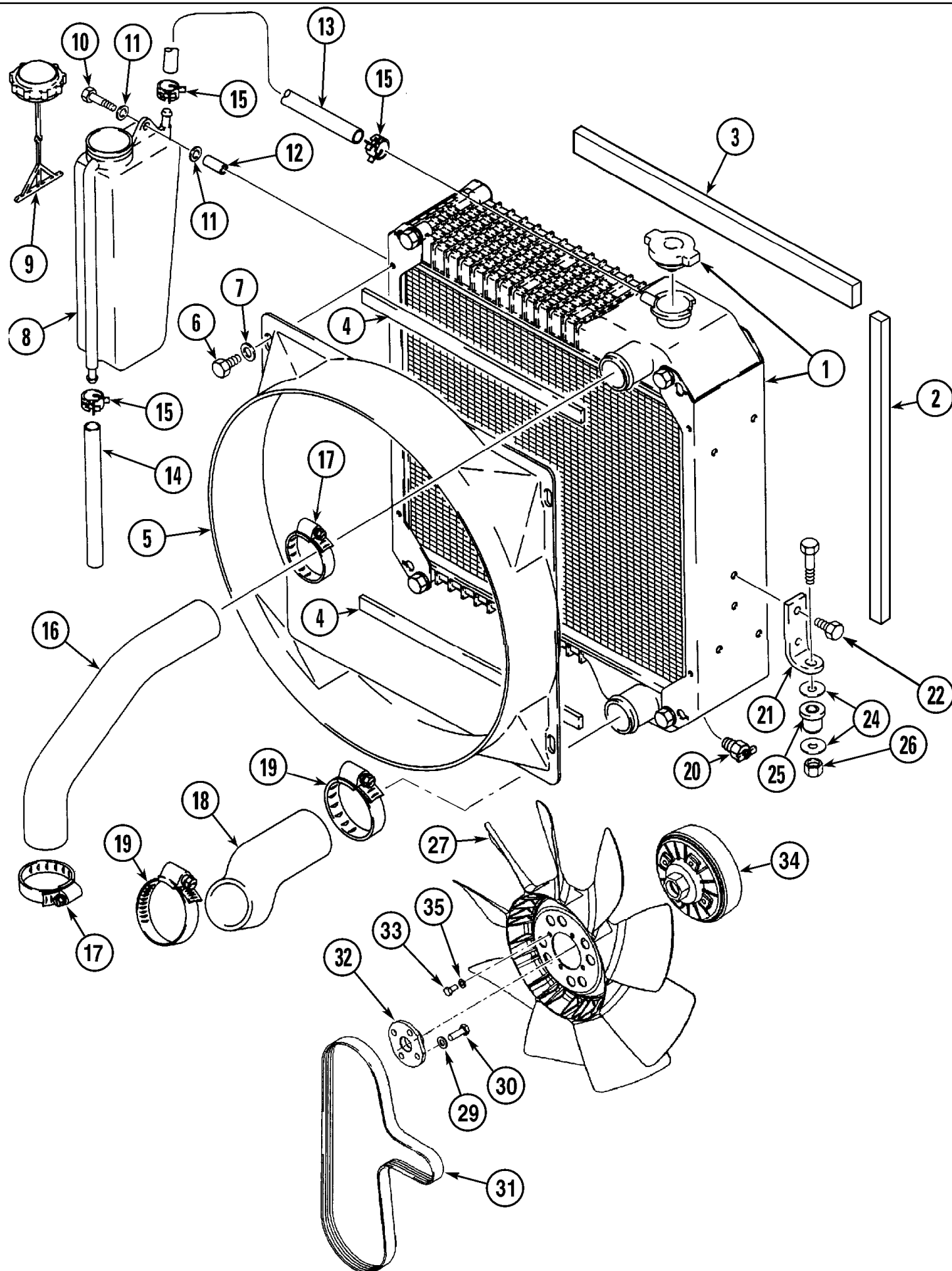




PARTS CATALOGUE

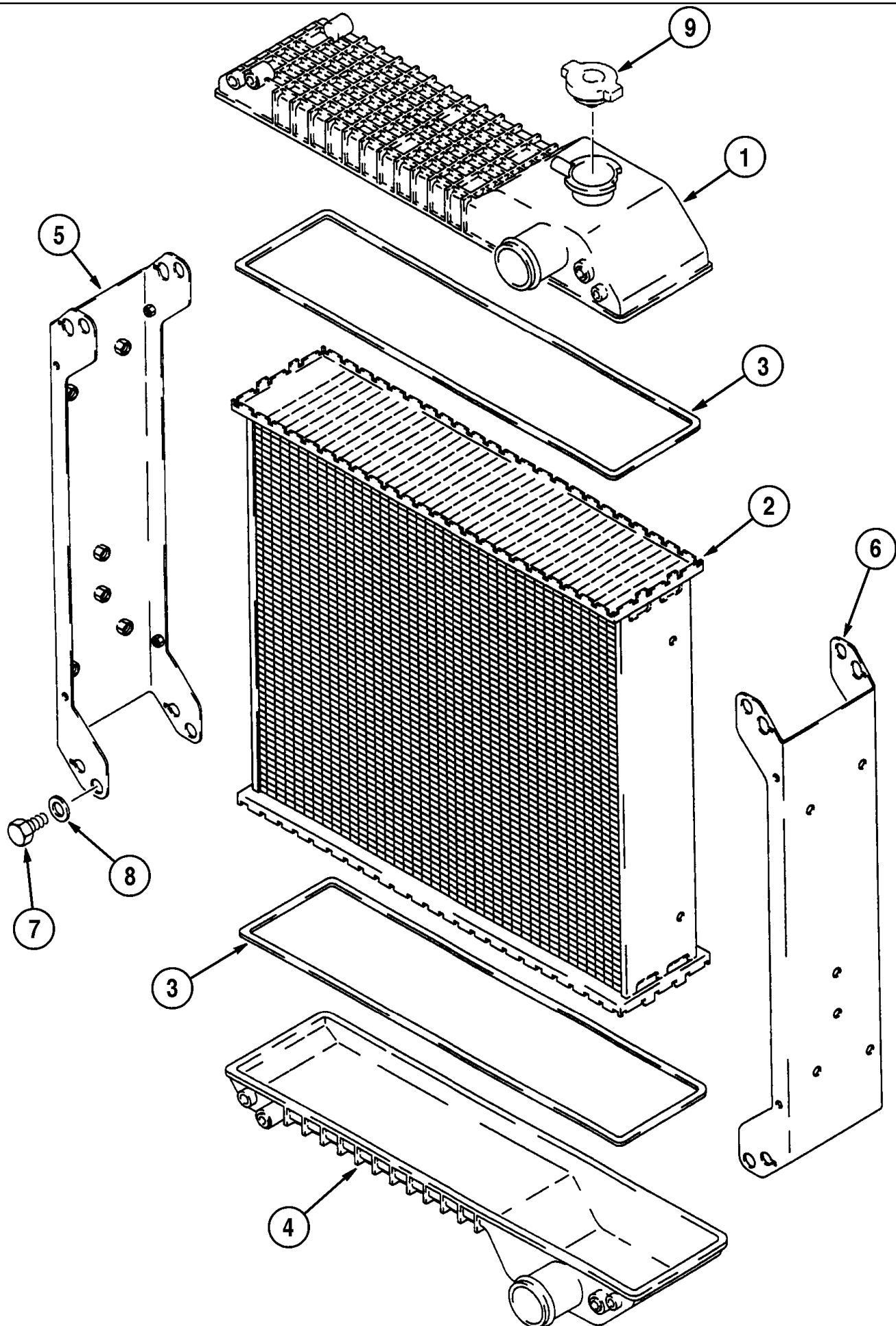
BACKHOE LOADER
580SM



580SM CASE BACKHOE LOADER (EUROPE) (2/02-)

02-001/2B-00(01) COOLING SYSTEM

Ref	Part Number	Qty	Description
1	239739A2	1	RADIATOR, , See Page(s) 02-002B-00-01, Heavy Duty
1	234876A1	1	RADIATOR, , Order 234876A2, See Page(s) 02-002/2C-00-01
2	235038A2	1	SEAL,
3	235040A2	2	SEAL,
4	233272A1	2	SEAL,
5	186433A1	1	SHROUD,
6	806-8016	4	BOLT, Hex, Lock, M8 x 16, Cl 10.9, M8 x 16; 10.9
8	131084A2	1	RESERVOIR, , Consists Of Ref. Number 9
9	1547924C1	1	CAP,
10	806-8050	2	BOLT, Hex, Lock, M8 x 50, Cl 10.9, M8 x 50
11	895-11008	4	WASHER, M8 x 16 x 1.6, 9 x 17 x 1,6 mm
12	132215A1	2	SPACER,
13	366588A1	1	HOSE,
14	366591A1	1	HOSE,
15	A171099	3	CLAMP, HOSE,
16	232366A1	1	HOSE, LARGE,
17	214-1432	2	CLAMP, HOSE, #32, 1.56/2.50 Type F Worm,
18	141513A1	1	HOSE, LARGE,
19	214-1440	2	CLAMP, HOSE, #40, 2.06/3.00 Type F Worm, 2-1/16 - 3
20	217-92	1	COCK, DRAIN, 1/4
21	121501A2	2	SUPPORT,
22	614-8016	4	BOLT, Hex, M8 x 16, 8.8,
23	814-10050	2	BOLT, Hex, M10 x 50, 8.8,
24	K691987	4	WASHER,
25	D52276	2	ISOLATOR,
26	832-10410	2	NUT, LOCK, M10 x 1.5, Cl 8,
27	221854A1	1	FAN,
28	892-11008	4	WASHER, LOCK, M8, M8
29	896-11010	4	WASHER, M10 x 21.5 x 2.5, HT, 11 x 21 x 2,5 mm
30	614-10030	4	BOLT, Hex, M10 x 30, 8.8,
31	86982450	1	V-BELT,
32	303192A1	1	ADAPTER,
33	614-8016	4	BOLT, Hex, M8 x 16, 8.8,
34	303195A1	1	ASSEMBLY,
7	895-15008	4	WASHER, M8 x 20 x 1.6, 9 x 20 x 1,6 mm



580SM CASE BACKHOE LOADER (EUROPE) (2/02-)

02-002/2C-00(01) RADIATOR

Ref	Part Number	Qty	Description
	234876A2	1	RADIATOR, , Consists Of Ref. Numbers 1-9
1	175161A1	1	RESERVOIR,
2	181148A1	1	ASSEMBLY,
3	226586A1	2	PACKAGE,SERVICE,
4	175162A1	1	RESERVOIR,
5	175164A1	1	SUPPORT,
6	175165A2	1	SUPPORT,
7	614-8012	8	BOLT, Hex, M8 x 12, 8.8, Full Thd, M8 x 12; 8,8
8	895-11008	8	WASHER, M8 x 16 x 1.6, 9 x 17 x 1,6 mm
9	A170241	1	CAP, RADIATOR, CAP, FILLER, 15 psi

Thank you so much for reading.
Please click the “Buy Now!”
button below to download the
complete manual.



After you pay.

You can download the most
perfect and complete manual in
the world immediately.

Our support email:

ebooklibonline@outlook.com