

# Parts Manual



See "General Information"  
for New Parts Manual  
Features.

---

## 140H Motor Grader

---

CCA1-Up (Machine)  
3PD1-Up (Engine)  
BJN1-Up (Transmission)  
EDB1-Up (Transmission)

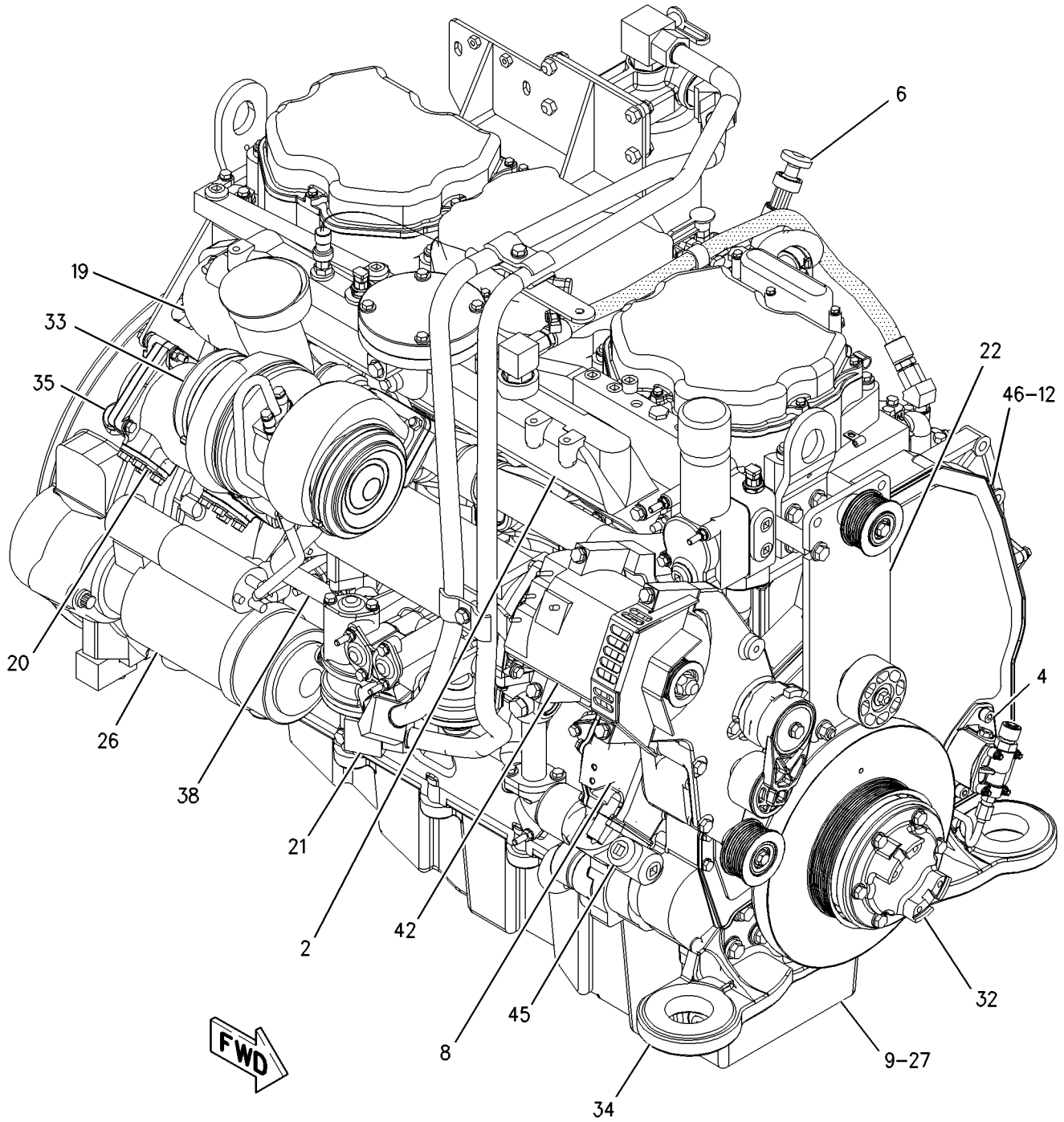
**Powered By 3176C Engine**  
This Parts Manual is also Available in .PDF Format on Compact Disc  
(CD-ROM) - Caterpillar Form No. SERP3684

---

# ENGINE ARRANGEMENT

160-5101 ENGINE AR (contd.)

i01855142



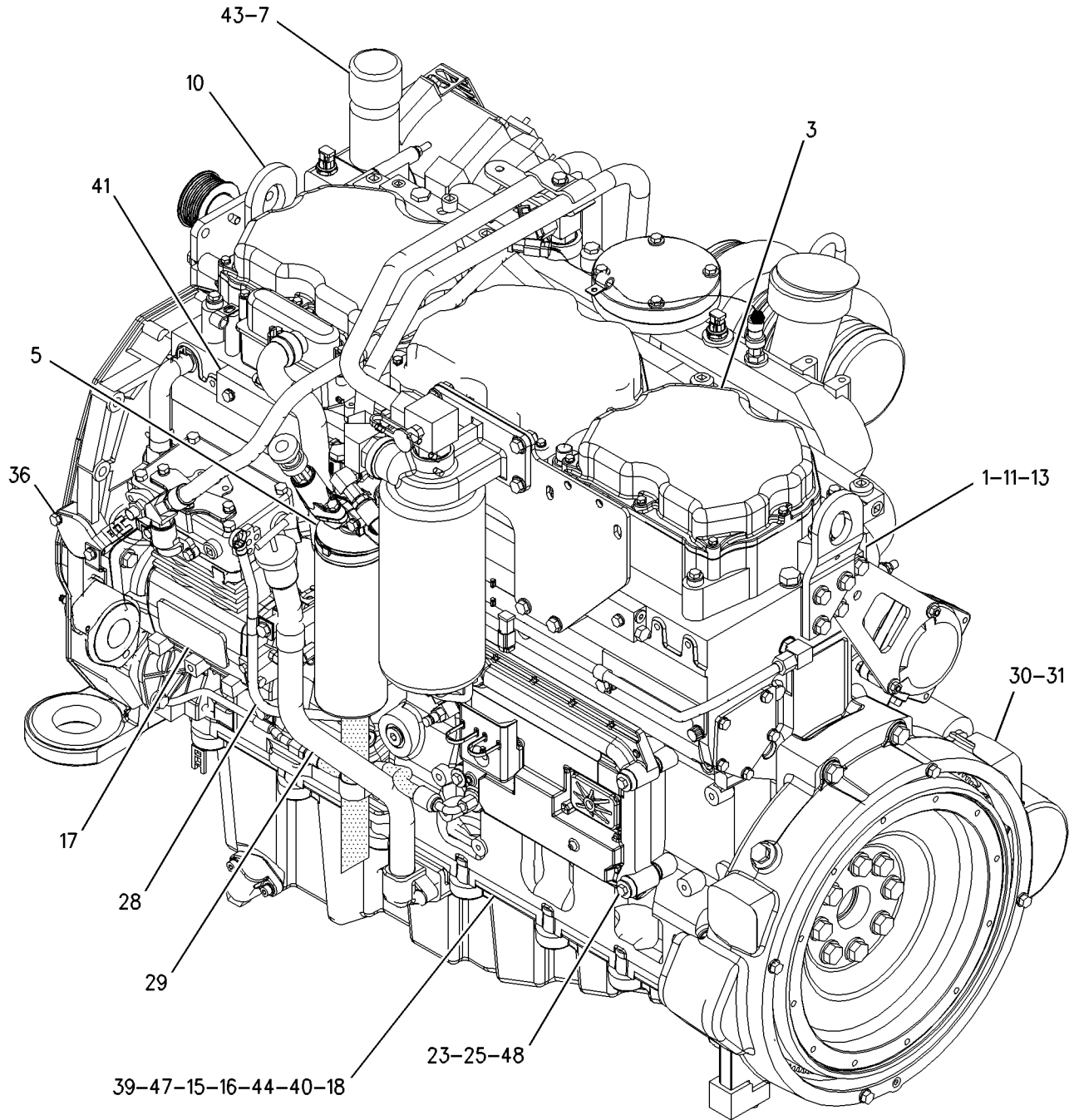
GRAPHIC #1

g00843090

# ENGINE ARRANGEMENT

160-5101 ENGINE AR (contd.)

i01855142



GRAPHIC #2

<END>

g00892119

# ENGINE ARRANGEMENT

## 160-5101 ENGINE AR

S/N: 3PD4381-UP

PART OF 159-4615 GENERAL AR

SMCS - 1000

i02339420

NOTE	PART NUMBER	QTY	PART NAME						SEE PAGE
			1	2	3	4	5	6 (PRODUCT LEVEL)	
Y	234-2413	1	AIR COMPRESSOR GP						16
Y	234-2412	1	BELT TENSIONER GP						20
Y	171-3062	1	CAMSHAFT GP						22
Y	232-5990	1	CONTROL & MTG GP-ENGINE ELEK						156
Y	163-9322	1	COOLER GP-TRANSMISSION OIL						432
			S/N: 3PD4381-12556						
Y	262-7138	1	COOLER GP-TRANSMISSION OIL						434
			S/N: 3PD12557-UP						
Y	174-1762	1	COVER GP-CYLINDER BLOCK						23
Y	132-3210	1	CRANKSHAFT GP						25
Y	180-6662	1	CYLINDER BLOCK GP						29
Y	116-1085	1	CYLINDER HEAD GP						33
Y	174-1591	1	DRIVE GP-ACCESSORY						35
	174-1541	1	ELECTRONICS GP						
Y	174-1579	1	FILLER GP-ENGINE OIL						65
Y	164-2490	1	FILTER GP-ENGINE OIL						66
Y	116-5436	1	FILTER GP-FUEL						113
Y	174-1581	1	FLYWHEEL GP						37
Y	174-1576	1	GAUGE GP-OIL LEVEL (DIPSTICK) (ENGINE)						68
Y	117-2750	1	GEAR GP-FRONT						38
Y	174-1584	1	HOUSING GP-FLYWHEEL						39
Y	133-7075	1	HOUSING GP-FRONT						41
Y	117-2748	1	LIFTING GP-ENGINE						44
Y	233-6663	1	LINES GP-FUEL						116
Y	179-9565	1	LINES GP-TURBOCHARGER OIL						70
Y	116-5460	1	LINES GP-WATER (BYPASS)						81
Y	215-2063	1	LINES GP-WATER						87
Y	118-2808	1	LINES GP-WATER (INLET ELBOW)						82
			S/N: 3PD4381-12556						
Y	255-5307	1	LINES GP-WATER						89
			S/N: 3PD12557-UP						
Y	156-3680	1	MANIFOLD GP-EXHAUST						101
Y	116-5405	1	MANIFOLD GP-INLET						102
Y	116-5408	1	MOUNTING GP-VALVE MECHANISM						46
Y	174-1574	1	PAN GP-OIL						47
			S/N: 3PD4381-10191						
Y	252-8692	1	PAN GP-OIL						49
			S/N: 3PD10192-UP						
Y	132-3203	6	PISTON & ROD GP						51
Y	138-2028	1	PLUG GP-CYLINDER BLOCK						52
			S/N: 3PD4381-12556						
Y	265-3855	1	PLUG GP-CYLINDER BLOCK						52
			S/N: 3PD12557-UP						
Y	174-1760	1	PLUG GP-ENGINE						53
Y	116-5428	1	PUMP & MTG GP-FUEL TRANSFER						123
Y	117-2746	1	PUMP GP-ENGINE OIL						71
Y	190-6017	6	PUMP GP-FUEL INJECTION						124
Y	116-5438	1	PUMP GP-FUEL PRIMING						125
			S/N: 3PD4381-12556						
Y	263-8506	1	PUMP GP-FUEL PRIMING						126
			S/N: 3PD12557-UP						
Y	117-2674	1	PUMP GP-WATER						91
Y	116-1091	1	SEAL GP-CRANKSHAFT						57
Y	174-0620	1	STARTING MOTOR GP-ELECTRIC						296
Y	174-1627	1	SUPPORT GP-ENGINE						58
Y	174-1604	1	TURBOCHARGER GP						107

# ENGINE ARRANGEMENT

160-5101 ENGINE AR (contd.)

i02339420

NOTE	PART NUMBER	QTY	PART NAME						SEE PAGE
			1	2	3	4	5	6 (PRODUCT LEVEL)	
Y	117-2749	1	VALVE MECHANISM GP						60
Y	171-1103	1	WIRING GP-ENGINE						317
Y	117-2760	1	WIRING GP-UNIT INJECTOR						407

GASKET KITS WILL BE PROVIDED WHEN AVAILABLE

Y-SEPARATE ILLUSTRATION

Thank you so much for reading.  
Please click the “Buy Now!”  
button below to download the  
complete manual.



After you pay.

You can download the most  
perfect and complete manual in  
the world immediately.

Our support email:

[ebooklibonline@outlook.com](mailto:ebooklibonline@outlook.com)