

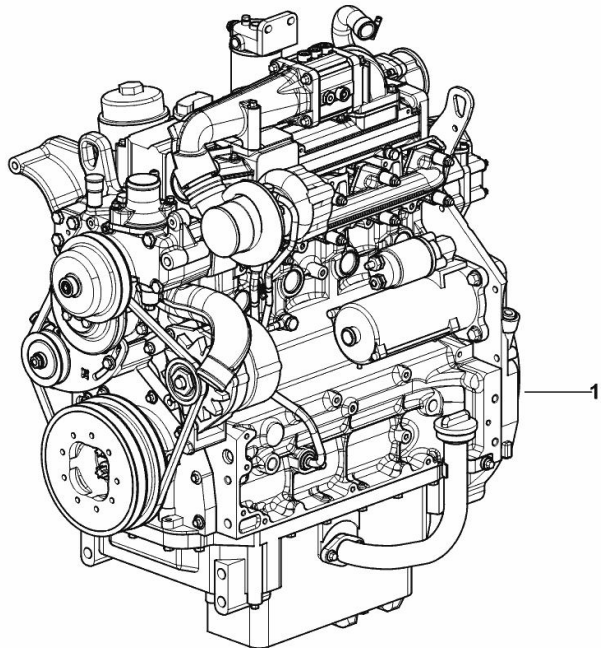
ENGINE

Fig.	P/n	QTY	Name
------	-----	-----	------

Notes:

[Agrofarm 100 ECOLINE]

1	25007152	1	engine ON ORDERING PLEASE ENGINE NO. REQUIRED
---	----------	---	---



9_N9219_01_0-A-001

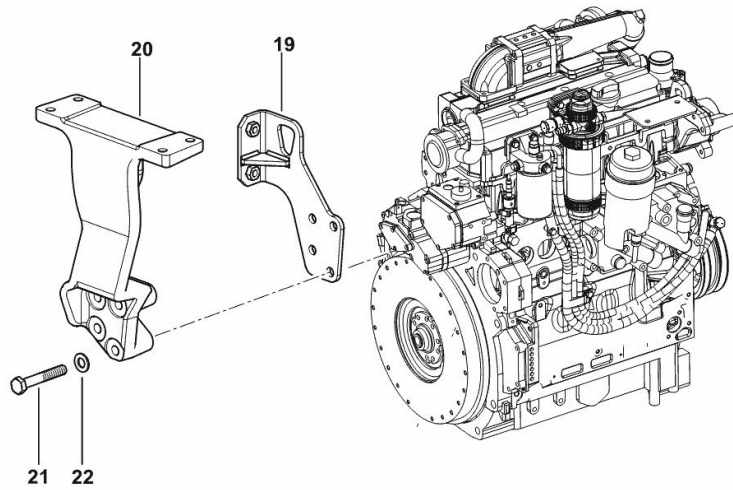
SUPPORTS

Fig.	P/n	QTY	Name
------	-----	-----	------

Notes:

[Agrofarm 100 ECOLINE]

19	0.014.9247.3/20	1	bracket
20	0.010.6442.0/10	1	bracket
21	2.0112.322.2	4	screw m 10 p.1.5x65
22	2.1475.003.2	4	washer 10



9_N9116_01_0-B-001

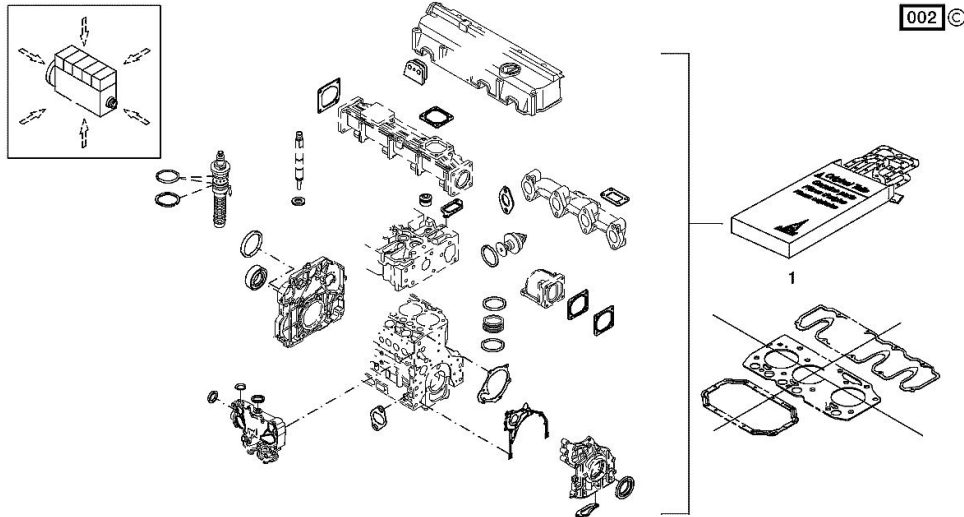
Section: B0 - ENGINE
SERIE GUARNIZIONI

Fig.	P/n	QTY	Name
------	-----	-----	------

Notes:
 [Agrofarm 100 ECOLINE]

Engine serial number:

10442699 10442701 10448724 10448735 10449473 10498497 10498511 10498522 10498523 10511634 10543279
 10543282 10543319 10724873 10724874 10724875 10724883 10724884 10724886 10726912 10731235 10731240
 10731244 10733426 10733428 10733431 10733434 10733437 10733438 10735989 10735996 10735998 10736002
 10736006 10740262 10740293 10740301 10740306 10740307 10742191 10742200 10742202 10744386 10744391
 10744393 10744395 10744397 10744398 66000045 66000058 66000148 66000198 66000200 66000274 66000291
 66000293 66000317 66000326 66000364 66000368 66000374 66000382 66000386 66000388 66000390 66000393
 66000398 66000400 66000402 66000404 66000414 66000416 66000515 66000568



1	02937585	1	gasket set THE KIT DOES NOT CONTAIN ALL THE GASKETS: SEE SM 0199-99-9449
---	----------	---	--

FASTENINGS

Fig.	P/n	QTY	Name
------	-----	-----	------

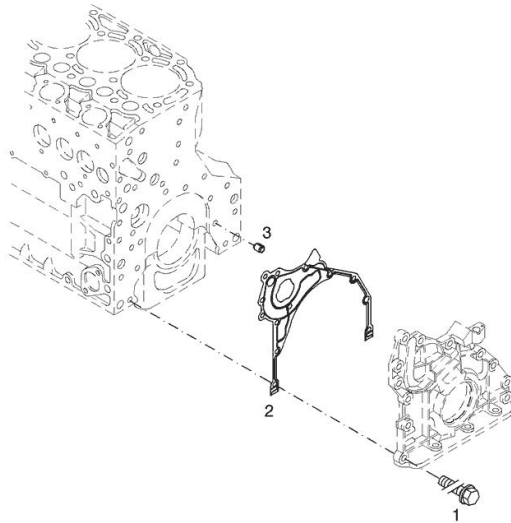
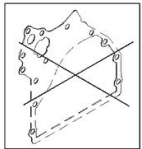
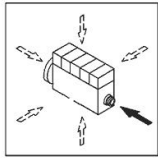
Notes:

[Agrofarm 100 ECOLINE]

Engine serial number:

10442699 10442701 10448724 10448735 10449473 10498497 10498511 10498522 10498523 10511634 10543279
 10543282 10543319 10724873 10724874 10724875 10724883 10724884 10724886 10726912 10731235 10731240
 10731244 10733426 10733428 10733431 10733434 10733437 10733438 10735989 10735996 10735998 10736002
 10736006 10740262 10740293 10740301 10740306 10740307 10742191 10742200 10742202 10744386 10744391
 10744393 10744395 10744397 10744398 66000045 66000058 66000148 66000198 66000200 66000274 66000291
 66000293 66000317 66000326 66000364 66000368 66000374 66000382 66000386 66000388 66000390 66000393
 66000398 66000400 66000402 66000404 66000414 66000416 66000515 66000568

1	01183645	12	screw EN 1662 -F-M8X35-10.9-ZNAL-A
2	04504325	1	gasket
3	01181406	1	bushing H 2341 -B11X8-FE/ZN12C*



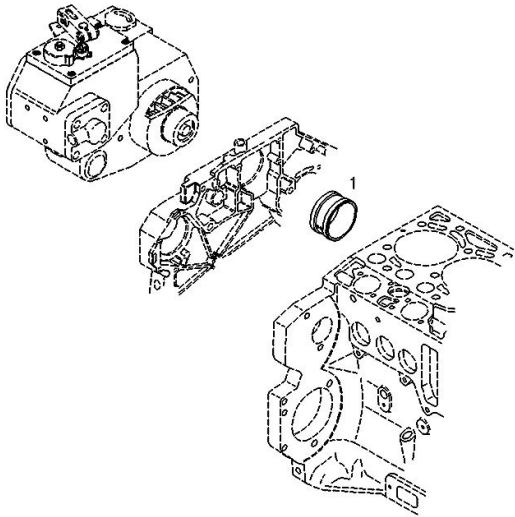
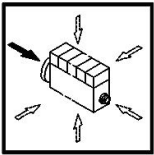
BUSH

Fig.	P/n	QTY	Name
------	-----	-----	------

Notes:
[Agrofarm 100 ECOLINE]

Engine serial number:
10442699 10442701 10448724 10448735 10449473 10498497 10498511 10498522 10498523 10511634 10543279
10543282 10543319 10724873 10724874 10724875 10724883 10724884 10724886 10726912 10731235 10731240
10731244 10733426 10733428 10733431 10733434 10733437 10733438 10735989 10735996 10735998 10736002
10736006 10740262 10740293 10740301 10740306 10740307 10742191 10742200 10742202 10744386 10744391
10744393 10744395 10744397 10744398 66000045 66000058 66000148 66000198 66000200 66000274 66000291
66000293 66000317 66000326 66000364 66000368 66000374 66000382 66000386 66000388 66000390 66000393
66000398 66000400 66000402 66000404 66000414 66000416 66000515 66000568

1	02111679	1	bush
---	----------	---	------



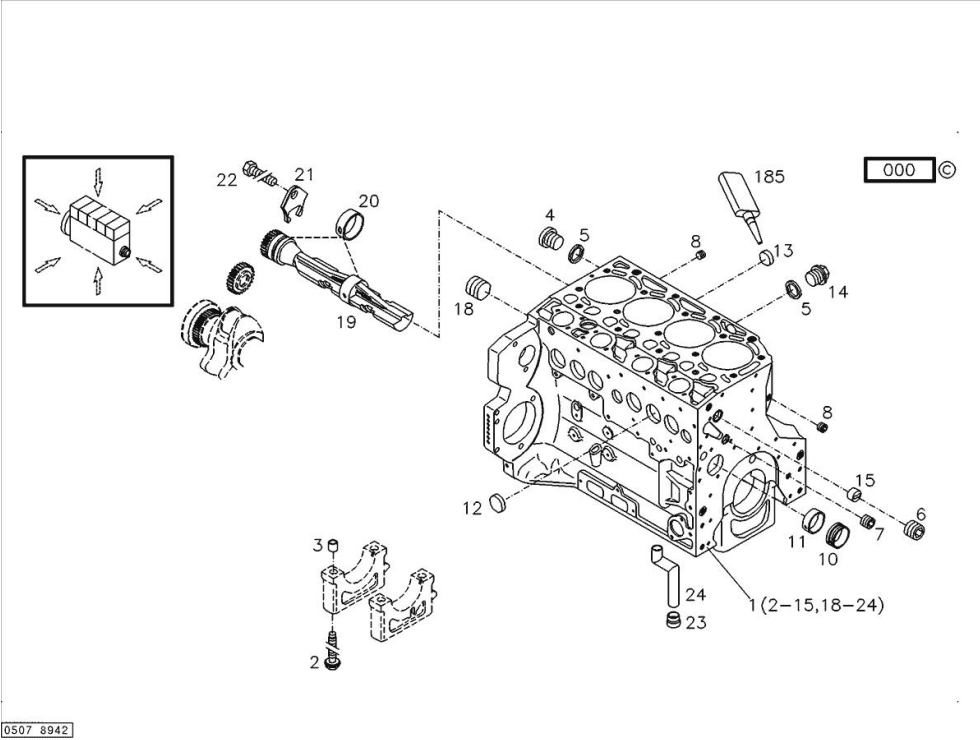
002

Section: B0 - ENGINE
KURBELGEHAEUSE

Fig.	P/n	QTY	Name
------	-----	-----	------

Notes:
[Agrofarm 100 ECOLINE]

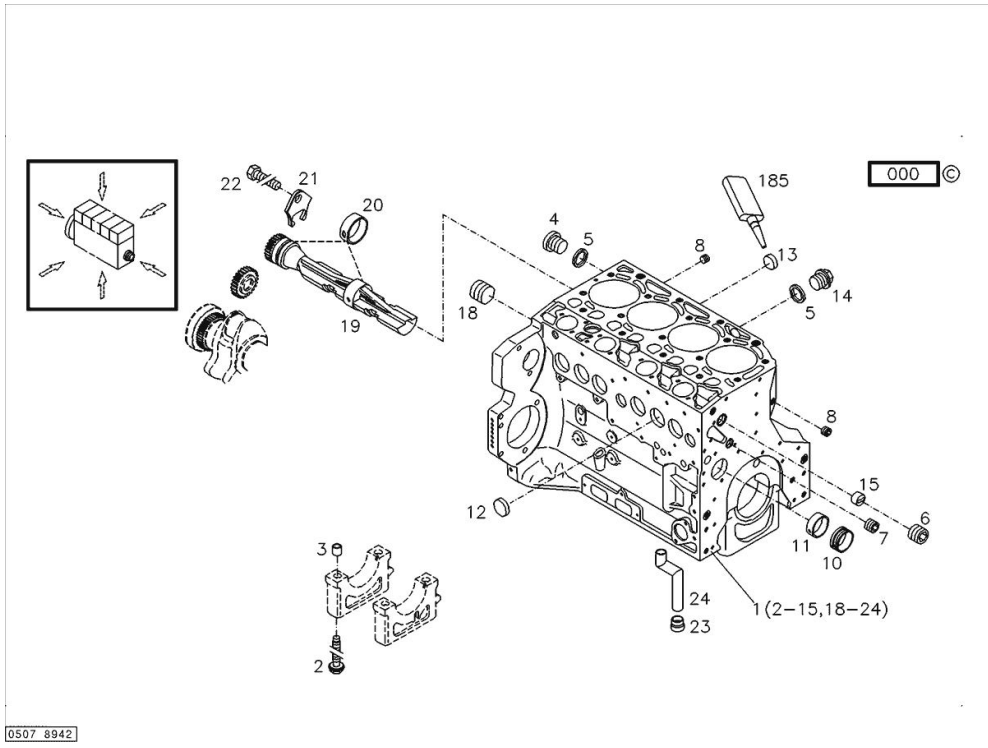
Engine serial number:
 10442699 10442701 10448724 10448735 10449473 10498497 10498511 10498522 10498523 10511634 10543279
 10543282 10543319 10724873 10724874 10724875 10724883 10724884 10724886 10726912 10731235 10731240
 10731244 10733426 10733428 10733431 10733434 10733437 10733438 10735989 10735996 10735998 10736002
 10736006 66000045 66000058 66000148 66000198 66000200 66000274 66000291 66000293 66000317 66000326
 66000364 66000368 66000374 66000382 66000386 66000388 66000390 66000393 66000398 66000400 66000402
 66000404 66000414 66000416 66000515 66000568



185	01319911	1	sealing compound ml. 50
1	04289939	1	crankcase MIT POS.... (2-15,18-24)
2	04254240	10	screw 50 Nm , 90° , 90°
3	04160764	10	bushing
4	01110423	1	screw 35 Nm DIN 908 -M14X1,5-ST-ZNPHRF
5	01118693	3	gasket 14x20 DIN 7603 -A14X20-CU
6	01180890	1	screw 95 Nm H 2812 -906-M30X1,5-ST-A4C-PRE80
7	01180906	1	screw H 2812 -906-M22X1,5-ST-A4C-PRE80
8	01182031	2	screw 35 Nm H 2812 -906-M14X1,5-ST-A3C-LOCTITE506
10	04251884	4	plug
11	04250086	1	ring
12	01148032	6	cover DIN 443 -A45-ZNPHR
13	01179634	4	plug H 2860 -A36-ST-FE/ZNPHR
14	01100940	2	screw 35 Nm DIN 7604 -AM14X1,5-ST-A4C
15	04202518	1	sleeve
18	04226536	1	bottom 30 Nm
19	04259301	2	shaft

Section: B0 - ENGINE
KURBELGEHAEUSE

Fig.	P/n	QTY	Name
20	04252834	4	bush
21	04251810	2	plug
22	01181672	2	nut
23	04255998	1	ring
24	04254026	1	pipng



0507 8942

Buy Now



Our support email:

ebooklibonline@outlook.com