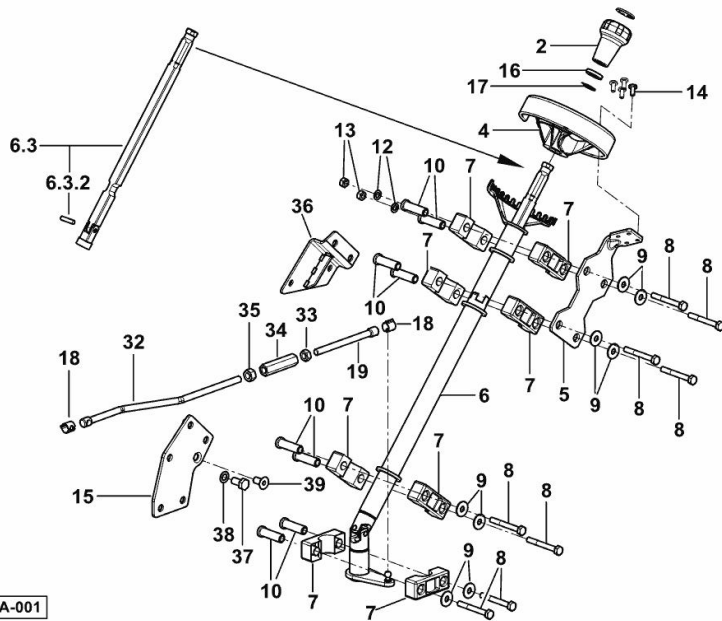


S.A.C. GROUND CONTROL

Fig.	P/n	QTY	Name
------	-----	-----	------

Notes:

- FOR MODELS WITH CAB [Agrofarm 410 2WD -> 16001] - FOR MODELS WITH CAB [Agrofarm 410 4WD -> 16001]



2	0.257.6413.0	1	grip
4	0.016.3382.0/20	1	cover
5	0.016.3317.0/10	1	bracket
6	0.016.3329.4/10	1	control
6.3	0.016.3332.4	1	lever
6.3.2	2.1630.608.0	1	pin 6x16
7	0.008.2619.0/10	8	small block
8	2.0112.222.2	8	screw m 8 p.1.25x65
9	2.1312.004.2	8	washer 8x24x2
10	2.1559.237.2	8	bush
12	2.1470.004.2	2	lock washer 8
13	2.1011.105.2	2	nut m 8 p.1.25
14	2.0332.405.3	4	screw m 6 p.1 x 14
15	0.016.4684.3	1	plate
16	0.136.7387.0	1	rubber plug
17	2.1419.042.0	1	circlip 18
18	0.257.6757.0	2	spring
19	0.014.9051.0	1	rod
32	0.014.9048.0/10	1	rod
33	2.1011.106.2	1	nut m 10 p.1.5
34	0.467.6663.2	1	sleeve m 10 p 1.5x70
35	2.1019.018.2	1	special nut
36	0.014.7894.3/10	1	bracket
37	2.0112.307.2	1	screw m 10 p.1.5 x 20
38	2.1470.006.2	1	lock washer 10
39	2.0342.405.6	1	screw m 10 p 1.5 x 20

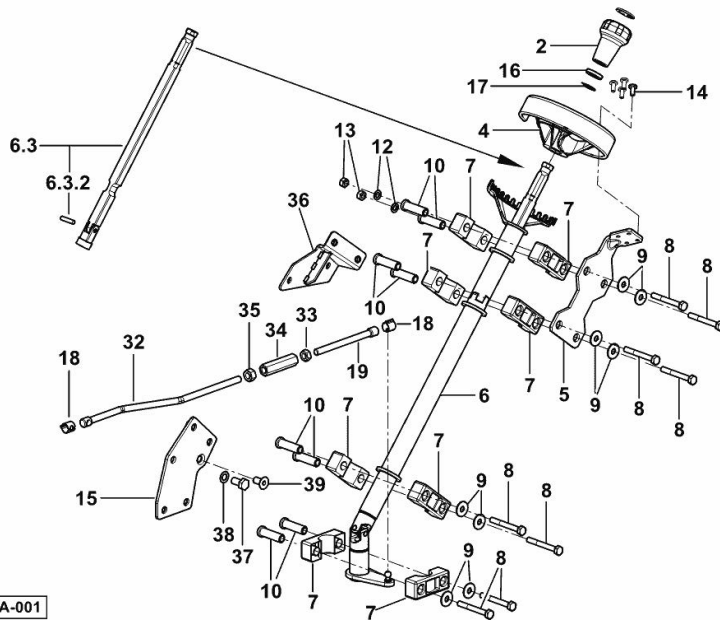
S.A.C. GROUND CONTROL

Fig.	P/n	QTY	Name
------	-----	-----	------

Notes:

- FOR MODELS WITH CAB - EXPORT U.S.A. [Agrofarm 410 2WD -> 16001] - FOR MODELS WITH CAB - EXPORT U.S.A. [Agrofarm 410 4WD -> 16001]

2	0.257.6413.0	1	grip
4	0.016.3382.0/20	1	cover
5	0.016.3317.0/10	1	bracket
6	0.016.3329.4/10	1	control
6.3	0.016.3332.4	1	lever
6.3.2	2.1630.608.0	1	pin 6x16
7	0.008.2619.0/10	8	small block
8	2.0112.222.2	8	screw m 8 p.1.25x65
9	2.1312.004.2	8	washer 8x24x2
10	2.1559.237.2	8	bush
12	2.1470.004.2	2	lock washer 8
13	2.1011.105.2	2	nut m 8 p.1.25
14	2.0332.405.3	4	screw m 6 p.1 x 14
15	0.016.4684.3	1	plate
16	0.136.7387.0	1	rubber plug
17	2.1419.042.0	1	circlip 18
18	0.257.6757.0	2	spring
19	0.014.9051.0	1	rod
32	0.014.9048.0/10	1	rod
33	2.1011.106.2	1	nut m 10 p.1.5
34	0.467.6663.2	1	sleeve m 10 p 1.5x70
35	2.1019.018.2	1	special nut
36	0.015.6434.3	1	bracket
37	2.0112.307.2	1	screw m 10 p.1.5 x 20
38	2.1470.006.2	1	lock washer 10
39	2.0342.405.6	1	screw m 10 p 1.5 x 20



9_L1559_70_0-A-001

S.A.C. GROUND CONTROL

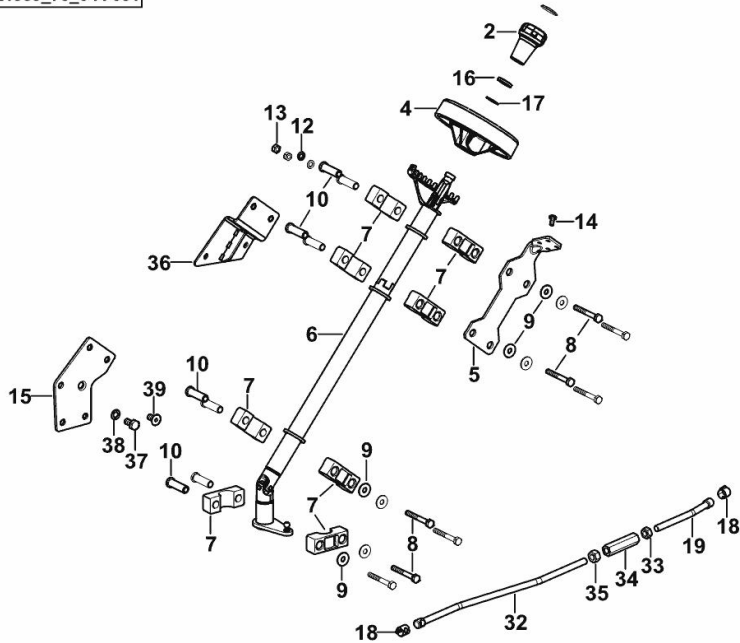
Fig.	P/n	QTY	Name
------	-----	-----	------

Notes:

- FOR TYPES WITH PLATFORM - EXPORT U.S.A. [Agrofarm 410 2WD -> 16001] - FOR TYPES WITH PLATFORM - EXPORT U.S.A. [Agrofarm 410 4WD -> 16001]

2	0.257.6413.0	1	grip
4	0.016.3382.0/20	1	cover
5	0.016.6401.0	1	bracket
6	0.016.6400.4	1	hydraulic lift controls
7	0.008.2619.0/10	8	small block
8	2.0112.222.2	8	screw m 8 p.1.25x65
9	2.1312.004.2	8	washer 8x24x2
10	2.1559.237.2	8	bush
12	2.1470.004.2	2	lock washer 8
13	2.1011.105.2	2	nut m 8 p.1.25
14	2.0332.405.3	4	screw m 6 p.1 x 14
15	0.016.4675.3	1	plate
16	0.136.7387.0	1	rubber plug
17	2.1419.042.0	1	circlip 18
18	0.257.6757.0	2	spring
19	0.015.0629.0	1	rod
32	0.015.0600.0	1	rod
33	2.1011.106.2	1	nut m 10 p.1.5
34	0.467.6663.2	1	sleeve m 10 p 1.5x70
35	2.1019.018.2	1	special nut
36	0.015.0621.3/10	1	bracket
37	2.0112.307.2	1	screw m 10 p.1.5 x 20
38	2.1470.006.2	1	lock washer 10
39	2.0342.405.6	1	screw m 10 p 1.5 x 20

9_L1959_70_0-A-001

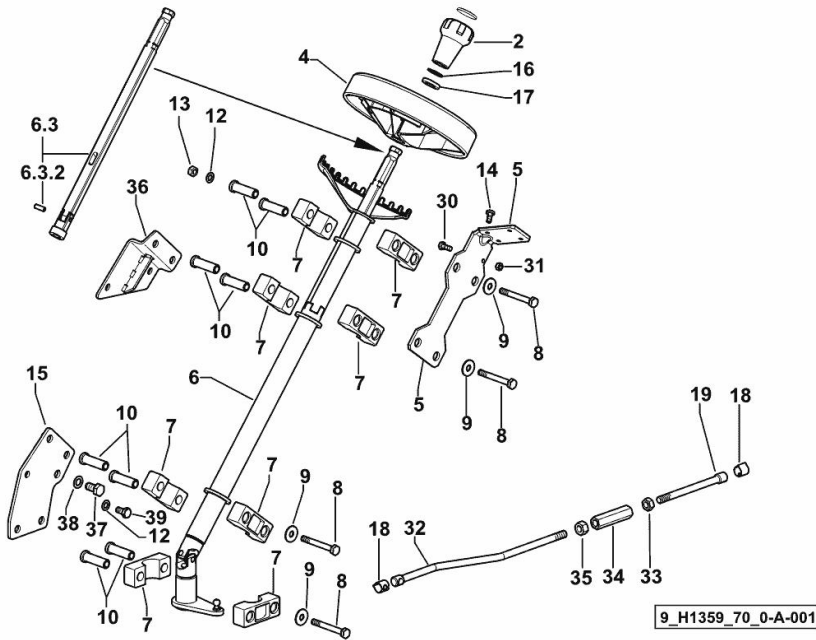


S.A.C. GROUND CONTROL

Fig.	P/n	QTY	Name
------	-----	-----	------

Notes:

- FOR MODELS WITH CAB [Agrofarm 410 2WD -> 16001] - FOR MODELS WITH CAB [Agrofarm 410 4WD -> 16001]



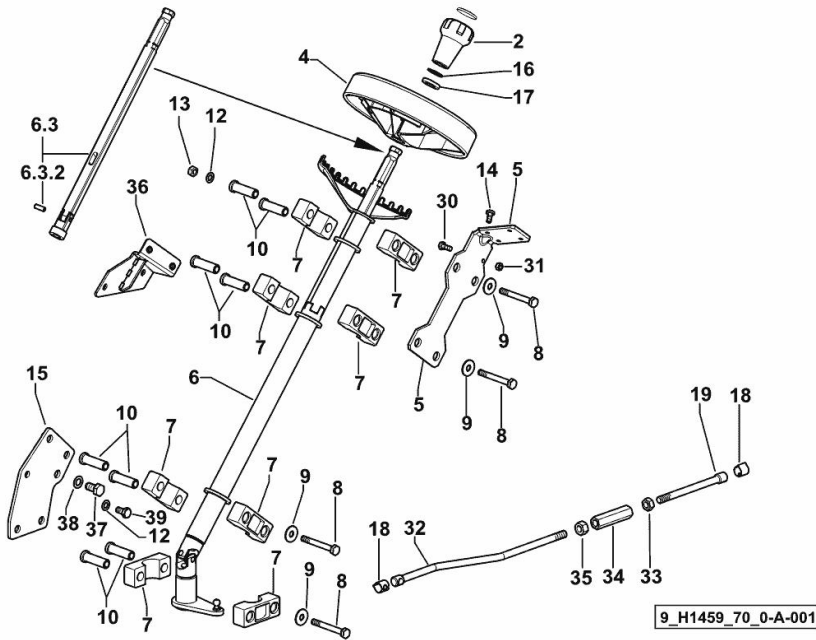
2	0.257.6413.0	1	grip
4	0.011.7454.0/10	1	cover
5	0.014.3186.0	1	plate
6	0.014.5550.4	1	hydraulic lift controls
6.3	0.011.7416.4	1	lever
6.3.2	2.1630.608.0	1	pin 6x16
7	0.008.2619.0/10	8	small block
8	2.0112.222.2	8	screw m 8 p.1.25x65
9	2.1312.004.2	8	washer 8x24x2
10	2.1559.237.2	8	bush
12	2.1470.004.2	5	lock washer 8
13	2.1011.105.2	6	nut m 8 p.1.25
14	2.0332.405.3	4	screw m 6 p.1 x 14
15	0.014.7887.3	1	bracket
16	0.136.7387.0	1	rubber plug
17	2.1419.042.0	1	circlip 18
18	0.257.6757.0	2	spring
19	0.014.9051.0	1	rod
30	2.0112.005.2	1	screw m 6 p.1 x 16
31	2.1011.103.2	1	nut m 6 p.1
32	0.014.9048.0/10	1	rod
33	2.1011.106.2	1	nut m 10 p.1.5
34	0.467.6663.2	1	sleeve m 10 p 1.5x70
35	2.1019.018.2	1	special nut
36	0.014.7894.3	1	bracket
37	2.0122.357.2	1	screw m 10 p.1.25 x 20
38	2.1470.006.2	1	lock washer 10
39	2.0112.205.2	1	screw m 8 p.1.25 x 16

S.A.C. GROUND CONTROL

Fig.	P/n	QTY	Name
------	-----	-----	------

Notes:

- FOR MODELS WITH CAB - EXPORT U.S.A. [Agrofarm 410 2WD -> 16001] - FOR MODELS WITH CAB - EXPORT U.S.A. [Agrofarm 410 4WD -> 16001]



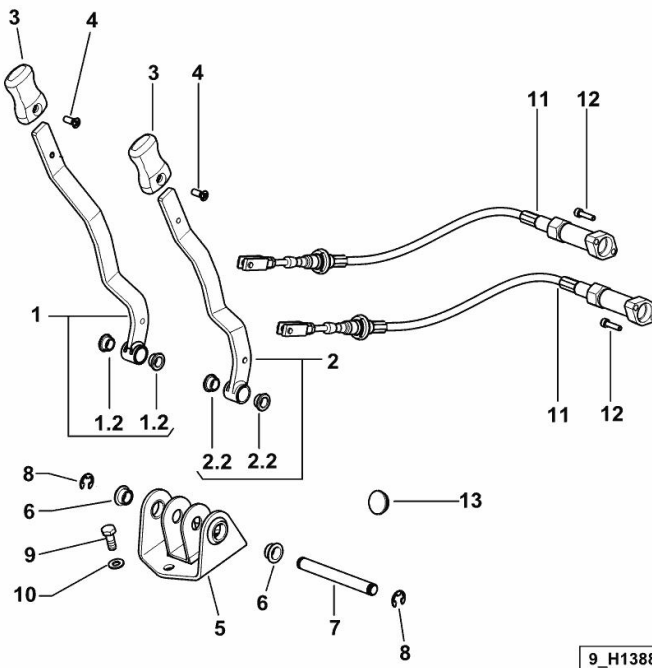
2	0.257.6413.0	1	grip
4	0.011.7454.0/10	1	cover
5	0.014.3186.0	1	plate
6	0.014.5550.4	1	hydraulic lift controls
6.3	0.011.7416.4	1	lever
6.3.2	2.1630.608.0	1	pin 6x16
7	0.008.2619.0/10	8	small block
8	2.0112.222.2	8	screw m 8 p.1.25x65
9	2.1312.004.2	8	washer 8x24x2
10	2.1559.237.2	8	bush
12	2.1470.004.2	5	lock washer 8
13	2.1011.105.2	6	nut m 8 p.1.25
14	2.0332.405.3	4	screw m 6 p.1 x 14
15	0.014.7887.3	1	bracket
16	0.136.7387.0	1	rubber plug
17	2.1419.042.0	1	circlip 18
18	0.257.6757.0	2	spring
19	0.014.9051.0	1	rod
30	2.0112.005.2	1	screw m 6 p.1 x 16
31	2.1011.103.2	1	nut m 6 p.1
32	0.014.9048.0/10	1	rod
33	2.1011.106.2	1	nut m 10 p.1.5
34	0.467.6663.2	1	sleeve m 10 p 1.5x70
35	2.1019.018.2	1	special nut
36	0.015.6434.3	1	bracket
37	2.0122.357.2	1	screw m 10 p.1.25 x 20
38	2.1470.006.2	1	lock washer 10
39	2.0112.205.2	1	screw m 8 p.1.25 x 16

DISTRIBUTOR CONTROL

Fig.	P/n	QTY	Name
------	-----	-----	------

Notes:

- FOR TYPES WITH 6-WAY AUXILIARY CONTROL VALVE [Agrofarm 410 2WD-> 16001] - FOR TYPES WITH 6-WAY AUXILIARY CONTROL VALVE [Agrofarm 410 4WD-> 16001] - FOR TYPES WITH 4-WAY AUXILIARY SERVICES CONTROL VALVE [Agrofarm 410 2WD-> 16001] - FOR TYPES WITH 4-WAY AUXILIARY SERVICES CONTROL VALVE [Agrofarm 410 4WD-> 16001]



9_H1388_18_0-A-001

1	0.014.8640.3/10	1	lever
1.2	2.1559.415.0	2	special bushing
2	0.014.8641.3/10	1	lever
2.2	2.1559.415.0	2	special bushing
3	0.010.5315.0	2	knob
4	2.0322.406.6	2	screw m 6 p.1.0 x 16
5	0.014.9335.2/20	1	supporting piece
6	2.1559.415.0	2	special bushing
7	0.014.8699.0/10	1	pin
8	2.1430.010.7	2	circlip 9
9	2.0112.207.2	2	screw m 8 p 1.25 x 20 (-> 5629)
10	2.1310.004.2	2	flat washer 8.4x17 (-> 5629)
11	0.014.9156.4	2	rod
			☞ 0.014.9156.4
12	2.0312.006.2	4	screw m 5 p.0.8 x 20
13	0.9200.178.0	1	plug

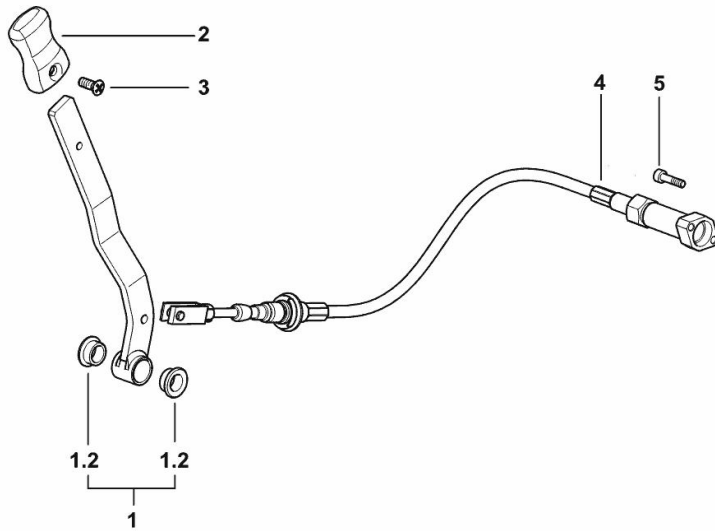
6 WAY SPOOL VALVES CONTROL

Fig.	P/n	QTY	Name
------	-----	-----	------

Notes:

[Agrofarm 410 2WD -> 16001] [Agrofarm 410 4WD -> 16001]

1	0.014.8642.3/10	1	lever
1.2	2.1559.415.0	2	special bushing
2	0.010.5315.0	1	knob
3	2.0322.406.6	1	screw m 6 p.1.0 x 16
4	0.014.9156.4	1	rod
			☞ 0.014.9156.4
5	2.0312.006.2	2	screw m 5 p.0.8 x 20



9_H1388_28_0-A-001

Buy Now



Our support email:

ebooklibonline@outlook.com