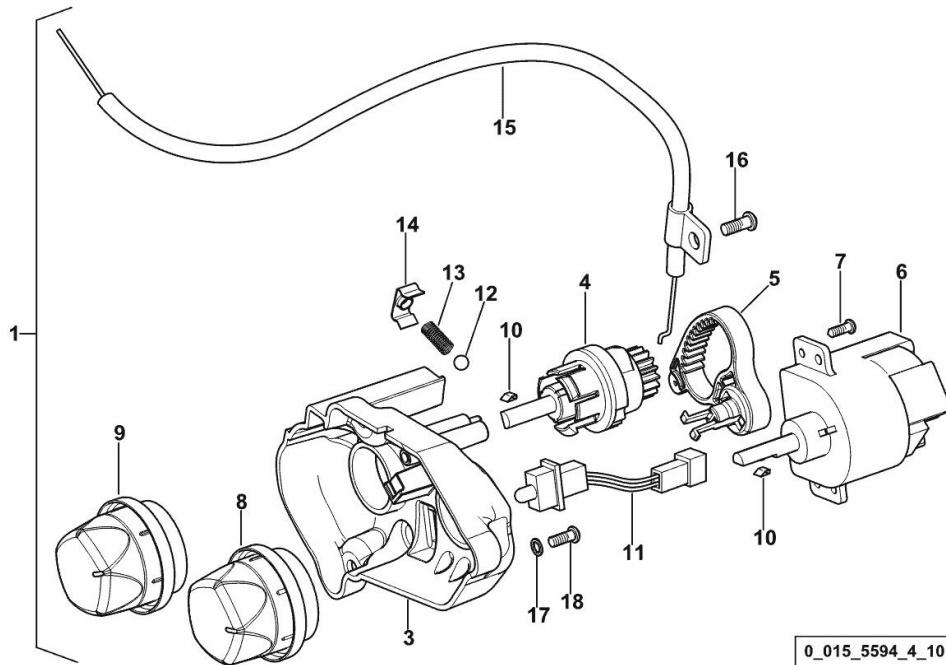


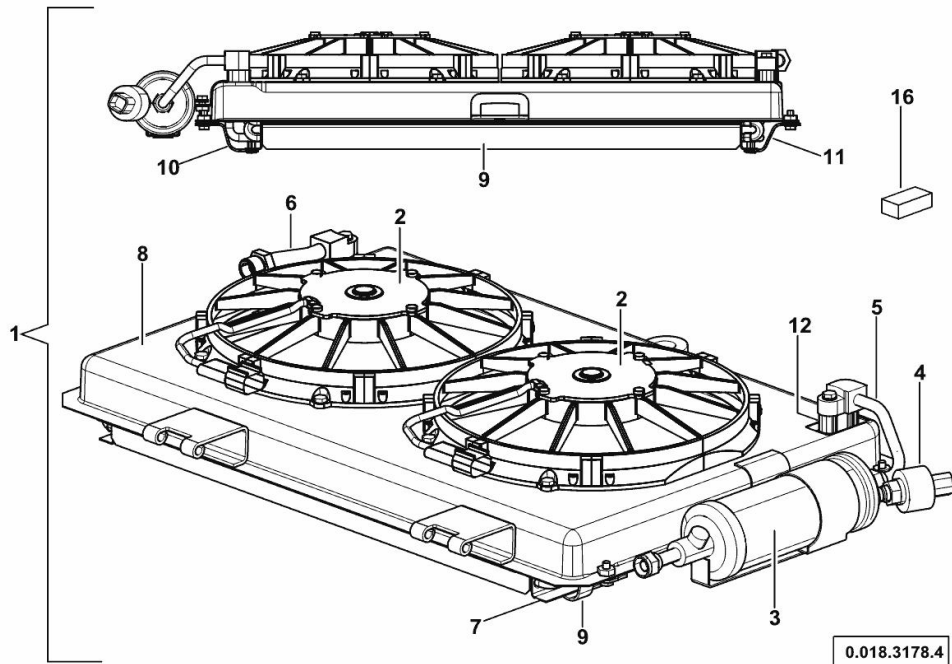
HEATING CONTROL

Fig.	P/n	QTY	Name
1	0.000.0000.1		cannot be supplied
3	0.015.6240.0	1	support
4	0.900.0032.9	1	pin
5	0.900.0033.3	1	lever
6	0.900.1370.2	1	control
7	0.010.2529.2	2	screw m 3x10
8	0.900.1370.3	1	knob
9	0.900.1369.5	1	knob
10	0.900.1369.6	2	clip
11	0.900.1369.7	1	lamp
12	0.900.1369.8	1	ball
13	0.900.1369.9	1	spring
14	0.900.0033.2	1	stop
15	0.900.1370.0	1	rod
16	0.900.0033.5	1	screw 5x10
17	2.1310.028.2	3	flat washer
18	2.0332.203.2	3	screw m 4 x 10



CONDENSER

Fig.	P/n	QTY	Name
1	0.018.3178.4	1	condenser
2	0.900.1419.2	2	fan
3	0.010.2261.0	1	filter R 134a
4	0.010.2262.0	1	pressure switch
5	0.010.2546.1	1	tube
6	0.900.0062.0	1	tube
7	0.900.1580.8	1	condenser
8	0.900.1583.5	1	duct
9	0.900.1581.0	1	bracket
10	0.900.1581.1	1	bracket
11	0.900.1581.2	2	bracket
12	0.900.1583.6	2	gasket



CLIMATE CONTROL SYSTEM

0.018.3271.4

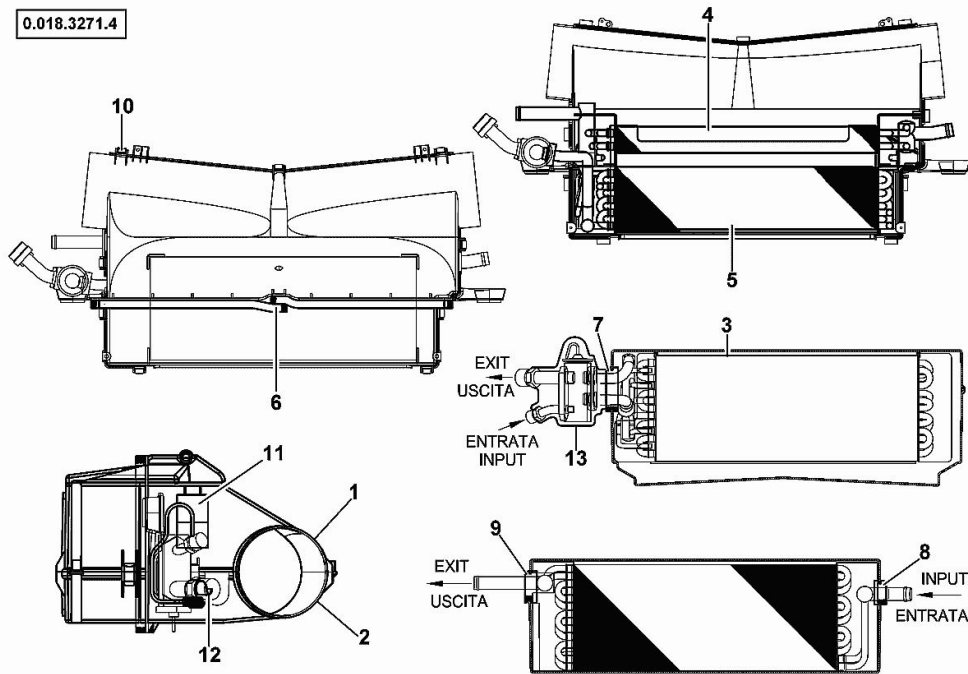
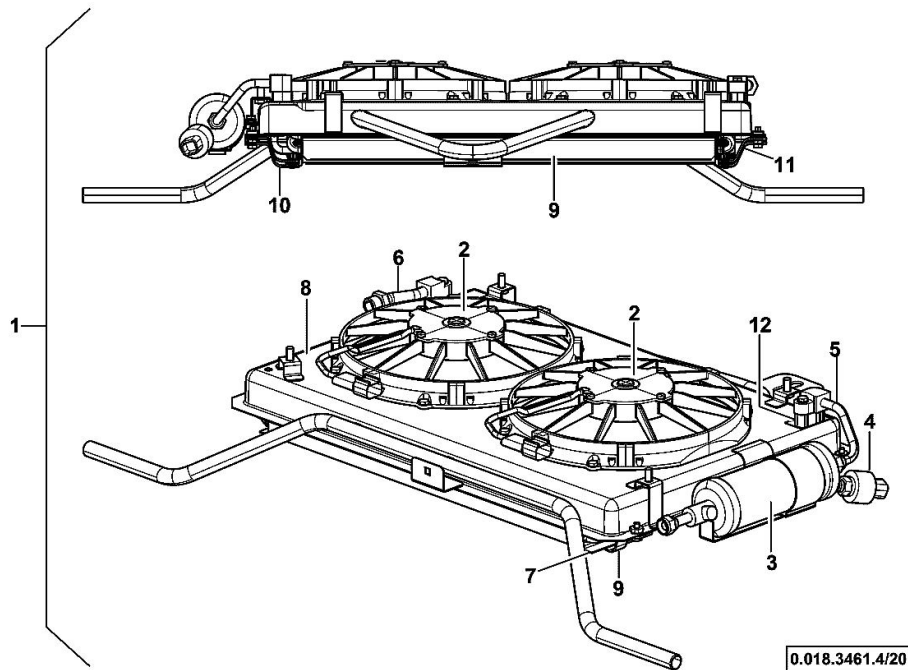


Fig.	P/n	QTY	Name
1	0.900.2019.8	1	box UPPER
2	0.010.2551.1	1	box
3	0.900.2019.7	1	radiator - EVAPORATOR
4	0.010.2552.0	1	radiator
5	0.010.2552.1	1	division
6	0.010.2553.0	1	gasket
7	0.010.2559.1	1	gasket - EVAPORATOR
8	0.010.2553.1	1	gasket
9	0.900.0061.7	1	gasket
10	0.010.2541.2	9	clip
11	0.010.2522.0	1	switch
12	0.010.2559.2	1	clip
13	0.900.2019.9	1	band

CONDENSER

Fig.	P/n	QTY	Name
1	0.018.3461.4/20	1	condenser
2	0.900.1419.2	2	fan
3	0.010.2261.0	1	filter R 134a
4	0.010.2262.0	1	pressure switch
5	0.010.2546.1	1	tube
6	0.900.0062.0	1	tube
7	0.900.1580.8	1	condenser
8	0.900.2236.2	1	duct
9	0.900.1581.0	1	bracket
10	0.900.1581.1	1	bracket
11	0.900.1581.2	2	bracket



COMPRESSOR-PARTS

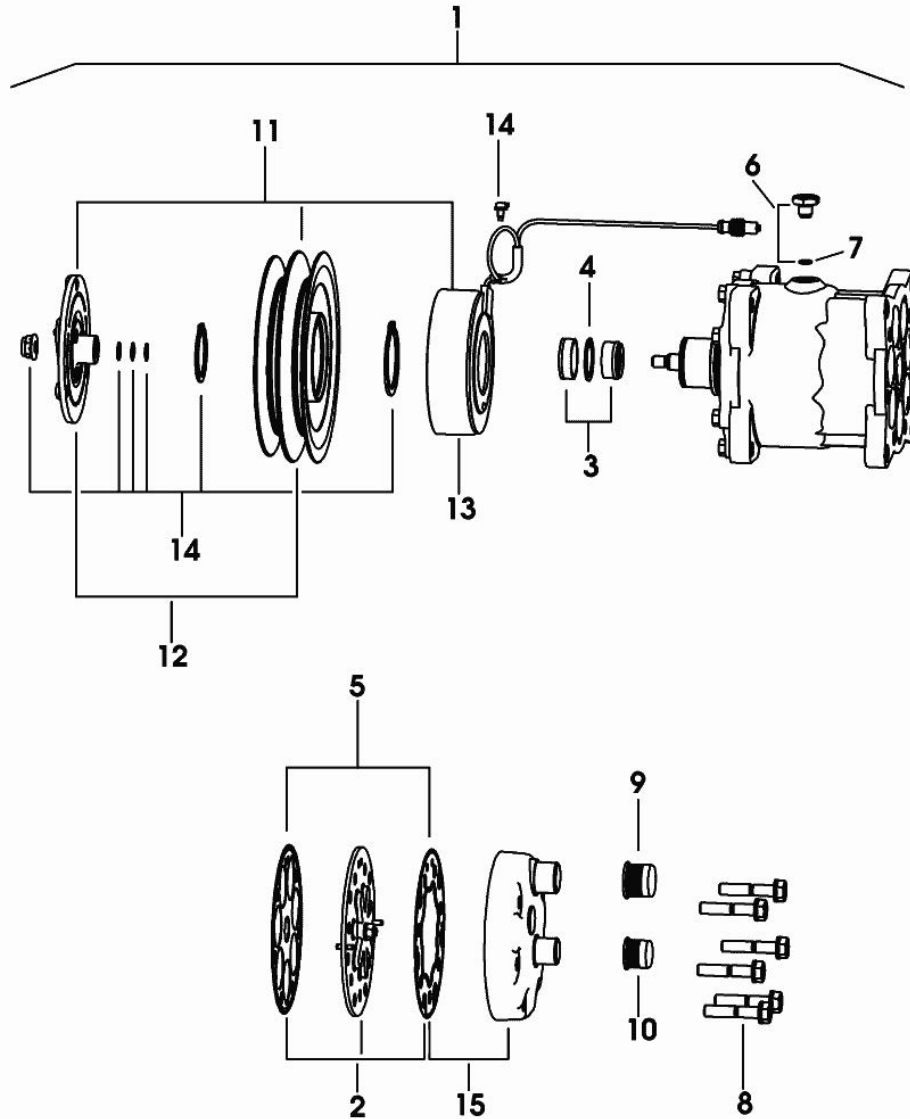


Fig.	P/n	QTY	Name
1	04437338	1	compressor R 134a
2	0.010.3628.0	1	valve
3	0.010.3628.1	1	gasket set
4	0.010.2132.0	1	circlip
5	0.010.3628.2	1	gasket set
6	0.010.3629.0	1	plug
7	0.010.3629.1	1	special oil seal
8	0.010.2133.0	6	screw
9	0.010.3629.2	1	plug
10	0.010.3630.0	1	plug
11	0.010.3630.1	1	pulley
12	0.010.3630.2	1	pulley
13	0.010.3631.0	1	electromagnet
14	0.010.3631.1	1	sub-assy parts
15	0.010.3627.2	1	head

04437338

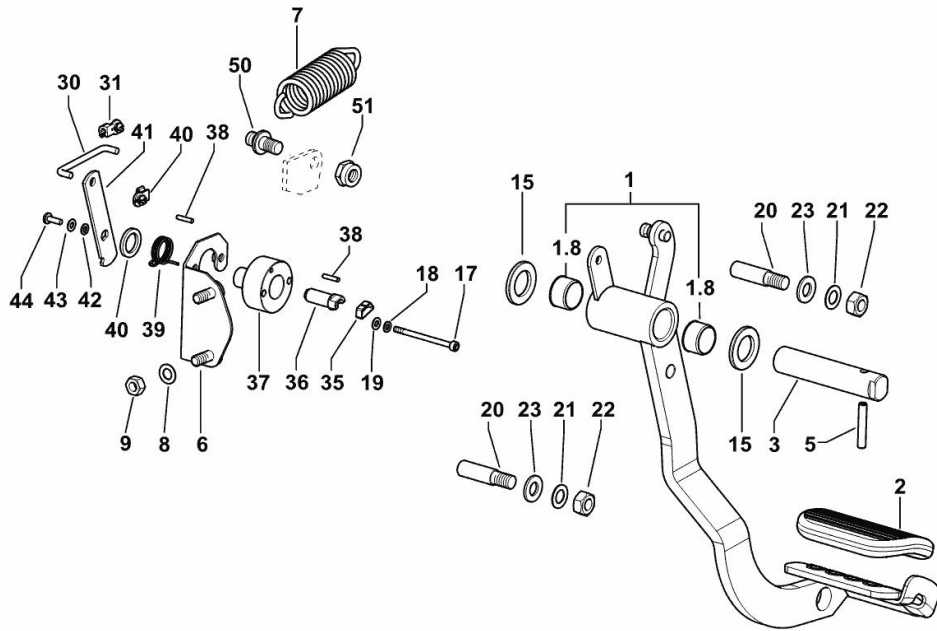
CLUTCH CONTROL

Fig.	P/n	QTY	Name
------	-----	-----	------

Notes:

[Agrofarm 410 -> 20001]

1	0.015.6238.3/10	1	pedal
1.8	2.1555.211.0	2	bushing 20x23x15
2	0.169.6557.0	1	cover
3	2.1699.404.2/10	1	pin
5	2.1630.614.0	1	roll pin 6x36
6	0.011.8652.3	1	bracket
7	2.4049.242.2	1	spring
8	2.1470.004.2	2	lock washer 8
9	2.1011.105.2	2	nut m 8 p.1.25
15	2.1311.012.2	2	flat washer 20
17	2.0312.717.2	2	screw m 4 p.0.4 x 55
18	2.1470.052.2	2	lock washer 4
19	2.1310.028.2	2	flat washer
20	0.011.0860.0	2	pin
21	2.1470.006.2	1	lock washer 10
22	2.1011.106.2	1	nut m 10 p.1.5
23	2.1310.006.2	1	flat washer 10.5x21
30	0.011.8646.0	1	rod
31	0.009.1165.0	2	spring
35	0.011.3791.0	1	clip
36	2.1699.520.2	1	pin
37	0.019.0464.0/10	1	bushing
38	2.1651.206.2	2	pin 3x14
39	2.4099.124.2	1	spring
40	2.1549.436.2	1	spacer
41	0.011.8647.0	1	lever
42	2.1310.028.2	1	flat washer
43	2.1470.052.2	1	lock washer 4
44	2.0332.204.3	1	screw m 4 p.0.7 x 12
50	0.015.4446.0/10	1	pin
51	2.1120.106.2	1	self-locking nut m 10 p.1.25



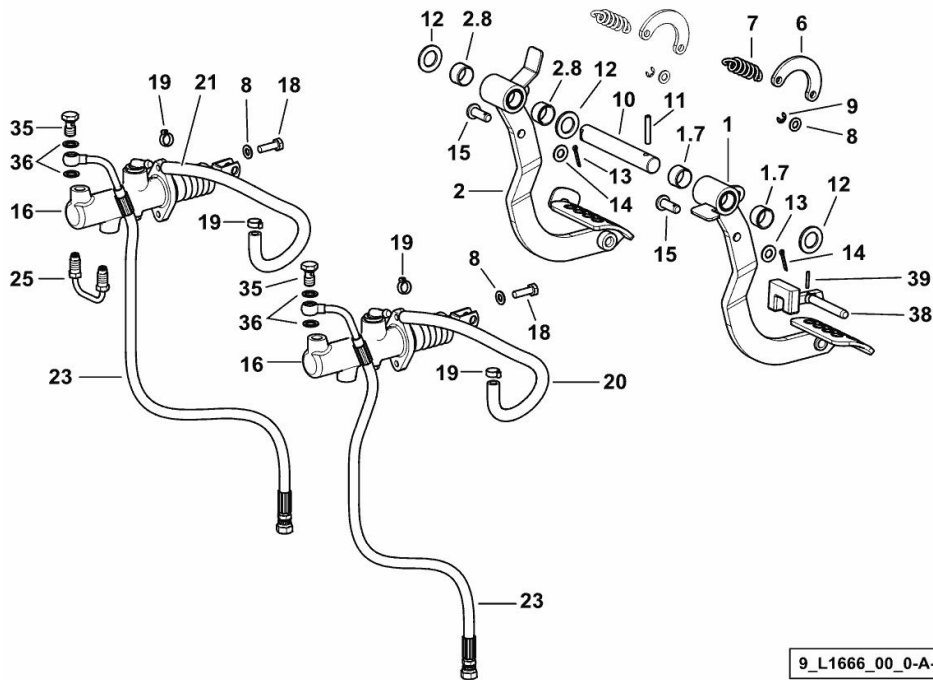
9_J1565_01_0-A-001

BRAKE CONTROLS

Fig.	P/n	QTY	Name
------	-----	-----	------

Notes:

[Agrofarm 410 -> 20001] 20745 <-



9_L1666_00_0-A-001

1	0.015.4435.3/10	1	pedal sx/lh/li
1.7	2.1555.211.0	2	bushing 20x23x15
2	0.015.4432.3/10	1	pedal dx/rh/re
2.8	2.1555.211.0	2	bushing 20x23x15
6	0.009.3951.0/10	2	link
7	2.4049.200.2/30	2	spring
8	2.1310.004.2	6	flat washer 8.4x17
9	2.1430.007.2	2	circlip 6
10	2.1699.406.2	1	pin
11	2.1630.614.0	1	roll pin 6x36
12	2.1311.012.2	3	flat washer 20
13	2.1310.006.2	2	flat washer 10.5x21
14	2.1690.308.2	2	split pin A3x20
15	2.1671.407.2	2	pin 10 x 28
16	0.015.6513.4	2	brake pump ☞ 0.015.6513.4
18	2.0112.209.2	4	screw m 8 p 1.25 x 25
19	2.6857.019.0	4	clamp 14
20	0.012.6343.0	0.44	tube
21	0.012.6343.0	0.44	tube
23	0.010.0339.3	2	tube
25	0.255.6660.3/10	1	tube
35	2.3339.431.2/10	2	pipe union m 12 p.1.25x21
36	2.1560.008.0	4	gasket 12.2 x 18
38	0.010.7310.3/40	1	bracket
39	2.1630.210.9	1	pin 3 x 20

Buy Now



Our support email:

ebooklibonline@outlook.com