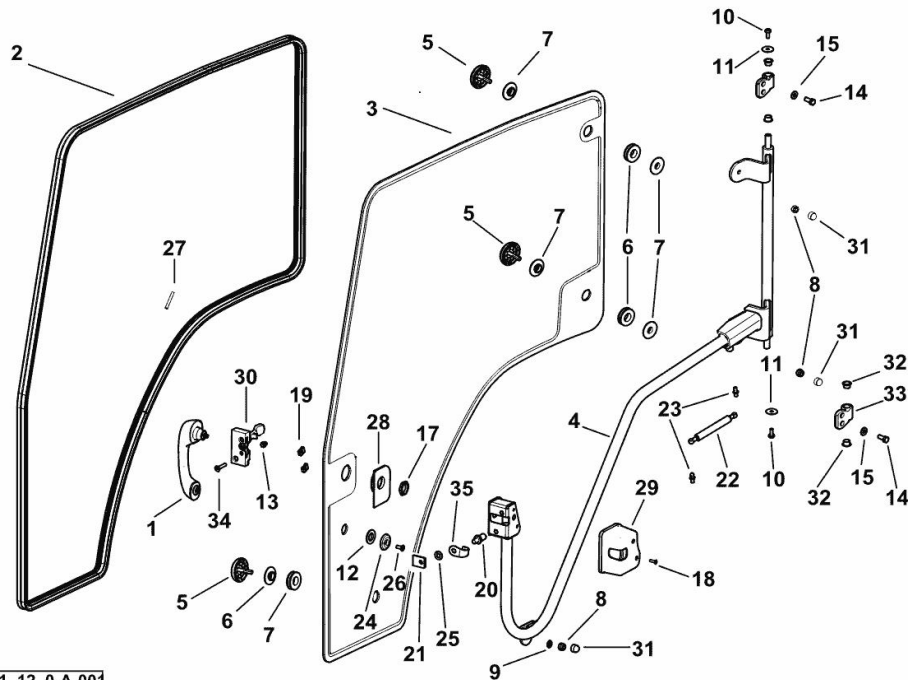


CAB DOOR DX / RH / RE

Fig.	P/n	QTY	Name
------	-----	-----	------

Notes:

[AGROFARM 410 -> ZKDW470200TD30001]



9_R8571_12_0-A-001

1	0.015.5535.4/20	1	handle
2	0.015.4666.0	4.73	gasket
3	0.016.8682.0	1	glass dx/rh/re
4	0.016.8726.3	1	chassis frame dx/rh/re
5	0.012.6601.2	3	plug
6	2.6569.073.0	3	rubber plug
7	0.016.6279.0	6	washer
8	2.1011.106.2	3	nut m 10 p.1.5
9	2.1474.010.2	3	washer 10
10	2.0330.507.2	2	screw m 8 p.1.25 x 20
11	2.1599.245.0	2	shoulder ring
12	0.012.6178.0/10	1	gasket
13	0.012.9034.0	2	insert m 8
14	2.0112.309.2	4	screw m 10 p.1.5 x 25
15	2.1599.560.2	4	washer 10.5x22x3
17	04416537	1	nut m 28 x 1
18	2.0342.205.3	2	screw m 6 p.1 x 20
19	2.6999.064.6	2	special nut m 6
20	0.012.8716.0	1	pin
21	0.015.5537.0/10	1	small plate
22	0.009.7738.4/10	1	shock absorber
23	04399070	2	ball joint
24	0.012.6177.0	1	washer
25	2.1310.007.2	1	flat washer 13 x 24
26	2.0342.305.3	1	screw m 8 x 20
27	04418372	0.05	sealing section
28	0.015.6255.0	1	gasket
29	0.015.5533.0/20	1	cover dx/rh/re
30	0.015.6187.4/10	1	lock dx/rh/re
31	0.166.7868.0	3	cap
32	2.2841.071.0	4	bushing 16x18x12
33	0.015.5340.0/10	2	support
34	2.0342.310.3	2	screw m 8 p.1.25 x 40
35	0.012.8678.0	1	bracket

CAB DOOR - SX/LH/LI

9_R8571_13_0-A-001

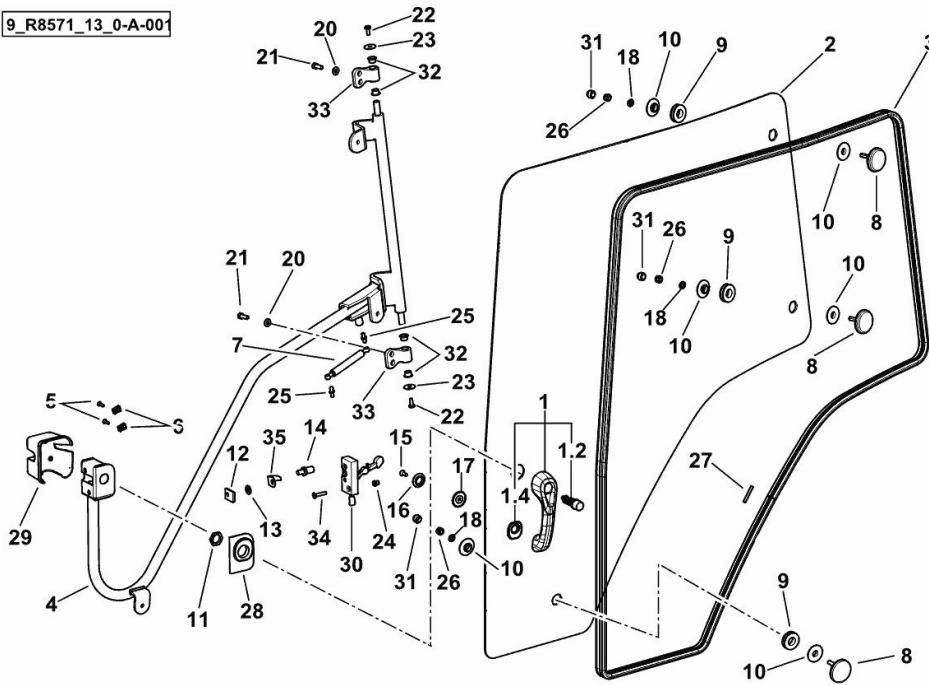


Fig.	P/n	QTY	Name
------	-----	-----	------

Notes:

[AGROFARM 410 -> ZKDW470200TD30001]

1	0.015.5535.4/20	1	handle
1.2	0.012.8679.0	1	push-button
1.4	0.013.1333.0/10	1	gasket
2	0.016.8743.0	1	glass
3	0.015.4666.0	4.73	gasket
4	0.016.8791.3	1	chassis frame
5	2.0342.205.3	2	screw m 6 p.1 x 20
6	2.6999.064.6	2	special nut m 6
7	0.009.7738.4/10	1	shock absorber
8	0.012.6601.2	3	plug
9	2.6569.073.0	3	rubber plug
10	0.016.6279.0	6	washer
11	04416537	1	nut m 28 x 1
12	0.015.5537.0/10	1	small plate
13	2.1310.007.2	1	flat washer 13 x 24
14	0.012.8716.0	1	pin
15	2.0342.305.3	1	screw m 8 x 20
16	0.012.6178.0/10	1	gasket
17	0.012.6177.0	1	washer
18	2.1474.010.2	3	washer 10
20	2.1599.560.2	4	washer 10.5x22x3
21	2.0112.309.2	4	screw m 10 p.1.5 x 25
22	2.0330.507.2	2	screw m 8 p.1.25 x 20
23	2.1599.245.0	2	shoulder ring
24	0.012.9034.0	2	insert m 8
25	04399070	2	ball joint
26	2.1011.106.2	3	nut m 10 p.1.5
27	04418372	0.05	sealing section
28	0.015.6427.0	1	gasket
29	0.015.5692.0/30	1	cover sx/lh/li
30	0.015.6609.4/20	1	lock sx/lh/li
31	0.166.7868.0	3	cap
32	2.2841.071.0	4	bushing 16x18x12
33	0.015.5340.0/10	2	support
34	2.0342.310.3	2	screw m 8 p.1.25 x 40
35	0.012.8678.0	1	bracket

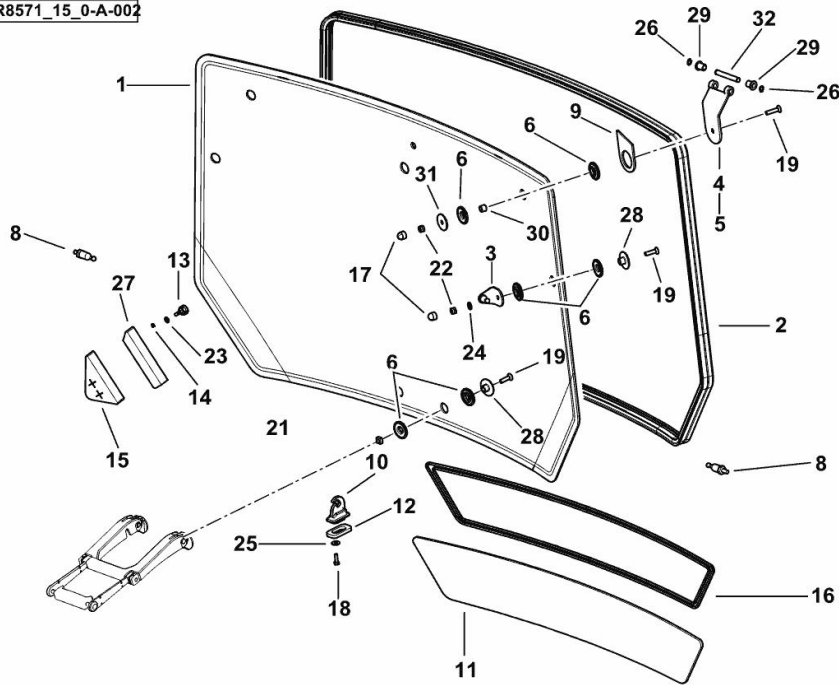
REAR WINDOW

Fig.	P/n	QTY	Name
------	-----	-----	------

Notes:

[AGROFARM 410 -> ZKDW470200TD30001]

9_R8571_15_0-A-002



1	0.016.8502.0/10	1	rear window
2	0.015.4666.0	3.78	gasket
3	0.007.6188.2	2	bracket
4	0.007.6647.2/10	1	hinge sx/lh/li
5	0.007.6648.2/10	1	hinge dx/rh/re
6	0.009.0422.0	12	gasket
8	04418838	2	ball joint
9	0.010.4358.0	2	gasket
10	0.011.0195.2/10	2	hook
11	0.011.0802.0/10	1	rear window
12	0.011.1312.0	2	small plate
13	0.011.3405.0	1	knob
14	0.011.3411.0	1	guard
15	0.011.3412.0	1	guard
16	0.011.3519.0	2	gasket mm 4x3x2000
17	0.163.7856.0	4	cap
18	2.0112.007.2	4	screw m 6 p.1 x 20
19	2.0349.002.3	6	screw m 8 p.1.25 x 30
21	2.1040.105.7	2	nut m 8
22	2.1120.105.2	4	self-locking nut m 8 p.1.25
23	2.1310.002.2	1	flat washer 6.4x12.5
24	2.1310.004.2	2	flat washer 8.4x17
25	2.1312.003.2	4	washer 6
26	2.1410.001.1	4	circlip 10
27	2.1430.005.7	1	circlip 4
28	2.1499.093.0/10	4	washer 8.5
29	2.1559.147.0	4	bushing
30	2.1549.454.2	2	spacer 9x14x11
31	2.1599.495.2	2	washer 8.5
32	2.1699.428.2	2	pin 9.6 x 71.5

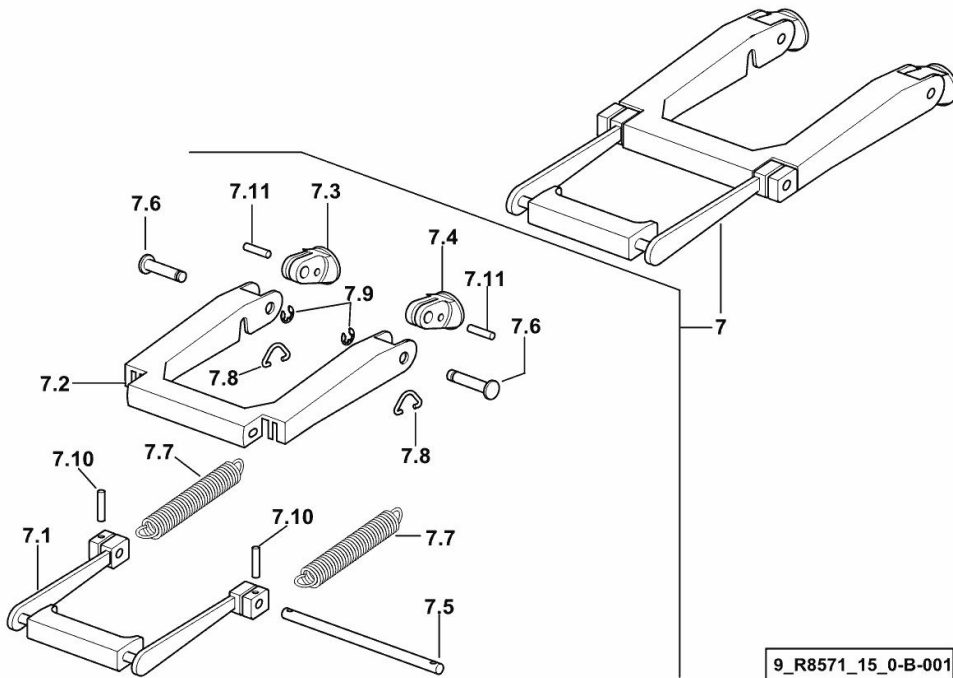
HANDLE REAR WINDOW

Fig.	P/n	QTY	Name
------	-----	-----	------

Notes:

[AGROFARM 410 -> ZKDW470200TD30001]

7	0.009.0711.4/30	1	handle
7.1	0.009.0710.3/10	1	grip
7.2	0.009.0712.0/10	1	handle
7.3	0.009.0713.0	1	support dx/rh/re
7.4	0.009.0705.0	1	support sx/lh/li
7.5	2.1669.041.2/10	1	pin 8 x 174 x 164
7.6	2.1699.240.2	2	pin 8 x 35
7.7	2.4049.170.2	2	spring
7.8	0.009.0689.0	2	hook
7.9	2.1430.007.7	2	circlip 6, d128
7.10	2.1630.210.9	2	pin 3 x 20
7.11	2.1650.309.0	2	pin 4 x 20



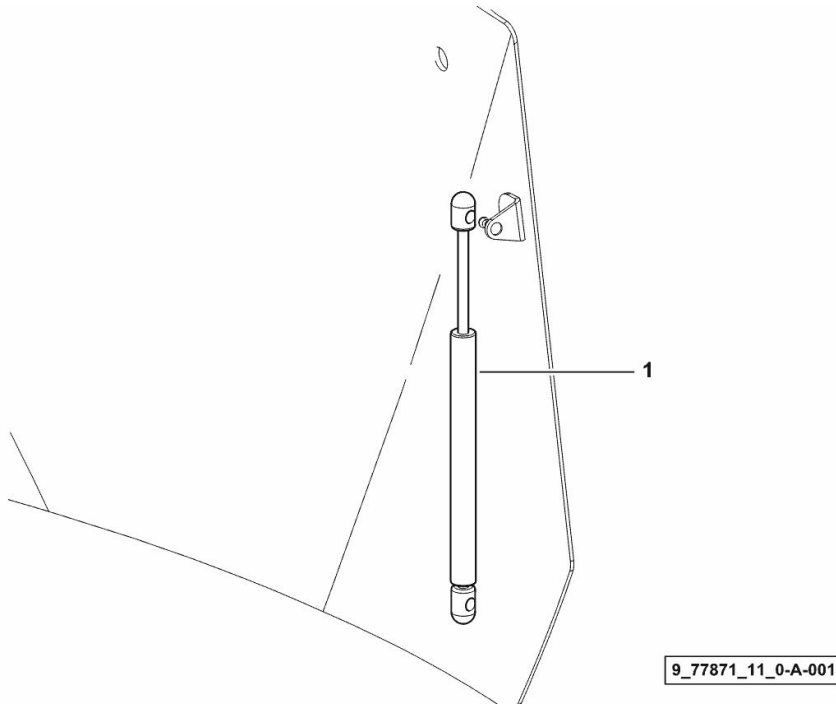
DAMPER FOR REAR WINDOW HATCH

Fig.	P/n	QTY	Name
------	-----	-----	------

Notes:

- FOR TYPES WITH CAB W/O "HIGH VISIBILITY" [AGROFARM 410 -> ZKDW470200TD30001]

1	0.009.8629.2	2	shock absorber mm 405.5
---	--------------	---	-------------------------



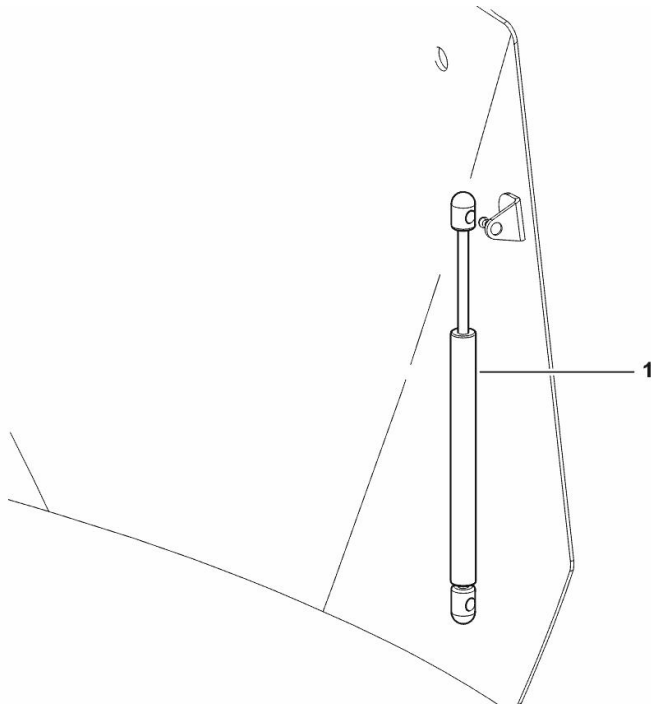
DAMPER FOR REAR WINDOW HATCH

Fig.	P/n	QTY	Name
------	-----	-----	------

Notes:

- FOR "HIGH VISIBILITY" CAB [AGROFARM 410 -> ZKDW470200TD30001]

1	0.010.6267.0	2	shock absorber
---	--------------	---	----------------

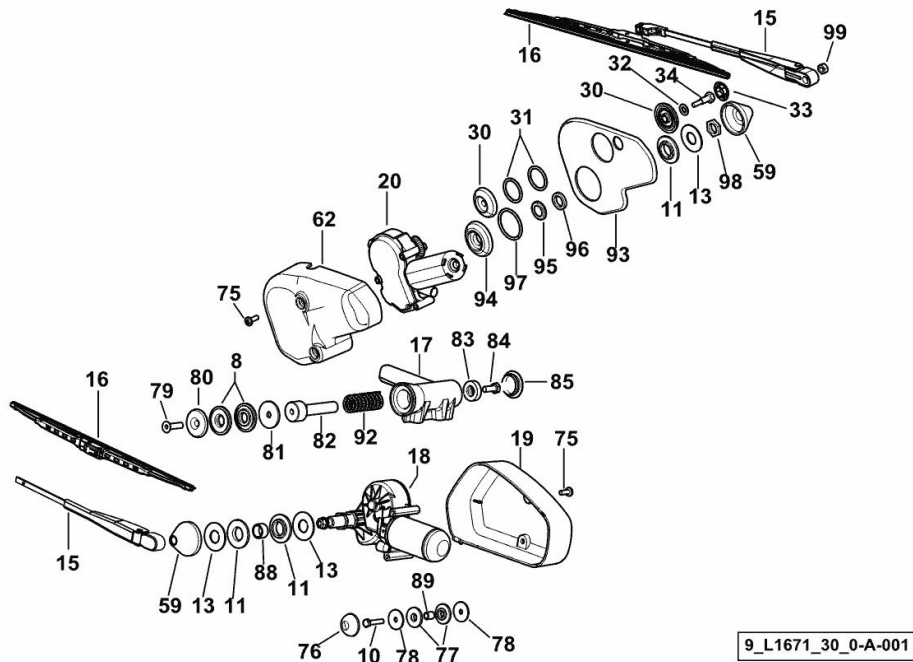


SCREEN WIPER FRONT / REAR

Fig.	P/n	QTY	Name
------	-----	-----	------

Notes:

- FOR VERSIONS WITH NON- "HIGH VISIBILITY" CABS WITH HEATING [AGROFARM 410 -> ZKDW470200TD30001]



8	0.009.0422.0	2	gasket
10	2.0112.011.2	1	screw m 6 p.1x30
11	2.1569.176.0	3	gasket 20x40x6
13	2.1599.528.2	3	washer 18x40x2
15	0.010.1825.0	2	rod
16	0.015.0560.3	2	wiper blade
17	0.011.6170.2/20	1	handle
18	2.9019.200.0/10	1	wiper motor
19	0.013.4596.0	1	hood
20	04413192	1	wiper motor
30	04411716	2	washer
31	2.1530.078.0	2	oil seal 29.74x3.53
32	2.1310.004.2	2	flat washer 8.4x17
33	04413809	1	screw
34	04413793	1	cap
59	0.010.4983.0	2	rubber plug
62	04412044	1	cover
75	2.0332.406.3	4	screw m 6 p.1.0 x 16
76	0.012.9760.0	1	tube
77	0.012.6609.0	2	rubber ring 28x16
78	2.1599.545.2	2	washer 6.5x28x2
79	2.0349.002.3	1	screw m 8 p.1.25 x 30
80	2.1499.093.0/10	1	washer 8.5
81	2.1599.495.2	1	washer 8.5
82	0.011.5986.4	1	pin
83	0.011.5989.0	1	block
84	2.0112.207.2	1	screw m 8 p 1.25 x 20
85	0.009.0210.0/10	5	plug 30 x 38 x 9.0
88	2.1549.566.2	1	spacer 16x20x11
89	2.1549.541.2	1	spacer 7x10x11
92	2.4019.517.1	1	spring
93	04414610	1	gasket
94	04413223	1	washer
95	04413208	1	bushing
96	04414586	1	spacer
97	2.1530.103.0	1	oil seal 39.69x3.53
98	2.1019.135.3	1	nut m16x1
99	2.1011.105.2	1	nut m 8 p.1.25

Buy Now



Our support email:

ebooklibonline@outlook.com