

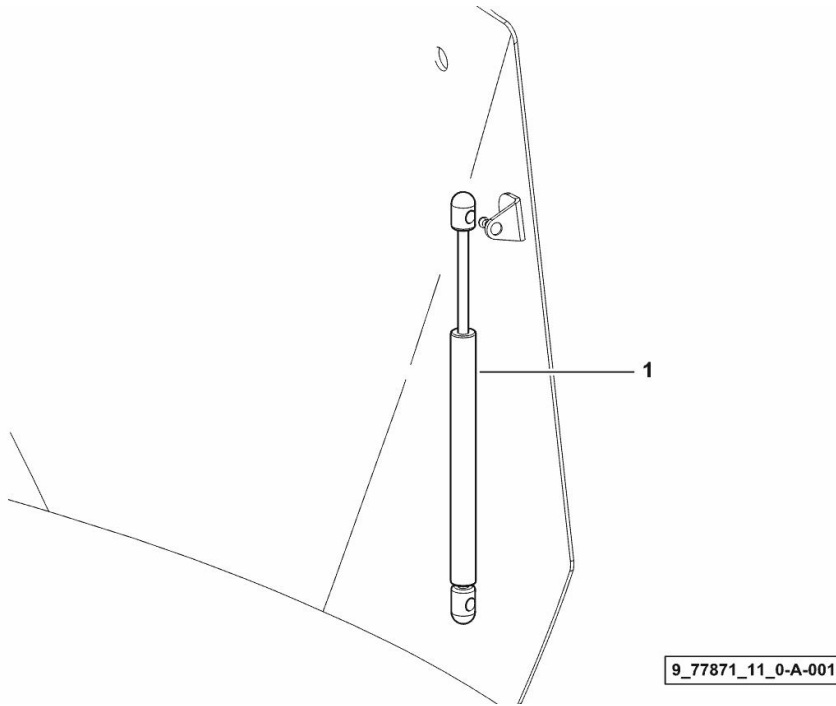
DAMPER FOR REAR WINDOW HATCH

Fig.	P/n	QTY	Name
------	-----	-----	------

Notes:

- FOR TYPES WITH CAB W/O "HIGH VISIBILITY" [Agrofarm 420 -> 16001]

1	0.009.8629.2	2	shock absorber mm 405.5
---	--------------	---	-------------------------



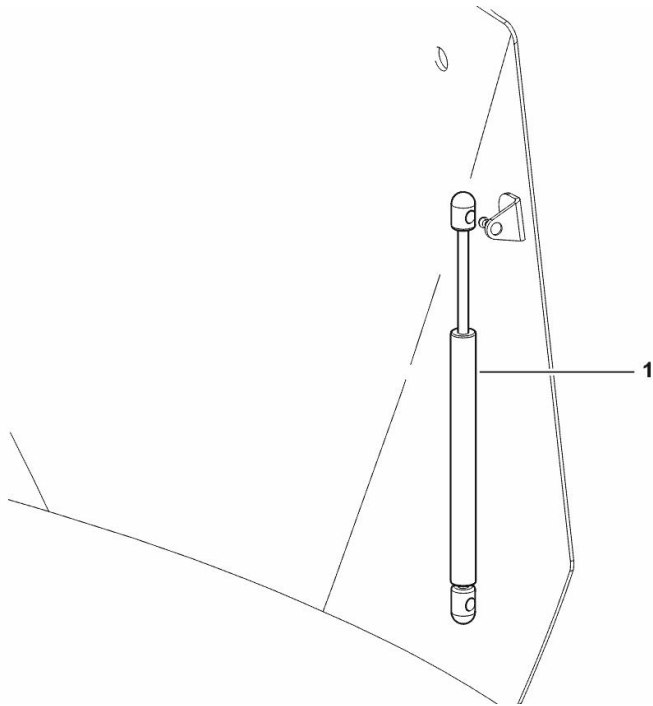
DAMPER FOR REAR WINDOW HATCH

Fig.	P/n	QTY	Name
------	-----	-----	------

Notes:

- FOR "HIGH VISIBILITY" CAB [Agrofarm 420 -> 16001]

1	0.010.6267.0	2	shock absorber
---	--------------	---	----------------



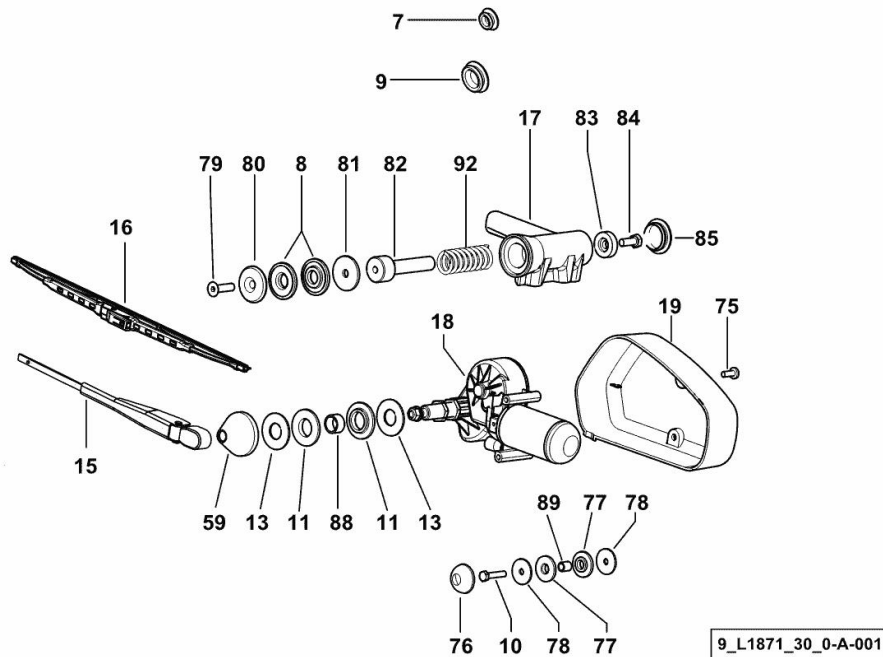
9_77871_12_0-A-001

SCREEN WIPER FRONT

Fig.	P/n	QTY	Name
------	-----	-----	------

Notes:

- FOR VERSIONS WITH NON- "HIGH VISIBILITY" CABS WITH HEATING AND AIR CONDITIONING
 [Agrofarm 420 -> 16001]-> 16872



7	0.013.9994.0	1	plug
8	0.009.0422.0	2	gasket
9	0.013.9990.0	1	plug
10	2.0112.011.2	1	screw m 6 p.1x30
11	2.1569.176.0	3	gasket 20x40x6
13	2.1599.528.2	2	washer 18x40x2
15	0.010.1825.0	1	rod
16	0.015.0560.3	1	wiper blade
17	0.011.6170.2/20	1	handle
18	2.9019.200.0/10	1	wiper motor
19	0.013.4596.0	1	hood
59	0.010.4983.0	1	rubber plug
75	2.0332.406.3	2	screw m 6 p.1.0 x 16
76	0.012.9760.0	1	tube
77	0.012.6609.0	2	rubber ring 28x16
78	2.1599.545.2	2	washer 6.5x28x2
79	2.0349.002.3	1	screw m 8 p.1.25 x 30
80	2.1499.093.0/10	1	washer 8.5
81	2.1599.495.2	1	washer 8.5
82	0.011.5986.4	1	pin
83	0.011.5989.0	1	block
84	2.0112.207.2	1	screw m 8 p 1.25 x 20
85	0.009.0210.0/10	5	plug 30 x 38 x 9.0
88	2.1549.566.2	1	spacer 16x20x11
89	2.1549.541.2	1	spacer 7x10x11
92	2.4019.517.1	1	spring

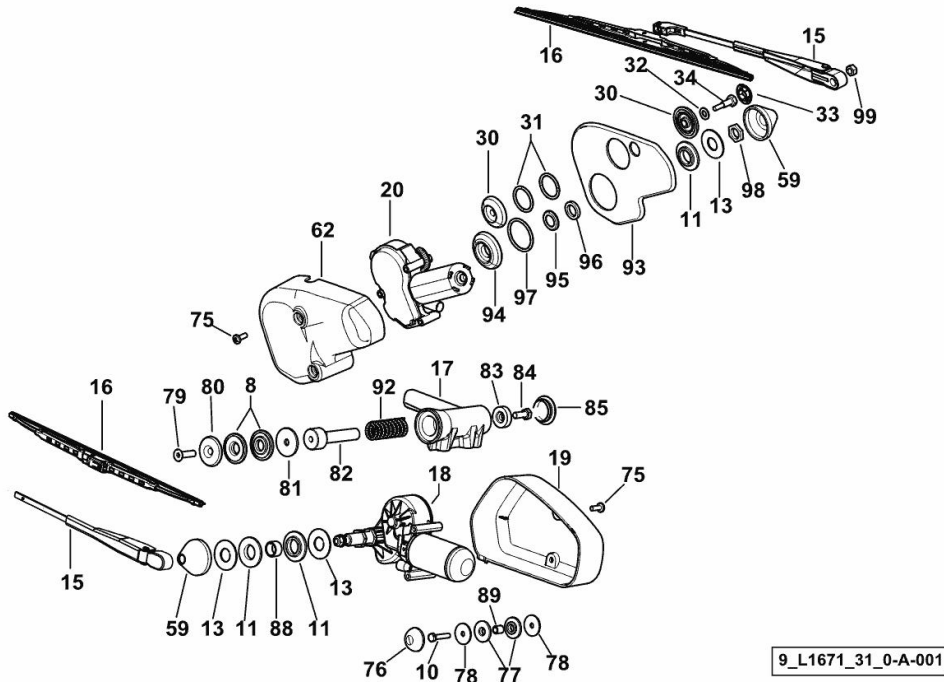
SCREEN WIPER FRONT / REAR

Fig.	P/n	QTY	Name
------	-----	-----	------

Notes:

- FOR "HIGH VISIBILITY" CAB [Agrofarm 420 -> 16001]

8	0.009.0422.0	2	gasket
10	2.0112.011.2	1	screw m 6 p.1x30
11	2.1569.176.0	3	gasket 20x40x6
13	2.1599.528.2	3	washer 18x40x2
15	0.010.1825.0	2	rod
16	0.015.0560.3	2	wiper blade
17	0.011.6170.2/20	1	handle
18	2.9019.200.0/10	1	wiper motor
19	0.013.4596.0	1	hood
20	04413192	1	wiper motor
30	04411716	2	washer
31	2.1530.078.0	2	oil seal 29.74x3.53
32	2.1310.004.2	2	flat washer 8.4x17
33	04413809	1	screw
34	04413793	1	cap
59	0.010.4983.0	2	rubber plug
62	04412044	1	cover
75	2.0332.406.3	4	screw m 6 p.1.0 x 16
76	0.012.9760.0	1	tube
77	0.012.6609.0	2	rubber ring 28x16
78	2.1599.545.2	2	washer 6.5x28x2
79	2.0349.002.3	1	screw m 8 p.1.25 x 30
80	2.1499.093.0/10	1	washer 8.5
81	2.1599.495.2	1	washer 8.5
82	0.011.5986.4	1	pin
83	0.011.5989.0	1	block
84	2.0112.207.2	1	screw m 8 p 1.25 x 20
85	0.009.0210.0/10	5	plug 30 x 38 x 9.0
88	2.1549.566.2	1	spacer 16x20x11
89	2.1549.541.2	1	spacer 7x10x11
92	2.4019.517.1	1	spring
93	04414610	1	gasket
94	04413223	1	washer
95	04413208	1	bushing
96	04414586	1	spacer
97	2.1530.103.0	1	oil seal 39.69x3.53
98	2.1019.135.3	1	nut m16x1
99	2.1011.105.2	1	nut m 8 p.1.25



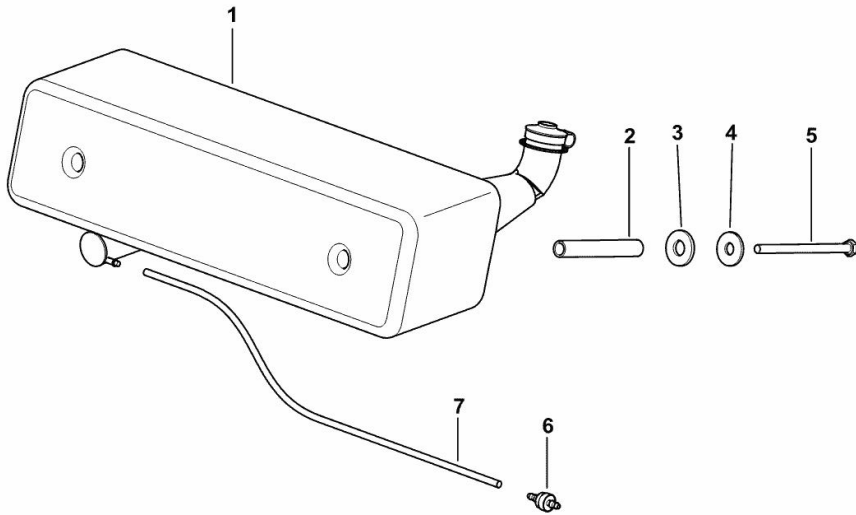
WATER TANK

Fig.	P/n	QTY	Name
------	-----	-----	------

Notes:

- FOR TYPES WITH CAB W/O "HIGH VISIBILITY" [Agrofarm 420 -> 16001]

1	0.016.1793.2	1	small tank ☞ 0.016.1793.2
2	2.1549.429.2	2	spacer
3	2.1569.143.0	2	gasket
4	2.1312.005.2	2	washer 10.2
5	2.0112.233.2	2	screw m 8 p.1.25 x 120
6	0.9231.559.0	1	pipe fitting
7	0.011.3963.0	2.6	tube



9_L1471_31_0-A-001

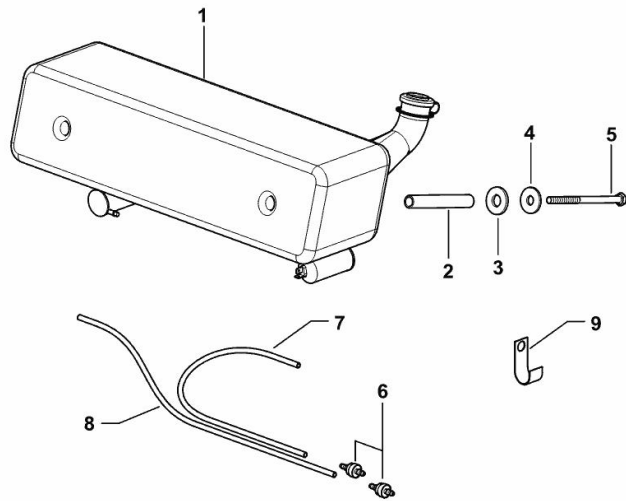
WATER TANK

Fig.	P/n	QTY	Name
------	-----	-----	------

Notes:

[Agrofarm 420 -> 16001] - FOR "HIGH VISIBILITY" CAB [Agrofarm 420 -> 16001]

1	0.015.7395.2	1	small tank ☞ 0.015.7395.2
2	2.1549.429.2	2	spacer
3	2.1569.143.0	2	gasket
4	2.1312.005.2	2	washer 10.2
5	2.0112.233.2	2	screw m 8 p.1.25 x 120
6	0.9231.559.0	2	pipe fitting
7	0.011.3963.0	2.6	tube
8	0.011.3963.0	2.6	tube
9	2.6819.004.2	2	brace



9_L1371_31_0-A-001

Buy Now



Our support email:

ebooklibonline@outlook.com