

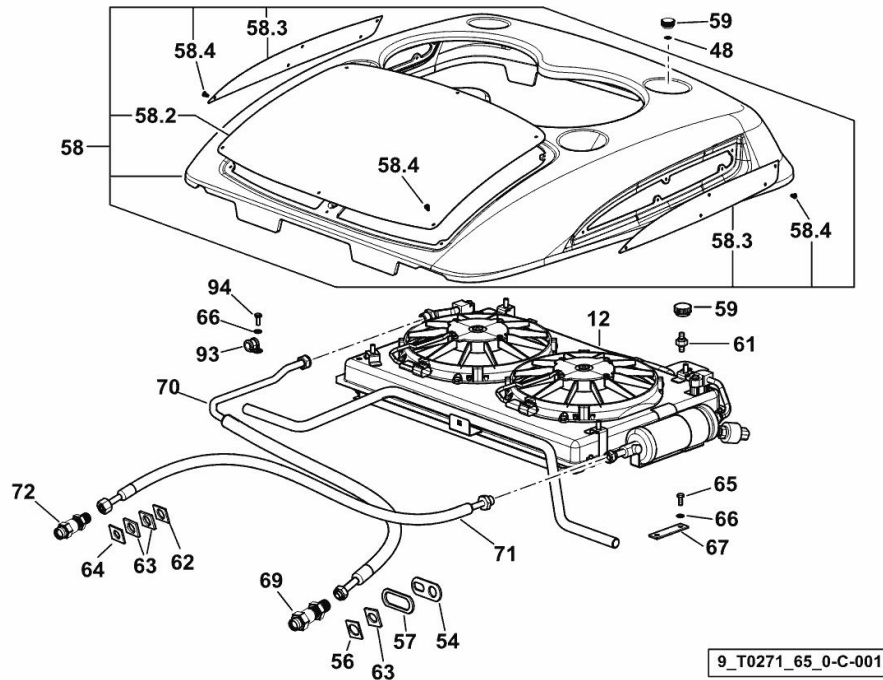
**CONDENSER**

Fig.	P/n	QTY	Name
------	-----	-----	------

**Notes:**

- FOR VERSIONS WITH NON- "HIGH VISIBILITY" CABS WITH HEATING AND AIR CONDITIONING  
 [AGROFARM 420 -> ZKDW390200TD25001] 25338 <-

12	0.018.3461.4/20	1	condenser ☞ 0.018.3461.4/20
48	2.1310.004.2	4	flat washer 8.4x17
54	0.007.6976.0	1	small plate
56	0.007.6975.0/20	1	small plate
57	0.007.6974.0/20	1	gasket
58	0.018.4506.4/20	1	complete cover RAL 7012
58.2	0.018.5240.0	1	grille
58.3	0.018.5241.0	2	grille
58.4	2.1856.002.0	16	rivet 3.2x40
59	0.012.9389.2	5	knob m 8
61	0.010.0662.0/10	1	pin
62	0.007.7779.0	1	small plate
63	0.007.7781.0/10	3	gasket
64	0.007.7780.0/10	1	small plate
65	2.0112.004.2	4	screw m 6 p.1 x 14
66	2.1310.002.2	7	flat washer 6.4x12.5
67	0.007.7783.0/10	2	small plate
69	2.3339.691.2/20	1	pipe fitting 3/4-16UNF
70	0.018.4533.3/10	1	tube
71	0.018.4534.3/10	1	tube
72	2.3339.692.2/20	1	pipe fitting 5/8-18UNF-2A
93	2.6839.059.0	1	clamp Ø 12 / 15
94	2.0114.005.2	1	screw m 6 p.1.0 x 16

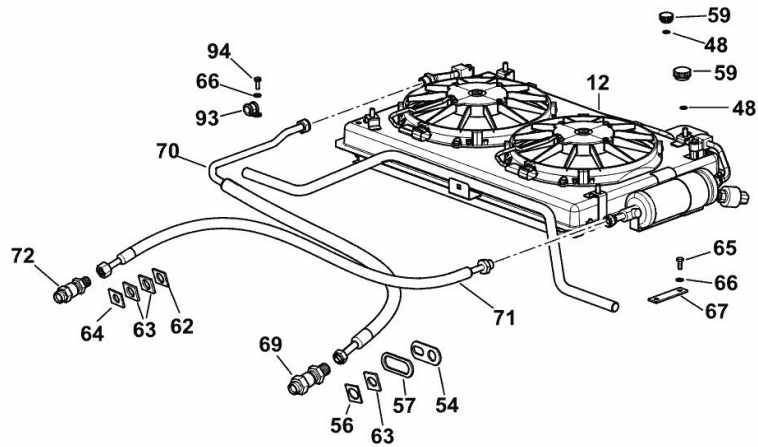


**CONDENSER**

Fig.	P/n	QTY	Name
------	-----	-----	------

**Notes:**

- FOR VERSIONS WITH NON- "HIGH VISIBILITY" CABS WITH HEATING AND AIR CONDITIONING  
 [AGROFARM 420 -> ZKDW390200TD25001] -> 25330



12	0.018.3461.4/20	1	condenser ☞ 0.018.3461.4/20
48	2.1310.004.2	4	flat washer 8.4x17
54	0.007.6976.0	1	small plate
56	0.007.6975.0/20	1	small plate
57	0.007.6974.0/20	1	gasket
59	0.012.9389.2	5	knob m 8
62	0.007.7779.0	1	small plate
63	0.007.7781.0/10	3	gasket
64	0.007.7780.0/10	1	small plate
65	2.0112.004.2	4	screw m 6 p.1 x 14
66	2.1310.002.2	7	flat washer 6.4x12.5
67	0.007.7783.0/10	2	small plate
69	2.3339.691.2/20	1	pipe fitting 3/4-16UNF
70	0.018.4533.3/10	1	tube
71	0.018.4534.3/10	1	tube
72	2.3339.692.2/20	1	pipe fitting 5/8-18UNF-2A
93	2.6839.059.0	1	clamp Ø 12 / 15
94	2.0114.005.2	1	screw m 6 p.1.0 x 16

9\_T0271\_65\_0-C-002

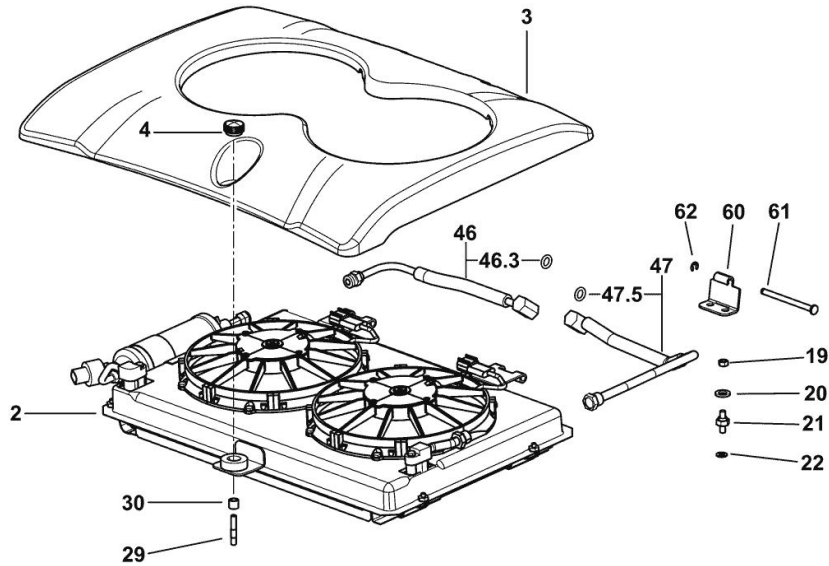
**CONDENSER - AIR CONDITIONING UNIT**

Fig.	P/n	QTY	Name
------	-----	-----	------

**Notes:**

- WITH "HIGH VISIBILITY" CAB WITHOUT F.O.P.S. AND WITH HEATING/AIR CONDITIONING [AGROFARM 420 -> ZKDW390200TD25001]

2	0.018.3178.4	1	condenser ☞ 0.018.3178.4
3	0.015.0825.0/20	1	cover
4	0.012.9389.2	1	knob m 8
19	2.1011.105.2	4	nut m 8 p.1.25
20	2.1579.147.2	4	spacer 12.5 x 22 x 3.0
21	0.010.0662.0/10	4	pin
22	2.1310.004.2	11	flat washer 8.4x17
29	2.0422.215.2	1	stud bolt m 8 p.1.25 x 50
30	2.1579.450.2	1	spacer
46	0.011.2126.3	1	tube
46.3	2.1533.014.0	1	oil seal 7.65 x 1.78
47	0.011.2306.3/20	1	tube
47.5	2.1533.025.0	2	oil seal 10.82x1.78
60	0.018.3182.0	2	hinge
61	0.018.0576.0	2	pin
62	2.1430.008.7	2	circlip 7



9\_R8686\_20\_0-C-001

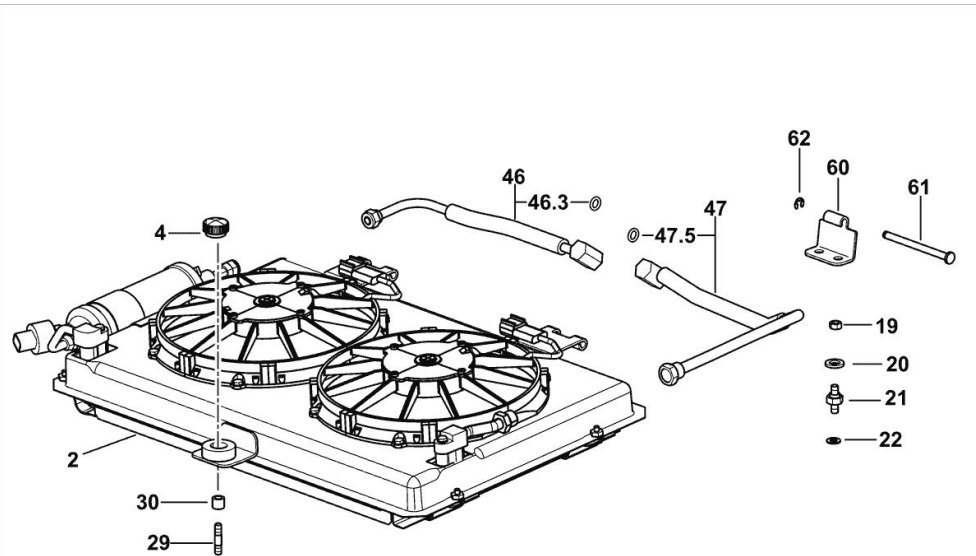
**CONDENSER - AIR CONDITIONING UNIT**

Fig.	P/n	QTY	Name
------	-----	-----	------

**Notes:**

- "HIGH VISIBILITY" CAB WITH F.O.P.S. AND WITH HEATING/AIR CONDITIONING [AGROFARM 420 -> ZKDW390200TD25001]

2	0.018.3178.4	1	condenser ☞ 0.018.3178.4
4	0.012.9389.2	1	knob m 8
19	2.1011.105.2	4	nut m 8 p.1.25
20	2.1579.147.2	4	spacer 12.5 x 22 x 3.0
21	0.010.0662.0/10	4	pin
22	2.1310.004.2	11	flat washer 8.4x17
29	2.0422.209.2	1	screw m 8 x 35
30	2.1579.450.2	1	spacer
46	0.011.2126.3	1	tube
46.3	2.1533.014.0	1	oil seal 7.65 x 1.78
47	0.011.2306.3/20	1	tube
47.5	2.1533.025.0	2	oil seal 10.82x1.78
60	0.018.3182.0	2	hinge
61	2.1699.169.2	2	pin 8x65
62	2.1430.007.2	4	circlip 6



9\_W7686\_20\_0-C-001

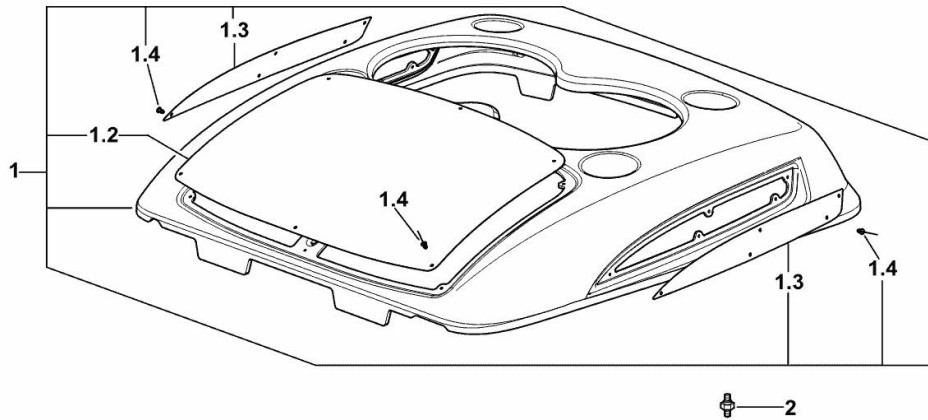
**A/C CONDENSER COVERS RAL 7012**

Fig.	P/n	QTY	Name
------	-----	-----	------

**Notes:**

- WITH CAB WITHOUT "HIGH VISIBILITY" OPTION WITHOUT F.O.P.S. AND WITH HEATING/AIR CONDITIONING [AGROFARM 420 -> ZKDW390200TD25001] 25753 <-

1	0.018.4506.4/20	1	complete cover RAL 7012 - GREY
1.2	0.018.5240.0	1	grille
1.3	0.018.5241.0	2	grille
1.4	2.1856.002.0	16	rivet 3.2x40
2	0.010.0662.0/10	1	pin



9\_T0271\_66\_0-A-001

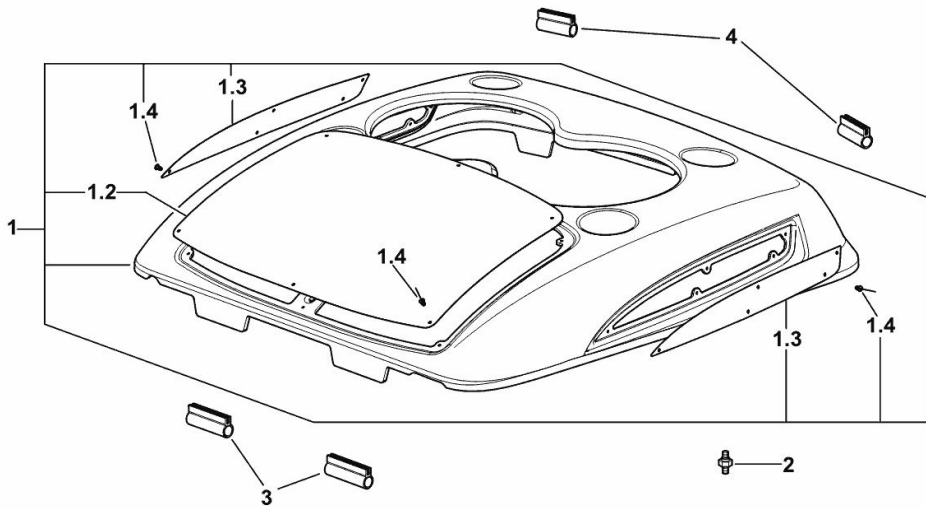
**A/C CONDENSER COVERS RAL 7012**

Fig.	P/n	QTY	Name
------	-----	-----	------

**Notes:**

- WITH CAB WITHOUT "HIGH VISIBILITY" OPTION WITHOUT F.O.P.S. AND WITH HEATING/AIR CONDITIONING [AGROFARM 420 -> ZKDW390200TD25001] -> 25771

1	0.018.4506.4/20	1	complete cover RAL 7012 - GREY
1.2	0.018.5240.0	1	grille
1.3	0.018.5241.0	2	grille
1.4	2.1856.002.0	16	rivet 3.2x40
2	0.010.0662.0/10	1	pin
3	0.021.3140.0	2	gasket
4	0.021.3147.0	2	gasket



9\_T0271\_66\_0-A-002

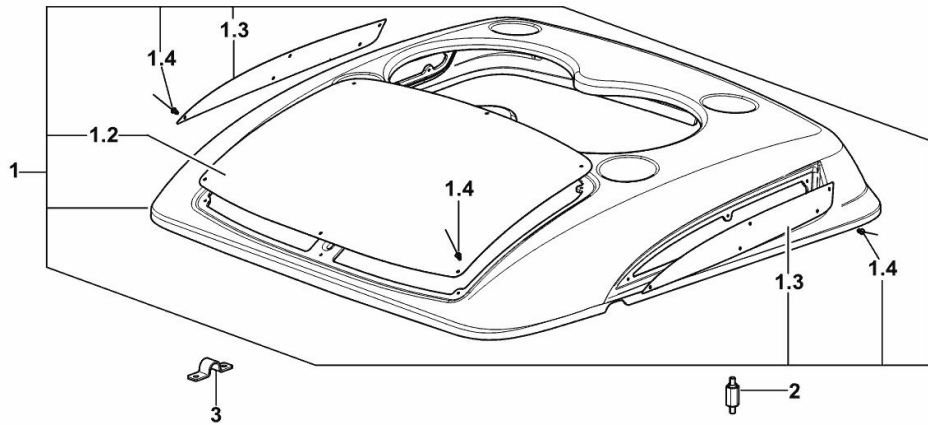
**A/C CONDENSER COVERS RAL 7012**

Fig.	P/n	QTY	Name
------	-----	-----	------

**Notes:**

- FOR TYPES WITH F.O.P.S. [AGROFARM 420 -> ZKDW390200TD25001]

1	0.018.9176.4	1	complete cover RAL 7012 - GREY
1.2	0.018.5240.0	1	grille
1.3	0.018.5241.0	2	grille
1.4	2.1856.002.0	16	rivet 3.2x40
2	0.019.6947.0	1	spacer
3	0.019.6828.0	2	u bolt



9\_S9771\_41\_0-A-001

**Buy Now**



Our support email:

[ebooklibonline@outlook.com](mailto:ebooklibonline@outlook.com)