

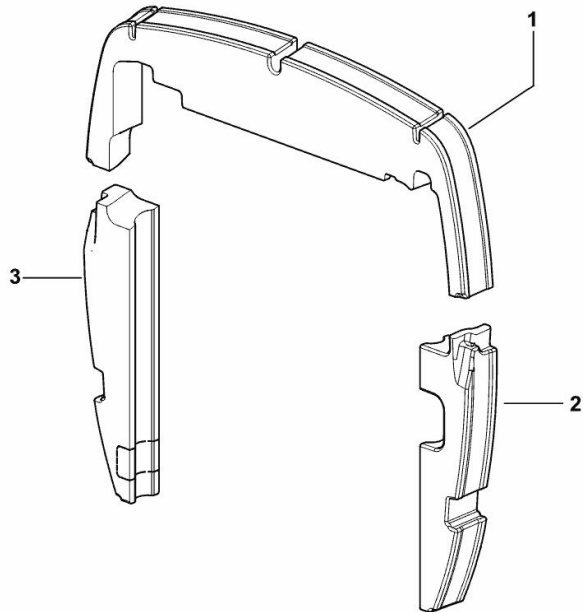
**ENGINE HOOD GASKETS**

Fig.	P/n	QTY	Name
------	-----	-----	------

**Notes:**

[AGROFARM 420 2WD -> ZKDW510100TD30001] [AGROFARM 420 4WD -> ZKDW510200TD30001]

1	0.015.7096.0/20	1	gasket
2	0.015.7097.0	1	gasket sx/lh/li
3	0.015.7098.0	1	gasket dx/rh/re



9\_J1572\_06\_0-A-001

AGROFARM 420 -> ZKDW510200TD30001

Section: G0 - BODYWORK - CAB

Ref: G0.01.16 (1)

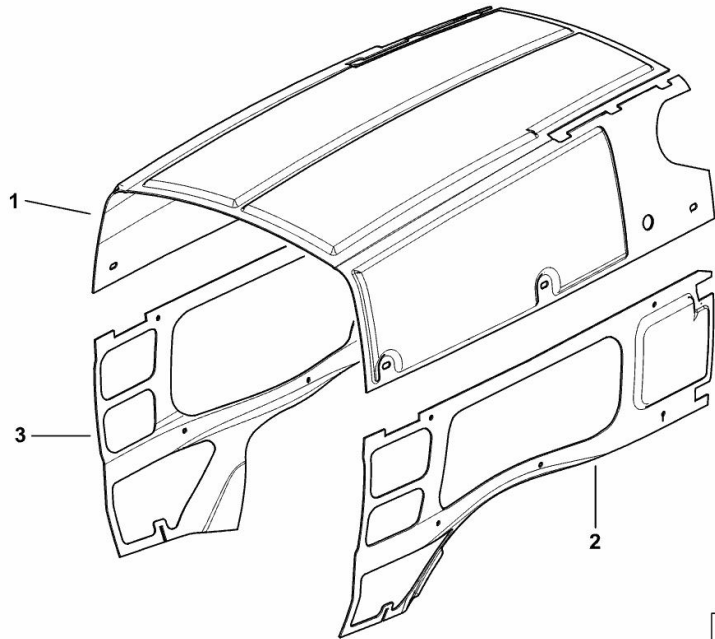
**HOOD INSULATION PANEL**

Fig.	P/n	QTY	Name
------	-----	-----	------

**Notes:**

[AGROFARM 420 2WD -> ZKDW510100TD30001] [AGROFARM 420 4WD -> ZKDW510200TD30001]

1	0.016.1019.0	1	panel
2	0.016.1021.0/10	1	panel sx/lh/li
3	0.016.1020.0/10	1	panel dx/rh/re



9\_L1672\_07\_0-A-001

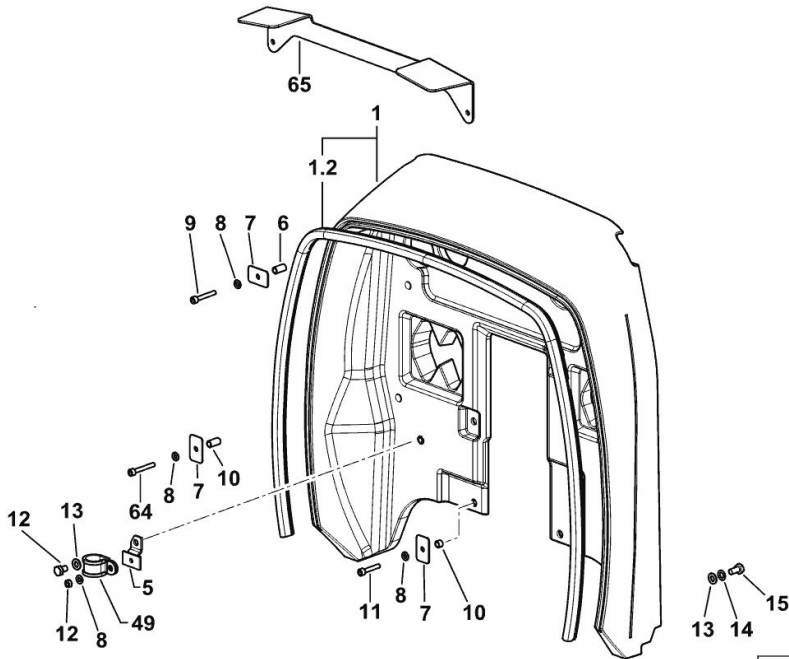
**CONNECTION FRAME**

Fig.	P/n	QTY	Name
------	-----	-----	------

**Notes:**

- FOR MODELS WITH PLATFORM [AGROFARM 420 2WD -> ZKDW510100TD30001] - FOR MODELS WITH PLATFORM [AGROFARM 420 4WD -> ZKDW510200TD30001]

1	0.015.0036.3/10	1	frame
1.2	0.013.6950.0	1.52	gasket
5	0.465.6363.2	2	terminal
6	2.1549.603.2	5	spacer 10x7x19
7	2.1369.002.2	7	small plate 25x40x2
8	2.1310.002.2	24	flat washer 6.4x12.5
9	2.0312.112.2	4	screw m 6 p.1 x 35
10	2.1549.598.2	4	spacer 10x7x6.5
11	2.0312.110.2	4	screw
12	2.0112.203.2	2	screw m 8 p.1.25 x 12
13	2.1310.004.2	8	flat washer 8.4x17
14	2.1470.004.2	2	lock washer 8
15	2.0112.205.2	2	screw m 8 p.1.25 x 16
49	2.6839.054.0	1	clamp Ø 20/25
64	2.0312.116.2	1	screw m 6 p.1 x 50
65	0.015.3576.2	1	bracket



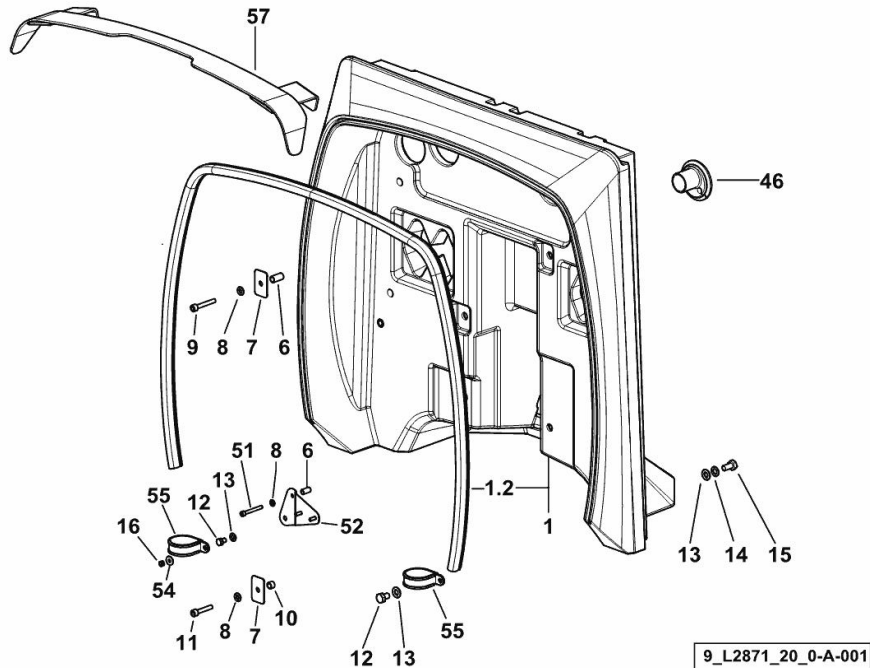
9\_L1671\_21\_0-A-001

**CONNECTION FRAME**

Fig.	P/n	QTY	Name
------	-----	-----	------

**Notes:**

- FOR MODELS WITH CAB [AGROFARM 420 2WD -> ZKDW510100TD30001] - FOR MODELS WITH CAB [AGROFARM 420 4WD -> ZKDW510200TD30001]



1	0.014.9443.3/10	1	frame
1.2	0.013.6950.0	1	gasket
6	2.1549.603.2	5	spacer 10x7x19
7	2.1369.002.2	6	small plate 25x40x2
8	2.1310.002.2	20	flat washer 6.4x12.5
9	2.0312.112.2	4	screw m 6 p.1 x 35
10	2.1549.598.2	4	spacer 10x7x6.5
11	2.0312.110.2	4	screw
12	2.0112.203.2	2	screw m 8 p.1.25 x 12
13	2.1310.004.2	10	flat washer 8.4x17
14	2.1470.004.2	2	lock washer 8
15	2.0112.205.2	2	screw m 8 p.1.25 x 16
16	2.1011.103.2	2	nut m 6 p.1
46	0.019.3847.0/10	1	grommet
51	2.0312.116.2	1	screw m 6 p.1 x 50
52	0.015.3704.3	1	bracket
54	2.1312.003.2	1	washer 6
55	2.6839.063.0	2	clamp Ø 50
57	0.015.3576.2	1	bracket

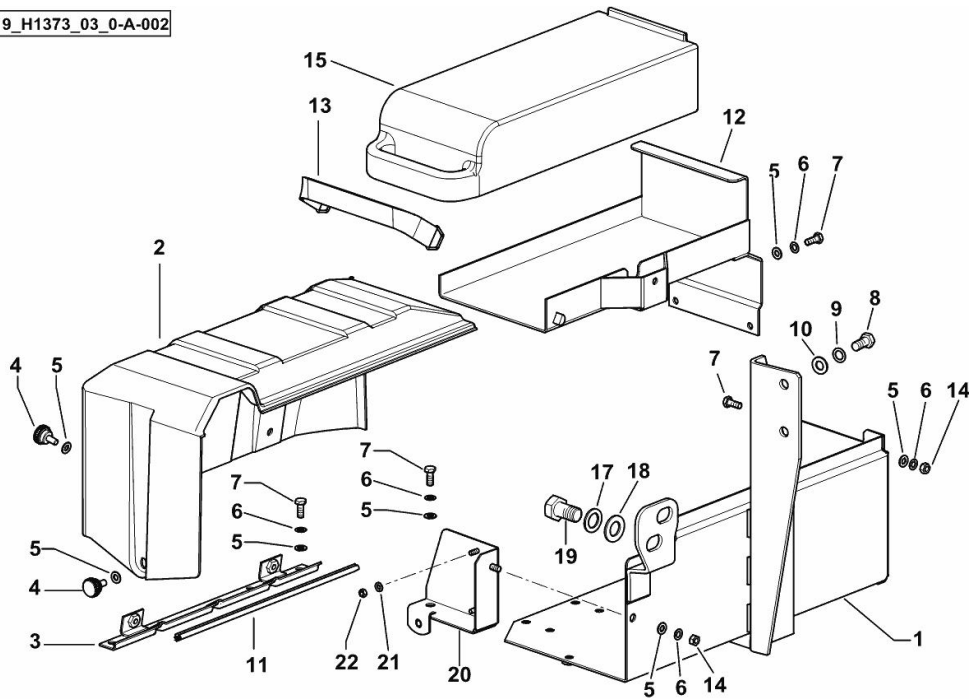
**BATTERY SUPPORT**

Fig.	P/n	QTY	Name
------	-----	-----	------

**Notes:**

- WITH UNDER STEP BATTERY [AGROFARM 420 4WD -> ZKDW510200TD30001]

9\_H1373\_03\_0-A-002



1	0.014.9379.3/10	1	battery support
2	0.014.9853.0	1	cover
3	0.008.9558.3	1	crosspiece
4	0.008.9024.2/10	3	knob
5	2.1310.004.2	12	flat washer 8.4x17
6	2.1470.004.2	9	lock washer 8
7	2.0112.207.2	8	screw m 8 p 1.25 x 20
8	2.0112.413.2	2	screw m 12 p.1.75x35
9	2.1470.007.2	2	lock washer 12
10	2.1310.007.2	2	flat washer 13 x 24
11	0.009.1354.0/10	1	gasket mm 360
12	0.011.0029.2	1	support
13	0.011.0073.2/10	1	rod
14	2.1011.105.2	2	nut m 8 p.1.25
15	04422635.4	1	toolbox
17	2.1470.011.2	1	lock washer 20
18	2.1310.013.2	1	flat washer 21x37
19	2.0112.813.2	1	screw m 20x35
20	0.014.9726.3/30	1	bracket
21	2.1310.002.2	2	flat washer 6.4x12.5
22	2.1011.103.2	2	nut m 6 p.1

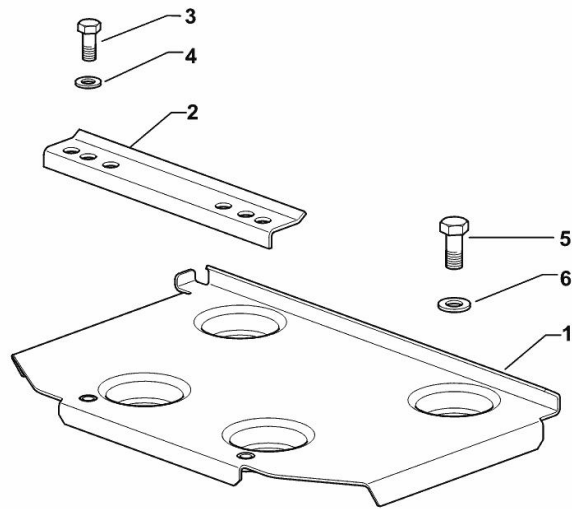
**BATTERY SUPPORT**

Fig.	P/n	QTY	Name
------	-----	-----	------

**Notes:**

- WITH FRONT BATTERY [AGROFARM 420 2WD -> ZKDW510100TD30001] - WITH FRONT BATTERY [AGROFARM 420 4WD -> ZKDW510200TD30001]

1	0.014.4746.3	1	plate
2	0.007.5411.0/10	1	crosspiece
3	2.0112.209.2	2	screw m 8 p 1.25 x 25
4	2.1310.004.2	2	flat washer 8.4x17
5	2.0112.307.2	4	screw m 10 p.1.5 x 20
6	2.1310.006.2	4	flat washer 10.5x21



9\_H1573\_04\_0-A-001

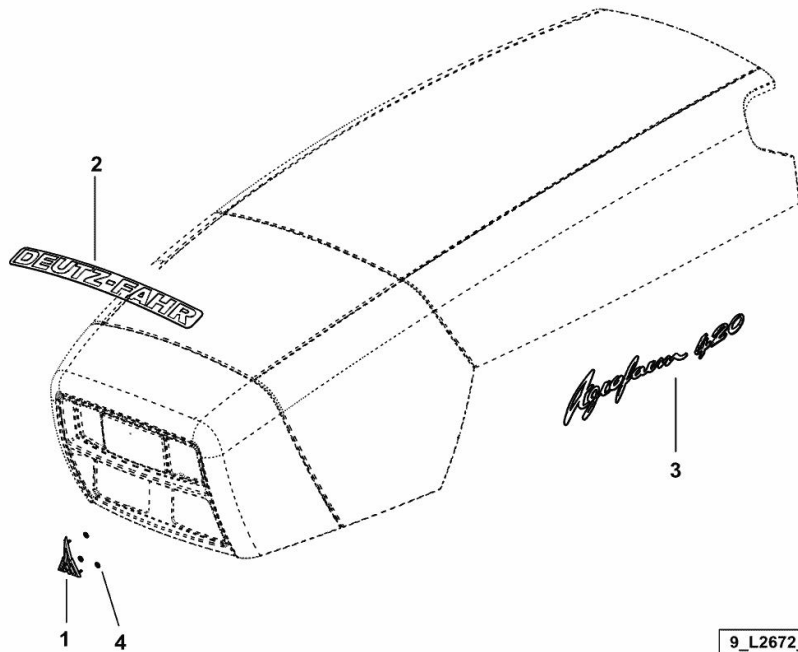
**MODEL PLATE**

Fig.	P/n	QTY	Name
------	-----	-----	------

**Notes:**

[AGROFARM 420 2WD -> ZKDW510100TD30001] 31026 <- [AGROFARM 420 4WD -> ZKDW510200TD30001] 31026 <-

1	0.013.9984.0/10	1	graphical symbol DEUTZ-FAHR
2	0.014.9384.2	1	plate DEUTZ-FAHR
3	0.016.0231.3	2	plate
4	2.6999.076.0	3	spring washer



9\_L2672\_05\_0-A-001

**Buy Now**



Our support email:

[ebooklibonline@outlook.com](mailto:ebooklibonline@outlook.com)