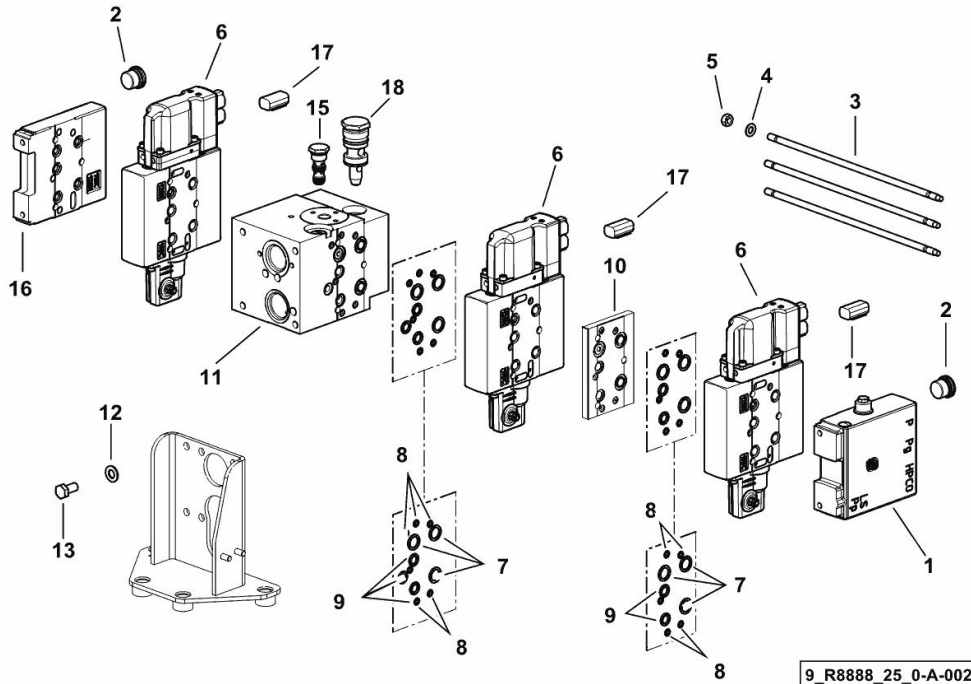


6-WAY AUXILIARY DISTRIBUTOR



9_R8888_25_0-A-002

Fig.	P/n	QTY	Name
------	-----	-----	------

Notes:

VERSION WITH 2 HYDRAULIC PUMPS [Agrofarm 420 Profiline -> 25001] -> 25057 - 25438 <-

1	2.3729.006.0/10	1	plate
2	2.3121.008.2	2	plug
3	2.0439.319.2	3	stud bolt m8x280
4	2.1475.002.2	3	conical washer 8
5	2.1011.105.2	3	nut m 8 p.1.25
6	2.3729.007.0	3	spool valve ☞ 2.3729.007.0
7	2.1532.038.0	6	oil seal
8	2.1531.009.0	11	oil seal 5.28x1.78
9	2.1532.024.0	5	oil seal 10.77x2.62
10	0.017.7703.0	1	spacer
11	0.017.7701.3/10	1	element
12	2.1475.003.2	4	washer 10
13	2.0112.307.2	4	screw m 10 p.1.5 x 20
14	2.3729.686.0	1	valve
15	2.3729.008.0/10	1	plate
16	2.6039.515.0	3	plug
17	2.3729.013.0	1	valve

6-WAY AUXILIARY DISTRIBUTOR

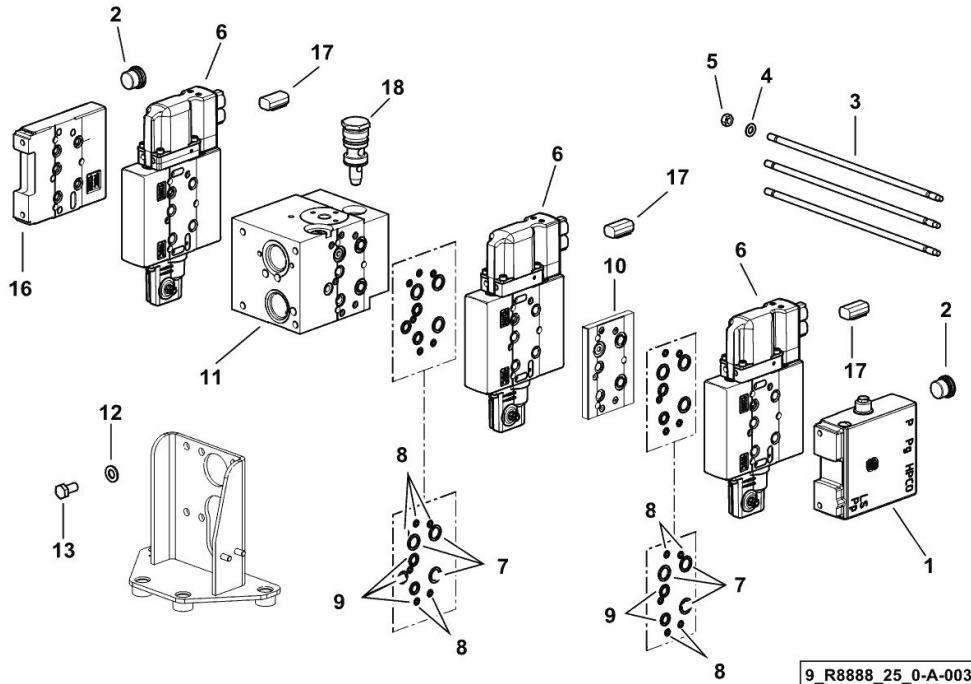


Fig.	P/n	QTY	Name
------	-----	-----	------

Notes:

VERSION WITH 2 HYDRAULIC PUMPS [Agrofarm 420 Profiline -> 25001] -> 25453

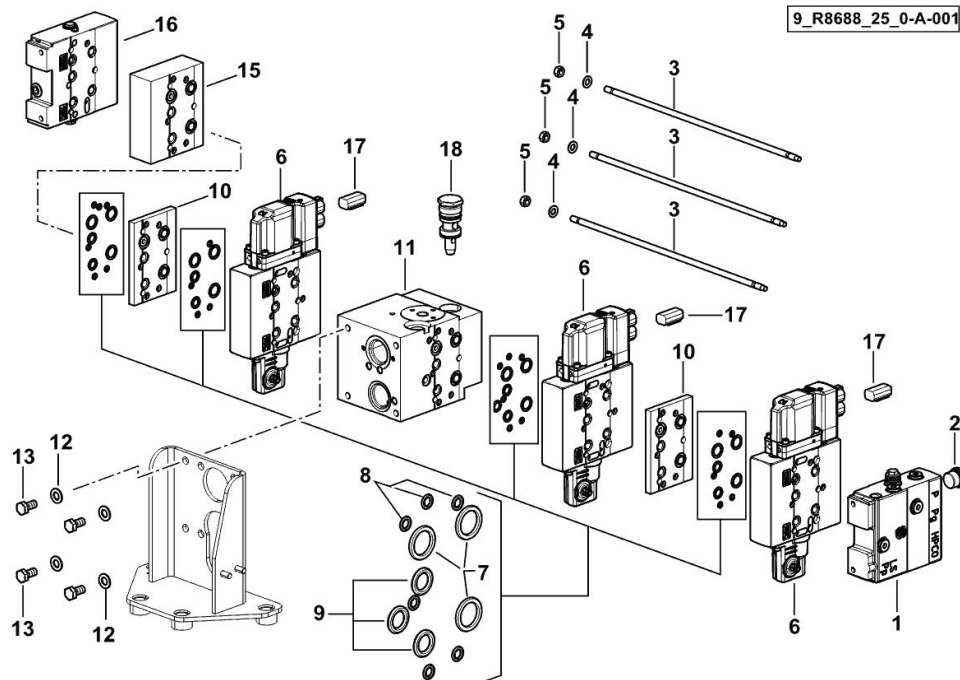
1	2.3729.006.0/10	1	plate
2	2.3121.008.2	2	plug
3	2.0439.319.2	3	stud bolt m8x280
4	2.1475.002.2	3	conical washer 8
5	2.1011.105.2	3	nut m 8 p.1.25
6	2.3729.007.0	3	spool valve ☞ 2.3729.007.0
7	2.1532.038.0	6	oil seal
8	2.1531.009.0	11	oil seal 5.28x1.78
9	2.1532.024.0	5	oil seal 10.77x2.62
10	0.017.7703.0	1	spacer
11	0.017.7701.3/10	1	element
12	2.1475.003.2	4	washer 10
13	2.0112.307.2	4	screw m 10 p.1.5 x 20
16	2.3729.008.0/10	1	plate
17	2.6039.515.0	3	plug
18	2.3729.013.0	1	valve

6-WAY AUXILIARY DISTRIBUTOR

Fig.	P/n	QTY	Name
------	-----	-----	------

Notes:

VERSION WITH 3 HYDRAULIC PUMPS [Agrofarm 420 Profiline -> 25001]



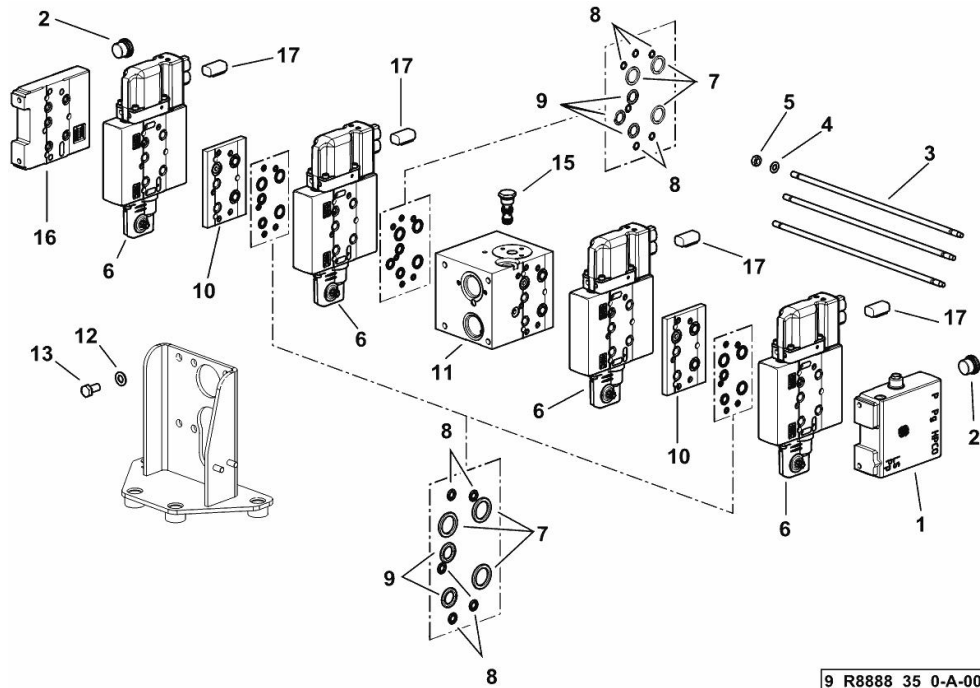
1	2.3729.006.0/10	1	plate
2	2.3121.008.2	1	plug
3	2.0439.321.2	3	stud bolt
4	2.1475.002.2	3	conical washer 8
5	2.1011.105.2	3	nut m 8 p.1.25
6	2.3729.007.0	3	spool valve ☞ 2.3729.007.0
7	2.1532.038.0	12	oil seal
8	2.1531.009.0	21	oil seal 5.28x1.78
9	2.1532.024.0	9	oil seal 10.77x2.62
10	0.017.7703.0	2	spacer
11	0.017.7701.3/10	1	element
12	2.1475.003.2	4	washer 10
13	2.0112.307.2	4	screw m 10 p.1.5 x 20
15	0.019.0810.0/10	1	spacer
16	2.3729.011.0/10	1	plate
17	2.6039.515.0	3	plug
18	2.3729.013.0	1	valve

8-WAY AUXILIARY DISTRIBUTOR

Fig.	P/n	QTY	Name
------	-----	-----	------

Notes:

VERSION WITH 2 HYDRAULIC PUMPS [Agrofarm 420 Profiline -> 25001] 25044 <-



9_R8888_35_0-A-001

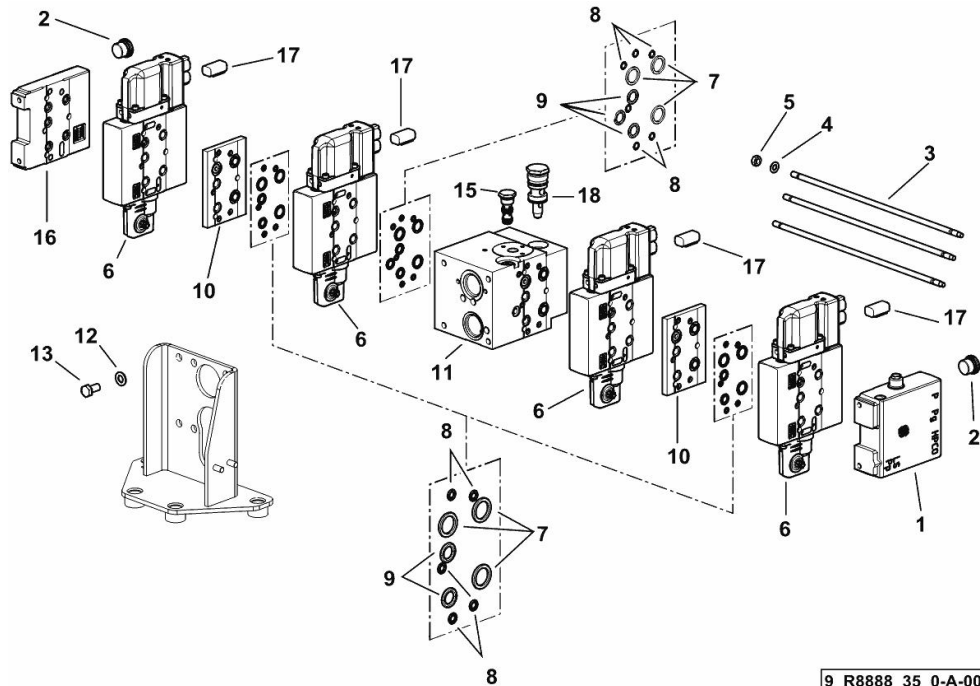
1	2.3729.006.0	1	plate (25007 <-)
1	2.3729.006.0/10	1	plate (-> 25004)
2	2.3121.008.2	2	plug
3	2.0439.320.2	3	stud bolt m 8x330
4	2.1475.002.2	3	conical washer 8
5	2.1011.105.2	3	nut m 8 p.1.25
6	2.3729.007.0	4	spool valve ☞ 2.3729.007.0
7	2.1532.038.0	9	oil seal
8	2.1531.009.0	16	oil seal 5.28x1.78
9	2.1532.024.0	7	oil seal 10.77x2.62
10	0.017.7703.0	2	spacer
11	0.017.7701.3	1	element
12	2.1475.003.2	4	washer 10
13	2.0112.307.2	4	screw m 10 p.1.5 x 20
15	2.3729.686.0	1	valve
16	2.3729.008.0	1	plate (25007 <-)
16	2.3729.008.0/10	1	plate (-> 25004)
17	2.6039.515.0	4	plug

8-WAY AUXILIARY DISTRIBUTOR

Fig.	P/n	QTY	Name
------	-----	-----	------

Notes:

VERSION WITH 2 HYDRAULIC PUMPS [Agrofarm 420 Profiline -> 25001] -> 25045 - 25441 <-



9_R8888_35_0-A-001

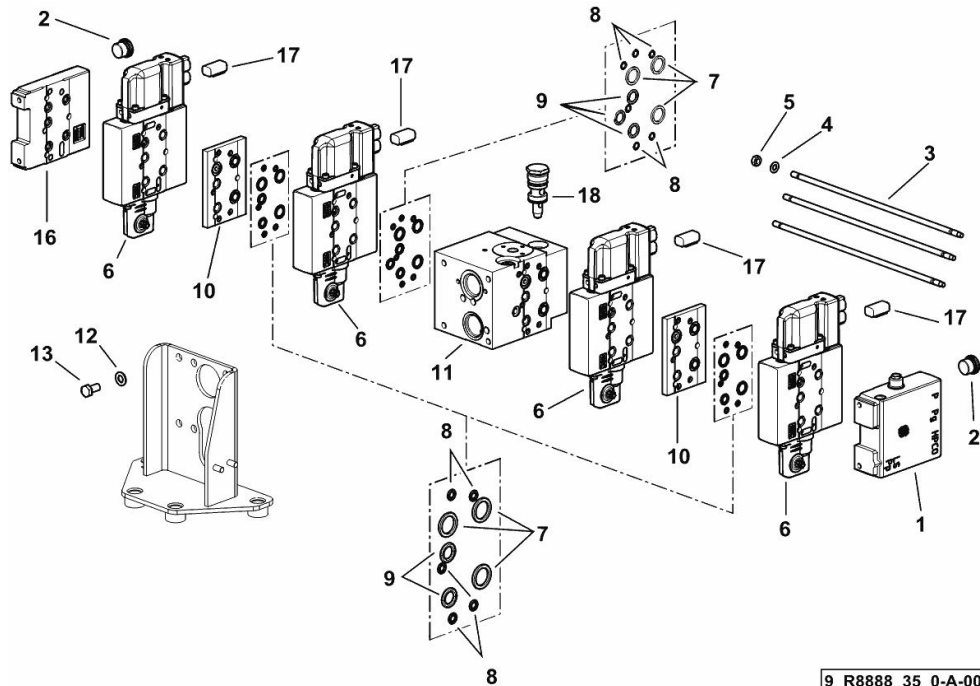
1	2.3729.006.0/10	1	plate
2	2.3121.008.2	2	plug
3	2.0439.320.2	3	stud bolt m 8x330
4	2.1475.002.2	3	conical washer 8
5	2.1011.105.2	3	nut m 8 p.1.25
6	2.3729.007.0	4	spool valve ☞ 2.3729.007.0
7	2.1532.038.0	9	oil seal
8	2.1531.009.0	16	oil seal 5.28x1.78
9	2.1532.024.0	7	oil seal 10.77x2.62
10	0.017.7703.0	2	spacer
11	0.017.7701.3/10	1	element
12	2.1475.003.2	4	washer 10
13	2.0112.307.2	4	screw m 10 p.1.5 x 20
15	2.3729.686.0	1	valve
16	2.3729.008.0/10	1	plate
17	2.6039.515.0	4	plug
18	2.3729.013.0	1	valve

8-WAY AUXILIARY DISTRIBUTOR

Fig.	P/n	QTY	Name
------	-----	-----	------

Notes:

VERSION WITH 2 HYDRAULIC PUMPS [Agrofarm 420 Profiline -> 25001] -> 25432



9_R8888_35_0-A-003

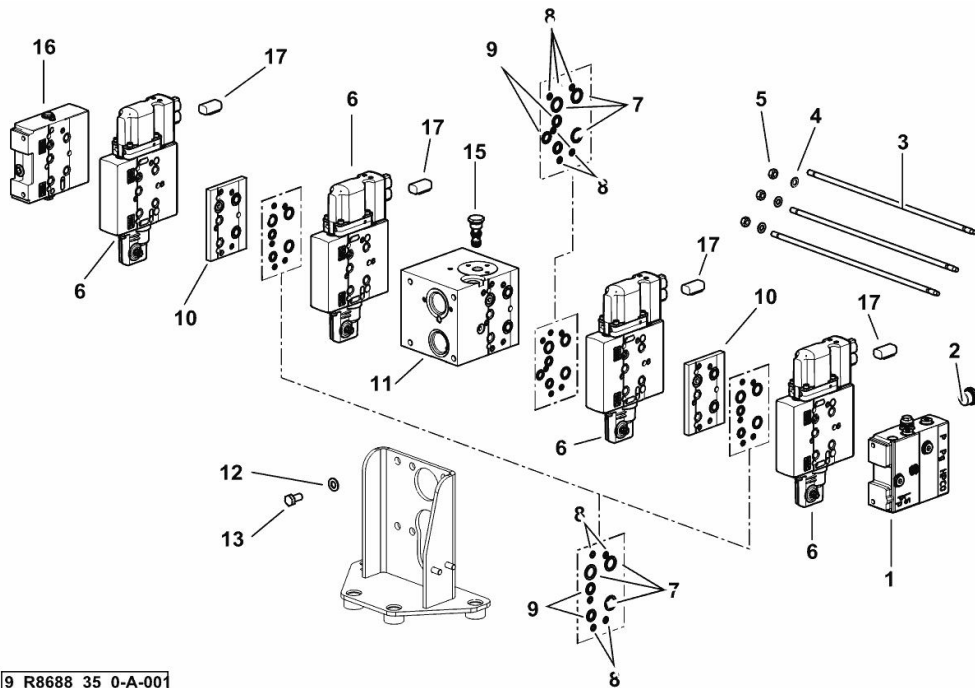
1	2.3729.006.0/10	1	plate
2	2.3121.008.2	2	plug
3	2.0439.320.2	3	stud bolt m 8x330
4	2.1475.002.2	3	conical washer 8
5	2.1011.105.2	3	nut m 8 p.1.25
6	2.3729.007.0	4	spool valve ☞ 2.3729.007.0
7	2.1532.038.0	9	oil seal
8	2.1531.009.0	16	oil seal 5.28x1.78
9	2.1532.024.0	7	oil seal 10.77x2.62
10	0.017.7703.0	2	spacer
11	0.017.7701.3/10	1	element
12	2.1475.003.2	4	washer 10
13	2.0112.307.2	4	screw m 10 p.1.5 x 20
16	2.3729.008.0/10	1	plate
17	2.6039.515.0	4	plug
18	2.3729.013.0	1	valve

8-WAY AUXILIARY DISTRIBUTOR

Fig.	P/n	QTY	Name
------	-----	-----	------

Notes:

VERSION WITH 3 HYDRAULIC PUMPS [Agrofarm 420 Profiline -> 25001]



1	2.3729.006.0/10	1	plate
2	2.3121.008.2	1	plug
3	2.0439.321.2	3	stud bolt
4	2.1475.002.2	3	conical washer 8
5	2.1011.105.2	3	nut m 8 p.1.25
6	2.3729.007.0	4	spool valve ↳ 2.3729.007.0
7	2.1532.038.0	9	oil seal
8	2.1531.009.0	16	oil seal 5.28x1.78
9	2.1532.024.0	7	oil seal 10.77x2.62
10	0.017.7703.0	2	spacer
11	0.017.7701.3	1	element
12	2.1475.003.2	4	washer 10
13	2.0112.307.2	4	screw m 10 p.1.5 x 20
15	2.3729.686.0	1	valve
16	2.3729.011.0/10	1	plate
17	2.6039.515.0	4	plug

9_R8688_35_0-A-001

Buy Now



Our support email:

ebooklibonline@outlook.com