

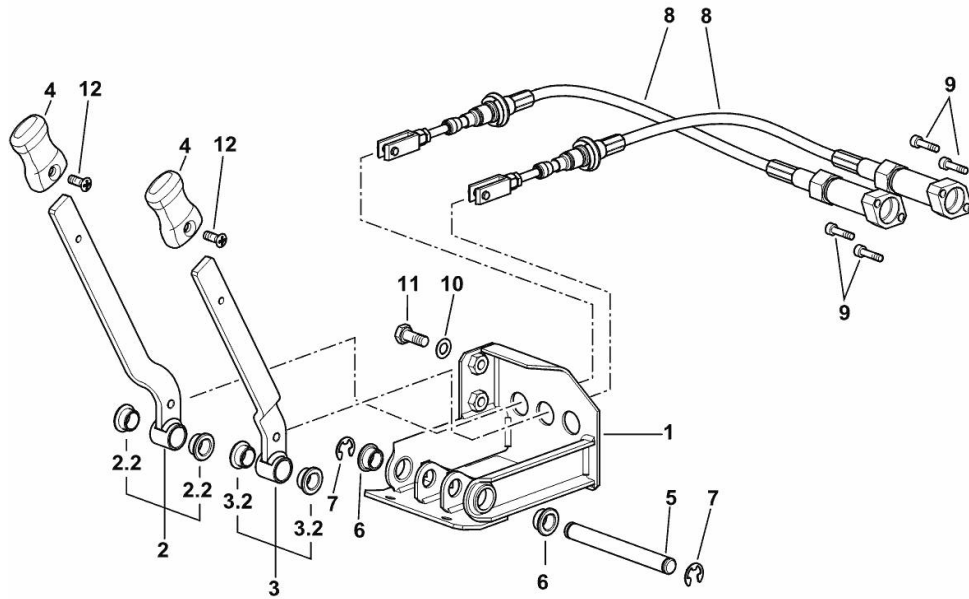
**REMOTE VALVE CONTROLS**

Fig.	P/n	QTY	Name
------	-----	-----	------

**Notes:**

- FOR TYPES WITH 4 WAY AUXILIARY CONTROL VALVE [AGROFARM 420 T 2WD ->5001] - FOR TYPES WITH 4 WAY AUXILIARY CONTROL VALVE [AGROFARM 420 T 4WD ->5001] - FOR MODELS WITH 6-WAY [AGROFARM 420 T 2WD ->5001] - FOR MODELS WITH 6-WAY [AGROFARM 420 T 4WD ->5001]

1	0.015.9868.3	1	bracket
2	0.016.8196.3	1	lever
2.2	2.1559.415.0	2	special bushing
3	0.016.8197.3	1	lever
3.2	2.1559.415.0	2	special bushing
4	0.010.5315.0	2	knob
5	0.014.8699.0/10	1	pin
6	2.1559.415.0	2	special bushing
7	2.1430.010.7	2	circlip 9
8	0.015.9867.4	2	rod mm 470
9	2.0312.006.2	4	screw m 5 p.0.8 x 20
10	2.1470.004.2	2	lock washer 8
11	2.0112.207.2	2	screw m 8 p 1.25 x 20
12	2.0322.406.6	2	screw m 6 p.1.0 x 16



9\_P9788\_18\_0-A-001

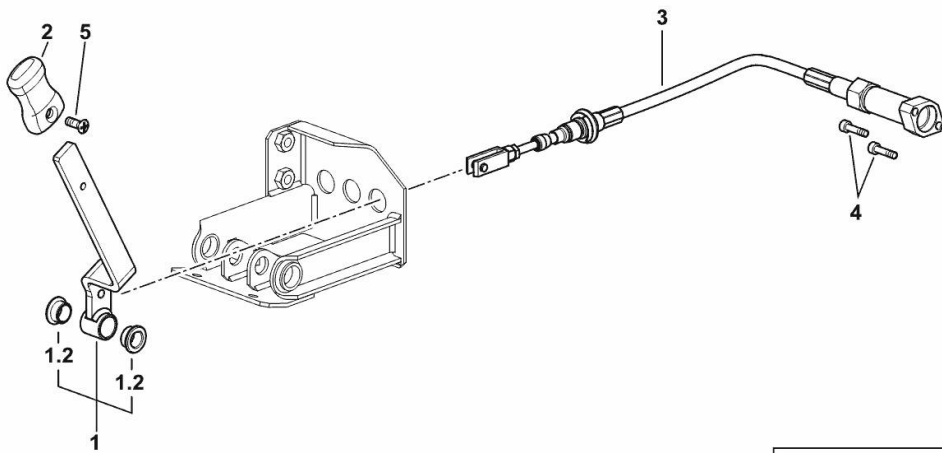
**6-WAY DISTRIBUTOR EQUIPMENT**

Fig.	P/n	QTY	Name
------	-----	-----	------

**Notes:**

[AGROFARM 420 T 2WD ->5001] [AGROFARM 420 T 4WD ->5001]

1	0.016.8198.3	1	lever
1.2	2.1559.415.0	2	special bushing
2	0.010.5315.0	1	knob
3	0.015.9867.4	1	rod mm 470
4	2.0312.006.2	2	screw m 5 p.0.8 x 20
5	2.0322.406.6	1	screw m 6 p.1.0 x 16



9\_P9788\_28\_0-A-001

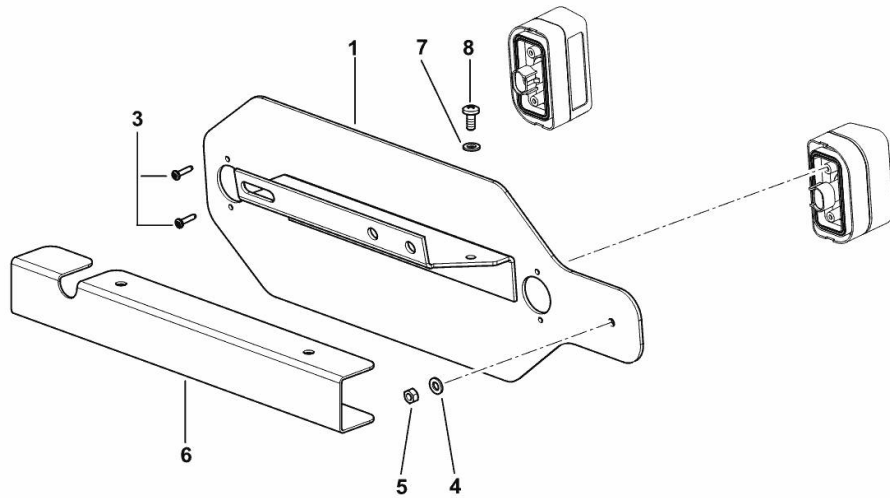
**LICENCE PLATE HOLDER**

Fig.	P/n	QTY	Name
------	-----	-----	------

**Notes:**

[AGROFARM 420 T 2WD ->5001] [AGROFARM 420 T 4WD ->5001]

1	0.015.2408.2/20	1	plate holder
3	2.0350.255.3	4	screw m 3.5 x 16 -AB-
4	2.1310.002.2	1	flat washer 6.4x12.5
5	2.1011.103.2	1	nut m 6 p.1
6	0.015.3162.3/10	1	guard
7	2.1310.002.3	2	flat washer 6.4 x 12 x 1.6
8	2.0332.405.3	2	screw m 6 p.1 x 14



9\_H1576\_60\_0-A-001

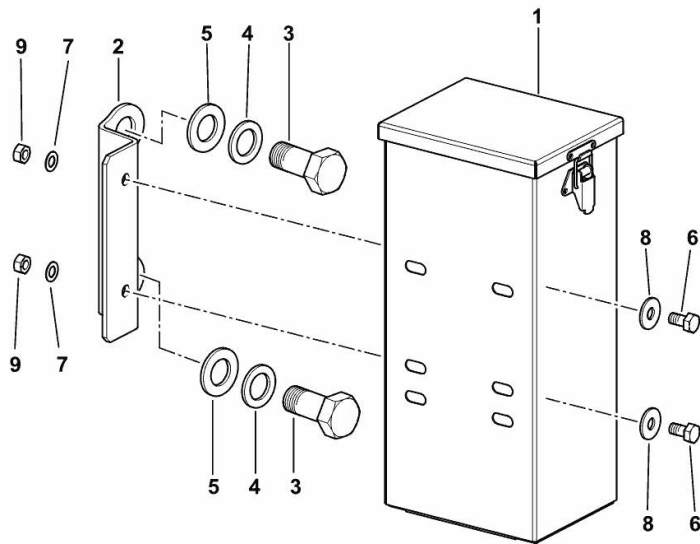
**METAL TOOLBOX**

Fig.	P/n	QTY	Name
------	-----	-----	------

**Notes:**

[AGROFARM 420 T 2WD ->5001] [AGROFARM 420 T 4WD ->5001]

1	0.467.7317.3/70	1	toolbox
2	0.016.5009.0/10	1	bracket
3	2.0112.817.2	2	screw m 20 p.2.5 x 45
4	2.1470.011.2	2	lock washer 20
5	2.1310.013.2	2	flat washer 21x37
6	2.0112.205.2	2	screw m 8 p.1.25 x 16
7	2.1470.004.2	2	lock washer 8
8	2.1312.004.2	2	washer 8x24x2
9	2.1011.105.2	2	nut m 8 p.1.25



9\_P9773\_01\_0-A-001

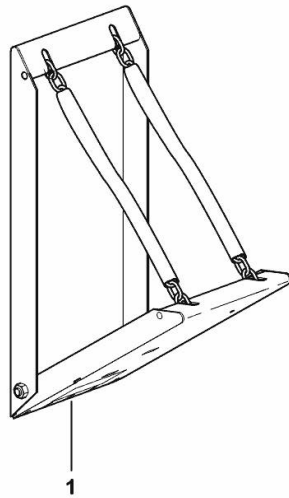
**CHOCK**

Fig.	P/n	QTY	Name
------	-----	-----	------

**Notes:**

- EXPORT CH [AGROFARM 420 T 2WD ->5001] - EXPORT CH [AGROFARM 420 T 4WD ->5001] - EXPORT D [AGROFARM 420 T 2WD ->5001] - EXPORT D [AGROFARM 420 T 4WD ->5001]

1	04415868/10	1	stop
---	-------------	---	------



9\_52676\_10\_0-A-001

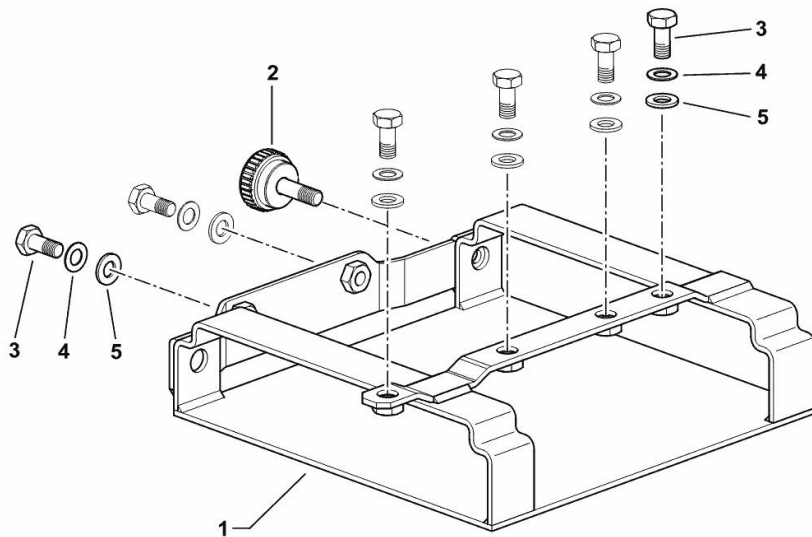
**HOLDING DEVICE - WHEEL CHOCK**

Fig.	P/n	QTY	Name
------	-----	-----	------

**Notes:**

- EXPORT CH [AGROFARM 420 T 2WD ->5001] - EXPORT CH [AGROFARM 420 T 4WD ->5001] - EXPORT D [AGROFARM 420 T 2WD ->5001] - EXPORT D [AGROFARM 420 T 4WD ->5001]

1	0.016.6390.3	1	support
2	0.016.4815.0	1	knob m8x25
3	2.0112.206.2	6	screw m 8 p.1.25 x 18
4	2.1470.004.2	6	lock washer 8
5	2.1310.004.2	6	flat washer 8.4x17



9\_P9776\_70\_0-A-001

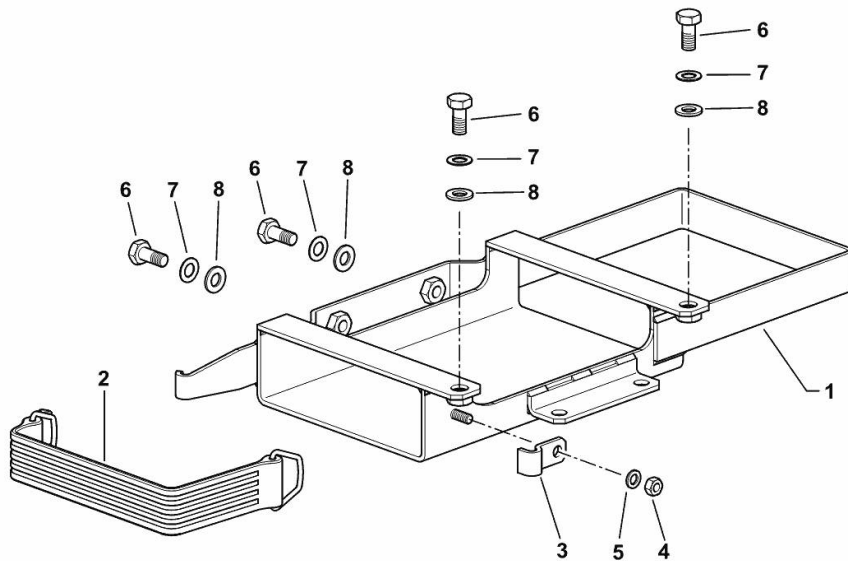
**TRIANGLE SUPPORT**

Fig.	P/n	QTY	Name
------	-----	-----	------

**Notes:**

- ITALY [AGROFARM 420 T 2WD ->5001] - ITALY [AGROFARM 420 T 4WD ->5001]

1	0.016.6391.3	1	support
2	0.011.0073.2/10	1	rod
3	0.016.6411.0	1	bracket
4	2.1011.103.2	1	nut m 6 p.1
5	2.1470.002.2	1	lock washer 6
6	2.0112.206.2	4	screw m 8 p.1.25 x 18
7	2.1470.004.2	4	lock washer 8
8	2.1310.004.2	4	flat washer 8.4x17



9\_P9776\_75\_0-A-001

**Buy Now**



Our support email:

[ebooklibonline@outlook.com](mailto:ebooklibonline@outlook.com)