

INTERNAL CONTROLS FOR 5 SPEED GEARBOX WITH H-M-L

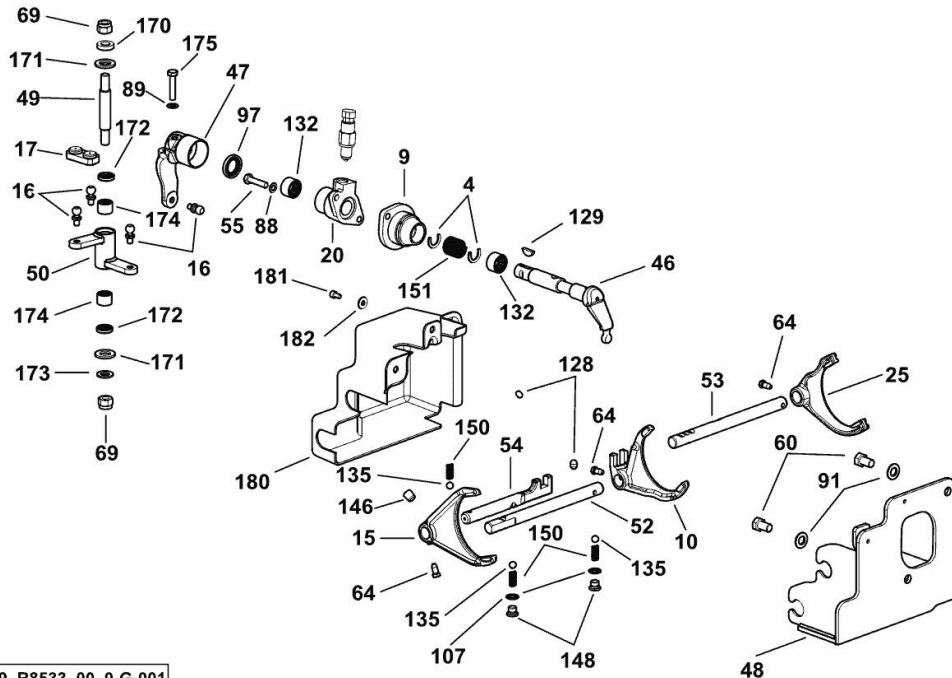


Fig.	P/n	QTY	Name
------	-----	-----	------

Notes:

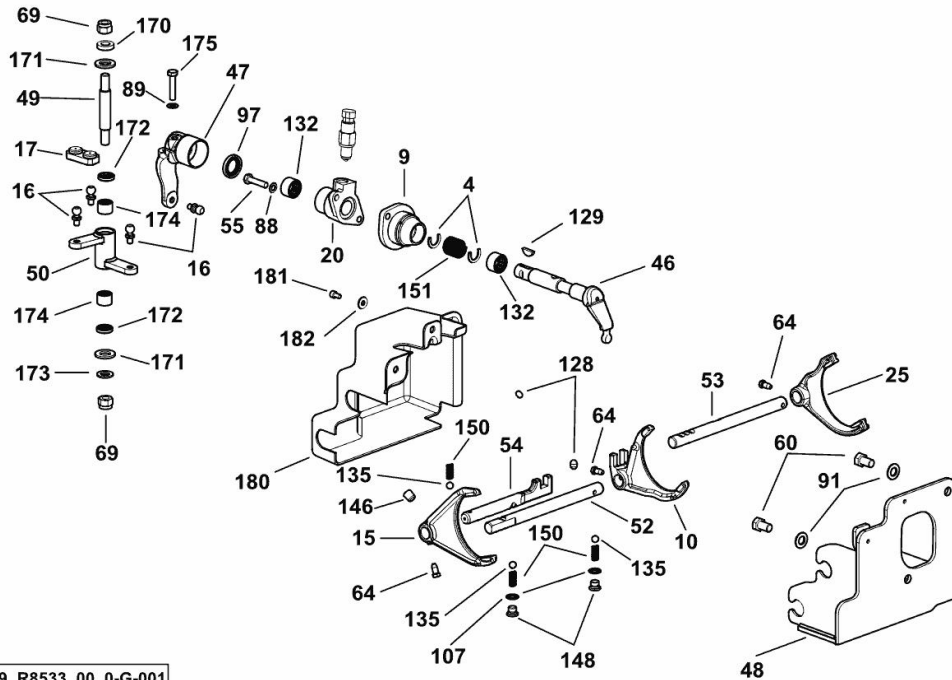
[Agrofarm 430 Profiline -> 15001]

4	0.008.5405.0	2	ring
9	0.011.7127.0/20	1	support
10	0.012.4169.0/20	1	fork
15	0.013.0009.0/10	1	fork
16	0.014.1947.0	4	small pin
17	0.017.7643.3	1	connecting rod
20	0.014.9383.0/20	1	support
25	0.015.9175.0/10	1	fork
46	0.017.7622.0	1	lever
47	0.017.7597.2	1	lever
48	0.018.9882.2	1	plate
49	0.017.4996.0/10	1	pin
50	0.017.7964.2	1	lever
52	0.445.6420.0/10	1	rod
53	0.445.6421.0/10	1	rod
54	0.445.6454.0/30	1	rod
55	2.0112.213.2	5	screw m 8 p.1.25 x 35
60	2.0112.407.2	2	screw m 12 p.1.75 x 20
64	2.0399.019.1	3	screw m 8 p.1 x 16
69	2.1120.007.2	2	self-locking nut m 12 p.1.75
88	2.1470.004.2	2	lock washer 8
89	2.1475.002.2	15	conical washer 8
91	2.1475.004.2	2	spring washer 12
97	2.1519.075.0	1	oil seal 22 x 35 x 6
107	2.1560.008.0	3	gasket 12.2 x 18
128	2.1699.159.0	2	cap 10 x 14.1
129	2.1720.010.0	1	key 5x9
132	2.2725.030.0	2	roller cage 22 x 28 x 16
135	2.2999.156.0	4	ball Ø 10
146	2.3131.001.4	1	plug m 12 p.1.5
148	2.3199.164.2/20	2	plug m 12 p.1.5
150	2.4019.622.1	3	spring 6.3 x 9.5 x 1.6 x 22.4
151	2.4019.698.1/10	1	spring 21 x 25 x 46
170	2.1549.124.2	1	spacer 13 x 25 x 6
171	2.1310.010.2	2	flat washer 17x30
172	2.1519.078.0	2	special oil seal 16 x 24 x 6
173	2.1475.004.7	1	washer 13 x 24
174	2.2725.020.0	2	roller cage 16x22x16
175	2.0112.215.2	1	screw m 8 p.1.25 x 40
180	0.017.8358.0/10	1	cover
181	2.0312.101.2	3	screw m 6 p.1 x 10

9_R8533_00_0-G-001

INTERNAL CONTROLS FOR 5 SPEED GEARBOX WITH H-M-L

Fig.	P/n	QTY	Name
182	2.1312.003.2	3	washer 6



9_R8533_00_0-G-001

REDUCTION GEAR CONTROL

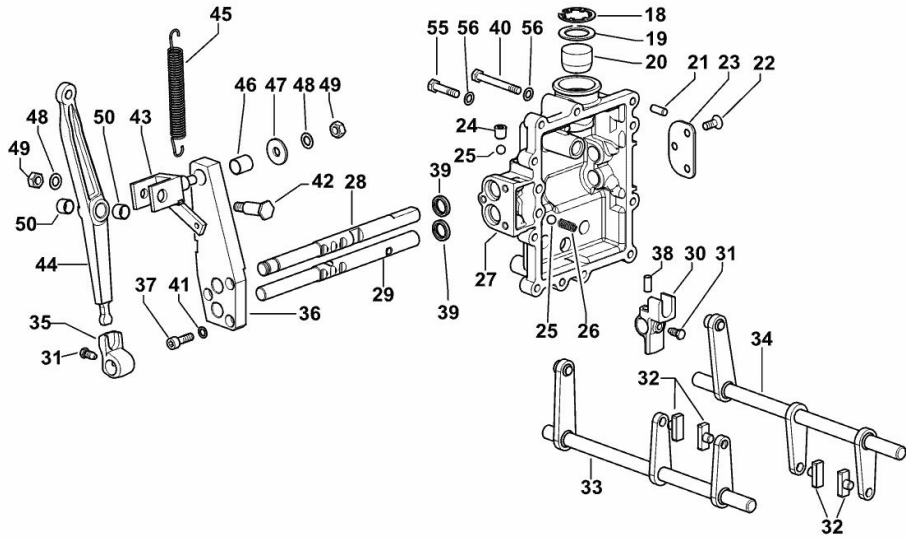


Fig.	P/n	QTY	Name
------	-----	-----	------

Notes:

[Agrofarm 430 Profiline -> 15001]

18	2.1499.054.1	1	circlip 42
19	2.1599.429.0	1	shoulder ring 28x41.5
20	0.007.2631.0	1	plug
21	2.1651.709.0	2	pin 8x20
22	2.0342.305.3	3	screw m 8 x 20
23	0.013.5465.0/10	1	plate
24	2.3131.001.4	1	plug m 12 p.1.5
25	2.1699.159.0	3	cap 10 x 14.1
26	2.4019.622.1	2	spring 6.3 x 9.5 x 1.6 x 22.4
27	0.013.5466.0	1	cover
28	0.013.5360.0/50	1	rod mm 249.5
29	0.013.5361.0/40	1	rod mm 251
30	0.013.5458.0	1	small lever
31	2.0399.019.1	2	screw m 8 p.1 x 16
32	0.255.6463.0	4	shoe
33	0.014.8304.2/10	1	fork
34	0.014.8303.2/20	1	fork
35	0.008.4316.0/40	1	hub
36	0.013.5462.0/10	1	support
37	2.0312.208.2	3	screw m 8 p.1.25 x 25
38	2.1699.267.0	1	pin 8x18
39	2.1519.078.0	2	special oil seal 16 x 24 x 6
40	2.0112.222.2	1	screw m 8 p.1.25x65
41	2.1480.014.1	3	washer 8
42	0.009.9957.0	1	pin
43	0.009.9858.2/20	1	fork
44	0.014.8087.0	1	brake lever
45	2.4049.025.2	1	spring 17.1x116x2.1
46	2.1555.309.0	1	bushing 16x18x20
47	2.1579.520.2	1	washer 10.5x30x3
48	2.1470.006.2	1	lock washer 10
49	2.1011.106.2	2	nut m 10 p.1.5
50	2.1555.107.0	2	bushing 14x16x12
55	2.0112.213.2	8	screw m 8 p.1.25 x 35
56	2.1481.007.2	9	washer 8

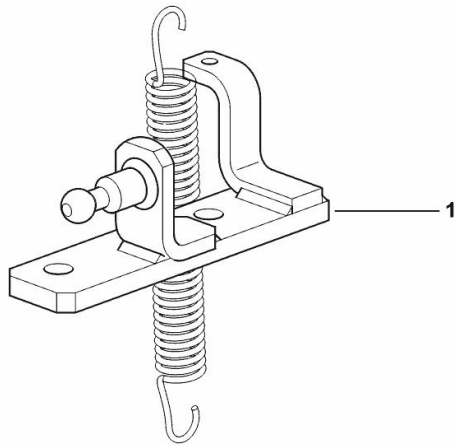
BRACKET

Fig.	P/n	QTY	Name
------	-----	-----	------

Notes:

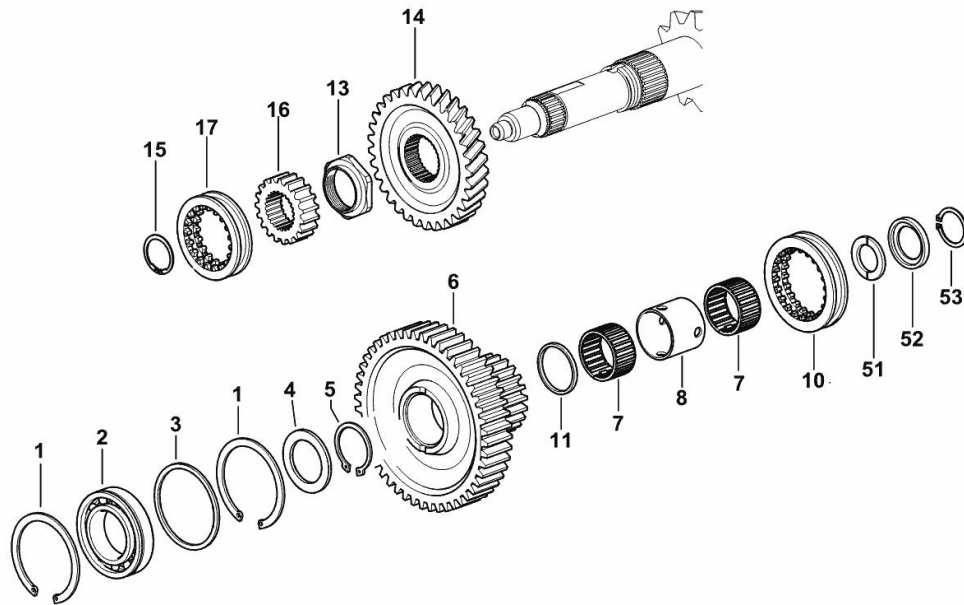
[Agrofarm 430 Profiline -> 15001]

1	0.014.8528.2/10	1	plate
---	-----------------	---	-------



9_H1334_02_0-A-001

SPEED RANGE REDUCTION GEAR UNIT



9_H1334_00_0-A-001

Fig.	P/n	QTY	Name
------	-----	-----	------

Notes:

[Agrofarm 430 Profiline -> 15001]

1	2.1411.036.1	2	circlip 90
2	2.2999.203.0	1	special bearing 50 x 90 x 20
3	2.1599.538.0	1	shoulder ring 80x89.5x3
4	2.1589.323.0	1	shoulder ring 45x65x4
5	2.1412.017.7	1	circlip 45
6	0.010.8998.0/20	1	gear z=48 z=22
7	2.2999.366.0	2	roller cage
8	2.1549.399.0/10	1	spacer
10	0.014.3116.0/10	1	sleeve
11	2.1549.413.0	1	spacer 47x52.8x4
13	2.1219.052.7/10	1	ring nut m 45 p.1.5
14	0.010.0843.0/20	1	gear z = 33
15	2.1419.067.0	1	circlip 35 x 1.5
16	0.255.3455.0	1	hub Z = 19
17	0.255.3438.0/20	1	sleeve Z = 19
51	0.008.5607.0/20	1	slewing ring
52	0.008.4481.0	1	ring
53	2.1410.014.1	1	circlip 35

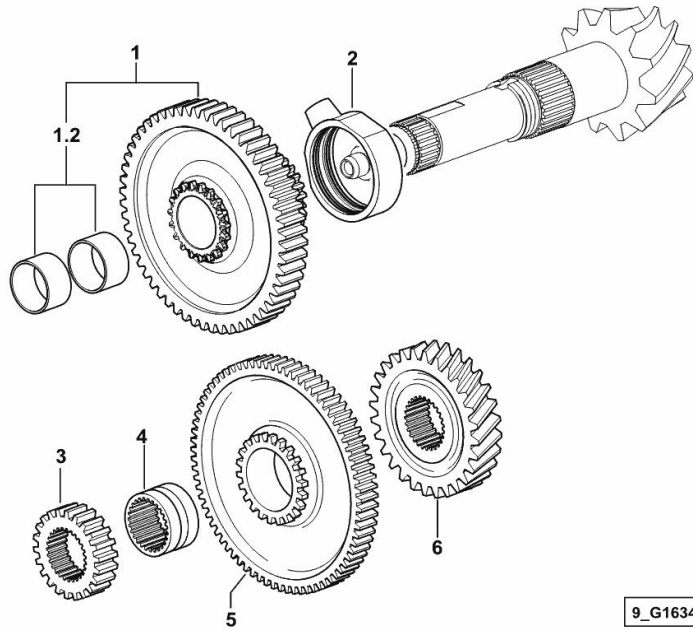
4-RANGE BOX

Fig.	P/n	QTY	Name
------	-----	-----	------

Notes:

[Agrofarm 430 Profiline -> 15001]

1	0.010.9013.3/10	1	gear z=56 z=26 z=19
1.2	2.1559.176.0	2	special bushing 40x44x25
2	0.007.3550.0	1	manifold
3	0.010.9008.0	1	hub Z = 22
4	0.010.9004.0/20	1	special bushing
5	0.010.9003.0	1	gear z=75 z=22
6	0.010.9006.0/10	1	gear Z = 28



9_G1634_08_0-A-001

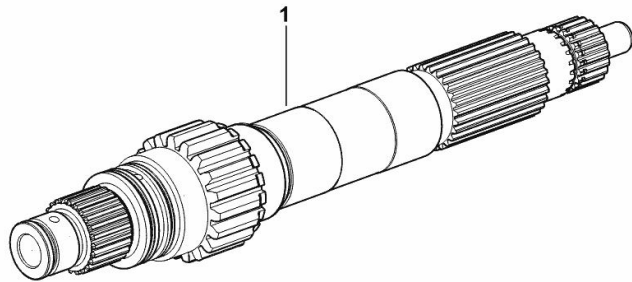
SPEED RANGE REDUCTION GEAR SHAFT

Fig.	P/n	QTY	Name
------	-----	-----	------

Notes:

[Agrofarm 430 Profiline -> 15001]

1	0.013.9324.0/40	1	shaft
---	-----------------	---	-------



9_H1534_01_0-A-001

Buy Now



Our support email:

ebooklibonline@outlook.com