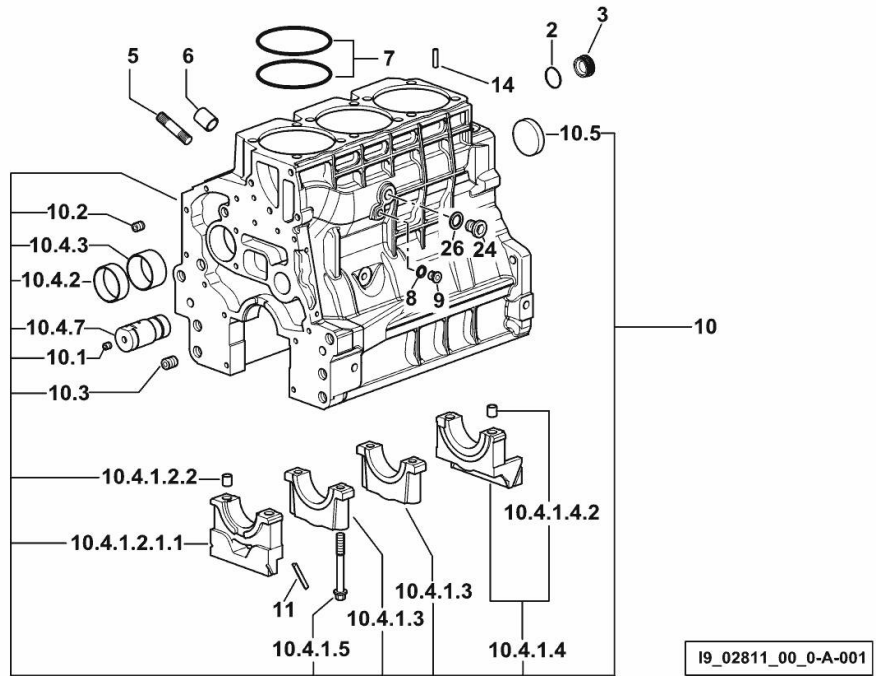


CRANKCASE

Fig.	P/n	QTY	Name
------	-----	-----	------

Notes:

[AGROLUX 70 E 2WD -> D10S653WX1E5001] [AGROLUX 70 E 4WD -> D10S653WT1E5001]



2	2.1532.072.0	1	oil seal 26.70x1.78
3	2.3199.405.2	1	plug m 28 p.1.5
5	2.0432.003.7	9	stud bolt m 8 p.1.25 / p.1 x 20
6	2.1559.188.2	3	bush 11.4 x 14 x16
7	2.1539.259.0	6	special oil seal 107.62x2.62
8	2.1560.010.0	1	gasket 14.2 x 20
9	2.3199.292.0	1	plug 1/4" gas
10	0.070.1110.6/20	1	crankcase
10.1	2.3130.001.1	9	plug 1/8" gas
10.2	2.3130.002.1	2	plug 1/4" gas
10.3	2.3130.003.1	2	plug 3/8" gas
10.4.1.2.1.1	0.065.1112.7/10	1	support
10.4.1.2.2	2.1699.165.0	1	bush 12.3x15x16
10.4.1.3	0.065.1114.0/10	2	support
10.4.1.4	0.065.1116.3	1	support
10.4.1.4.2	2.1699.165.0	1	bush 12.3x15x16
10.4.1.5	0.065.1117.0	8	screw m 12 x 100
10.4.2	0.065.1140.0	3	special bushing 59X55X20
10.4.3	0.065.1141.0	1	special bushing 59X55X30
10.4.7	0.066.1151.0	1	pin L= 87 mm
10.5	2.3179.012.0	1	plug 60
11	0.066.1152.0/10	4	gasket
14	2.1549.154.2	3	bush 4.8x5.8x16
24	2.3120.101.0	1	plug m 18 p.1.5
26	2.1560.014.0	1	washer 18.2 x 24

AGROLUX 70 E -> D10S653WT1E5001

Section: B0 - ENGINE

Ref: B0.01.2 (1)

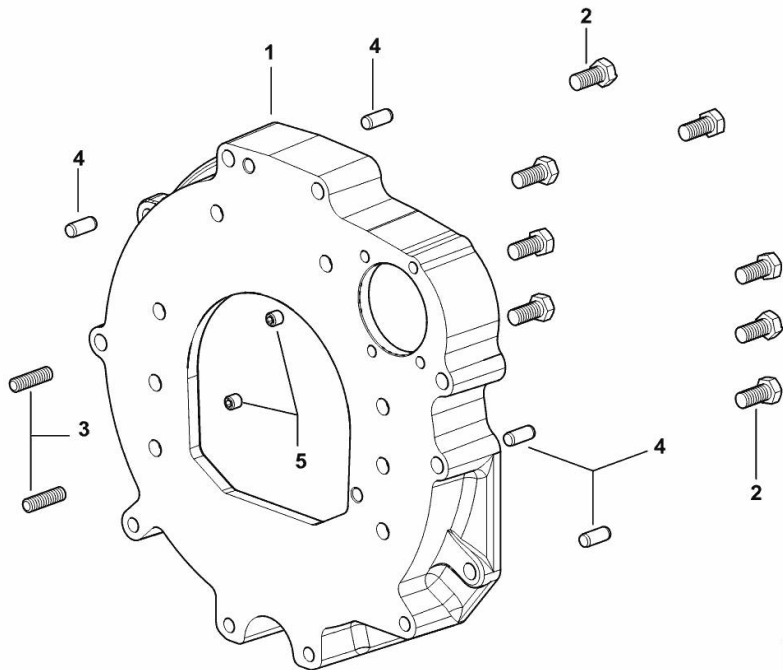
MONOBLOC ENGINE-GEARBOX CONNECTING FLANGE

Fig.	P/n	QTY	Name
------	-----	-----	------

Notes:

[AGROLUX 70 E 2WD -> D10S653WX1E5001] [AGROLUX 70 E 4WD -> D10S653WT1E5001]

1	0.015.8814.0	1	flange
2	2.0112.511.2	8	screw m 14 p.2 x 30
3	2.0432.255.7	2	stud bolt m 12 p.1.75-1.25x25
4	2.1651.912.0	4	cylindrical plug 12x28
5	2.0512.404.7	2	screw

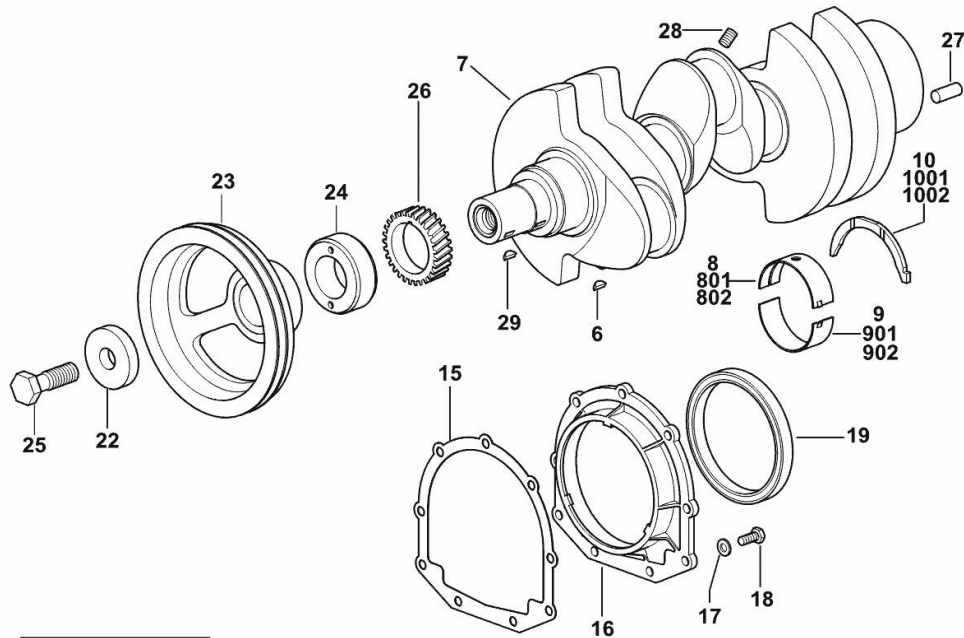


CRANKSHAFT

Fig.	P/n	QTY	Name
------	-----	-----	------

Notes:

[AGROLUX 70 E 2WD -> D10S653WX1E5001] [AGROLUX 70 E 4WD -> D10S653WT1E5001]



6	2.1720.006.0	1	key 4x6.5
7	0.007.1554.0/20	1	crankshaft
8	0.065.1215.0/10	4	main half bushing STANDARD
9	0.065.1216.0/10	4	main half bushing STANDARD
10	0.065.1218.0	4	shim STANDARD
15	0.065.1254.0/20	1	gasket
16	0.007.1711.0/10	1	cover
17	2.1475.002.2	9	conical washer 8
18	2.0112.207.2	9	screw m 8 p 1.25 x 20
19	2.1529.073.0	1	special oil seal 110x130x13
22	2.1599.524.7	1	washer 21x60x12
23	0.014.5093.0	1	pulley
24	0.085.1248.0/20	1	hub
25	2.0399.144.7/10	1	screw m 20 p.1.5x51
26	0.065.1323.0/30	1	gear Z = 29
27	2.1651.915.0	1	pin 12x35
28	2.3130.001.1	3	plug 1/8" gas
29	2.1720.006.0	1	key 4x6.5
801	0.065.1215.7	1	main half bushing - mm 0.25
802	0.065.1215.8	1	main half bushing - mm 0.50
901	0.065.1216.7	1	main half bushing - mm 0.25
902	0.065.1216.8	1	main half bushing - mm 0.50
1001	0.065.1218.7	1	shim + mm 0.10
1002	0.065.1218.8	1	shim + mm 0.15

19_O2812_00_0-A-001

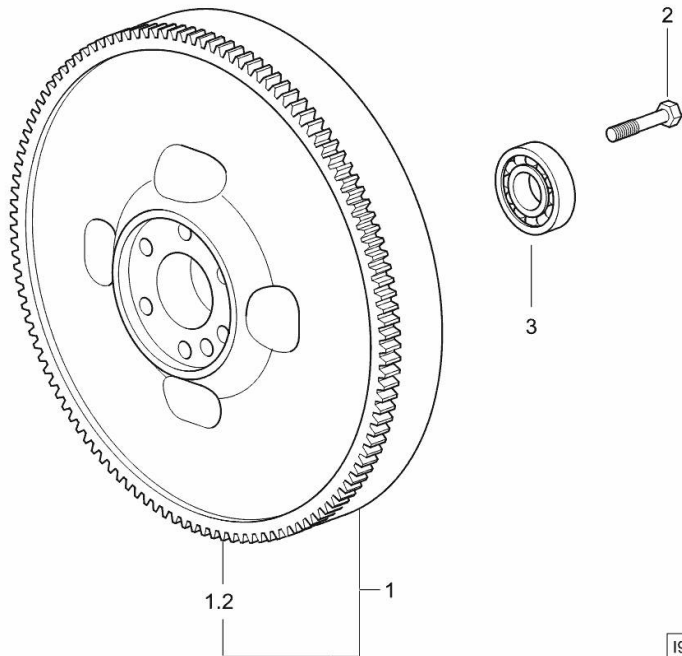
ENGINE FLYWHEEL

Fig.	P/n	QTY	Name
------	-----	-----	------

Notes:

- FOR TYPES WITH DOUBLE CLUTCH [AGROLUX 70 E 2WD -> D10S653WX1E5001] - FOR TYPES WITH
DOUBLE CLUTCH [AGROLUX 70 E 4WD -> D10S653WT1E5001]

1	0.007.1617.3/30	1	flywheel
1.2	0.069.1242.0	1	crown wheel Z = 121
2	2.0119.174.0/10	6	screw m 12 p.1.25x45
3	2.2041.008.9	1	ball bearing 20x47x14



I9_38512_12_0-A-001

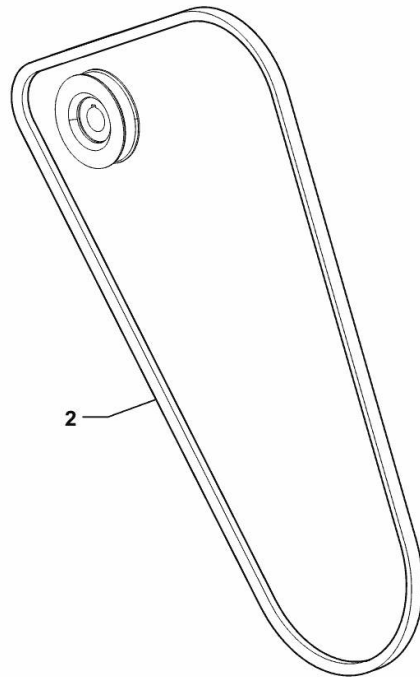
COOLANT PUMP DRIVEBELT

Fig.	P/n	QTY	Name
------	-----	-----	------

Notes:

- FOR 38A ALTERNATOR [AGROLUX 70 E 2WD -> D10S653WX1E5001] - FOR 38A ALTERNATOR [AGROLUX 70 E 4WD -> D10S653WT1E5001]

2	2.4119.198.0	1	vee belt AV 10.7x1240 mm
---	--------------	---	--------------------------



19_L1019_11_0-B-001

AGROLUX 70 E -> D10S653WT1E5001

Section: B0 - ENGINE

Ref: B0.02.6 (1)

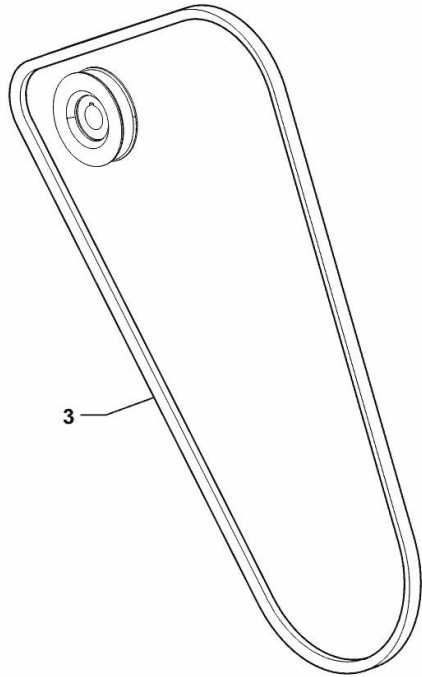
COOLANT PUMP AND ALTERNATOR DRIVEBELT

Fig.	P/n	QTY	Name
------	-----	-----	------

Notes:

- FOR 65A ALTERNATOR [AGROLUX 70 E 2WD -> D10S653WX1E5001] - FOR 65A ALTERNATOR [AGROLUX 70 E 4WD -> D10S653WT1E5001]

3	2.4119.198.0	1	vee belt AV 10.7x1240 mm
---	--------------	---	--------------------------



19_O2519_11_0-A-001

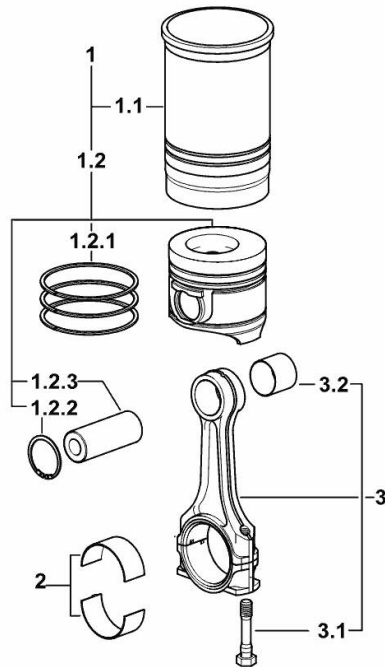
CYLINDER - PISTON - CONNECTING ROD

Fig.	P/n	QTY	Name
------	-----	-----	------

Notes:

[AGROLUX 70 E 2WD -> D10S653WX1E5001] [AGROLUX 70 E 4WD -> D10S653WT1E5001]

1	0.388.0065.A	3	cyl. piston assembly "A" - CLASS A
1	0.388.0065.B	3	cyl. piston assembly "B" - CLASS B
1.1	0.A12.2675.0	1	engine cylinder "A" - CLASS A
1.1	0.B12.2675.0	1	engine cylinder "B" - CLASS B
1.2	0.381.0060.A	1	complete piston "A" - CLASS A
1.2	0.381.0060.B	1	complete piston "B" - CLASS B
1.2.1	0.338.0052.6/20	1	piston ring set
1.2.2	2.1411.014.1	2	circlip 35
1.2.3	0.078.1236.0	1	piston pin Ø 18 / Ø 35 / L = mm 86
2	0.065.1225.0	6	con.rod half bushing STANDARD - A = 28.75 -> 29.00
2	0.065.1225.7	6	con.rod half bushing - mm 0.25
2	0.065.1225.8	6	con.rod half bushing - mm 0.50
3	0.078.1220.3/30	3	engine connecting rod
3.1	2.0399.213.0	2	screw m 12 p.1.25x61.5
3.2	2.1559.114.0/10	1	special bushing



I9_M7712_03_M-A-001

Buy Now



Our support email:

ebooklibonline@outlook.com