

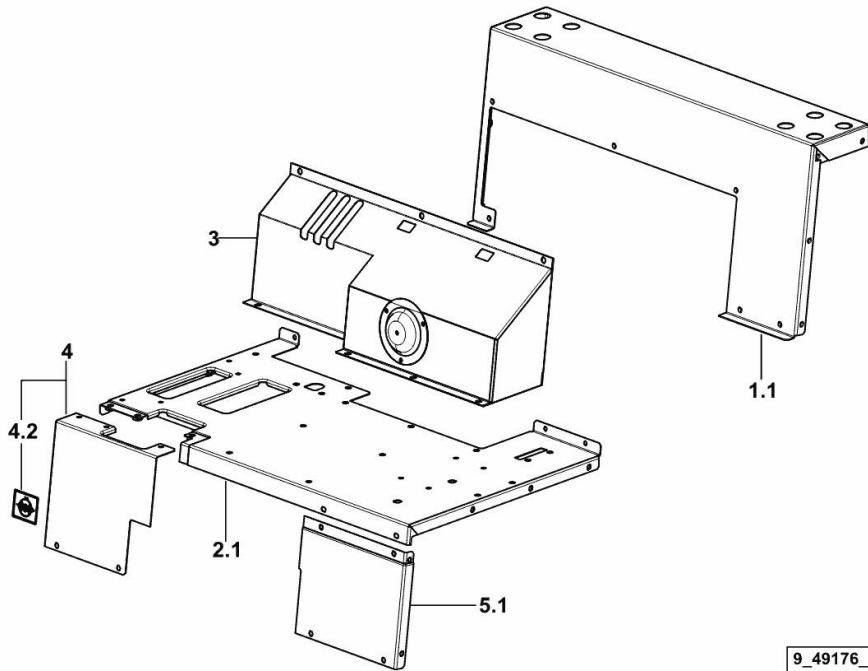
Section: G0 - BODYWORK - CAB  
**FOOT BOARD AND COVER**

Fig.	P/n	QTY	Name
------	-----	-----	------

**Notes:**

- FOR TYPES WITH ROLL BAR [AGROLUX 80 2WD] - FOR TYPES WITH ROLL BAR [AGROLUX 80 4WD]  
 - FOR TYPES WITHOUT SAFETY FRAME [AGROLUX 80 2WD] 1155 <- - FOR TYPES WITHOUT SAFETY  
 FRAME [AGROLUX 80 4WD] 1155 <-

1.1	0.008.0605.2	1	division
2.1	0.008.0604.2/30	1	division
3	0.009.3927.4/20	1	cover
4	0.009.9741.4/20	1	division dx/rh/re
4.2	0.007.7370.0/10	1	plate - DIFFERENTIAL BLOCKING
5.1	0.008.8245.2/30	1	division sx/lh/li



9\_49176\_01\_0-A-001

**FLOOR MATS AND COVER KIT**

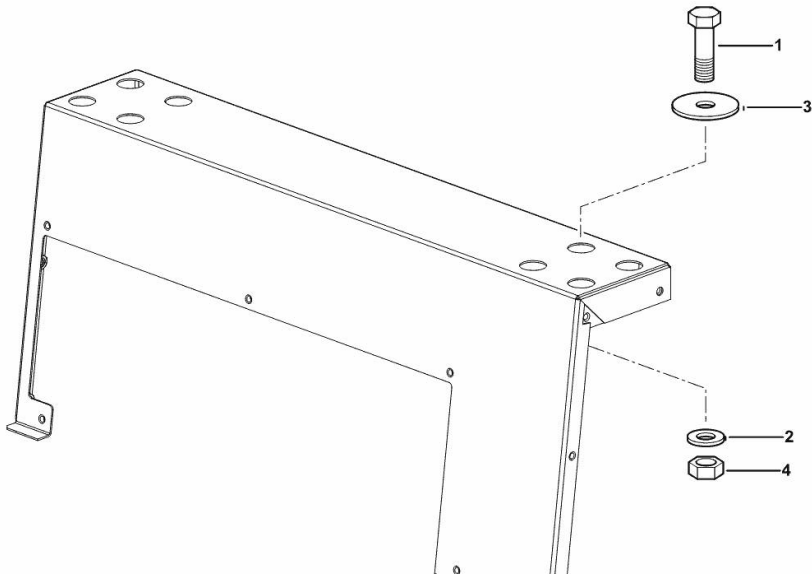
Fig.	P/n	QTY	Name
------	-----	-----	------

**Notes:**

- FOR TYPES WITHOUT SAFETY FRAME [AGROLUX 80 2WD] 1149 <- - FOR TYPES WITHOUT SAFETY FRAME [AGROLUX 80 4WD] 1149 <-

1	2.0122.470.2	8	screw m 12 p.1.25x55
2	2.1470.007.2	8	lock washer 12
3	2.1599.244.2	8	shoulder ring 12.5x40x3
4	2.1011.322.2	2	nut m 12 p.1.25

9\_50878\_06\_0-A-001



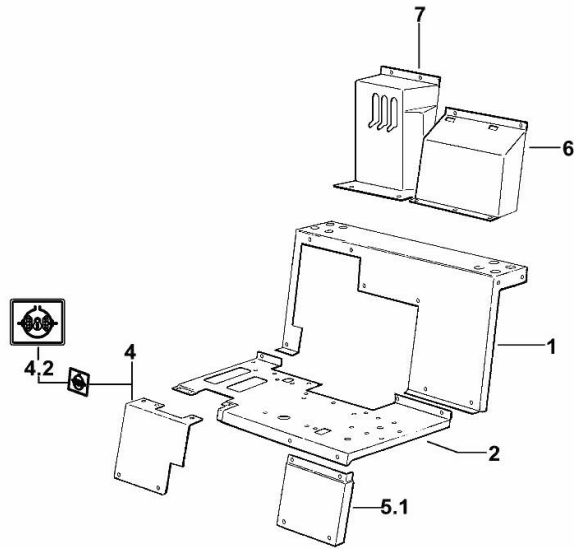
Section: G0 - BODYWORK - CAB  
**FOOT BOARD AND COVER**

Fig.	P/n	QTY	Name
------	-----	-----	------

**Notes:**

- WITH FOLD-DOWN ROPS [AGROLUX 80 2WD] - WITH FOLD-DOWN ROPS [AGROLUX 80 4WD]

1	0.010.5207.4	1	division
2	0.009.3928.4/10	1	division
4	0.009.9741.4/20	1	division dx/rh/re
4.2	0.007.7370.0/10	1	plate
5.1	0.008.8245.2/30	1	division sx/lh/li
6	0.010.5205.4/10	1	division
7	0.010.5206.4	1	cover



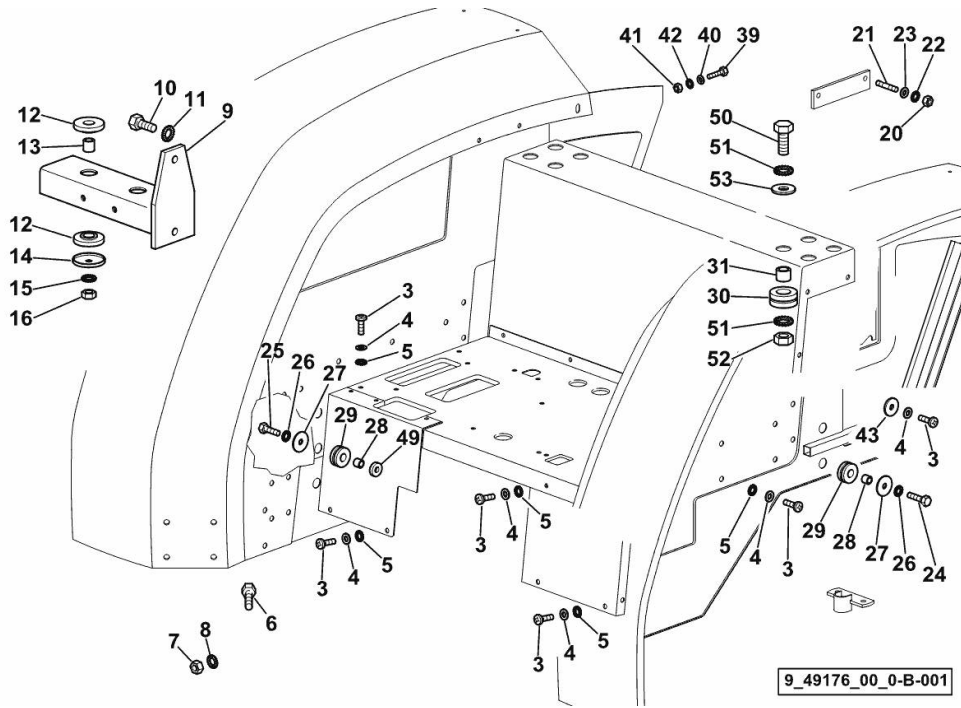
9\_67176\_01\_0-A-001

FENDER MOUNTINGS

Fig.	P/n	QTY	Name
------	-----	-----	------

Notes:

[AGROLUX 80 2WD] [AGROLUX 80 4WD]



3	2.0364.307.2	36	screw m 8 p.1.25 x 20
4	2.1310.004.2	28	flat washer 8.4x17
5	2.1470.004.2	36	lock washer 8
6	2.0112.307.2	6	screw m 10 p.1.5 x 20
7	2.1011.106.2	6	nut m 10 p.1.5
8	2.1470.006.2	6	lock washer 10
9	0.008.8185.2/40	2	plate
10	2.0112.411.2	4	screw m 12 p.1.75 x 30
11	2.1470.007.2	4	lock washer 12
12	0.467.7680.0	8	block
13	2.1579.879.2	4	spacer 12x20x19
14	0.243.7260.0/10	4	cup
15	2.1470.006.2	4	lock washer 10
16	2.1011.106.2	4	nut m 10 p.1.5
20	2.1011.105.2	8	nut m 8 p.1.25
21	2.0422.207.2	6	stud bolt m 8 p 1.25 x 30
22	2.1470.004.2	4	lock washer 8
23	2.1312.004.2	4	washer 8x24x2
24	2.0112.209.2	2	screw m 8 p 1.25 x 25
25	2.0112.211.2	2	screw m 8 p.1.25 x 30
26	2.1470.004.2	4	lock washer 8
27	2.1599.245.0	4	shoulder ring
28	2.1579.120.2	4	spacer 8.8x12x9.5
29	0.157.7693.0	4	rubber plug
30	0.007.5607.0	8	rubber plug
31	2.1549.153.2	8	spacer 14.1x21.3x16
39	2.0112.009.2	3	screw m 6 p.1 x 25
40	2.1310.002.2	3	flat washer 6.4x12.5
41	2.1011.103.2	3	nut m 6 p.1
42	2.1470.002.2	3	lock washer 6
43	2.1599.352.2	6	washer 8.5x28x2
49	2.1579.854.2	2	spacer 8.5x20x5
50	2.0123.521.2	12	screw m 14 p.1.5 x 60
51	2.1470.008.2	8	lock washer 14
52	2.1011.308.2	8	nut m 14 p.1.5
53	2.1599.450.0	8	shoulder ring 14.5x35x3

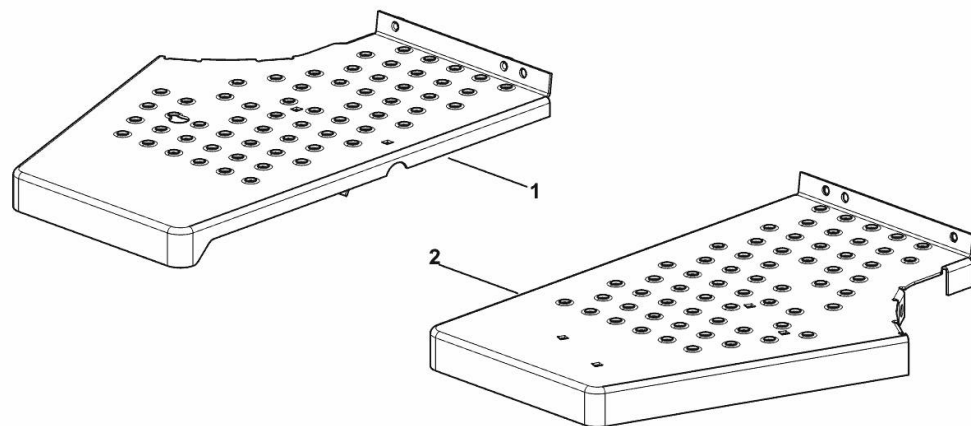
**FOOT BOARDS SX/LH/LI - DX/RH/RE**

Fig.	P/n	QTY	Name
------	-----	-----	------

**Notes:**

- FOR TYPES WITH TYRE SIZES 460/85R34"(18.4R34") [AGROLUX 80 2WD] - FOR TYPES WITH TYRE SIZES 460/85R34"(18.4R34") [AGROLUX 80 4WD]

1	0.010.0817.3/10	1	plate dx/rh/re
2	0.010.0818.3/10	1	foot board sx/lh/li



9\_67076\_04\_0-A-001

**FOOT BOARDS SX/LH/LI - DX/RH/RE**

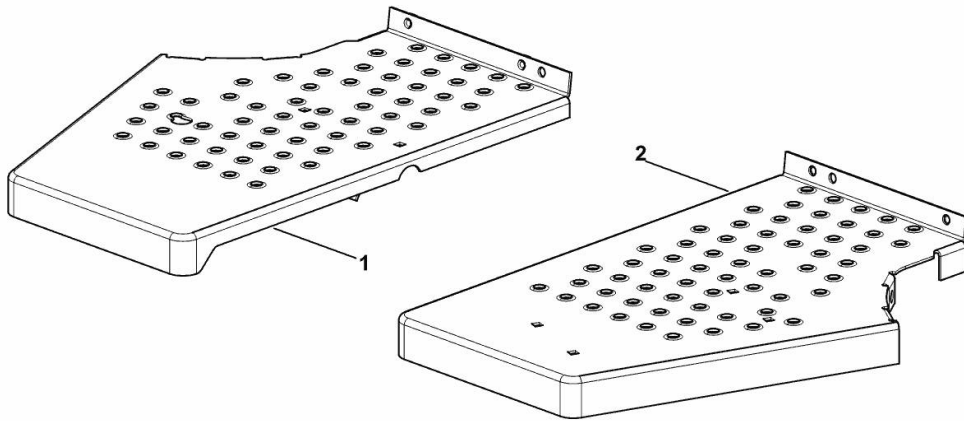
Fig.	P/n	QTY	Name
------	-----	-----	------

**Notes:**

[AGROLUX 80 2WD] [AGROLUX 80 4WD]

1	0.008.0626.2/10	1	division dx/rh/re
2	0.008.0627.2/10	1	foot board sx/lh/li

9\_49176\_04\_0-A-001



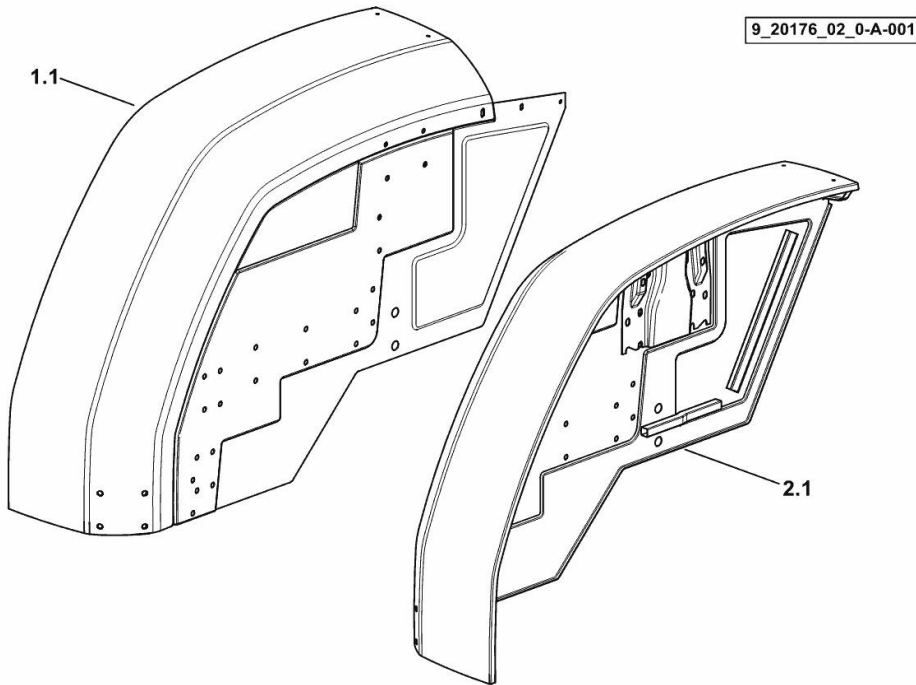
**REAR MUDGUARDS**

Fig.	P/n	QTY	Name
------	-----	-----	------

**Notes:**

- FOR TYPES WITH TYRE SIZES 460/85R34"(18.4R34") [AGROLUX 80 2WD] - FOR TYPES WITH TYRE SIZES 460/85R34"(18.4R34") [AGROLUX 80 4WD]

1.1	0.010.1105.3	1	fender dx/rh/re
2.1	0.010.1106.3	1	fender sx/lh/li



**Buy Now**



Our support email:

[ebooklibonline@outlook.com](mailto:ebooklibonline@outlook.com)