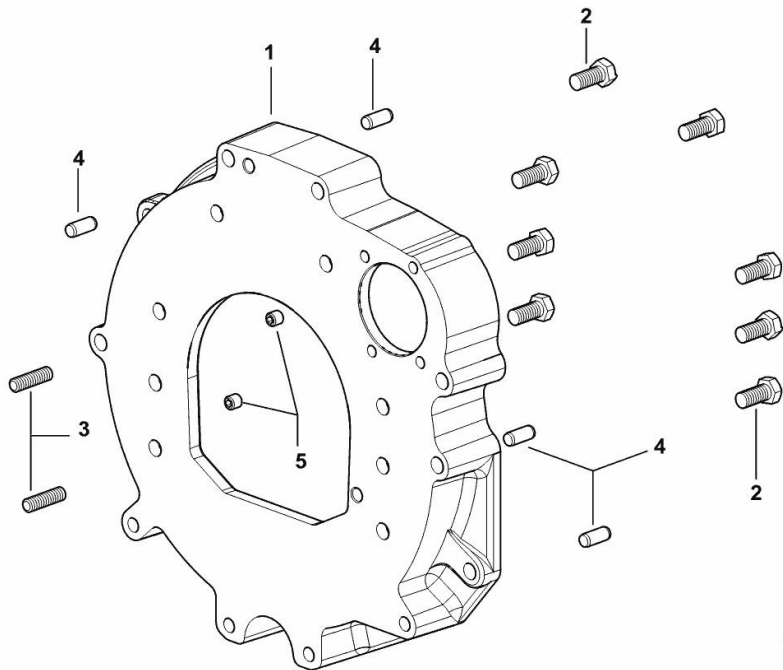


**MONOBLOC ENGINE-GEARBOX CONNECTING FLANGE**

| Fig. | P/n | QTY | Name |
|------|-----|-----|------|
|------|-----|-----|------|

Notes:  
[AGROMAXX 40]

|   |              |   |                               |
|---|--------------|---|-------------------------------|
| 1 | 0.015.8814.0 | 1 | flange                        |
| 2 | 2.0112.511.2 | 8 | screw m 14 p.2 x 30           |
| 3 | 2.0432.255.7 | 2 | stud bolt m 12 p.1.75-1.25x25 |
| 4 | 2.1651.912.0 | 4 | cylindrical plug 12x28        |
| 5 | 2.0512.404.7 | 2 | screw                         |

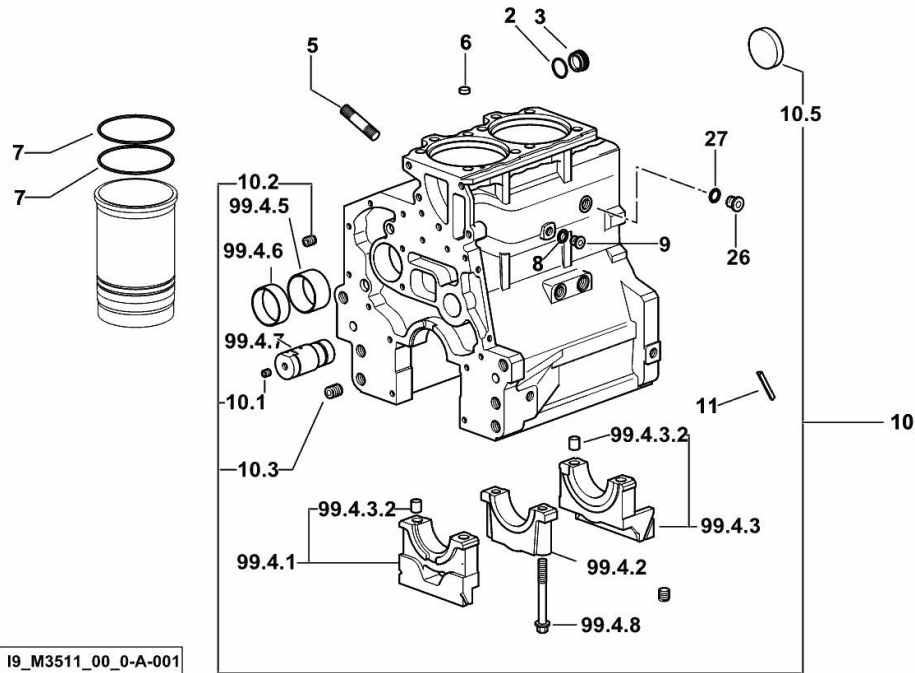


**CRANKCASE**

| Fig. | P/n | QTY | Name |
|------|-----|-----|------|
|------|-----|-----|------|

Notes:  
[AGROMAXX 40]

|          |                 |   |                                 |
|----------|-----------------|---|---------------------------------|
| 2        | 2.1532.072.0    | 1 | oil seal 26.70x1.78             |
| 3        | 2.3199.405.2    | 1 | plug m 28 p.1.5                 |
| 5        | 2.0432.003.7    | 6 | stud bolt m 8 p.1.25 / p.1 x 20 |
| 6        | 2.1559.188.2    | 2 | bush 11.4 x 14 x16              |
| 7        | 2.1539.259.0    | 4 | special oil seal 107.62x2.62    |
| 8        | 2.1560.010.0    | 1 | gasket 14.2 x 20                |
| 9        | 2.3199.292.0    | 1 | plug 1/4" gas                   |
| 10       | 0.012.9781.4/20 | 1 | crankcase                       |
| 10.1     | 2.3130.001.1    | 7 | plug 1/8" gas                   |
| 10.2     | 2.3130.002.1    | 2 | plug 1/4" gas                   |
| 10.3     | 2.3130.003.1    | 2 | plug 3/8" gas                   |
| 10.5     | 2.3179.012.0    | 1 | plug 60                         |
| 11       | 0.066.1152.0/10 | 4 | gasket                          |
| 26       | 2.3120.101.0    | 1 | plug m 18 p.1.5                 |
| 27       | 2.1560.014.0    | 1 | washer 18.2 x 24                |
| 99.4.1   | 0.065.1112.3    | 1 | support                         |
| 99.4.2   | 0.065.1114.0/10 | 1 | support                         |
| 99.4.3   | 0.065.1116.3    | 1 | support                         |
| 99.4.3.2 | 2.1699.165.0    | 1 | bush 12.3x15x16                 |
| 99.4.5   | 0.012.0829.0    | 1 | special bushing 59X55X20        |
| 99.4.6   | 0.012.0830.0    | 1 | special bushing 59X55X30        |
| 99.4.7   | 0.014.1340.0/10 | 1 | pin mm 85                       |
| 99.4.8   | 0.065.1117.0    | 1 | screw m 12 x 100                |



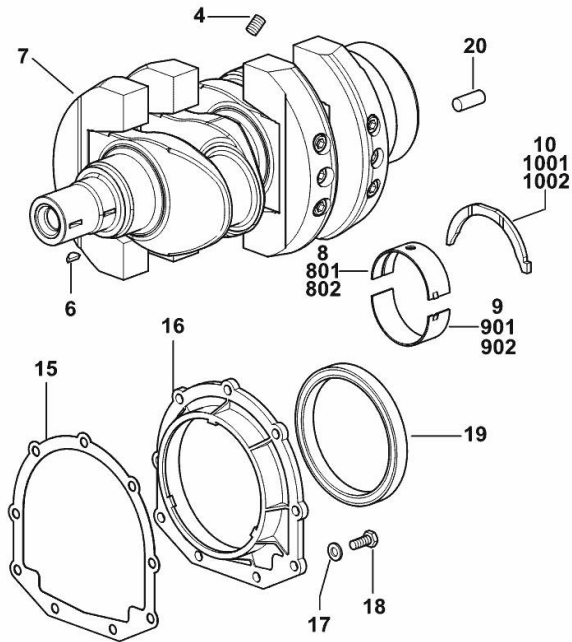
**CRANKSHAFT**

| Fig. | P/n | QTY | Name |
|------|-----|-----|------|
|------|-----|-----|------|

**Notes:**

[AGROMAXX 40]

|      |                 |   |                             |
|------|-----------------|---|-----------------------------|
| 4    | 2.3130.001.1    | 3 | plug 1/8" gas               |
| 6    | 2.1720.006.0    | 2 | key 4x6.5                   |
| 7    | 0.012.9799.3/30 | 1 | crankshaft                  |
| 8    | 0.065.1215.0/10 | 3 | main half bushing STANDARD  |
| 9    | 0.065.1216.0/10 | 3 | main half bushing STANDARD  |
| 10   | 0.065.1218.0    | 4 | shim STANDARD               |
| 15   | 0.065.1254.0/20 | 1 | gasket                      |
| 16   | 0.007.1711.0/10 | 1 | cover                       |
| 17   | 2.1475.002.2    | 9 | conical washer 8            |
| 18   | 2.0112.207.2    | 9 | screw m 8 p 1.25 x 20       |
| 19   | 2.1529.073.0    | 1 | special oil seal 110x130x13 |
| 20   | 2.1652.915.0    | 1 | cylindrical plug 12x35      |
| 801  | 0.065.1215.7    | 1 | main half bushing - mm 0.25 |
| 802  | 0.065.1215.8    | 1 | main half bushing - mm 0.50 |
| 901  | 0.065.1216.7    | 1 | main half bushing - mm 0.25 |
| 902  | 0.065.1216.8    | 1 | main half bushing - mm 0.50 |
| 1001 | 0.065.1218.7    | 1 | shim + mm 0.10              |
| 1002 | 0.065.1218.8    | 1 | shim + mm 0.15              |



19\_M3512\_00\_0-A-001

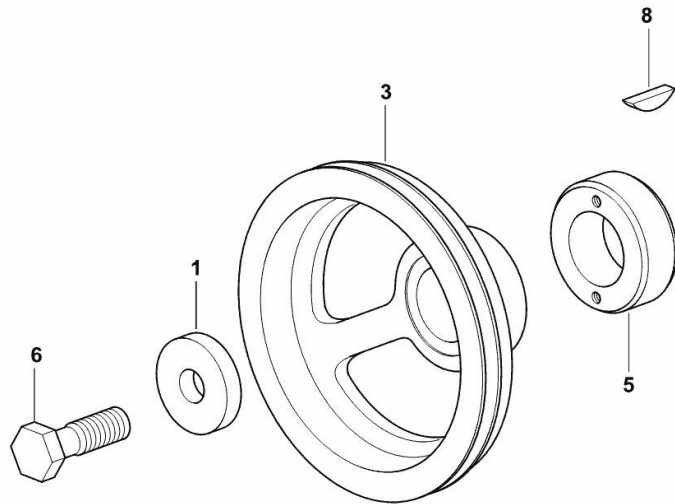
**CRANKSHAFT PULLEY**

| Fig. | P/n | QTY | Name |
|------|-----|-----|------|
|------|-----|-----|------|

**Notes:**

[AGROMAXX 40]

|   |                 |   |                     |
|---|-----------------|---|---------------------|
| 1 | 2.1599.524.7    | 1 | washer 21x60x12     |
| 3 | 0.014.5093.0    | 1 | pulley ( -> 12123 ) |
| 5 | 0.085.1248.0/20 | 1 | hub ( -> 12123 )    |
| 6 | 2.0399.144.7/10 | 1 | screw m 20 p.1.5x51 |
| 8 | 2.1720.006.0    | 1 | key 4x6.5           |



19\_M3512\_04\_0-A-001

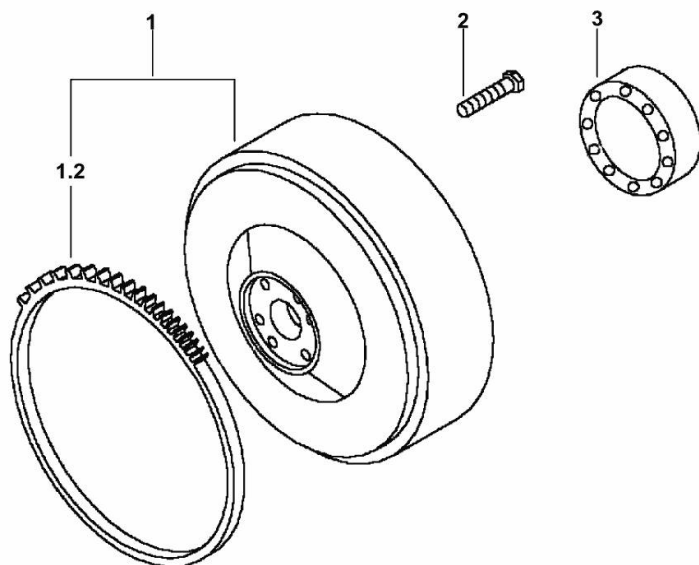
**ENGINE FLYWHEEL**

| Fig. | P/n | QTY | Name |
|------|-----|-----|------|
|------|-----|-----|------|

**Notes:**

[AGROMAXX 40]

|     |                 |   |                       |
|-----|-----------------|---|-----------------------|
| 1   | 0.017.8800.3    | 1 | flywheel              |
| 1.2 | 0.069.1242.0    | 1 | crown wheel Z = 121   |
| 2   | 2.0119.174.0/10 | 6 | screw m 12 p.1.25x45  |
| 3   | 2.2041.008.9    | 1 | ball bearing 20x47x14 |



19\_M3512\_07\_0-A-001

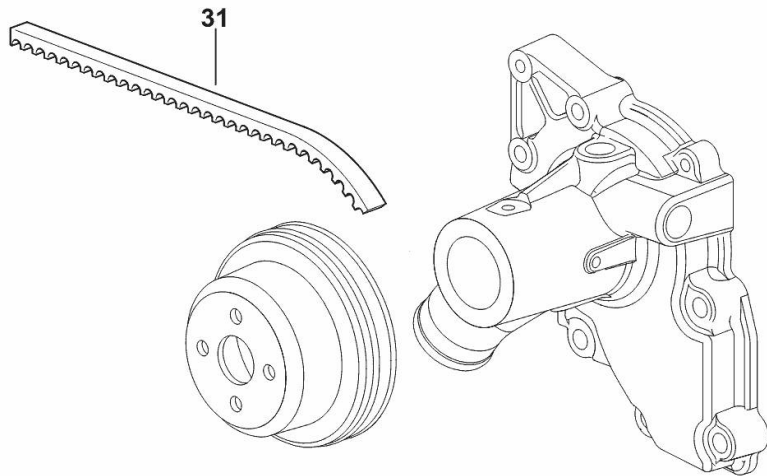
**COOLANT PUMP DRIVEBELT**

| Fig. | P/n | QTY | Name |
|------|-----|-----|------|
|------|-----|-----|------|

**Notes:**

[AGROMAXX 40]

|    |              |   |                                       |
|----|--------------|---|---------------------------------------|
| 31 | 2.4119.198.0 | 1 | vee belt AV 10.7x1240 mm ( -> 12123 ) |
|----|--------------|---|---------------------------------------|



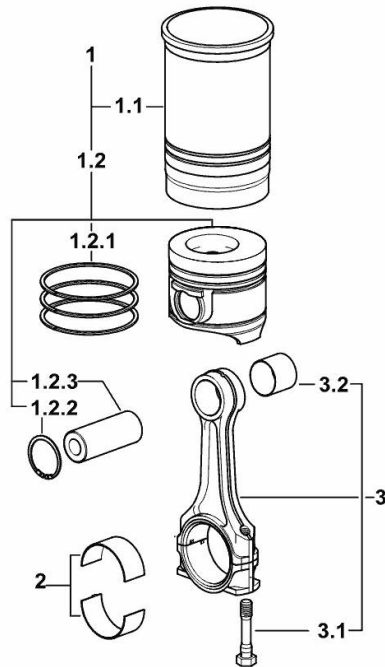
19\_38519\_11\_0-B-001

**CYLINDER - PISTON - CONNECTING ROD**

| Fig. | P/n | QTY | Name |
|------|-----|-----|------|
|------|-----|-----|------|

Notes:  
[AGROMAXX 40]

|       |                 |   |  |
|-------|-----------------|---|--|
| 1     | 0.386.0065.A    | 3 | cyl. piston assembly "A"<br>- CLASS A              |
| 1     | 0.386.0065.B    | 3 | cyl. piston assembly "B"<br>- CLASS B              |
| 1.1   | 0.A12.2675.0    | 1 | engine cylinder "A"<br>- CLASS A                   |
| 1.1   | 0.B12.2675.0    | 1 | engine cylinder "B"<br>- CLASS B                   |
| 1.2   | 0.379.0060.A    | 1 | complete piston "A"<br>- CLASS A                   |
| 1.2   | 0.379.0060.B    | 1 | complete piston "B"<br>- CLASS B                   |
| 1.2.1 | 0.086.0052.6/10 | 1 | piston ring set                                    |
| 1.2.2 | 2.1411.014.1    | 1 | circlip 35   |
| 1.2.3 | 0.078.1236.0    | 1 | piston pin Ø 18 / Ø 35 / L = mm 86                 |
| 2     | 0.065.1225.0    | 6 | con.rod half bushing STANDARD - A = 28.75 -> 29.00 |
| 2     | 0.065.1225.7    | 6 | con.rod half bushing - mm 0.25                     |
| 2     | 0.065.1225.8    | 6 | con.rod half bushing - mm 0.50                     |
| 3     | 0.078.1220.3/30 | 1 | engine connecting rod                              |
| 3.1   | 2.0399.213.0    | 2 | screw m 12 p.1.25x61.5                             |
| 3.2   | 2.1559.114.0/10 | 1 | special bushing                                    |



I9\_M3512\_01\_M-A-001

**Buy Now**



Our support email:

[ebooklibonline@outlook.com](mailto:ebooklibonline@outlook.com)