

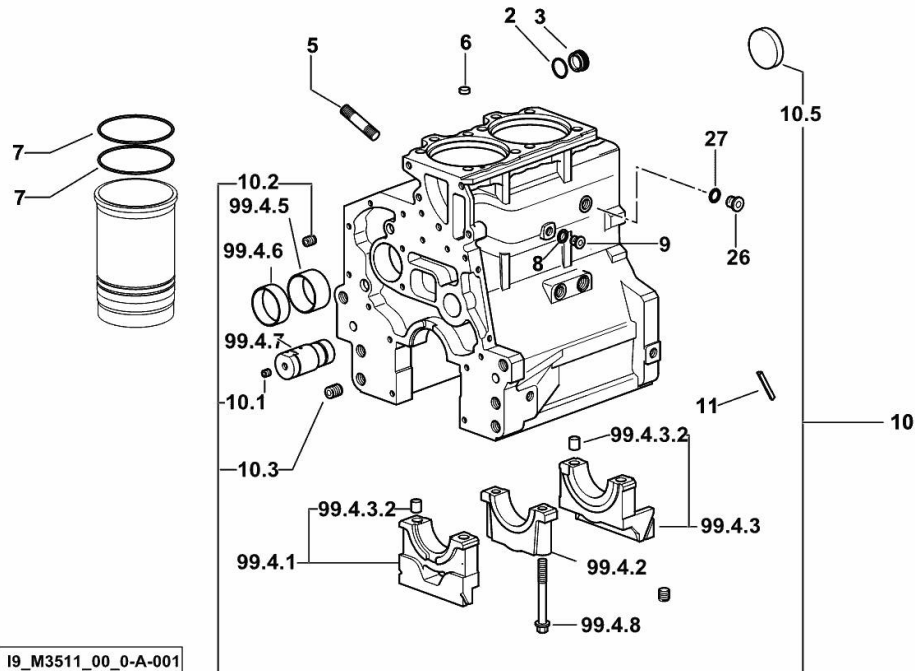
**CRANKCASE**

Fig.	P/n	QTY	Name
------	-----	-----	------

**Notes:**

[AGROMAXX 40 LD 2WD]

2	2.1532.072.0	1	oil seal 26.70x1.78
3	2.3199.405.2	1	plug m 28 p.1.5
5	2.0432.003.7	6	stud bolt m 8 p.1.25 / p.1 x 20
6	2.1559.188.2	2	bush 11.4 x 14 x16
7	2.1539.259.0	4	special oil seal 107.62x2.62
8	2.1560.010.0	1	gasket 14.2 x 20
9	2.3199.292.0	1	plug 1/4" gas
10	0.012.9781.4/20	1	crankcase
10.1	2.3130.001.1	7	plug 1/8" gas
10.2	2.3130.002.1	2	plug 1/4" gas
10.3	2.3130.003.1	2	plug 3/8" gas
10.5	2.3179.012.0	1	plug 60
11	0.066.1152.0/10	4	gasket
26	2.3120.101.0	1	plug m 18 p.1.5
27	2.1560.014.0	1	washer 18.2 x 24
99.4.1	0.065.1112.3	1	support
99.4.2	0.065.1114.0/10	1	support
99.4.3	0.065.1116.3	1	support
99.4.3.2	2.1699.165.0	1	bush 12.3x15x16
99.4.5	0.012.0829.0	1	special bushing 59X55X20
99.4.6	0.012.0830.0	1	special bushing 59X55X30
99.4.7	0.014.1340.0/10	1	pin mm 85
99.4.8	0.065.1117.0	1	screw m 12 x 100



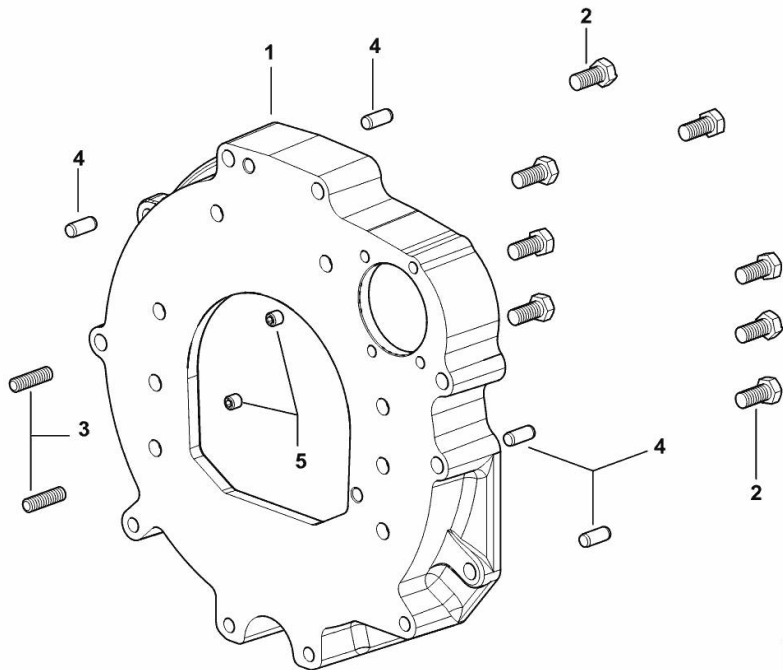
**MONOBLOC ENGINE-GEARBOX CONNECTING FLANGE**

Fig.	P/n	QTY	Name
------	-----	-----	------

**Notes:**

[AGROMAXX 40 LD 2WD]

1	0.015.8814.0	1	flange
2	2.0112.511.2	8	screw m 14 p.2 x 30
3	2.0432.255.7	2	stud bolt m 12 p.1.75-1.25x25
4	2.1651.912.0	4	cylindrical plug 12x28
5	2.0512.404.7	2	screw



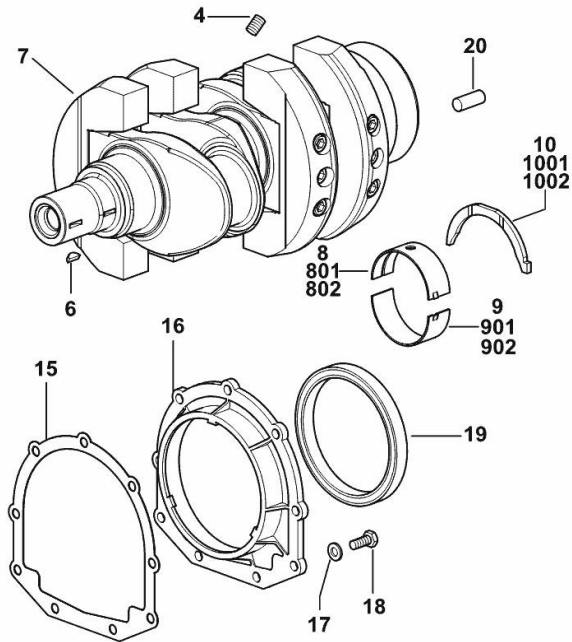
**CRANKSHAFT**

Fig.	P/n	QTY	Name
------	-----	-----	------

**Notes:**

[AGROMAXX 40 LD 2WD]

4	2.3130.001.1	3	plug 1/8" gas
6	2.1720.006.0	2	key 4x6.5
7	0.012.9799.3/30	1	crankshaft
8	0.065.1215.0/10	3	main half bushing STANDARD
9	0.065.1216.0/10	3	main half bushing STANDARD
10	0.065.1218.0	4	shim STANDARD
15	0.065.1254.0/20	1	gasket
16	0.007.1711.0/10	1	cover
17	2.1475.002.2	9	conical washer 8
18	2.0112.207.2	9	screw m 8 p 1.25 x 20
19	2.1529.073.0	1	special oil seal 110x130x13
20	2.1652.915.0	1	cylindrical plug 12x35
801	0.065.1215.7	1	main half bushing - mm 0.25
802	0.065.1215.8	1	main half bushing - mm 0.50
901	0.065.1216.7	1	main half bushing - mm 0.25
902	0.065.1216.8	1	main half bushing - mm 0.50
1001	0.065.1218.7	1	shim + mm 0.10
1002	0.065.1218.8	1	shim + mm 0.15



19\_M3512\_00\_0-A-001

Section: B0 - ENGINE

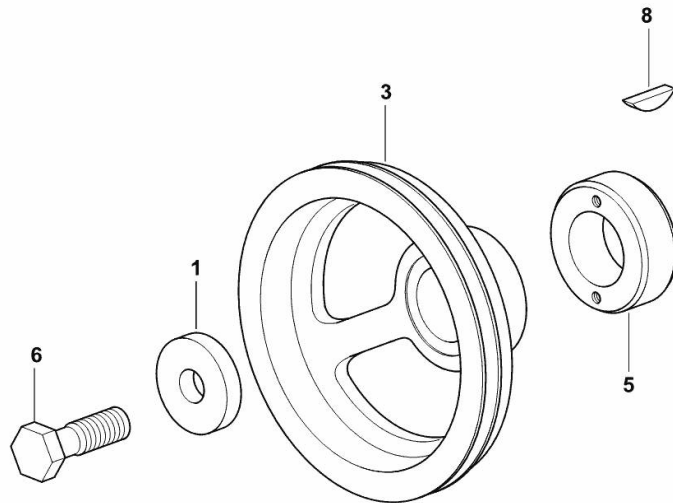
**CRANKSHAFT PULLEY**

Fig.	P/n	QTY	Name
------	-----	-----	------

**Notes:**

[AGROMAXX 40 LD 2WD]

1	2.1599.524.7	1	washer 21x60x12
3	0.014.5093.0	1	pulley ( -> 10674 )
5	0.085.1248.0/20	1	hub ( -> 10674 )
6	2.0399.144.7/10	1	screw m 20 p.1.5x51
8	2.1720.006.0	1	key 4x6.5



19\_M3512\_04\_0-A-001

Section: B0 - ENGINE

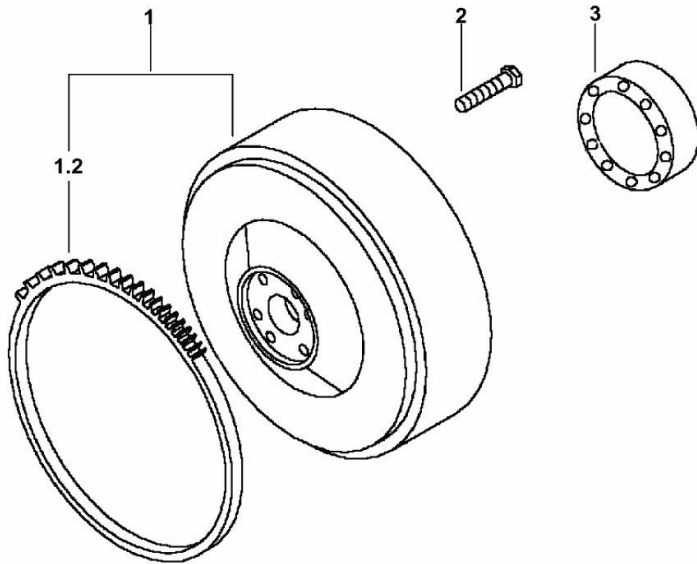
**ENGINE FLYWHEEL**

Fig.	P/n	QTY	Name
------	-----	-----	------

**Notes:**

[AGROMAXX 40 LD 2WD]

1	0.017.8800.3	1	flywheel
1.2	0.069.1242.0	1	crown wheel Z = 121
2	2.0119.174.0/10	6	screw m 12 p.1.25x45
3	2.2041.008.9	1	ball bearing 20x47x14



19\_M3512\_07\_0-A-001

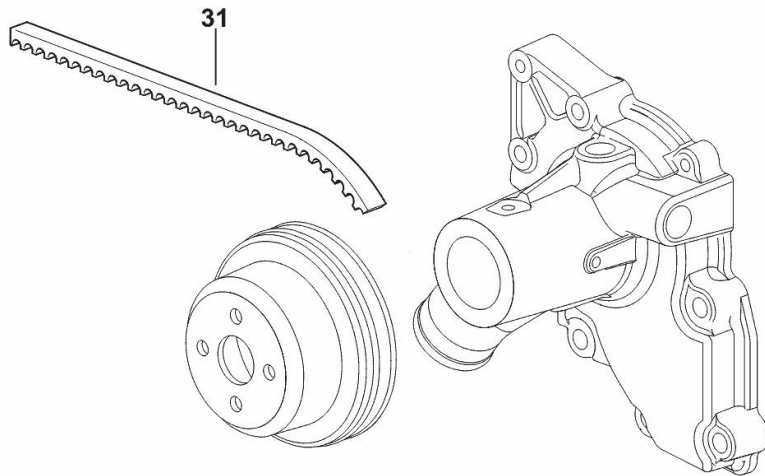
**COOLANT PUMP DRIVEBELT**

Fig.	P/n	QTY	Name
------	-----	-----	------

**Notes:**

[AGROMAXX 40 LD 2WD]

31	2.4119.198.0	1	vee belt AV 10.7x1240 mm (-> 10674 )
----	--------------	---	--------------------------------------



19\_38519\_11\_0-B-001

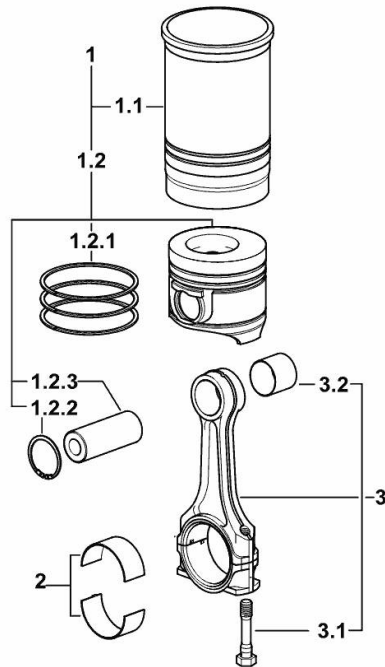
**CYLINDER - PISTON - CONNECTING ROD**

Fig.	P/n	QTY	Name
------	-----	-----	------

**Notes:**

[AGROMAXX 40 LD 2WD]

1	0.386.0065.A	3	cyl. piston assembly "A" - CLASS A
1	0.386.0065.B	3	cyl. piston assembly "B" - CLASS B
1.1	0.A12.2675.0	1	engine cylinder "A" - CLASS A
1.1	0.B12.2675.0	1	engine cylinder "B" - CLASS B
1.2	0.379.0060.A	1	complete piston "A" - CLASS A
1.2	0.379.0060.B	1	complete piston "B" - CLASS B
1.2.1	0.086.0052.6/10	1	piston ring set
1.2.2	2.1411.014.1	1	circlip 35
1.2.3	0.078.1236.0	1	piston pin Ø 18 / Ø 35 / L = mm 86
2	0.065.1225.0	6	con.rod half bushing STANDARD - A = 28.75 -> 29.00
2	0.065.1225.7	6	con.rod half bushing - mm 0.25
2	0.065.1225.8	6	con.rod half bushing - mm 0.50
3	0.078.1220.3/30	1	engine connecting rod
3.1	2.0399.213.0	2	screw m 12 p.1.25x61.5
3.2	2.1559.114.0/10	1	special bushing



I9\_M3512\_01\_M-A-001

**Buy Now**



Our support email:

[ebooklibonline@outlook.com](mailto:ebooklibonline@outlook.com)