

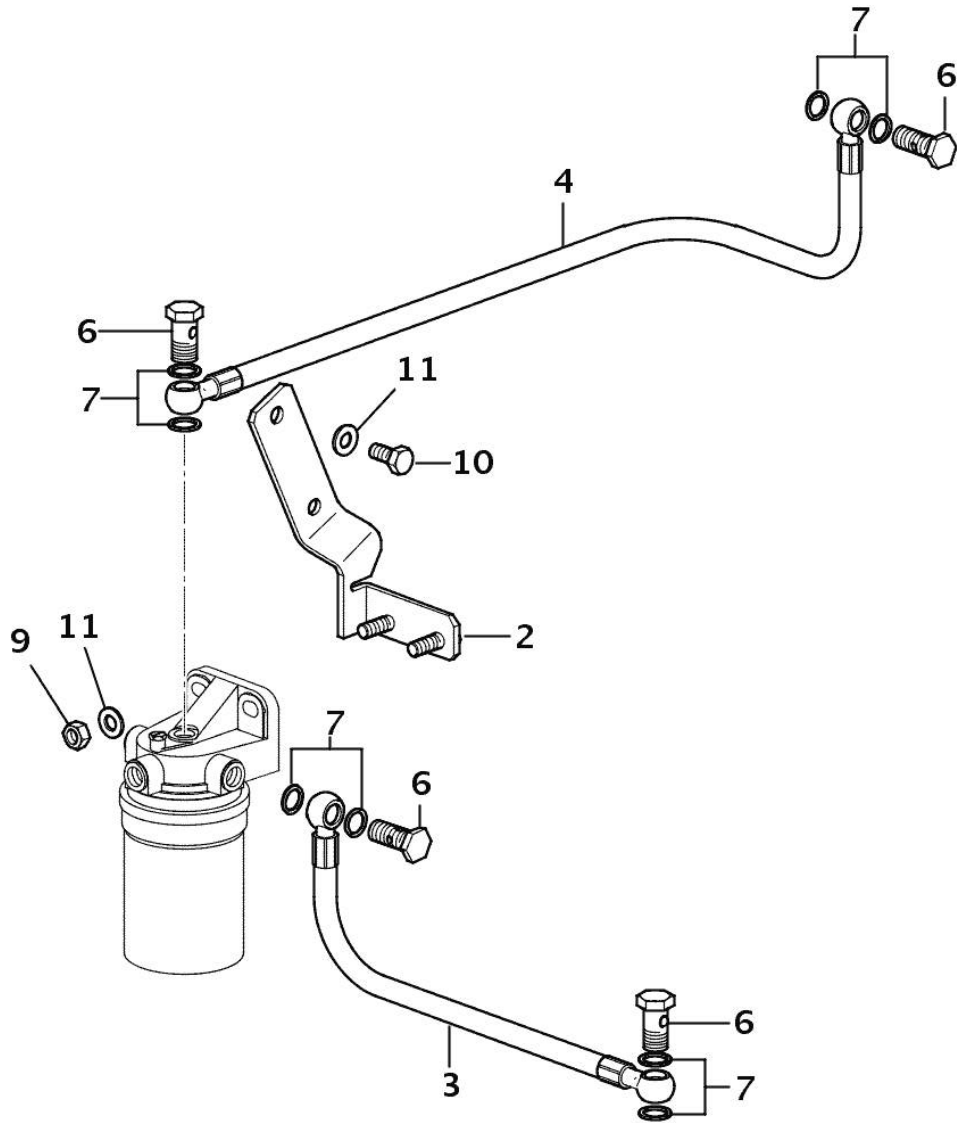
Section: ENGINE

**FUEL PIPES**

Fig.	P/n	QTY	Name
------	-----	-----	------

Notes:  
[Agroplus 85]

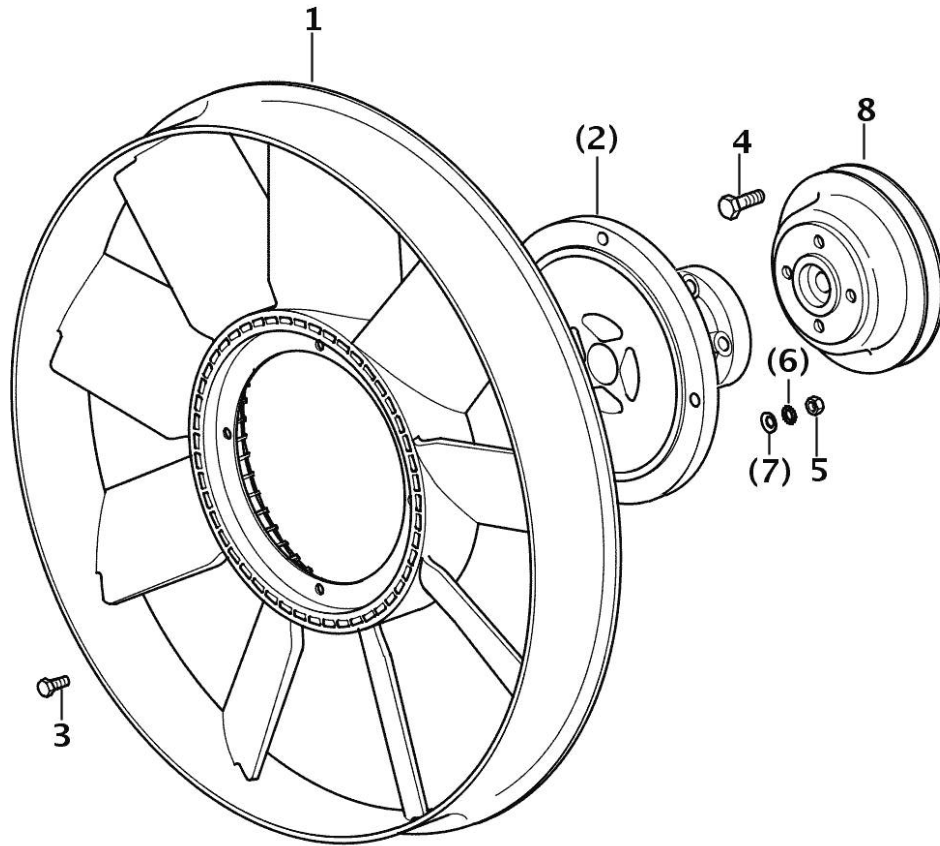
2	0.010.9435.3/10	1	support
3	0.010.9530.3	1	tube
4	0.010.9531.3	1	tube
6	2.3332.004.1	4	pipe union m 14 p.1.5
7	2.1560.010.0	8	gasket 14.2 x 20
9	2.1011.106.2	2	nut m 10 p.1.5
10	2.0112.308.2	2	screw m 10 p.1.5x22
11	2.1310.006.2	4	flat washer 10.5x21



9\_39719\_03\_0\_0

Section: ENGINE

FAN UNIT



9\_39819\_01\_0\_

Fig.	P/n	QTY	Name
<b>Notes:</b> [Agroplus 85]			
1	0.010.9778.0	1	fan 1545 <- X Agroplus 85 1396 <- X Agroplus 95 1342 <- X Agroplus 100
1	04411970	1	impeller -> 1546 X Agroplus 85 -> 1397 X Agroplus 95 -> 1343 X Agroplus 100
2	0.010.9743.0	1	hub 1545 <- X Agroplus 85 1396 <- X Agroplus 95 1342 <- X Agroplus 100
2	04207957	1	hub -> 1546 - 2565 <- X Agroplus 85 -> 1397 - 1712 <- X Agroplus 95 -> 1343 - 1722 <- X Agroplus 100
3	2.0112.005.2	4	screw m 6 p.1 x 16 -> 1546 - 1897 <- X Agroplus 85 -> 1397 - 1529 <- X Agroplus 95 -> 1343 - 1550 <- X Agroplus 100
3	2.0112.007.2	4	screw m 6 p.1 x 20 -> 1898 X Agroplus 85 -> 1530 X Agroplus 95 -> 1551 X Agroplus 100
3	2.0432.003.7	4	stud bolt m 8 p.1.25 / p.1 x 20 1545 <- X Agroplus 85 1396 <- X Agroplus 95 1342 <- X Agroplus 100
4	2.0112.209.2	4	screw m 8 p 1.25 x 25 -> 1546 X Agroplus 85 -> 1397 X Agroplus 95 -> 1343 X Agroplus 100
4	2.0312.214.2	4	screw m 8 p.1.25 x 40 1545 <- X Agroplus 85 1396 <- X Agroplus 95 1342 <- X Agroplus 100
5	2.1011.003.2	4	nut m 6 p.1, d934 -> 1546 X Agroplus 85 -> 1397 X Agroplus 95 -> 1343 X Agroplus 100
5	2.1011.405.2	4	nut m 8 p.1

**FAN UNIT**

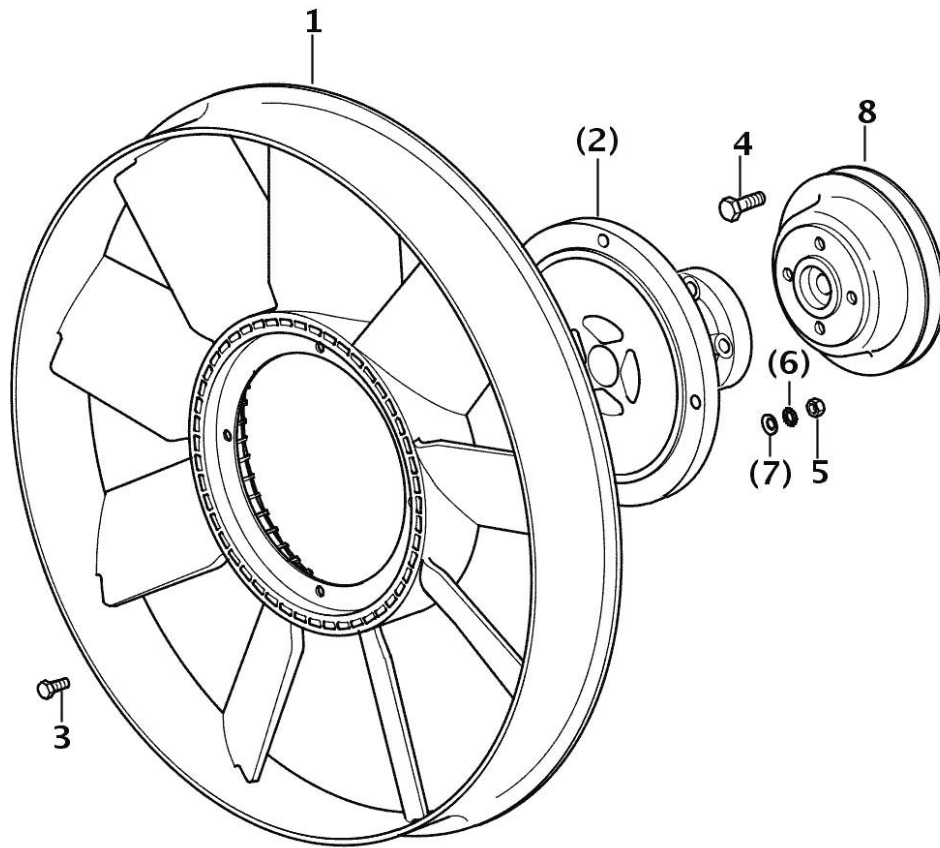


Fig.	P/n	QTY	Name
			1545 <- X Agroplus 85
			1396 <- X Agroplus 95
			1342 <- X Agroplus 100
6	2.1470.004.2	4	lock washer 8
			1545 <- X Agroplus 85
			1396 <- X Agroplus 95
			1342 <- X Agroplus 100
7	2.1480.014.1	4	washer 8
			1545 <- X Agroplus 85
			1396 <- X Agroplus 95
			1342 <- X Agroplus 100
8	0.011.0807.0/10	1	pulley

9\_39819\_01\_0\_

**V-BELT - FOR TRACTORS WITHOUT AIR CONDITIONING**

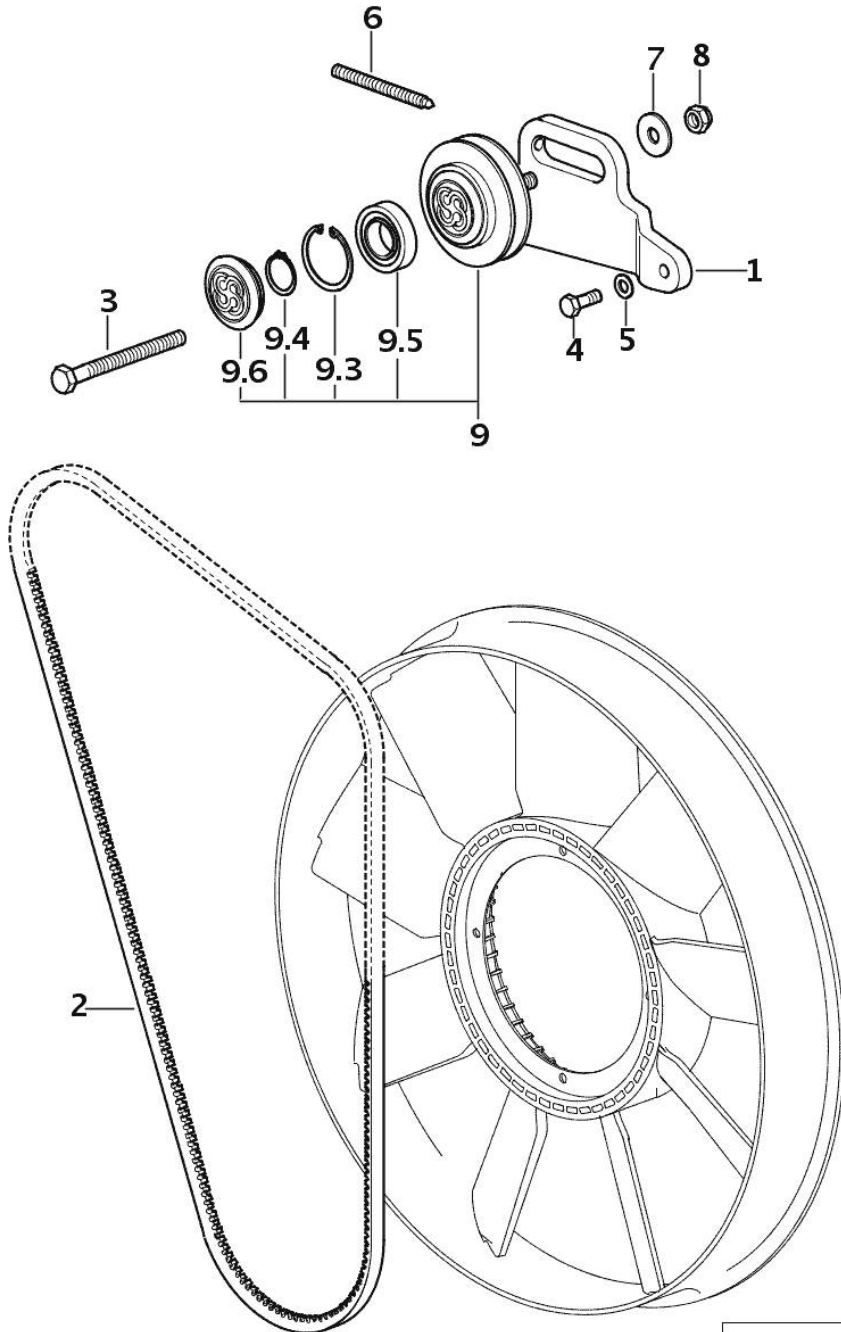


Fig.	P/n	QTY	Name
<b>Notes:</b> [Agroplus 85]			
1	0.011.3985.2	1	plate -> 1273 X Agroplus 75 -> 1376 X Agroplus 85 -> 1296 X Agroplus 95 -> 1223 X Agroplus 100
1	04412989	1	bracket 1272 <- X Agroplus 75 1375 <- X Agroplus 85 1295 <- X Agroplus 95 1222 <- X Agroplus 100
2	0.007.0967.0	1	belt AV 12.7x1470 mm -> 1273 X Agroplus 75 -> 1376 X Agroplus 85 -> 1296 X Agroplus 95 -> 1223 X Agroplus 100
2	2.4119.123.0	1	belt mm 12.7x1525 1272 <- X Agroplus 75 1375 <- X Agroplus 85 1295 <- X Agroplus 95 1222 <- X Agroplus 100
3	2.0112.331.2	1	screw m 10 p.1.5x110 -> 1273 X Agroplus 75 -> 1376 X Agroplus 85 -> 1296 X Agroplus 95 -> 1223 X Agroplus 100
3	2.0112.333.2	1	screw m 10 p.1.5x120 1272 <- X Agroplus 75 1375 <- X Agroplus 85 1295 <- X Agroplus 95 1222 <- X Agroplus 100
4	2.0122.209.2	1	screw m 8 p.1 x 25
5	2.1310.004.2	1	flat washer 8.4x17
6	2.0399.221.2	1	screw m 8 p.1.25 x 95 -> 1273 X Agroplus 75 -> 1376 X Agroplus 85 -> 1296 X Agroplus 95 -> 1223 X Agroplus 100
7	2.1579.520.0	1	washer -> 1273 X Agroplus 75 -> 1376 X Agroplus 85 -> 1296 X Agroplus 95

**V-BELT - FOR TRACTORS WITHOUT AIR CONDITIONING**

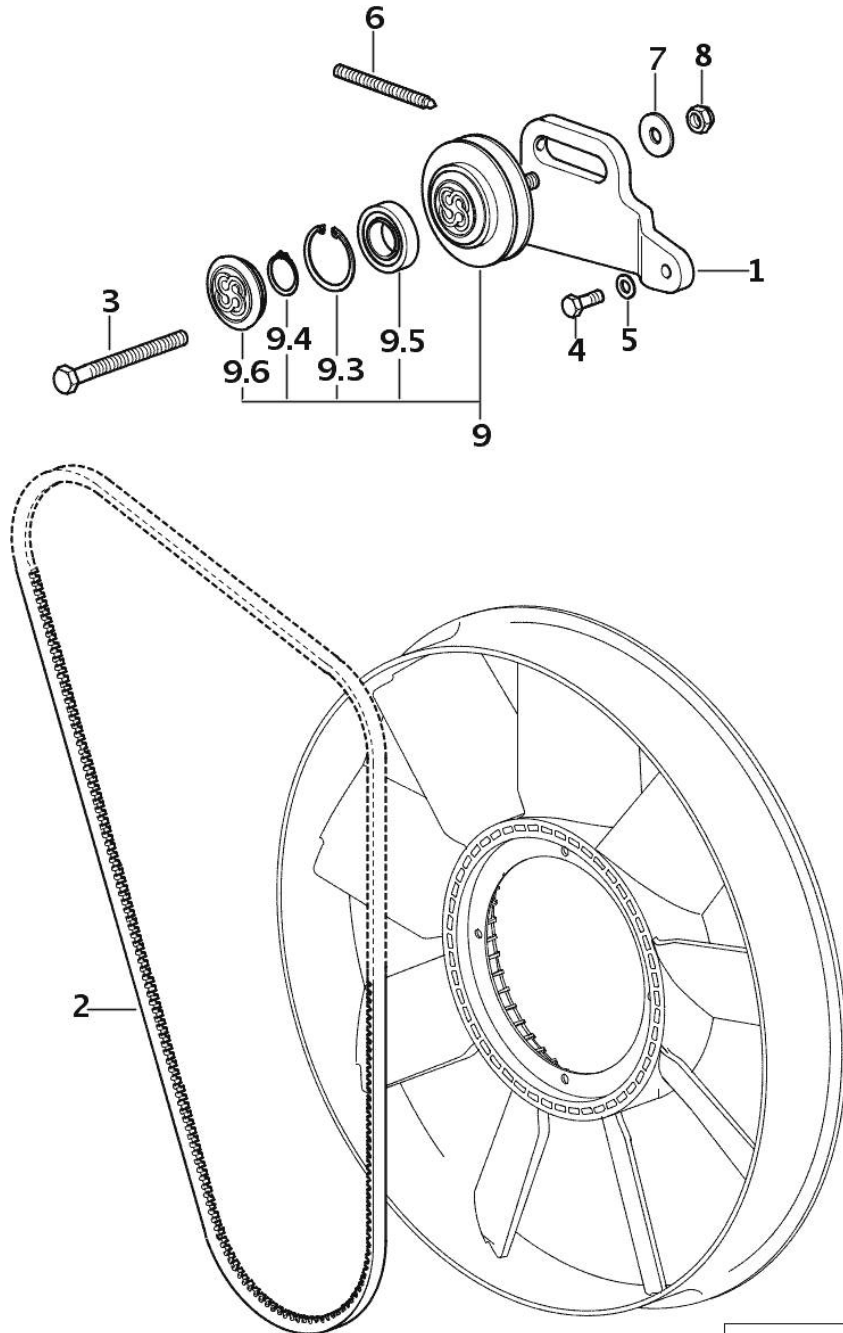


Fig.	P/n	QTY	Name
8	2.1120.221.2	1	-> 1223 X Agroplus 100 self-locking nut m 10 p.1.25 -> 1273 X Agroplus 75 -> 1376 X Agroplus 85 -> 1296 X Agroplus 95 -> 1223 X Agroplus 100
9	0.010.4406.4	1	pulley guide -> 1273 X Agroplus 75 -> 1376 X Agroplus 85 -> 1296 X Agroplus 95 -> 1223 X Agroplus 100
9.3	2.1411.019.1	1	circlip 47
9.4	2.1410.010.1	1	circlip 25
9.5	2.2999.330.0	1	special bearing 25 x 47 x 12
9.6	2.3199.089.0	1	small cover

9\_39719\_01\_0\_

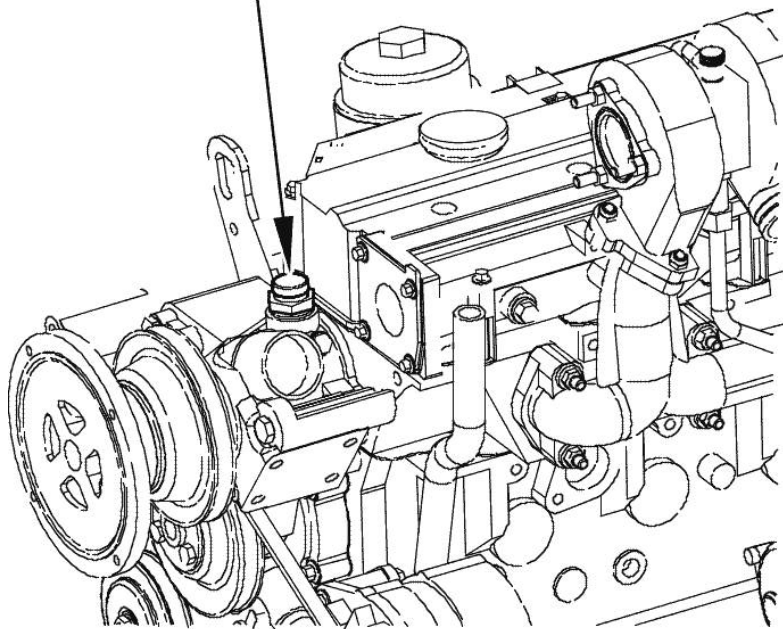
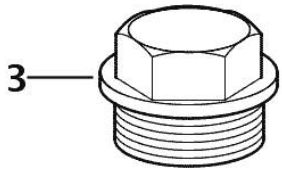
**PLUGS FOR HEATING WATER INLET/OUTLET HOLES**

Fig.	P/n	QTY	Name
------	-----	-----	------

**Notes:**

- FOR MODELS WITHOUT CAB [Agroplus 85]

3	2.3119.043.2	2	plug m 26 p.1.5
---	--------------	---	-----------------



9\_77876\_03\_0\_1

Section: ENGINE

**INTERCOOLER**

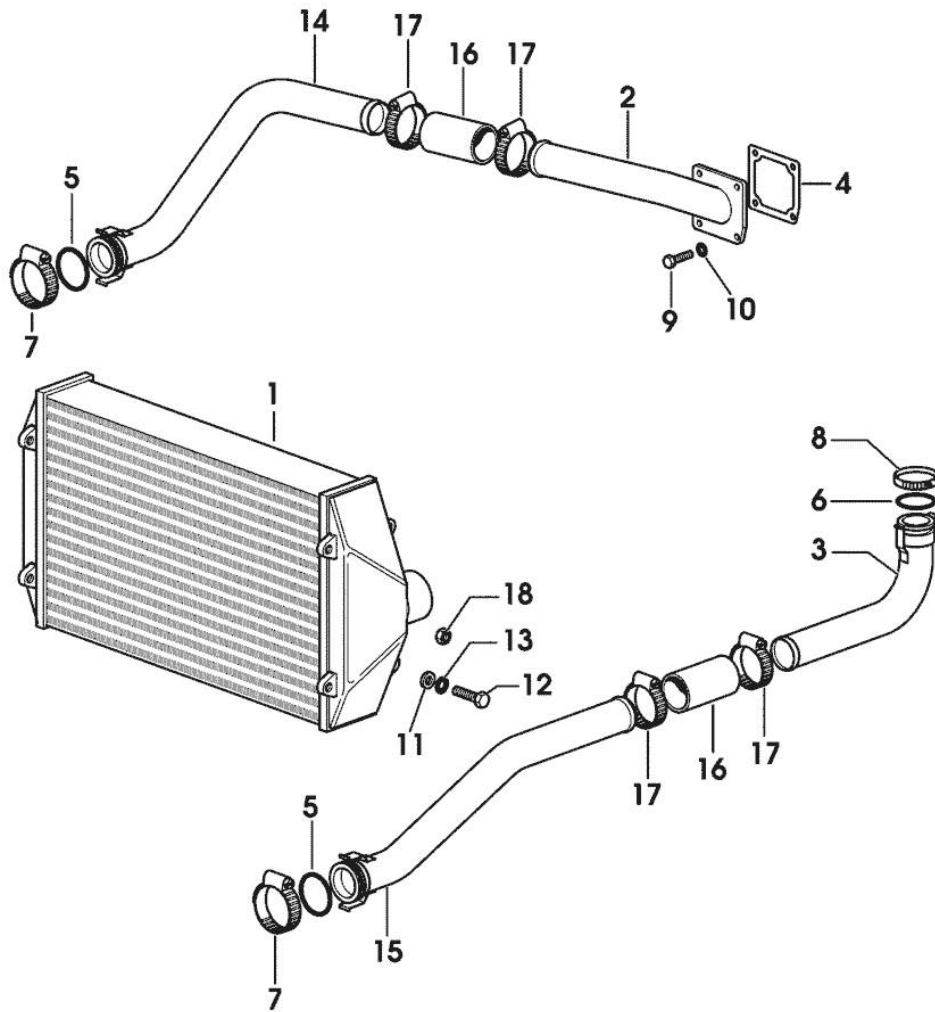


Fig.	P/n	QTY	Name
------	-----	-----	------

Notes:  
[Agroplus 85]

1	04411152	1	radiator
2	0.010.7824.2/20	1	tube
3	0.010.7823.2/30	1	tube
4	0.010.7890.0	1	gasket
5	2.1532.110.0	2	oil seal 42.85x3.53
6	2.1532.506.0	1	oil seal
7	2.6850.011.0	2	clamp
8	2.6850.010.0	1	clamp 40-60
9	2.0112.006.2	1	screw m 6 p.1 x 18
10	2.1470.002.2	1	lock washer 6
11	2.1599.160.0	4	washer 10.5x19x4
12	2.0112.311.2	4	screw m 10 p.1.5 x 30
13	2.1470.006.2	4	lock washer 10
14	0.010.9472.2	1	tube
15	0.010.9473.2	1	tube
16	0.010.9474.0	2	sleeve
17	2.6850.010.0	4	clamp 40-60
18	2.1011.106.2	2	nut m 10 p.1.5

9\_39919\_01\_0\_0

**Buy Now**



Our support email:

[ebooklibonline@outlook.com](mailto:ebooklibonline@outlook.com)