

HYDRAULIC STEERING GEAR - BODY GROUP

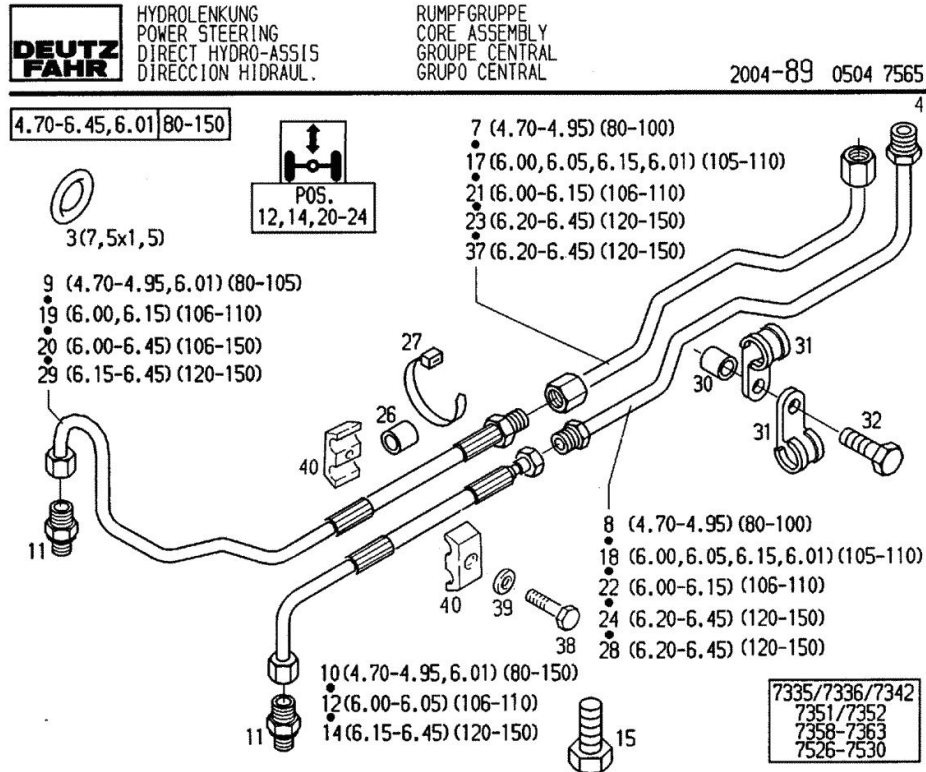


Fig.	P/n	QTY	Name
Notes: [AGROTRON 110]			
3	01180529	2	ring H 002927- 7,5 X 1,5 -NBR-1-70
7	04424717	1	tube
8	04416524	1	tube
9	04424718	1	tube
10	04424719	1	tube
11	01179243	2	pipe fitting M 14X1.5X10 H 003132-EM14X1,5X10-FPM -A4C
12	04424730.4	1	tube
14	04424731.4	1	tube
15	01112322	4	screw m 8 p.1.25 x 20 ISO 004017-M 8 X 20 - 8.8-A4C
17	04424721	1	tube
18	04416526	1	tube
19	04424723	1	tube
20	04424729.4	1	tube
21	04419872	1	pipng dx/rh/re
22	04424728	1	pipng sx/lh/li
23	04419878	1	pipng dx/rh/re
24	04424724	1	pipng sx/lh/li
26	01175701	3	rubber sleeve G12X19X25 H 007565- G12 X19 X 25 -DEUTZ NBR 70
27	01176280	1	fascia H 007672-G 700X 7,6
28	04416528	1	tube dx/rh/re
29	04424726	1	tube
30	04355272	2	bushing 9x13x16
31	01220008	4	fascia B10X20 H 003223-B10X20-W1/CR70-10
32	01112356	2	screw m 8 x 40 ISO 004017-M 8 X 40 - 8.8-A4C
37	04424727	1	tube sx/lh/li
38	01110519	1	screw DIN 000912- M 6 X 22 - 8.8-A4 C
39	01119810	1	washer 6.4 DIN 009021- 6,4-100HV-A4C
40	01175615	2	terminal Ø 16 H 003270-ZKH-1-10X10-PA

HYDRAULIC STEERING GEAR - BODY GROUP

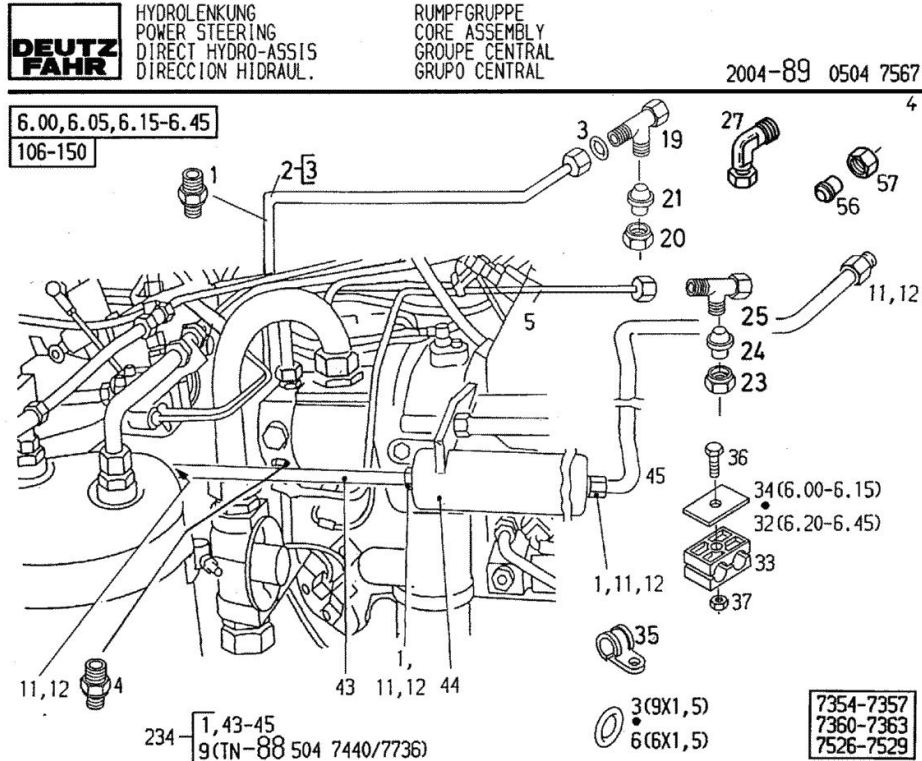
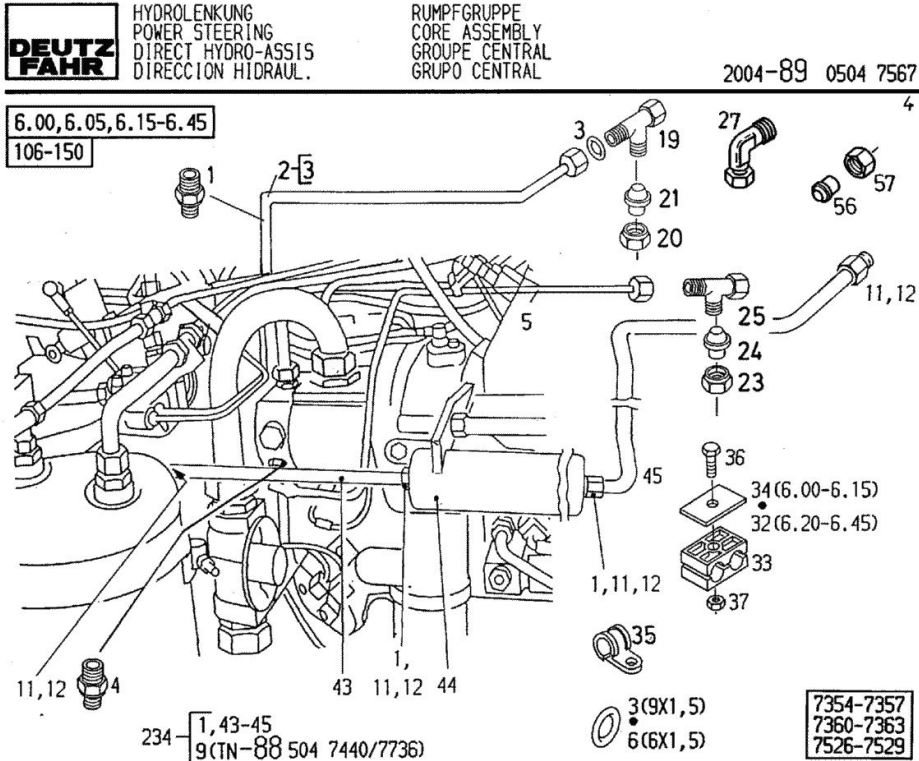


Fig.	P/n	QTY	Name
Notes: [AGROTRON 110]			
1	01180559	1	pipe fitting H 003132-EM16X1,5X12-FPM -A4C
2	04415568	1	tube
3	02371264	2	oil seal H 002927- 9 X 1,5 -NBR-1-70
4	01180557	1	pipe fitting m 12 p.1.5x8 H 003132-EM12X1,5X 8-FPM -A4C
5	04424722	1	tube
6	01180528	2	oil seal H 002927- 6 X 1,5 -NBR-1-70
9	05047736		hydr. control 14.88.20000
11	01179539	2	nut CL 12 H310 H 003105- CL12 -STF55 -A3C GE WAXED
12	01116637	2	ring H 003107-G S12-ST
19	01144813	1	pipe fitting T DIN 003944-L12-ST- NBR-A4C
20	01179539	1	nut CL 12 H310 H 003105- CL12 -STF55 -A3C GE WAXED
21	01180565	1	plug h 310 H 003107-DKO-L12-ST-NBR -A4C
23	01127346	1	nut H 003105- CL 8 -ST-A3C WAXED ST
24	01180564	1	plug H 003107-DKO-L 8-ST-NBR -A4C
25	04416020	1	pipe fitting T DIN 003944-L 8-ST- NBR-A4C
27	01144895	1	pipe fitting DIN 003942-L 8-ST- NBR-A4C
32	01175616	1	small plate H 003270-ZDP-1
33	01180439	2	terminal H 003270-ZKH-1-12X12-PA
34	01178734	1	small plate
35	01172129	1	terminal B8X15 H 003223-B 8X15-W1/CR70-10
36	01112279	1	screw m 6 p.1 x 40

HYDRAULIC STEERING GEAR - BODY GROUP

Fig.	P/n	QTY	Name
37	01112813	1	ISO 004017-M 6 X 40 - 8.8-A4C nut m 6 DIN 000934-M 6 - 8-A4C
43	04423714.4	1	pipng
44	04424225.4	1	shock absorber
45	04424232	1	spacer
56	01180566	1	cone H 003107-DKO-L18-ST-NBR -A4C
57	01127347	1	nut CL 18 H 003105- CL18 -ST-A3C WAXED ST
234	04424234	1	accessories



CONVERSION KIT

Fig.	P/n	QTY	Name
------	-----	-----	------

Notes:
[AGROTRON 110]

1	04418632	1	tube
2	04418633	1	tube
3	01144815	1	vent DIN 003944-L18-ST- NBR-A4C
4	01180566	1	cone H 003107-DKO-L18-ST-NBR -A4C
5	01127347	1	nut CL 18 H 003105- CL18 -ST-A3C WAXED ST
13	01180530	2	ring H 002927- 15 X 2 -NBR-1-70
15	01180555	1	insert H 003118-DKO-L18-12-ST- NBR-A 4C
16	01138562	1	pipe fitting dl 18 h 3131 H 003131-DL 18-ST-A4C

**DEUTZ
FAHR** UMRÜSTUNGSSATZ
CONVERSION KIT
KIT TRANSFORMATION
LOTE MODIFIC. EQUIP.

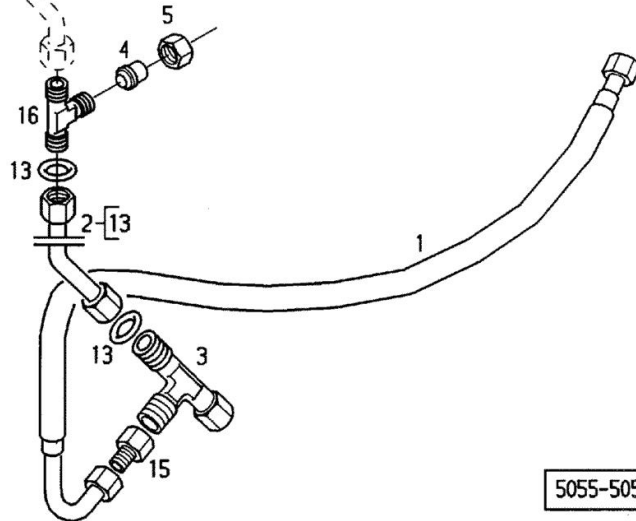
2004-89 0504 7568

6.00-6.45

6.01

106-150

REGELSTEUERGERÄT
MAIN CONTROL UNIT
DISTRIBUT. PRINCIP.
APTO. MANDO REGULAD



5055-5057

CONVERSION KIT

DEUTZ FAHR UMRÜSTUNGSSATZ
CONVERSION KIT
KIT TRANSFORMATION
LOTE MODIFIC. EQUIP.

2004-89 0504 7722

6.00-6.45 6.01 106-150

REGELSTEUERGERÄT
MAIN CONTROL UNIT
DISTRIBUT. PRINCIP.
APTO. MANDO REGULAD

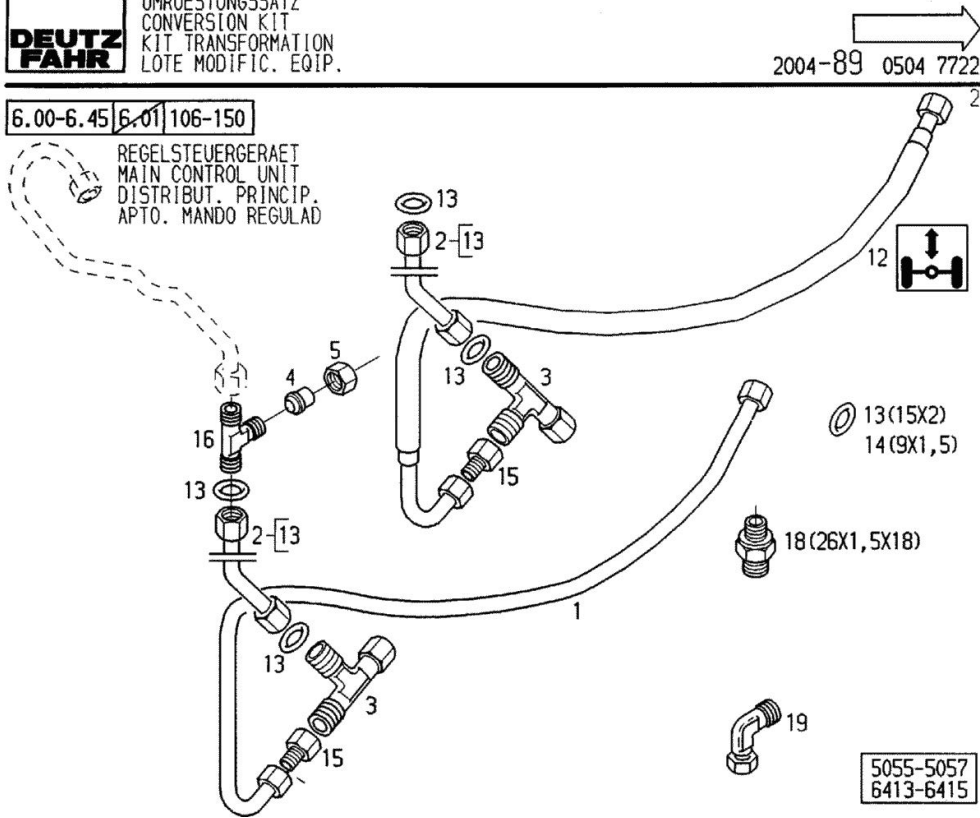


Fig.	P/n	QTY	Name
------	-----	-----	------

Notes:
[AGROTRON 110]

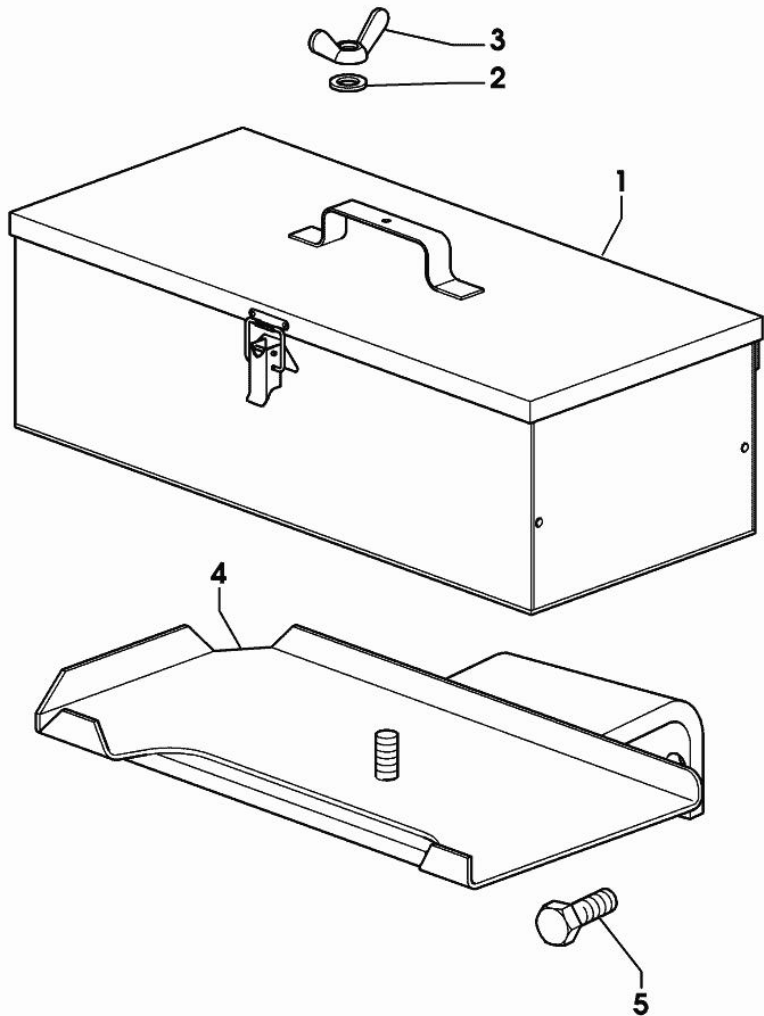
1	04424725	1	tube
2	04418633	1	tube
3	01144815	1	vent DIN 003944-L18-ST- NBR-A4C
4	01180566	1	cone H 003107-DKO-L18-ST-NBR -A4C
5	01127347	1	nut CL 18 H 003105- CL18 -ST-A3C WAXED ST
12	04418632	1	tube
13	01180530	2	ring H 002927- 15 X 2 -NBR-1-70
14	02371264	2	oil seal H 002927- 9 X 1,5 -NBR-1-70
15	01180555	1	insert H 003118-DKO-L18-12-ST- NBR-A 4C
16	01138562	1	pipe fitting dl 18 h 3131 H 003131-DL 18-ST-A4C
18	01180562	1	vent H 003132-EM26X1,5X18-FPM -A4C
19	01144895	1	pipe fitting DIN 003942-L 8-ST- NBR-A4C

METAL TOOLBOX

Fig.	P/n	QTY	Name
------	-----	-----	------

Notes:
[AGROTRON 110]

1	04428044	1	toolbox
2	01127717	1	washer 10.5
3	01138390	1	wing nut m 10
4	04428046.4	1	support
5	01112547	2	screw m 12 x 40, d933



04428049

Buy Now



Our support email:

ebooklibonline@outlook.com