

OPERATION - AGROTRONIC L - H - HD

Fig.	P/n	QTY	Name
------	-----	-----	------

Notes:
[AGROTRON 120]

1	04418176	1	plate
2	04411530	1	knob
3	04411531	1	knob
4	04411532	1	lever
5	04418177	1	plate
6	04414534	1	lever
7	04419577	3	screw

DEUTZ FAHR BETAETIGUNG
CONTROL ASSEMBLY
CDE D'ACTIONNEM.
MANO ACCIONAMIENTO

AGROTRONIC L, H, HD

2005-08 0504 7435

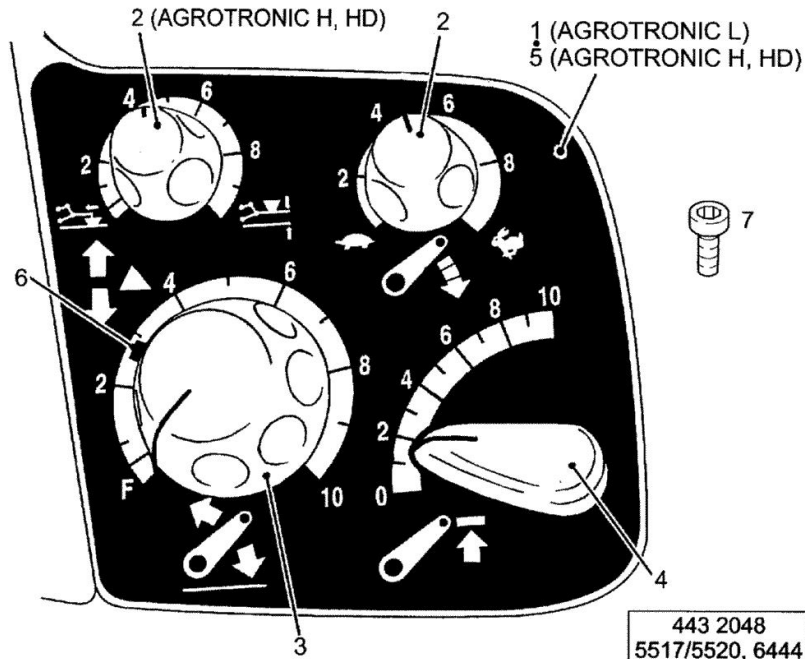
4.70-6.45, 6.01

80-150

160, 175, 200

230, 260

3



CABLE HARNESS - AGROTRONIC

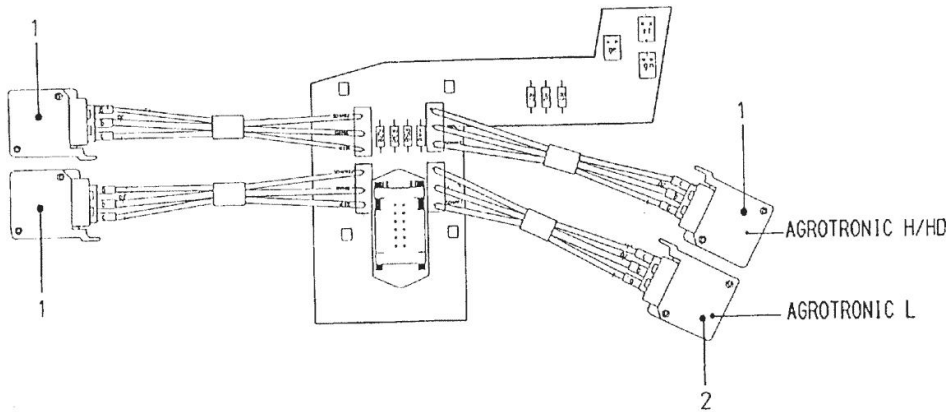
DEUTZ FAHR
 KABELSATZ
 SET OF WIRING
 JEU DE CABLES
 JUEGO DE CABLES

-AGROTRONIC-

2005 - 08 0504 7446

4.70-6.45, 6.01
 80-150
 160, 175, 200
 230, 260

100 [1,2 (AGROTRONIC L)] 3
 200 [1,2 (AGROTRONIC H/HD)]



0443 2048
 5517/5520/6444

Fig.	P/n	QTY	Name
------	-----	-----	------

Notes:

[AGROTRON 120]

1	04423354	3	potentiometer WITH AGROTRONIC L= 2X FOR AGROTRONIC H/HD = 3X
2	04423355	1	potentiometer
100	04412071	1	electric cable
200	04412070.4	1	electric cable

OPERATION - LIFTING GEAR CONTROL

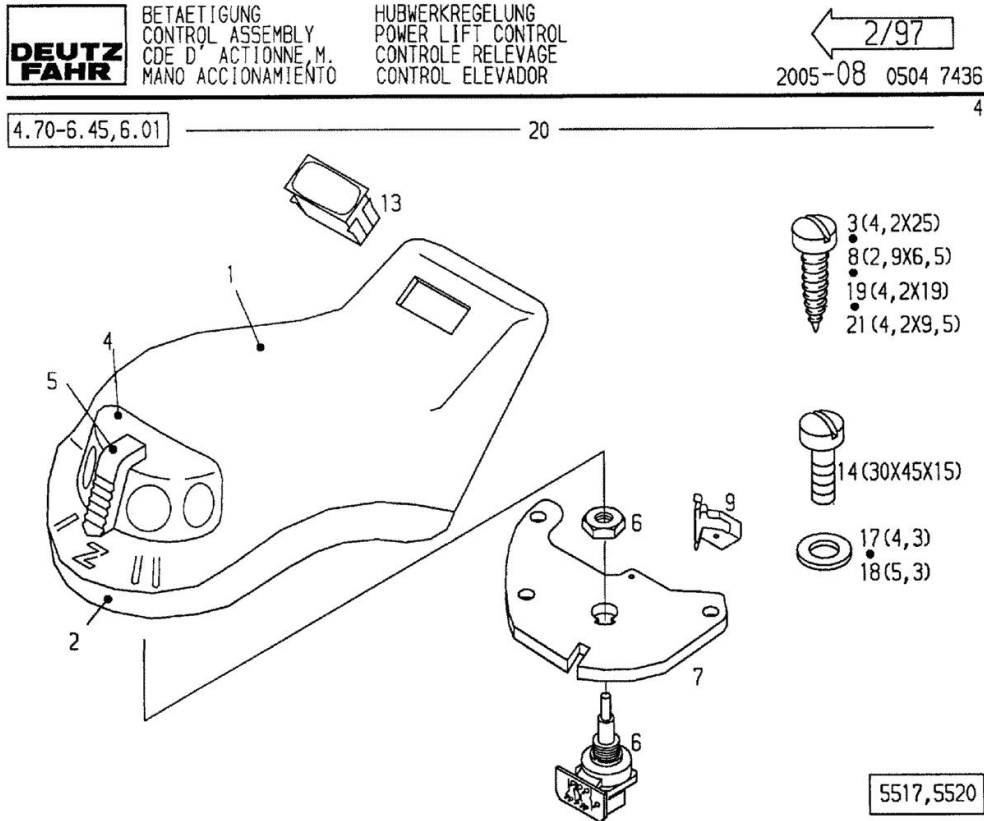


Fig.	P/n	QTY	Name
------	-----	-----	------

Notes:
[AGROTRON 120]

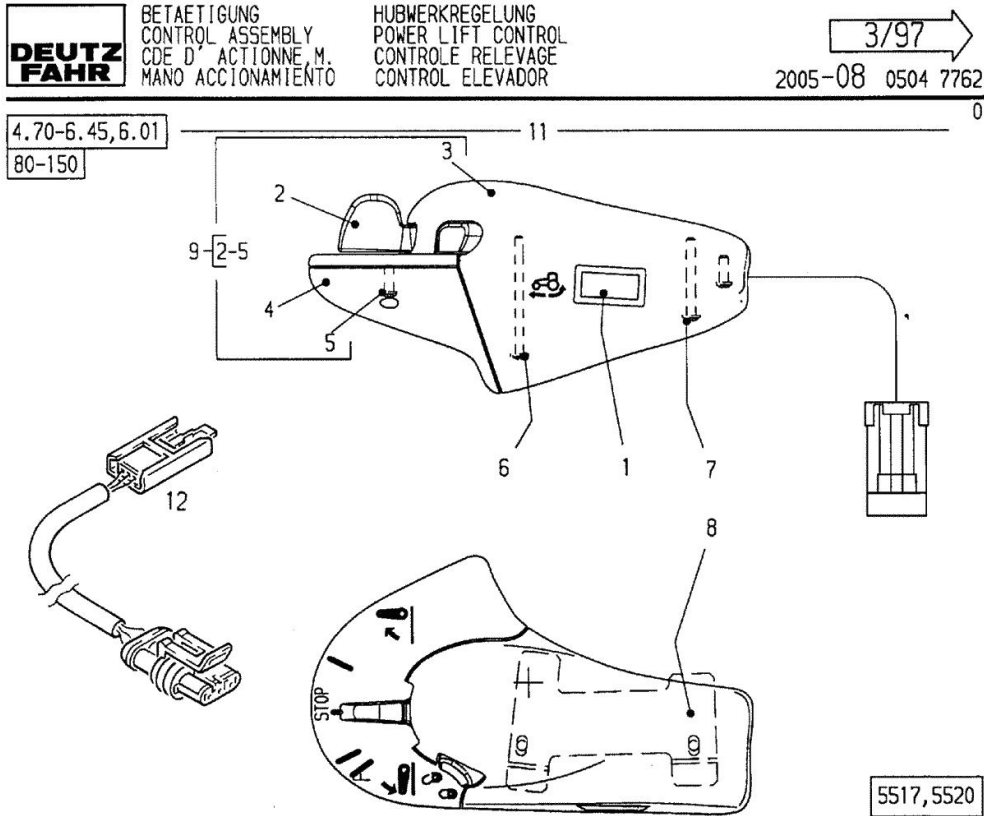
1	04414536	1	screw
2	04414537	1	box
3	01100650	5	screw m 4.2x25 ISO 007049-ST4,2X25 -C-H-A4C
4	04414538	1	spring
5	04414539	1	stop
6	04414540	1	potentiometer
7	04418699	1	support
8	04416861	3	screw DIN 007981-ST2,9X 6,5-C-A4C
9	04414542	1	spring
13	04415856	1	knob
14	04418700	1	screw
17	01122121	1	washer 4,3x9x0,8 DIN 000125-A 4,3-140HV-A4C
18	01104946	4	washer DIN 009021- 5,3-100HV-A4C
19	01137072	2	screw ISO 007049-ST4,2X19 -C-H-A4C
20	04412940	1	ring
21	01143163	3	screw 4,2x9,5 d7981 ISO 007049-ST4,2X 9,5-F-H-A4C

OPERATION - LIFTING GEAR CONTROL

Fig.	P/n	QTY	Name
------	-----	-----	------

Notes:
[AGROTRON 120]

1	04415856	1	knob
2	04419452	1	lever
3	04419450	1	box
4	04419451	1	box
5	04424177	5	screw
6	04424178	1	push-button
7	04426560	1	screw
8	04424173	1	support
9	04424160.4	1	operation
11	04424174	1	connection
FROM FIRST REPLACEMENT UNTIL CHASSIS-AXLE-GEARBOX-SUPPLY WITH NO.ITEM..			
12	04424180	1	12, electric cable



CONTROL UNIT - ELECTRONIC - LIFTING GEAR CONTROL

Fig.	P/n	QTY	Name
------	-----	-----	------

Notes:
[AGROTRON 120]

4	04419446	1	spool valve
5	04411136	1	spool valve assy.
6	04414078	25	nut
7	04414783.4	1	console
8	04411135	1	spool valve



STEUERGERAET
CONTROL UNIT
APPAR. DE COMMANDE
APPARATO DE MANDO

ELEKTRONISCH
ELECTRONIC
ELECTRONIQUE
ELECTRONICO

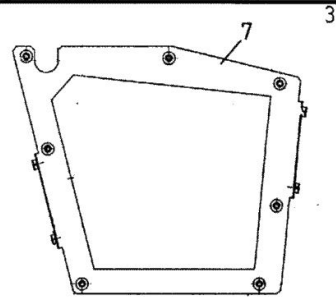
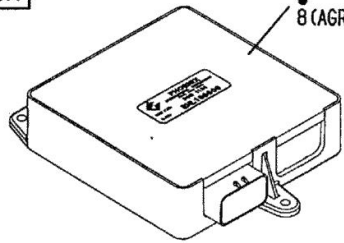
HUBWERKREGELUNG
POWER LIFT CONTROL
CONTROLE RELEVAGE
CONTROL ELEVADOR

2005-08 0504 7374

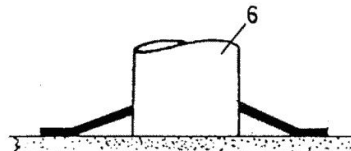
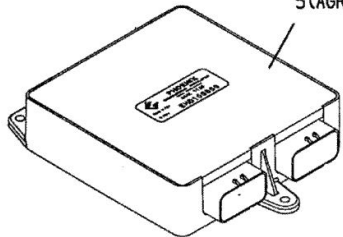
4.70-6.45,6.01 80-150

160-200

4 (AGROTRONIC) (L)
8 (AGROTRONIC) (H)



5 (AGROTRONIC) (HD) ASM



7179/7180
7437-7441
7447-7451

FRONT HYDRAULIC POWER-LIFT

Fig.	P/n	QTY	Name
------	-----	-----	------

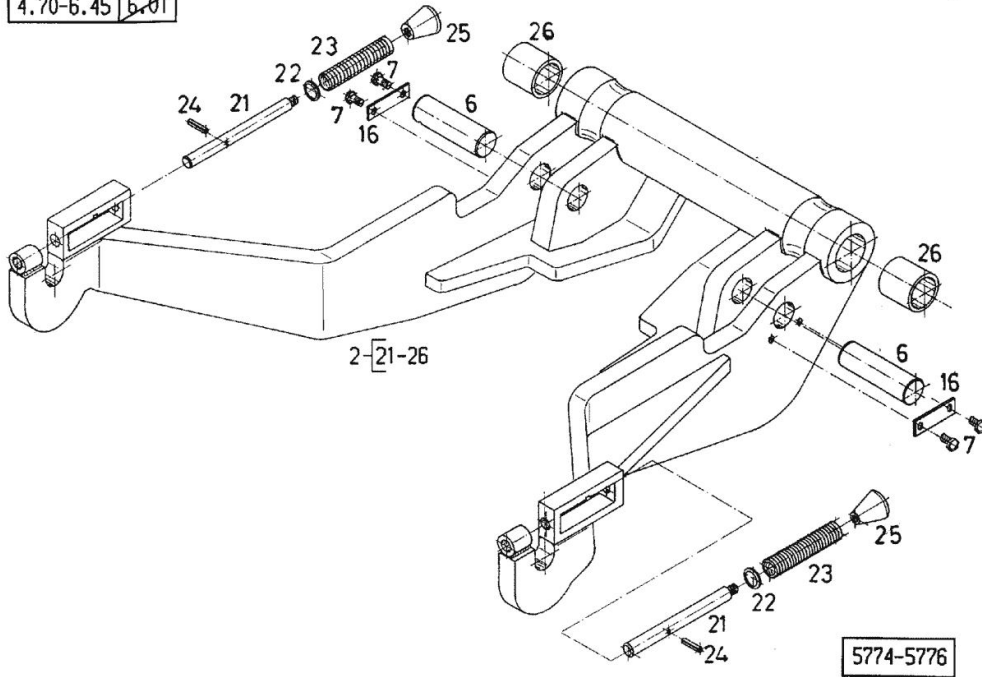
Notes:
[AGROTRON 120]

2	04414517	1	3 point hitch
6	04415481	2	pin
7	01144692	4	screw m 8 p.1.25 x 20 DIN 000933-M 8 X 20 Z1-ST- 8. 8-A4C
16	04414888	2	console
21	04418232	2	rod
22	04418233	2	washer
23	04418234	2	spring
24	01115455	2	pin ISO 008752- 6 X 32
25	04418235	2	button
26	04418236	2	bushing

DEUTZ FAHR
FRONTKRAFTHEBER
FRONT LIFT
RELEVAGE FRONTAL
ELEVADOR DELANTERO

2007-09 0504 7281

4.70-6.45 6.01



FRONT HYDRAULIC POWER-LIFT

Fig.	P/n	QTY	Name
------	-----	-----	------

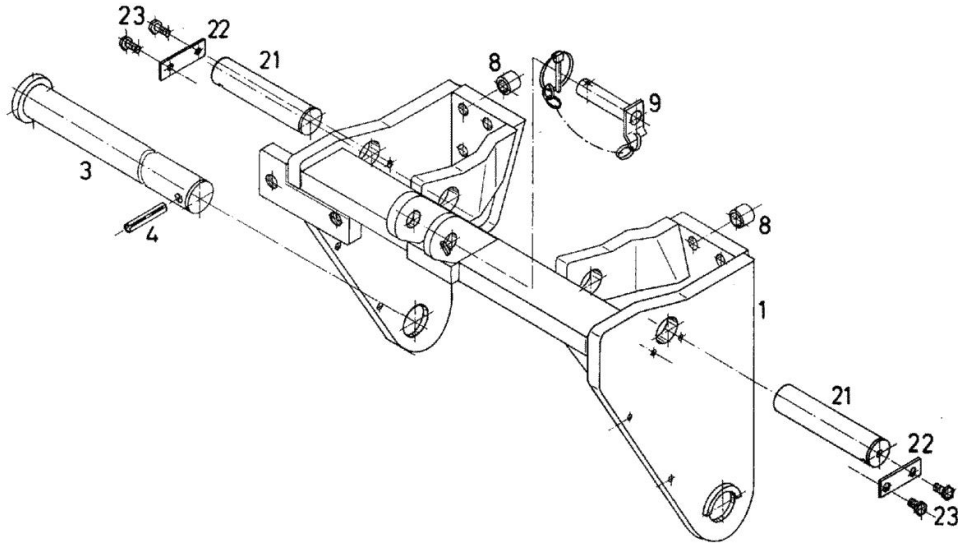
Notes:
[AGROTRON 120]

1	04414516	1	console
3	04415479	1	pin
4	01157367	1	pin ISO 008752- 8 X 70-A4C
8	04388695	2	bushing 17x22x23
9	04415484	1	screw
21	04414153	2	pin
22	04414888	2	console
23	01112407	4	screw m 10 x 20, d933 DIN 000933-M10 X 20 - 8.8-A4C

DEUTZ FAHR FRONTKRAFTHEBER
FRONT LIFT
RELEVAGE FRONTAL
ELEVADOR DELANTERO

2007-09 0504 7282
2

4.70-6.45 6.01



5774-5776

Buy Now



Our support email:

ebooklibonline@outlook.com