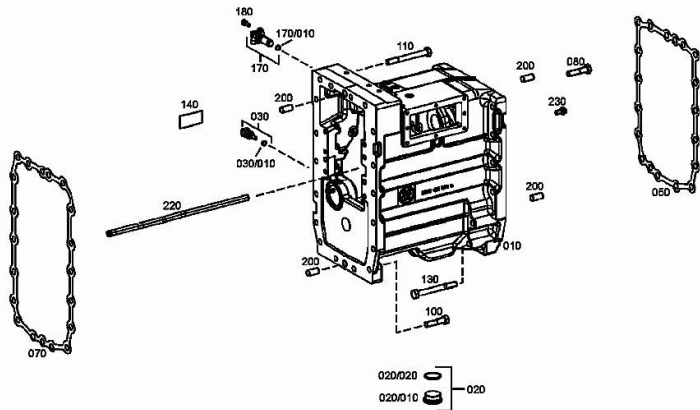


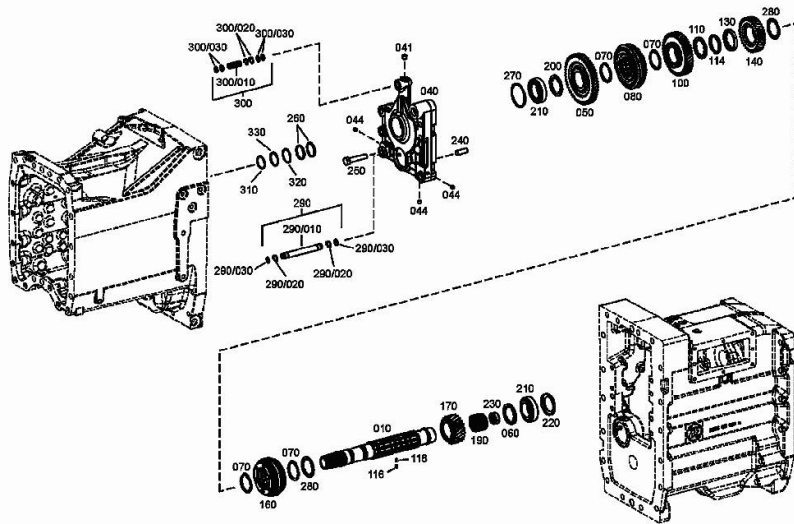
GEARBOX - 2095 009 054

Fig.	P/n	QTY	Name
10	0.900.0284.3	1	gear box
10	0.900.0956.0	1	gear box
20	0.000.0000.1	1	cannot be supplied
20.10	04438472	1	plug m 42 p.1.5
20.20	02315144	1	oil seal 38x2.5
30	0.900.0800.6	1	temperature gauge
30.10	0.900.0801.6	1	ring 11x2 ZFN 744 FPM-80-10
50	0.000.0000.1	1	cannot be supplied
50	04416085	1	gasket mm 0.25
50	04416086	1	gasket mm 0.20
70	04416087	1	gasket
80	0.900.0290.9	5	screw m 14 x 60
100	0.900.0290.9	20	screw m 14 x 60
110	0.010.3354.1	6	screw m 14x130
130	0.010.3354.1	4	screw m 14x130
140	04416088	1	number plate
170	04438450	1	speed sensor L = 53,0mm
170.10	04417747	1	oil seal 15.54x2.62
180	04434551	1	screw m 8 p.1.25 x 20
200	04416090	4	cylindrical plug 16 m 6x30
220	0.010.3437.0	1	flexible hose
230	04416628	1	screw



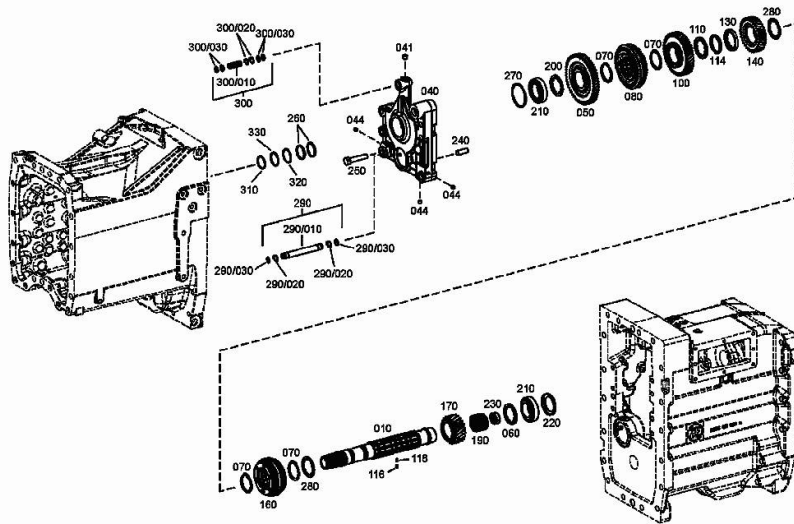
LAYSHAFT - 2095 009 054

Fig.	P/n	QTY	Name
10	0.900.0284.6	1	shaft - UP TO ZF GEARBOX SERIAL NO.: 1760792
10	0.900.0956.3	1	shaft - FROM ZF GEARBOX SERIAL NO.: 1760793
40	0.900.0284.0	1	support
41	0.010.3780.2	1	plug
44	04415909	3	ball
50	0.900.0284.4	1	gear z = 53 - UP TO ZF GEARBOX SERIAL NO.: 1760792
50	0.900.0956.2	1	gear - FROM ZF GEARBOX SERIAL NO.: 1760793
60	04416108	1	shim mm 3.2
70	04416096	4	circlip
80	0.900.0277.7	1	lock synchronizer - UP TO ZF GEARBOX SERIAL NO.: 1760792
100	04438441	1	gear Z = 41
110	04416099	1	shim mm 4.0
114	04416100	1	ring
116	04416101	1	pin 4x8
118	04416102	1	pin 2.5x8
130	04416103	1	shim
140	0.900.0284.5	1	gear - UP TO ZF GEARBOX SERIAL NO.: 1760792
140	0.900.0956.1	1	gear - FROM ZF GEARBOX SERIAL NO.: 1760793
160	0.900.0462.5	2	lock synchronizer
170	0.900.0284.7	1	gear wheel
190	04416107	1	roller cage
200	0.000.0000.1	1	cannot be supplied
200	0.010.3418.0	1	washer mm 3.3
200	0.900.0293.2	1	slewing ring mm 3.4
200	04416108	1	shim mm 3.2
200	04416109	1	shim mm 3.5
210	04416948	2	bearing
220	04416111	1	plate
230	04416112	1	bearing
240	04395747	2	cylindrical plug 12 m 6x30
250	0.010.3354.2	6	screw m 12 x 60
260	04335064	2	oil seal 34x3
270	0.000.0000.1	1	cannot be supplied
270	04417246	1	shim mm 1.00
270	04417247	1	shim mm 1.05
270	04417248	1	shim mm 1.10
270	04417249	1	shim mm 1.15



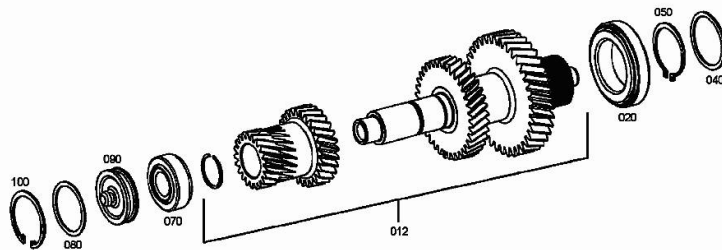
LAYSHAFT - 2095 009 054

Fig.	P/n	QTY	Name
270	04417250	1	shim mm 1.20
270	04417251	1	shim mm 1.25
270	04417252	1	shim mm 1.30
270	04417253	1	shim mm 1.35
270	04417254	1	shim mm 1.40
270	04417268	1	shim mm 1.45
270	04417269	1	shim mm 1.50
270	04417270	1	shim mm 1.60
270	04417271	1	shim mm 1.60
270	04419713	1	shim mm 1.65
270	04419714	1	shim mm 1.70
270	04419715	1	shim mm 1.75
270	04419716	1	shim mm 1.80
270	04419717	1	shim mm 1.85
270	04419718	1	shim mm 1.90
270	04419719	1	shim mm 1.95
270	04419720	1	shim mm 2.00
270	04419721	1	shim mm 2.05
270	04419722	1	shim mm 2.10
270	04419723	1	shim mm 2.15
270	04419724	1	shim mm 2.20
280	0.900.0282.7	4	slewing ring
290	0.010.3437.1	1	flexible hose
290.10	0.900.0294.0	1	tube
290.20	0.010.3344.1	2	circlip 15x1
290.30	06214801	2	oil seal 12x1.5
300	0.010.3436.1	1	flexible hose
300.10	04431768	1	tube
300.20	0.900.0120.6	2	ring 15x1
300.30	0.900.0120.5	4	oil seal 11x3
310	04423359	1	ring
320	0.000.0000.1	1	cannot be supplied
320	04431775	1	ring mm 1.20
320	04431776	1	ring mm 1.30
320	04431777	1	ring mm 1.40
320	04431778	1	ring mm 1.50
330	04416116	1	circlip



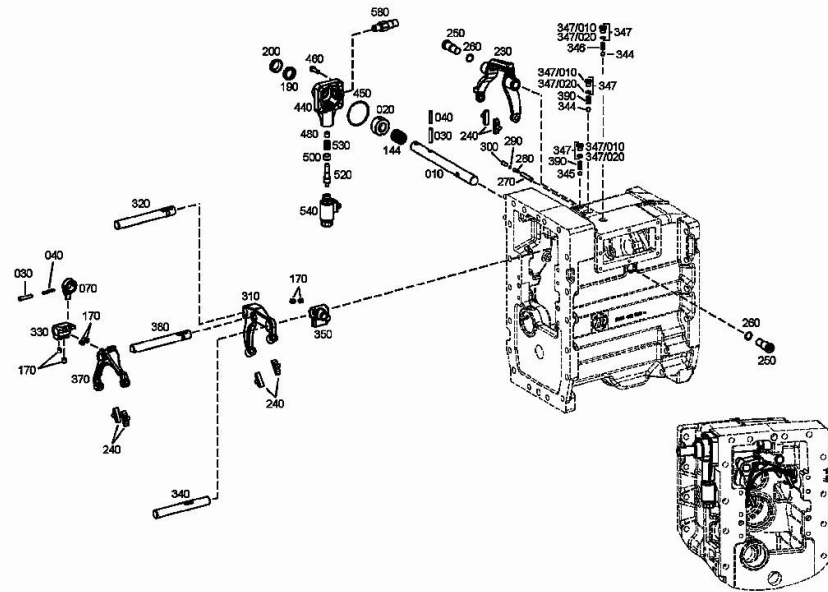
MAIN SHAFT - 2095 009 054

Fig.	P/n	QTY	Name
12	0.900.0283.2	1	main shaft
20	04438468	1	roller bearing
40	0.000.0000.1	1	cannot be supplied
40	04417041	1	washer mm 1.90
40	04417042	1	washer mm 1.95
40	04417043	1	washer mm 2.00
40	04417044	1	washer mm 2.05
40	04417045	1	washer mm 2.10
40	04417046	1	washer mm 2.15
40	04417047	1	washer mm 2.20
40	04417048	1	washer mm 2.25
40	04417049	1	washer mm 2.30
40	04417050	1	washer mm 2.35
40	04417051	1	washer mm 2.40
40	04417052	1	washer mm 2.45
40	04417053	1	washer mm 2.50
40	04417054	1	washer mm 2.55
40	04417055	1	washer mm 2.60
40	04424430	1	washer mm 2.65
40	04424431	1	washer mm 2.70
40	04424433	1	washer mm 2.80
40	04424434	1	washer mm 2.85
40	04424435	1	washer mm 2.90
50	0.010.3345.2	1	circlip 52x2
70	04368537	1	roller bearing
80	0.000.0000.1	1	cannot be supplied
80	0.010.3395.0	1	small block mm 1.75
80	0.010.3395.1	1	small block mm 1.80
80	04416486	1	shim mm 1.30
80	04416487	1	shim mm 1.35
80	04416488	1	shim mm 1.40
80	04416489	1	shim mm 1.45
80	04416490	1	shim mm 1.50
80	04416491	1	shim mm 1.55
80	04416492	1	shim mm 1.60
80	04416493	1	shim mm 1.65
80	04416494	1	shim mm 1.70
90	04416612	1	ring
100	04416121	1	circlip 57x2



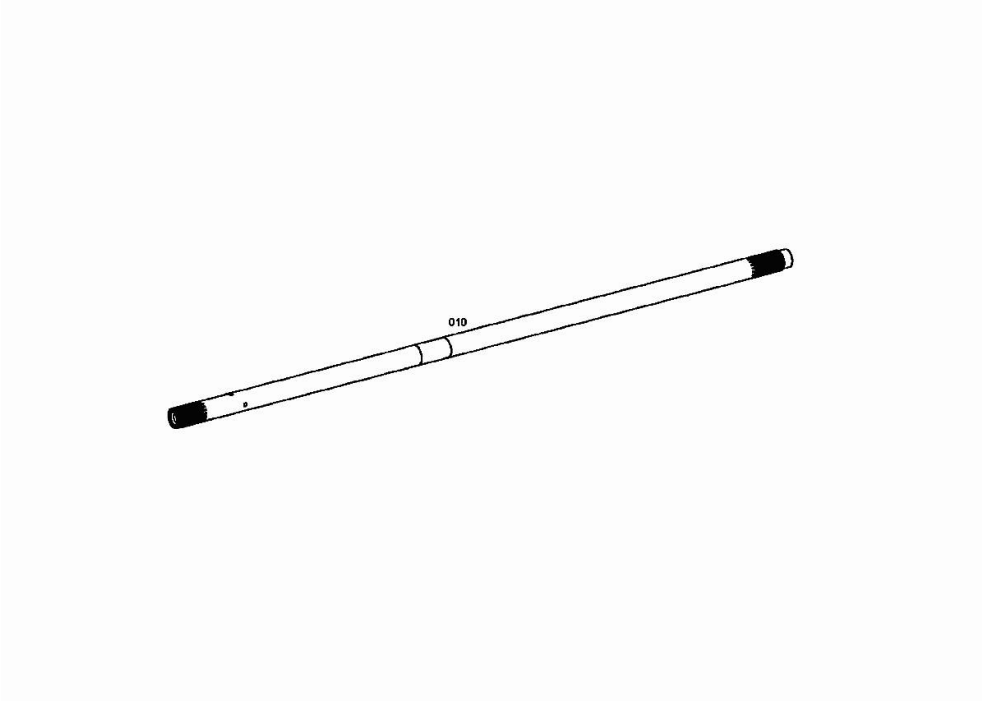
DRIVE - 2095 009 054

Fig.	P/n	QTY	Name
10	0.900.0285.4	1	shaft
20	0.900.0285.3	1	ring
30	04416371	2	pin
40	04416191	2	pin 5 x 36
70	0.900.0284.8	1	lever
144	0.900.0283.1	1	clip
170	01272647	9	stud bolt L = 13.7
190	04415773	1	oil seal 25x35x7
200	04415774	1	oil seal AS 25x35x7x10
230	0.900.0956.5	1	fork
240	04415779	6	shoe
250	04416145	2	screw
260	0.010.2619.1	2	oil seal 17x2
270	04415787	1	ferrule
280	01299482	1	spring
290	04415788	1	circlip B 7 din 7993
300	04416148	1	ferrule
310	0.900.0956.7	1	fork
320	0.900.0285.7	1	rod
330	04416151	1	control panel
340	0.900.0285.6	1	rod
344	04417322	2	ball
345	0.900.0279.4	1	ball
346	06241361	1	spring
347	0.000.0000.1	3	cannot be supplied
347.10	0.900.0291.1	3	plug
347.20	04415796	3	oil seal 9.5x2
350	0.900.0285.1	1	driver
370	0.900.0956.4	1	fork
			- FROM ZF GEARBOX SERIAL NO.: 1760793
370	0.900.0956.6	1	fork
			- UP TO ZF GEARBOX SERIAL NO.: 1760792
380	0.900.0285.5	1	rod
390	04416041	2	spring
440	0.900.0285.2	1	cover
450	0.900.0279.0	1	ring
460	04434546	2	screw m 8 x 30
480	04416442	1	bearing
500	04416443	1	bearing
520	0.900.0286.7	1	interlock
530	0.900.0293.4	1	spring
540	0.010.3343.0	1	electromagnet
580	04416066	1	switch



P.T.O. - POWER TAKE OFF - 2095 009 054

Fig.	P/n	QTY	Name
10	0.900.0066.8	1	transmission shaft



SUPER REDUCTION GEAR UNIT - 2095 009 054

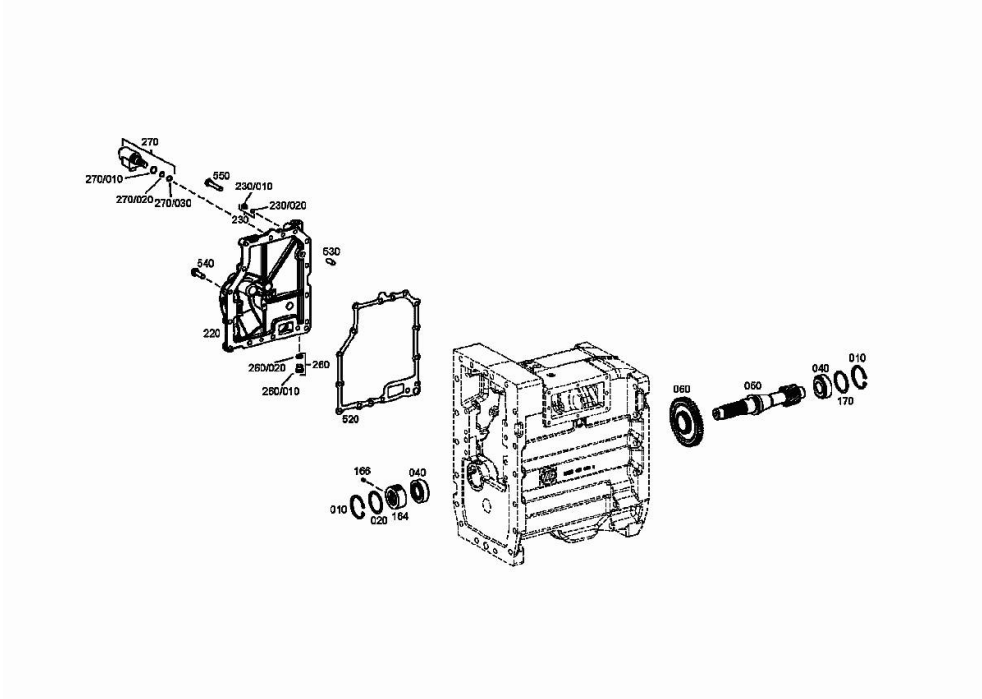


Fig.	P/n	QTY	Name
10	0.900.0289.6	2	circlip
20	04416620	1	shim mm 1.50
40	04431639	2	bearing
50	04416169	1	shaft
60	04438458	1	gear
164	04416178	1	ring
166	04416179	1	pin 8x10
170	0.000.0000.1	1	cannot be supplied
170	0.010.2611.0	1	shim mm 1.72
170	0.010.2611.1	1	shim mm 1.74
170	0.010.2611.2	1	shim mm 1.76
170	0.010.2612.0	1	shim mm 1.78
170	0.010.2612.1	1	shim mm 1.82
170	0.010.2612.2	1	shim mm 1.84
170	0.010.2612.3	1	shim mm 1.86
170	0.010.2613.0	1	shim mm 1.88
170	0.010.2613.1	1	shim mm 1.92
170	0.010.2613.2	1	shim mm 1.94
170	0.010.2613.3	1	shim mm 1.96
170	0.010.2614.0	1	shim mm 1.98
170	0.010.2614.1	1	shim mm 2.02
170	0.010.2614.2	1	shim mm 2.04
170	0.010.2614.3	1	shim mm 2.06
170	0.900.0014.7	1	shim mm 2.08
170	0.900.0014.8	1	shim mm 1.05
170	0.900.0014.9	1	shim mm 1.10
170	0.900.0015.0	1	shim mm 1.15
170	04416454	1	shim mm 1.30
170	04416455	1	shim mm 1.70
170	04416456	1	shim mm 1.90
170	04416457	1	shim mm 2.10
170	04416458	1	shim mm 2.30
170	04416459	1	shim mm 1.20
170	04416460	1	shim mm 1.25
170	04416461	1	shim mm 1.35
170	04416462	1	shim mm 1.40
170	04416463	1	shim mm 1.45
170	04416470	1	shim mm 1.55
170	04416471	1	shim mm 1.60
170	04416472	1	shim mm 1.65
170	04416473	1	shim mm 1.75
170	04416474	1	shim mm 1.80
170	04416475	1	shim mm 1.85
170	04416476	1	shim mm 1.95

Buy Now



Our support email:

ebooklibonline@outlook.com