

OIL SUPPLY - HYDRAULIC PUMP

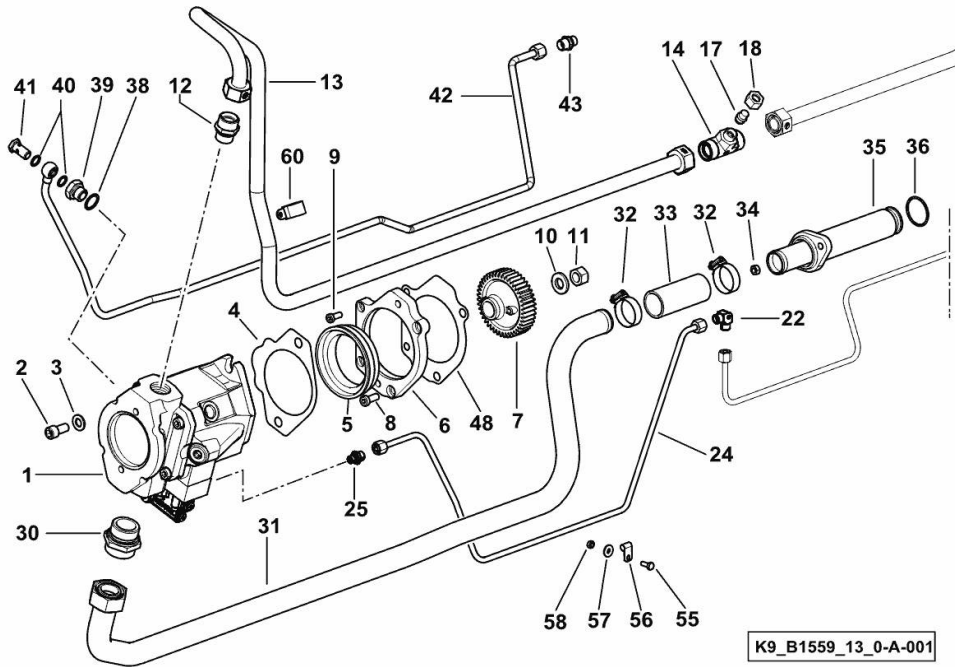


Fig.	P/n	QTY	Name
------	-----	-----	------

Notes:

[Agrotron K 110 Profiline -> 8161 1001]

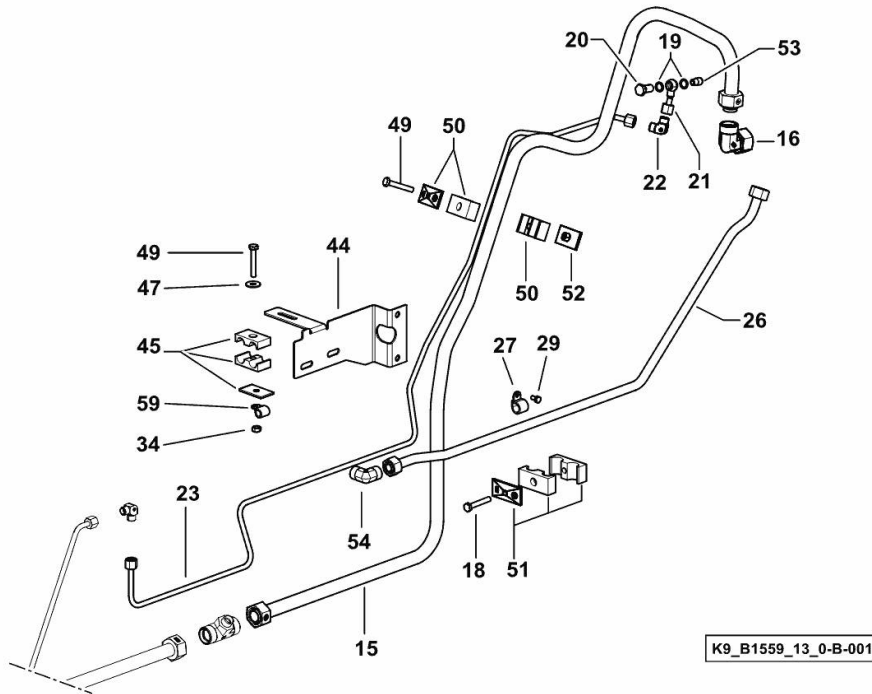
1	04453863/20	1	hydraulic pump LS 37 cc SX ☞ 04453863/20
2	2.0312.408.2	2	screw m 12 p.1.75 x 25
3	2.1310.007.2	2	flat washer 13 x 24
4	04412251	1	gasket S = 0.30
5	04453399	1	flange Ø 83 / Ø 111.9
6	04453397/10	1	flange
7	04454686	1	gear Z = 43
8	04453905	2	screw m 10 x 20
9	04453906	2	screw m 8 x 20
10	04454598	1	washer
11	2.1012.109.7	1	nut m 16
12	04454041	1	pipe fitting Ø 22
13	04454495	1	tube
14	04452758/10	1	reduction
17	01180565	1	plug h 310
18	01179539	1	nut CL 12 H310
22	01143305	2	pipe fitting
24	04453895/20	1	tube
25	04454508/10	1	pipe fitting Ø 8
30	01180563	1	vent m 42x2
31	04453885/10	1	tube
32	2.6851.004.0	2	clamp Ø 32/50
33	04434054	1	rubber sleeve
34	2.1011.105.2	4	nut m 8 p.1.25
35	04453139.3/10	1	primer
36	2.1530.106.0	1	oil seal 40.45x2.62
38	2.1560.016.0	1	gasket 20.2 x 26
39	04453854	1	reduction Ø 17
40	01118688	2	ring 14x17
41	2.3332.004.2	1	pipe union m 14 p.1.5 x 27
42	04454786/10	1	tube
43	01179243	1	pipe fitting M 14X1.5X10
48	04454493	1	gasket S = 0.30
55	2.0114.005.2	1	screw m 6 p.1.0 x 16
56	01172129	1	terminal B8X15
57	2.1312.003.2	1	washer 6
58	2.1011.103.2	1	nut m 6 p.1
60	01173219	1	clamp

OIL SUPPLY - HYDRAULIC PUMP

Fig.	P/n	QTY	Name
------	-----	-----	------

Notes:

[Agrotron K 110 Profiline -> 8161 1001]



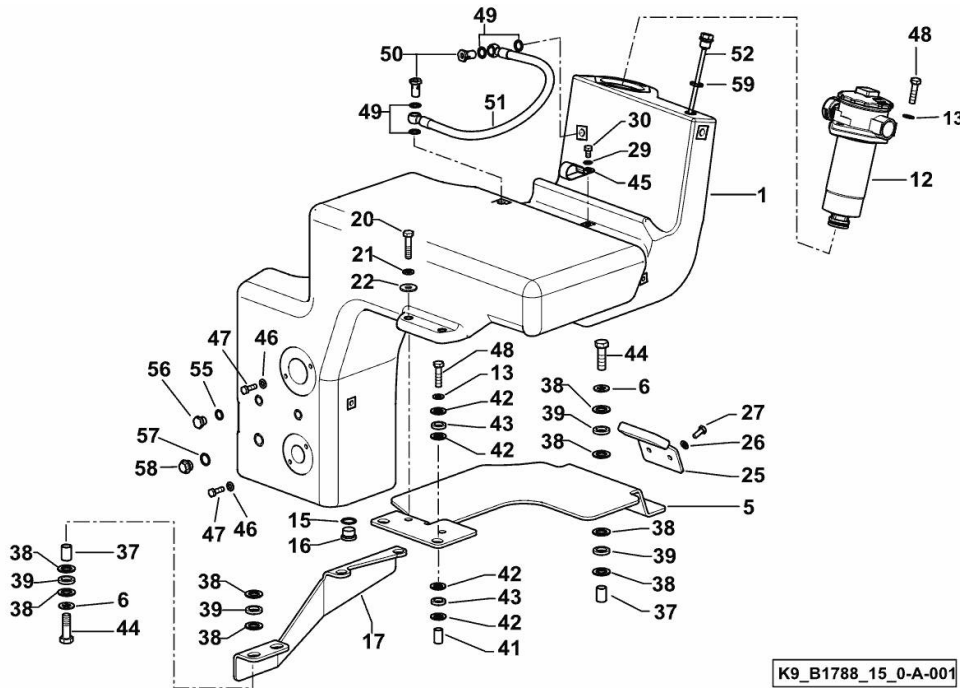
15	04453354	1	pipng
16	04427232	1	pipe fitting
18	01179539	1	nut CL 12 H310
19	01213282	2	gasket
20	01119241	1	pipe union m 12 p.1.5
21	04453894/10	1	pipng
22	01143305	2	pipe fitting
23	04453893/20	1	tube
26	04454008/20	1	tube
27	01175727	2	terminal (1328 <-)
27	01179680	2	clamp A15X15
29	2.0114.216.2	1	screw m 8 x 45 (1328 <-)
29	2.0114.003.2	1	screw m 6 p.1 x 12
34	2.1011.105.2	4	nut m 8 p.1.25
44	04453558/50	1	bracket
45	04454012	1	collar Ø 18/8
47	2.1312.004.2	1	washer 8x24x2
49	2.0114.217.2	3	screw m 8 p.1.25 x 50
50	04454484	1	fascia
51	04454483	2	terminal Ø 15 / Ø 22
52	04434155	1	small plate
53	04451873	1	valve
54	01123937	1	vent l 15 d3905
59	01212670	1	fascia B10X15

OIL TANK

Fig.	P/n	QTY	Name
------	-----	-----	------

Notes:

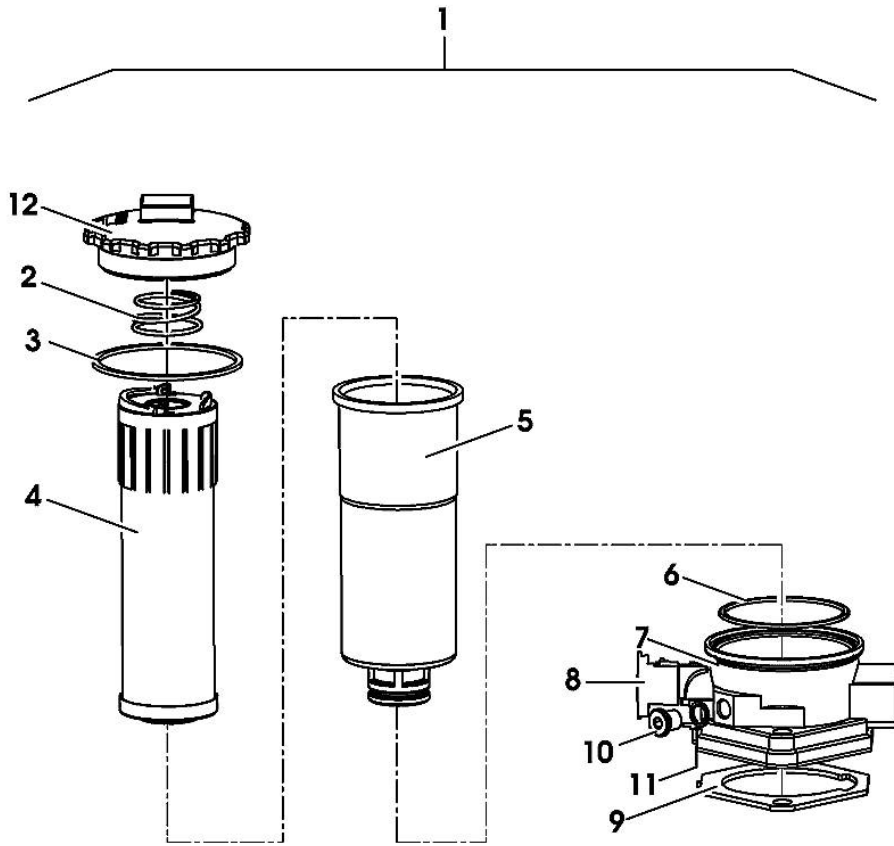
[Agrotron K 110 Profiline -> 8161 1001]



1	0.014.2604.4/70	1	tank
5	0.014.2895.3/50	1	tank support (1236 <-)
5	0.014.2895.3/60	1	support (-> 1237)
6	2.1310.009.2	4	flat washer 15x20
12	04453674	1	filter ☞ 04453674
13	2.1310.006.2	4	flat washer 10.5x21
15	2.1560.017.0	1	gasket 22.2 x 27
16	2.3120.002.4	1	plug m 22 x 1.5
17	0.014.2915.0/30	1	bracket
20	2.0112.317.2	2	screw m 10 p.1.5 x 45
21	2.1475.203.2	2	spring washer 10
22	2.1312.005.2	2	washer 10.2
25	0.014.3682.2	1	support
26	2.1475.202.2	2	spring washer 8.4 x 16
27	2.0112.207.2	2	screw m 8 p 1.25 x 20
29	2.1470.004.2	1	lock washer 8
30	2.0112.204.2	1	screw m 8 p.1.25x14
37	2.1549.359.2	4	spacer
38	2.1569.217.2	16	washer
39	2.1549.361.0	8	rubber plug
41	2.1579.064.2	2	spacer
42	2.1599.510.2	8	spacer
43	2.1549.362.0	4	rubber plug
44	2.0112.517.2	4	screw m 14 p.2 x 45
45	2.6859.035.2/10	1	clamp
46	2.1310.004.2	4	flat washer 8.4x17
47	2.0112.209.2	4	screw m 8 p 1.25 x 25 (1169 <-)
47	2.0112.207.2	4	screw m 8 p 1.25 x 20 (-> 1170)
48	2.0112.315.2	4	screw m 10 p.1.5 x 40
49	2.1560.010.0	4	gasket 14.2 x 20
50	2.3335.006.2	2	pipe union m 14 p.1.5X26 (1236 <-)
50	2.3332.004.2	2	pipe union m 14 p.1.5 x 27 (-> 1237)
51	0.010.9530.3	1	tube
52	04454518	1	dipstick
55	2.1560.009.0	1	gasket 14.2x18
56	2.3110.403.2	1	plug m 14
57	2.1560.013.0	1	gasket 18.2x22
58	2.3110.405.2	1	plug m 18 p.1.5 x 15
59	2.1532.040.0	1	oil seal 15.88x2.62

OIL FILTER

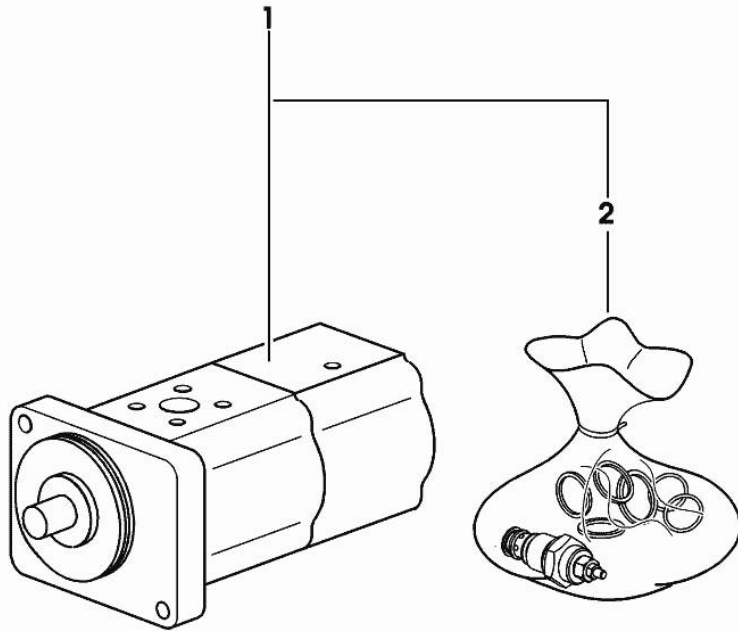
Fig.	P/n	QTY	Name
1	04453674	1	filter
2	0.900.0128.0	1	spring
3	0.900.0128.1	1	gasket
4	0.900.0392.9	1	filter
5	0.900.0393.0	1	filter casing
6	0.900.0128.7	1	oil seal
7	0.900.0393.1	1	filter casing
8	0.900.0393.2	1	breather
9	0.900.0393.3	1	ring
10	0.900.0128.4	1	screw m 12x1.5
11	0.900.1601.9	1	oil seal 12x1.5
12	0.900.0128.8	1	cover



04453674

HYDRAULIC PUMP

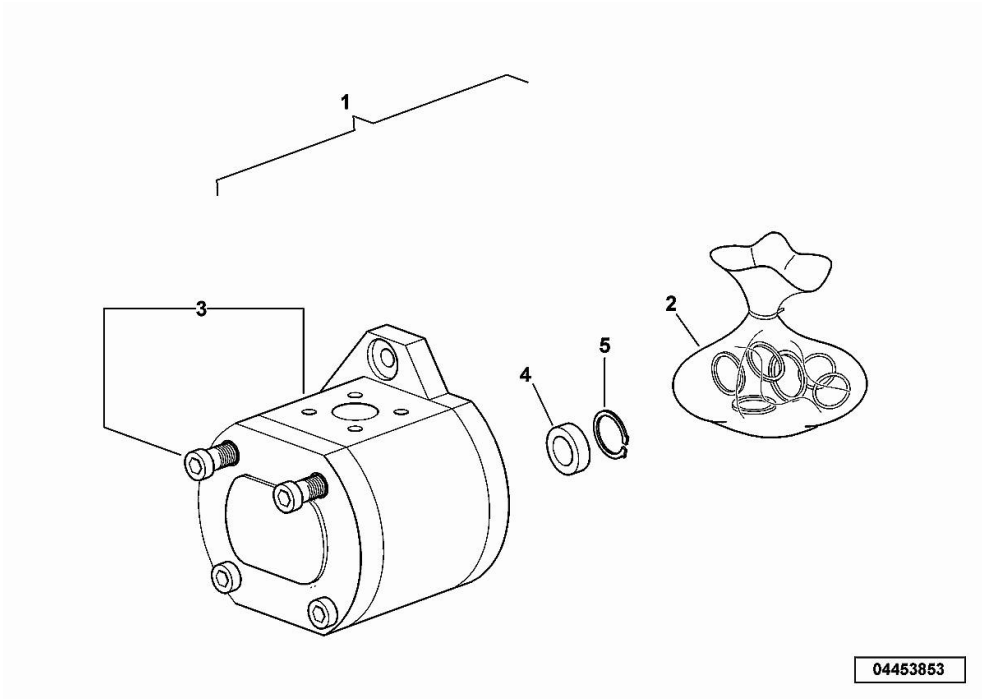
Fig.	P/n	QTY	Name
1	04453684	1	hydraulic pump
2	0.900.0456.6	1	gasket set



04453684

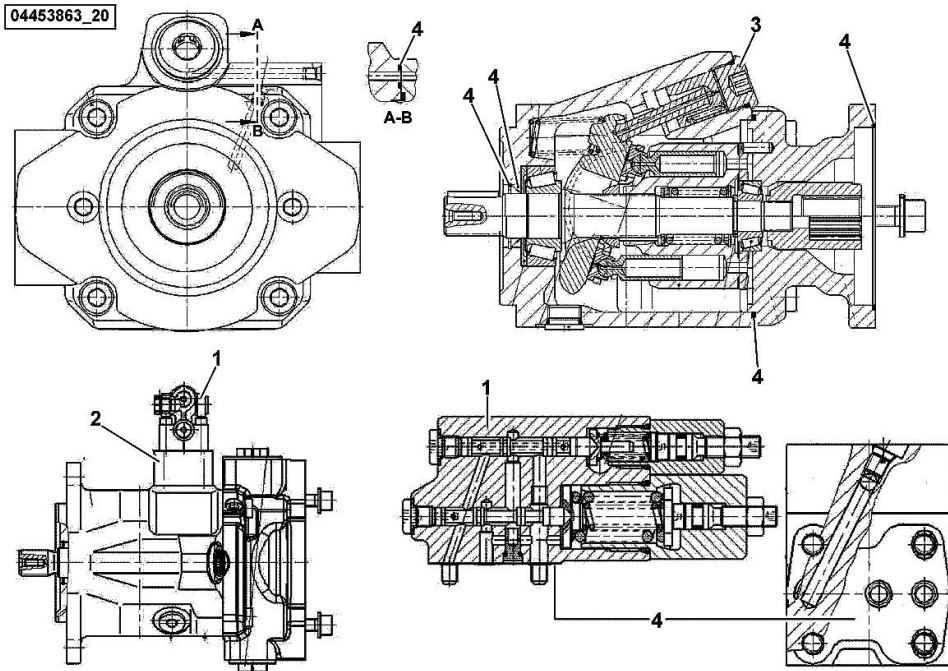
HYDRAULIC PUMP COMPONENTS

Fig.	P/n	QTY	Name
1	04453853	1	hydraulic pump
2	0.010.3911.2	1	gasket set
3	0.900.0016.1	4	screw
4	0.900.0397.6	1	oil seal
5	2.1411.012.1	1	circlip 30



PUMP-COMPONENTS

Fig.	P/n	QTY	Name
1	0.900.1386.5	1	solenoid valve
2	0.900.1386.6	1	plate
3	0.900.1265.1	1	screw
4	0.900.1986.8	1	gasket set



Buy Now



Our support email:

ebooklibonline@outlook.com