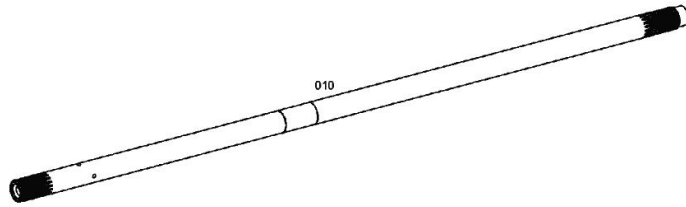


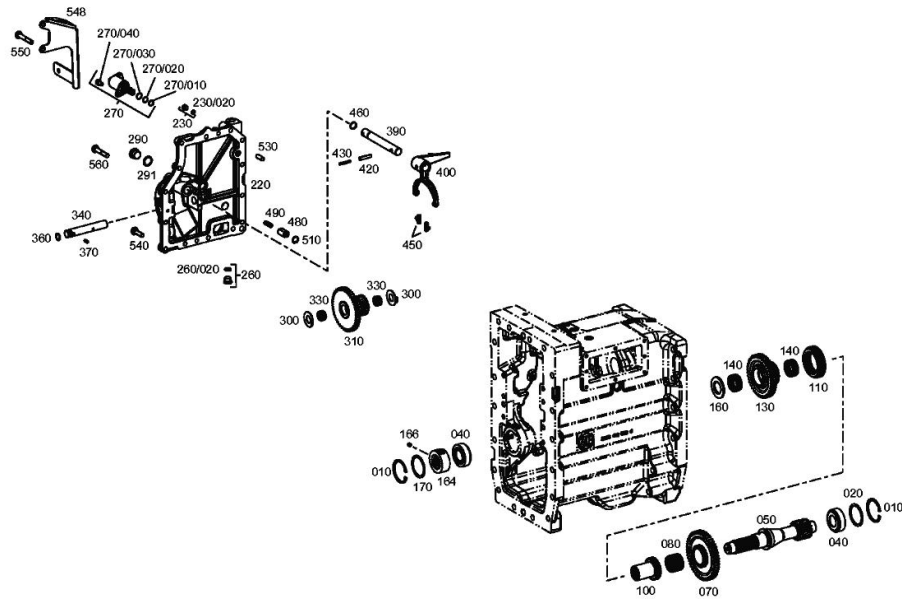
P.T.O. - POWER TAKE OFF - 2095 009 042

Fig.	P/n	QTY	Name
10	0.900.0066.8	1	transmission shaft



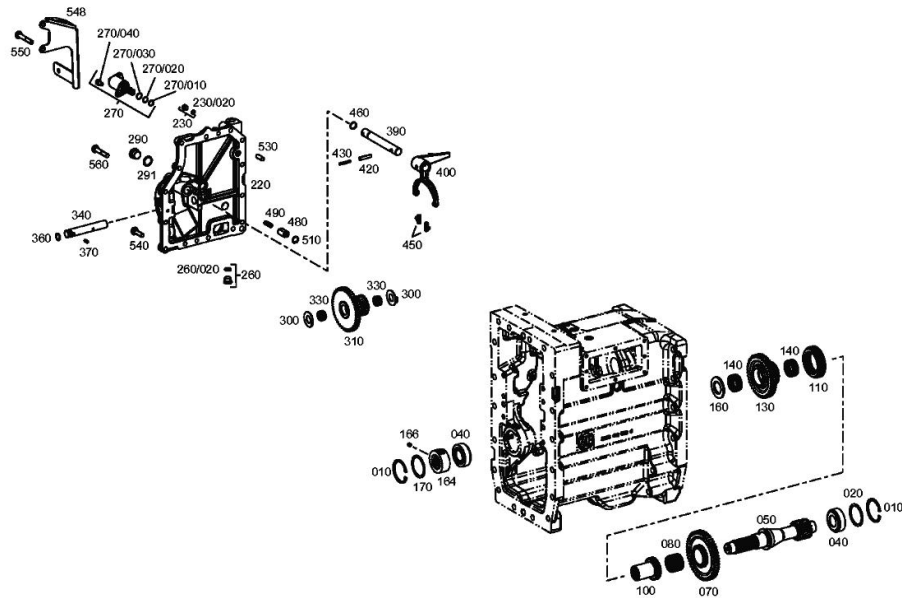
SUPER REDUCTION GEAR UNIT - 2095 009 042

Fig.	P/n	QTY	Name
10	0.010.3346.0	2	circlip 62 x 2 -> (...)
10	0.900.0289.6	2	circlip (...) <-
20	04416620	1	shim mm 1.50
40	04431639	2	bearing
50	04416170	1	shaft
70	04416172	1	gear
80	0.900.2223.5	1	needle
100	04416173	1	support
110	04416174	1	sleeve
130	04431646	1	gear z=41 z=25 (...) <-
140	04416176	2	roller cage
160	04416177	1	shim
164	04416178	1	ring
166	04416179	1	pin 8x10
170	0.000.0000.1	1	cannot be supplied
170	0.010.2611.0	1	shim mm 1.72
170	0.010.2611.1	1	shim mm 1.74
170	0.010.2611.2	1	shim mm 1.76
170	0.010.2612.0	1	shim mm 1.78
170	0.010.2612.1	1	shim mm 1.82
170	0.010.2612.2	1	shim mm 1.84
170	0.010.2612.3	1	shim mm 1.86
170	0.010.2613.0	1	shim mm 1.88
170	0.010.2613.1	1	shim mm 1.92
170	0.010.2613.2	1	shim mm 1.94
170	0.010.2613.3	1	shim mm 1.96
170	0.010.2614.0	1	shim mm 1.98
170	0.010.2614.1	1	shim mm 2.02
170	0.010.2614.2	1	shim mm 2.04
170	0.010.2614.3	1	shim mm 2.06
170	0.900.0014.7	1	shim mm 2.08
170	0.900.0014.8	1	shim mm 1.05
170	0.900.0014.9	1	shim mm 1.10
170	0.900.0015.0	1	shim mm 1.15
170	0.900.1279.5	1	shim
170	04416454	1	shim mm 1.30
170	04416455	1	shim mm 1.70
170	04416456	1	shim mm 1.90
170	04416457	1	shim mm 2.10
170	04416458	1	shim mm 2.30
170	04416459	1	shim mm 1.20



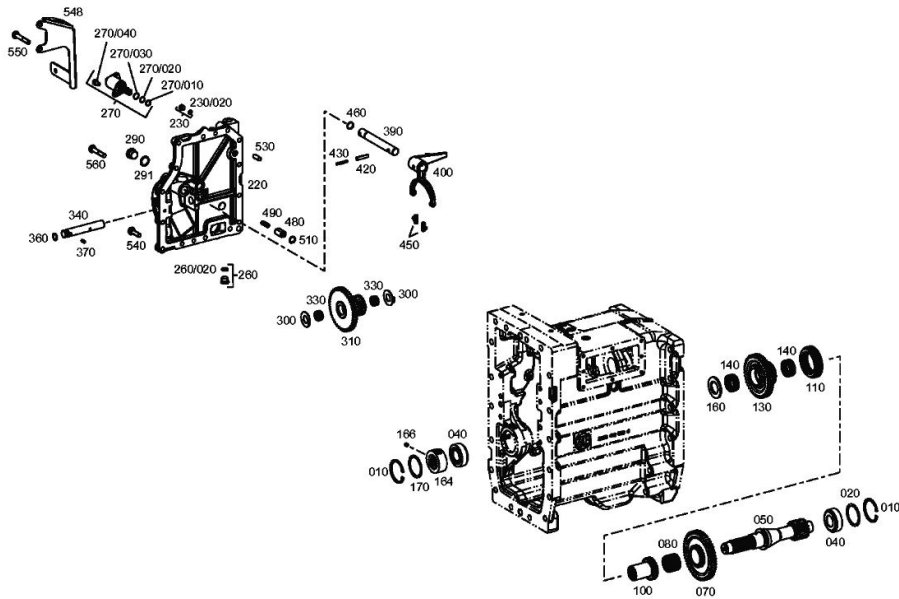
SUPER REDUCTION GEAR UNIT - 2095 009 042

Fig.	P/n	QTY	Name
170	04416460	1	shim mm 1.25
170	04416461	1	shim mm 1.35
170	04416462	1	shim mm 1.40
170	04416463	1	shim mm 1.45
170	04416471	1	shim mm 1.60
170	04416472	1	shim mm 1.65
170	04416473	1	shim mm 1.75
170	04416474	1	shim mm 1.80
170	04416475	1	shim mm 1.85
170	04416476	1	shim mm 1.95
170	04416477	1	shim mm 2.00
170	04416478	1	shim mm 2.05
170	04416479	1	shim mm 2.15
170	04416480	1	shim mm 2.20
170	04416481	1	shim mm 2.25
170	04416482	1	shim mm 2.35
170	04416483	1	shim mm 2.40
170	04416484	1	shim mm 2.45
170	04416485	1	shim mm 2.50
170	04416620	1	shim mm 1.50
220	0.900.0285.8	1	cover (...) <-
220	0.900.0957.2	1	cover -> (...)
230	0.900.1381.4	1	plug
230.20	04415683	1	oil seal 8x1.5
260	04435199	1	screw
260.20	02315162	1	oil seal 13x2
270	0.900.0952.8	1	solenoid valve DV -> (...)
270	04431661	1	solenoid valve (...) <-
270.10	0.900.1377.5	1	gasket 12,4 x 1,78 -> (...)
270.10	04417841	1	ring 16.36x2.21 (...) <-
270.20	0.900.1377.6	1	gasket 13 x 1.5 -> (...)
270.20	04417842	1	oil seal 12x2 (...) <-
270.30	0.900.1377.7	1	gasket 14x1.78 -> (...)
270.30	04417843	1	ring 10.82x1.78 (...) <-



SUPER REDUCTION GEAR UNIT - 2095 009 042

Fig.	P/n	QTY	Name
270.40	0.900.1377.8	1	screw m 8 x 16 -> (...)
290	0.010.2622.3	1	screw m 22 x 1.5
291	01118737	1	oil seal 22 x 27
300	04416185	2	shim
310	0.900.0957.3	1	gear -> (...)
310	04416186	1	gear wheel (...) <-
330	04416187	2	roller cage
340	04416188	1	pin
360	0.010.3351.2	1	oil seal 16x2
370	0.010.3349.2	1	roll pin 6 x 14
390	04416189	1	shaft
400	04416190	1	fork
420	0.010.3348.2	1	roll pin 8x36 -> (...)
420	0.900.0290.2	1	roll pin (...) <-
430	04416191	1	pin 5 x 36
450	04416192	2	shoe
460	0.900.0290.3	1	ring (...) <-
460	01295688	1	oil seal 17x1.5 -> (...)
480	04416193	1	pin
490	04416194	1	spring
510	0.010.3346.1	1	circlip 18x1 -> (...)
510	0.900.0289.7	1	circlip (...) <-
520	04416195	1	ring (...) <-
530	0.900.0953.3	2	cylindrical plug
540	04434540	8	screw m 10 x 35
548	0.900.0286.0	1	plate
550	04434554	2	screw m 6 x 60
560	0.010.3353.2	4	screw m 10 x 55



BEVEL WHEEL GEAR - 2095 009 042

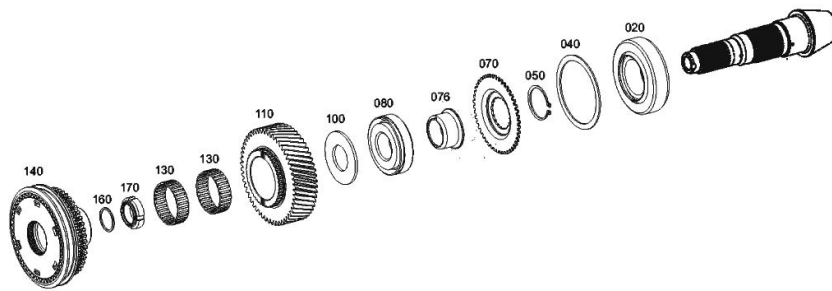
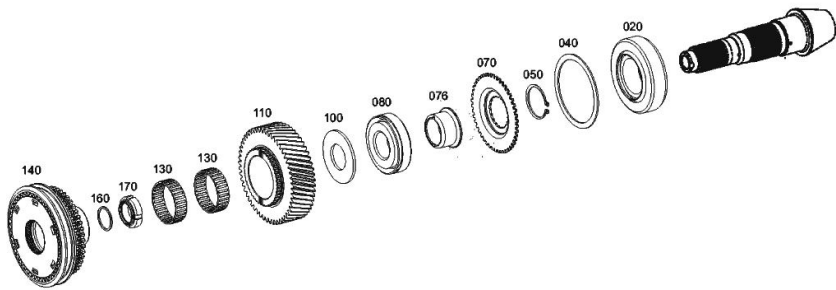


Fig.	P/n	QTY	Name
20	04416184	1	roller bearing
40	0.000.0000.1	1	cannot be supplied
40	0.010.3395.2	1	shim mm 2.375
40	0.010.3396.0	1	shim mm 2.425
40	0.010.3396.1	1	shim mm 2.475
40	0.010.3396.2	1	shim mm 2.525
40	0.010.3397.0	1	shim mm 2.575
40	0.010.3397.1	1	shim mm 2.625
40	04417579	1	shim mm 2.30
40	04417580	1	shim mm 2.35
40	04417581	1	shim mm 2.40
40	04417582	1	shim mm 2.45
40	04417583	1	shim mm 2.50
40	04417584	1	shim mm 2.55
40	04417585	1	shim mm 2.60
40	04417586	1	shim mm 2.65
40	04417587	1	shim mm 2.70
40	04419160	1	shim mm 1.90
40	04419161	1	shim mm 1.95
40	04419162	1	shim mm 2.00
40	04419163	1	shim mm 2.05
40	04419164	1	shim mm 2.10
40	04419165	1	shim mm 2.15
40	04419166	1	shim mm 2.20
40	04419167	1	shim mm 2.25
50	0.010.3345.1	1	circlip 50x2
70	04416382	1	lock washer
76	04416383	1	spacer
80	04433898	1	roller bearing
100	04416387	1	shim
110	0.900.0286.2	1	gear wheel
130	04416389	2	roller cage
140	0.900.0277.6	1	lock synchronizer
160	0.000.0000.1	1	cannot be supplied
160	04416561	1	shim mm 1.60
160	04416562	1	shim mm 1.65
160	04416563	1	shim mm 1.70
160	04416564	1	shim mm 1.75
160	04416565	1	shim mm 1.80
160	04416566	1	shim mm 1.85
160	04416567	1	shim mm 1.90
160	04416568	1	shim mm 1.95
160	04416569	1	shim mm 2.00
160	04416570	1	shim mm 2.05

BEVEL WHEEL GEAR - 2095 009 042

Fig.	P/n	QTY	Name
160	04416571	1	shim mm 2.10
160	04416572	1	shim mm 2.15
160	04416573	1	shim mm 2.20
160	04416574	1	shim mm 2.25
160	04416575	1	shim mm 2.30
160	04416576	1	shim mm 2.35
160	04416577	1	shim mm 2.40
160	04416578	1	shim mm 2.45
160	04416579	1	shim mm 2.50
170	04416391	1	nut



Buy Now



Our support email:

ebooklibonline@outlook.com