

HYDRAULIC SYSTEM OPEN CENTER

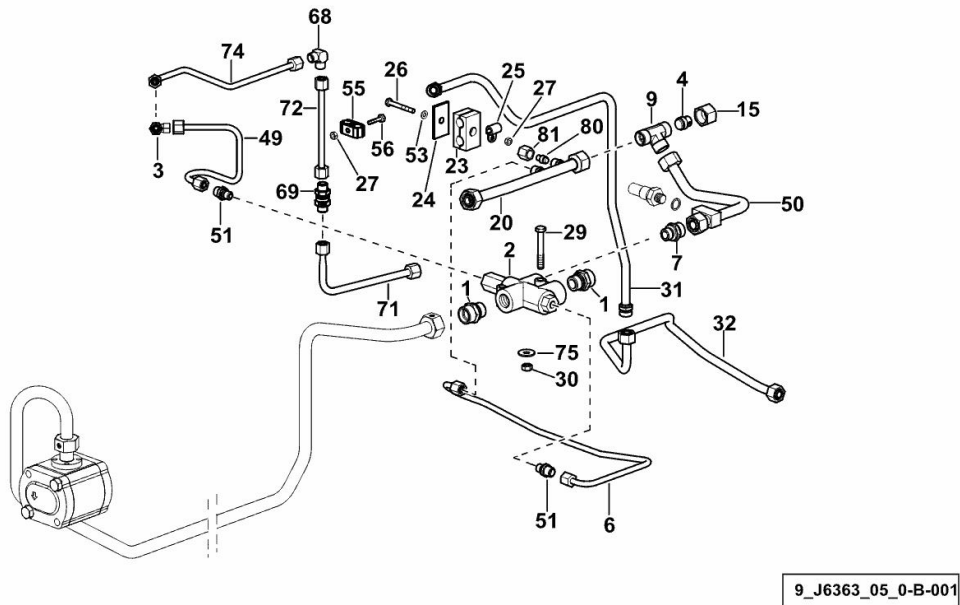


Fig.	P/n	QTY	Name
------	-----	-----	------

Notes:

- FOR TYPES WITH PNEUMATIC BRAKE [Agrotron M 600 -> 20001]

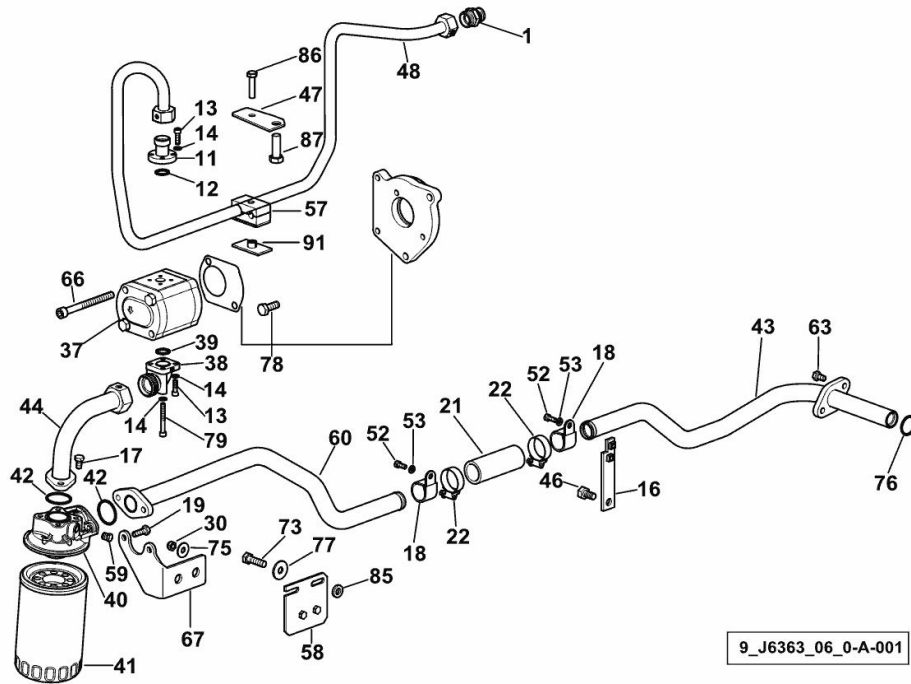
1	01177450	2	pipe fitting m 22 p.1.5x18
2	04450326	1	valve ☞ 04450326
3	04416020	1	pipe fitting T
4	01180617	1	cone
6	04450321/40	1	tube
7	01177226	1	pipe fitting m 18 p.1.5 x 15
9	01127372	1	pipe fitting 1 15 d3908
15	2.3369.022.2	1	nut
20	04454793	1	pipng
23	01175671	2	terminal 12-15
24	01175670	1	small plate
25	01172129	1	terminal B8X15
26	2.0112.019.2	1	screw m 6 p.1 x 50
27	2.1011.103.2	2	nut m 6 p.1
29	2.0112.220.2	1	screw m 8 p.1.25x55
30	2.1011.105.2	3	nut m 8 p.1.25
31	04454477/10	1	tube
32	04454478/10	1	tube
49	04454601/20	1	tube
50	04450545/20	1	pipng
51	01180557	2	pipe fitting m 12 p.1.5x8
53	2.1310.002.2	2	flat washer 6.4x12.5
55	04454482	1	fascia
56	2.0114.009.2	1	screw m 6 x 25, d933
68	04450567	1	vent
69	04450563	1	valve
71	04450550/20	1	tube
72	04450554/20	1	tube
74	04450568/10	1	vent
75	2.1312.004.2	3	washer 8x24x2
80	01180564	1	plug
81	2.3369.018.2	1	nut

HYDRAULIC SYSTEM OPEN CENTER

Fig.	P/n	QTY	Name
------	-----	-----	------

Notes:

- FOR TYPES WITHOUT PNEUMATIC BRAKE [Agrotron M 600 -> 20001]

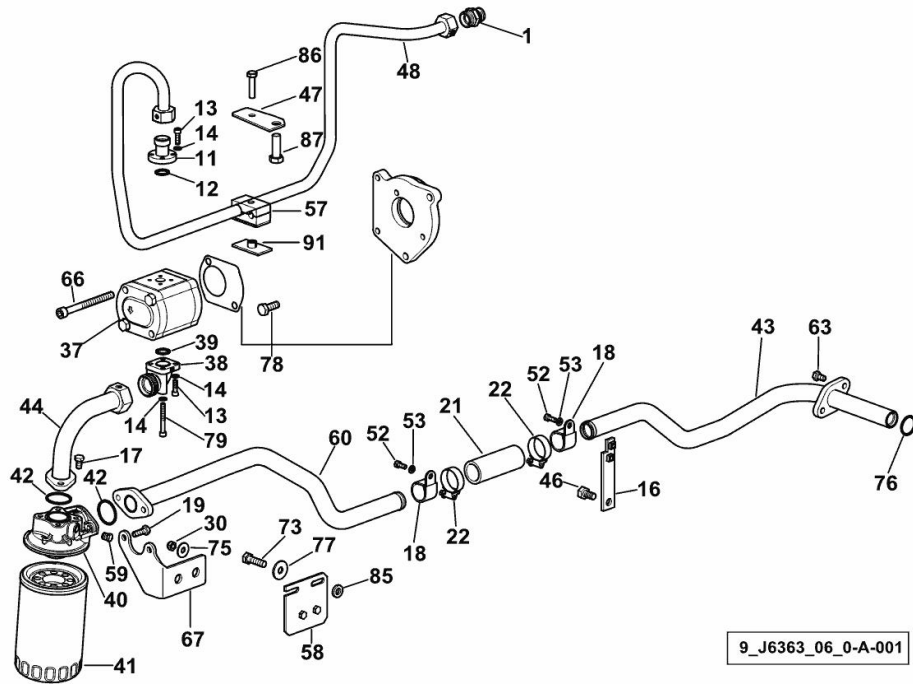


9_J6363_06_0-A-001

1	01177450	2	pipe fitting m 22 p.1.5x18
11	04450491	1	flange
12	06214809	1	oil seal 18x2,5
13	2.0312.106.2	6	screw m 6 p.1 x 20
14	2.1474.007.2	8	washer 6, d128
16	04453484.2	1	bracket
17	2.0114.207.2	2	screw m 8 p.1.25 x 20
18	01213283	1	clamp Ø 20/28
19	2.0112.211.2	2	screw m 8 p.1.25 x 30
21	0.016.2948.0	1	tube 28x37.6x100
22	2.6859.154.0	2	fascia
30	2.1011.105.2	3	nut m 8 p.1.25
37	04450322	1	hydraulic pump 16 ccm ☞ 04450322
38	16054977	1	flange Ø 28 / m 36 p.2
39	2.1530.066.0	1	oil seal 25.07x2.62
40	2.4419.350.1/40	1	head
41	2.4419.350.0/10	1	hydr.oil filter elem. Ø 107.7
42	2.1530.095.0	2	oil seal 36.14x2.62
43	04450573/10	1	tube
44	04455266.2	1	tube
46	2.0114.307.2	1	screw m 10 x 20, d933
47	0.016.6364.0	1	support
48	04455973.2	1	pipng
52	2.0112.005.2	1	screw m 6 p.1 x 16
53	2.1310.002.2	2	flat washer 6.4x12.5
57	04453993	1	fascia 18-10
58	0.015.5417.3	1	link
59	04450524	1	plug
60	04455971.2	1	tube
63	2.0114.209.2	2	screw m 8 x 25
66	2.0312.327.2	2	screw m 10 p.1.5x110
67	04455126	1	support
73	2.0112.313.2	2	screw m 10 p.1.5 x 35
75	2.1312.004.2	3	washer 8x24x2
76	04450572	1	oil seal 28x2
77	2.1310.006.2	2	flat washer 10.5x21
78	00290646	1	flange ☞ 00290646
79	2.0312.116.2	2	screw m 6 p.1 x 50
85	04455348	2	spacer

HYDRAULIC SYSTEM OPEN CENTER

Fig.	P/n	QTY	Name
86	2.0112.213.2	1	screw m 8 p.1.25 x 35
87	2.0114.413.2	1	screw m 12 x 35
91	01180338	1	small plate



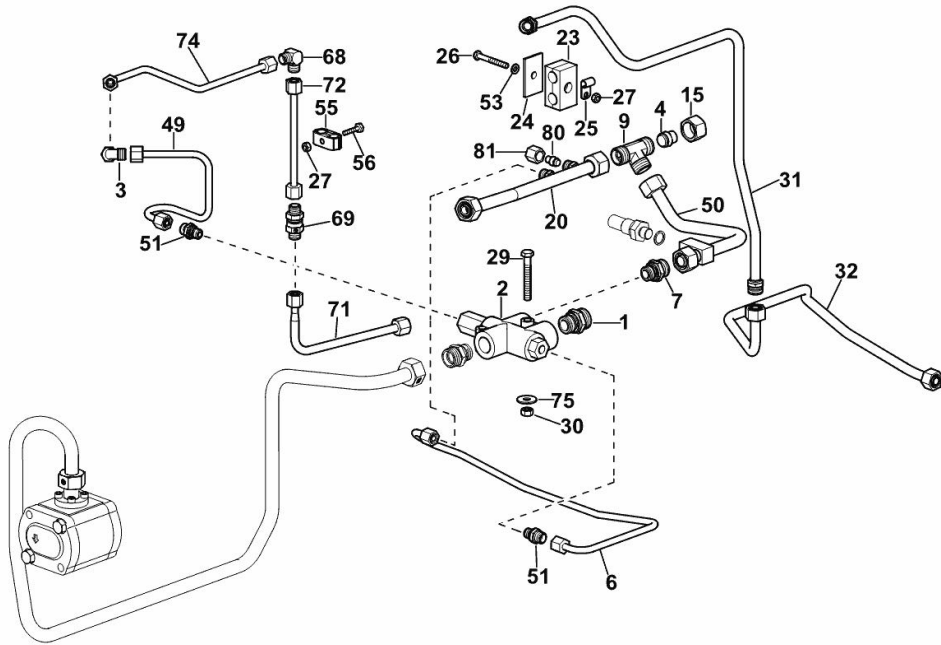
HYDRAULIC SYSTEM OPEN CENTER

Fig.	P/n	QTY	Name
------	-----	-----	------

Notes:

- FOR TYPES WITHOUT PNEUMATIC BRAKE [Agrotron M 600 -> 20001]

1	01177450	2	pipe fitting m 22 p.1.5x18
2	04450326	1	valve ☞ 04450326
3	04416020	1	pipe fitting T
4	01180617	1	cone
6	04450321/40	1	tube
7	01177226	1	pipe fitting m 18 p.1.5 x 15
9	01127372	1	pipe fitting 1 15 d3908
15	2.3369.022.2	1	nut
20	04454793	1	pipng
23	01175671	2	terminal 12-15
24	01175670	1	small plate
25	01172129	1	terminal B8X15
26	2.0112.019.2	1	screw m 6 p.1 x 50
27	2.1011.103.2	2	nut m 6 p.1
29	2.0112.220.2	1	screw m 8 p.1.25x55
30	2.1011.105.2	3	nut m 8 p.1.25
31	04454477/10	1	tube
32	04454478/10	1	tube
49	04454601/20	1	tube
50	04450545/20	1	pipng
51	01180557	2	pipe fitting m 12 p.1.5x8
53	2.1310.002.2	2	flat washer 6.4x12.5
55	04454482	1	fascia
56	2.0114.009.2	1	screw m 6 x 25, d933
68	04450567	1	vent
69	04450563	1	valve
71	04450550/20	1	tube
72	04450554/20	1	tube
74	04450568/10	1	vent
75	2.1312.004.2	3	washer 8x24x2
80	01180564	1	plug
81	2.3369.018.2	1	nut



9_J6363_06_0-B-001

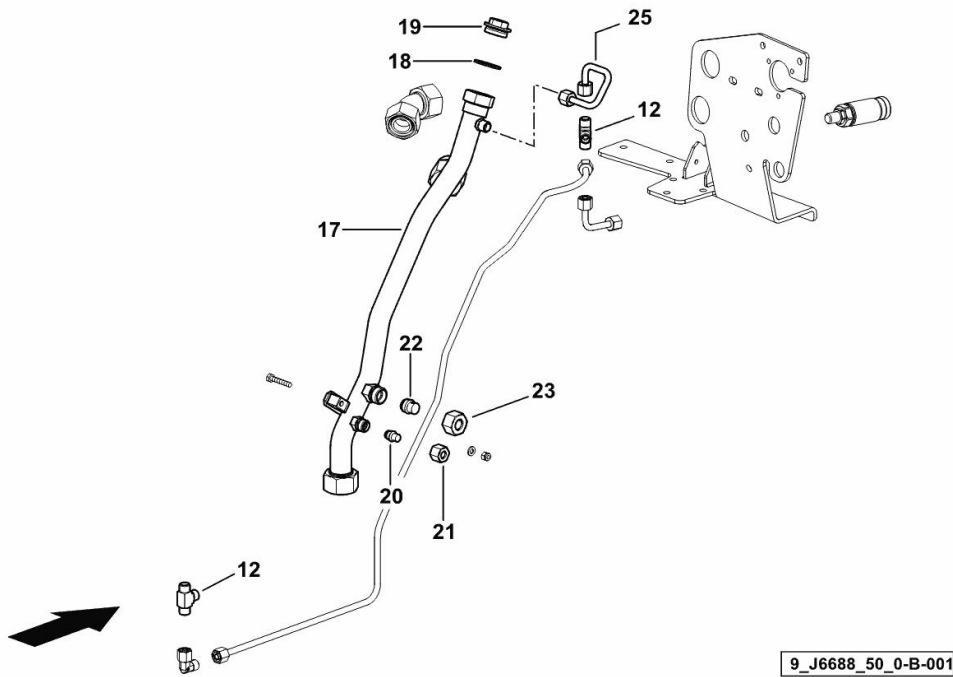
HYDRAULIC SYSTEM LOAD SENSING

Fig.	P/n	QTY	Name
------	-----	-----	------

Notes:

- POWER BEYOND [Agrotron M 600 -> 20001] -> 20600

12	04427045	2	pipe fitting T
17	0.018.3995.3	1	tube
18	2.1560.023.0	1	copper gasket 30.3 x 36
19	01118989	1	plug
20	04431440	1	nut
21	2.3369.026.2	1	nut m16x1,5
22	01180617	1	cone
23	2.3369.022.2	1	nut
25	0.018.4291.3	1	tube



HYDRAULIC SYSTEM LOAD SENSING

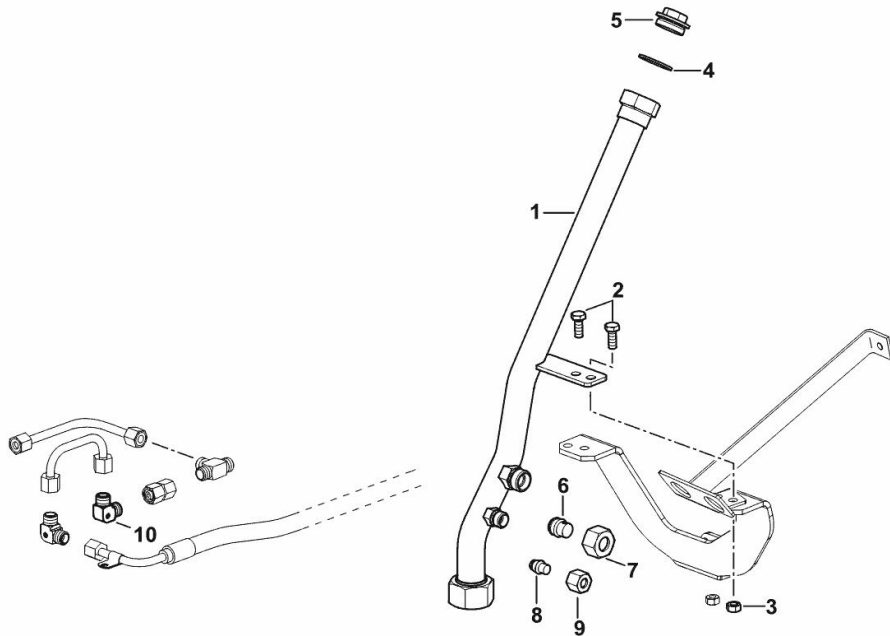
Fig.	P/n	QTY	Name
------	-----	-----	------

Notes:

- FOR TYPES W/O POWER BEYOND [Agrotron M 600 -> 20001] -> 20566

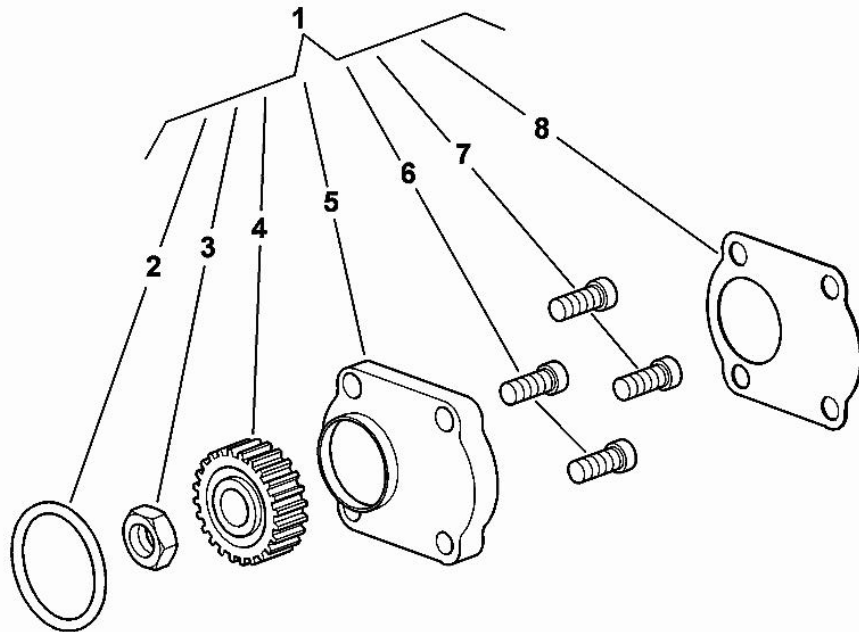
1	0.018.3996.3	1	tube
2	2.0112.207.2	2	screw m 8 p 1.25 x 20
3	2.1011.105.2	2	nut m 8 p.1.25
4	2.1560.023.0	1	copper gasket 30.3 x 36
5	01118989	1	plug
6	01180617	1	cone
7	2.3369.022.2	1	nut
8	04431440	1	nut
9	2.3369.026.2	1	nut m16x1,5
10	01143305	1	pipe fitting

9_J6788_50_0-A-001



FLANGE

Fig.	P/n	QTY	Name
1	00290646	1	flange
2	01151154	1	oil seal
3	01262635	1	nut
4	04283571	1	gear
5	04197431	1	flange
6	01179406	2	screw m 10 x 30
7	01181423	2	screw m 8 x 30
8	02239230	1	gasket



0029_0646

Buy Now



Our support email:

ebooklibonline@outlook.com