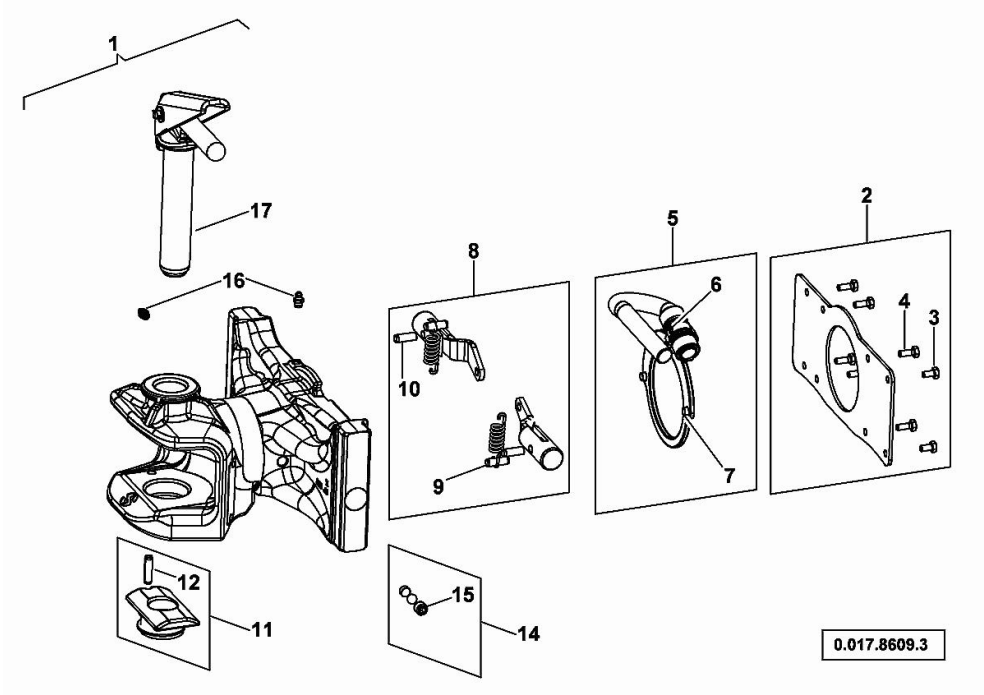


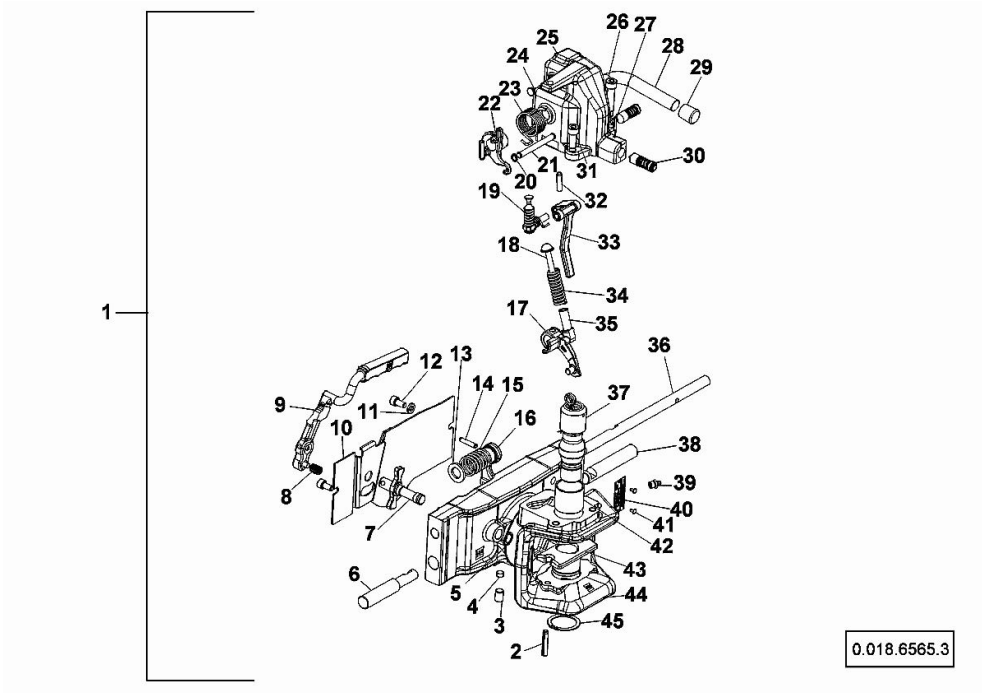
**DRAWBAR COUPLING**

Fig.	P/n	QTY	Name
1	0.017.8609.3	1	tow hook SAUERMANN
2	0.900.0384.5	1	plate
3	0.000.0000.1	2	cannot be supplied DIN EN20074-M6x12
4	0.000.0000.1	6	cannot be supplied DIN EN20074-M6x20
5	0.900.0384.1	1	accessories
6	0.000.0000.1	1	cannot be supplied ISO 8752 - 6x35
7	0.000.0000.1	2	cannot be supplied ISO 8734 - 8 M6x10
8	0.900.0384.2	1	accessories
9	0.000.0000.1	2	cannot be supplied ISO 8736 - 6 M6x26
10	0.000.0000.1	2	cannot be supplied ISO 8734 - 8 M6x24
11	0.900.0384.9	1	pin
12	0.000.0000.1	1	cannot be supplied ISO 8750 - 8x30
13	0.000.0000.1	1	cannot be supplied DIN471- 45X1,75
14	0.900.1425.2	1	spare parts kit
15	0.000.0000.1	1	cannot be supplied DIN 000913-M10 X 10
16	0.000.0000.1	2	cannot be supplied DIN 71412-A M8x1
17	0.900.1425.4	1	pin



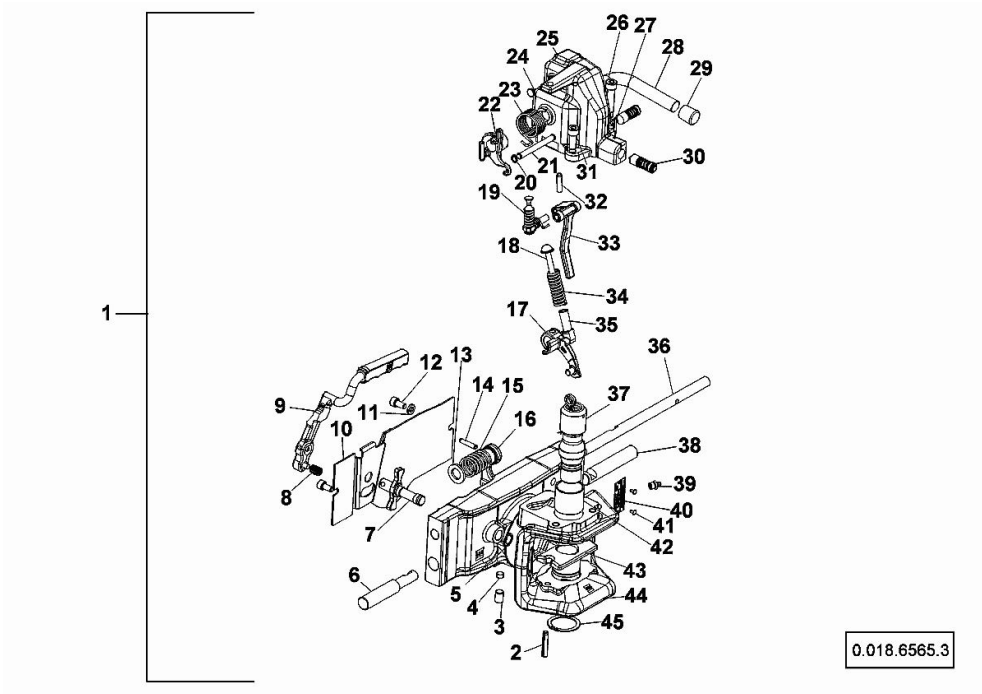
**TOWING HITCH**

Fig.	P/n	QTY	Name
1	0.018.6565.3	1	tow hook CBM
2	0.900.0510.5	1	roll pin 8 x 40
3	0.900.1177.0	1	screw m 12 x 16
4	0.900.1177.2	1	cylindrical plug
5	0.900.1176.9	1	circlip
6	0.900.1177.4	1	pin
7	0.900.1177.5	1	pin
8	0.900.1177.7	1	spring
9	0.900.1177.6	1	lever
10	0.900.1591.4	1	plate
11	0.900.1178.2	1	washer
12	0.900.1178.1	2	screw m 8 x 16
13	0.010.3946.2	1	washer
14	0.900.1178.4	2	pin 6 x 30
15	0.900.1178.5	1	spring
16	0.900.1178.6	1	small plate
17	0.900.1577.6	1	lever
18	0.900.1179.3	1	pin
19	0.900.1577.7	1	cap
20	0.900.1179.8	2	circlip
21	0.900.1179.9	1	shaft
22	0.900.1181.0	1	lever
23	0.900.1181.1	1	spring
24	0.900.1180.0	1	plug
25	0.000.0000.1		cannot be supplied
26	0.900.1180.2	1	screw m 10 x 40
27	0.900.1180.5	2	pin 4x22
28	0.900.1180.3	1	lever
29	0.900.1180.4	1	plug
30	0.900.1577.9	2	pin
31	0.900.1179.7	1	screw m10x25
32	0.900.1179.6	2	pin 8x28
33	0.900.1578.0	1	sensor
34	0.900.1578.1	1	spring
35	0.900.1179.1	1	pin
36	0.900.1178.9	1	pin
37	0.900.1591.5	1	pin
38	0.900.1178.8	1	pin
39	0.900.1178.7	1	grease gun m 10 p.1
40	0.900.1455.6	1	plate
41	0.900.0510.2	2	rivet Ø 3.5 / L = 6.5
42	0.900.1455.5	1	bushing
43	0.900.1578.3	1	bushing
44	0.000.0000.1		cannot be supplied



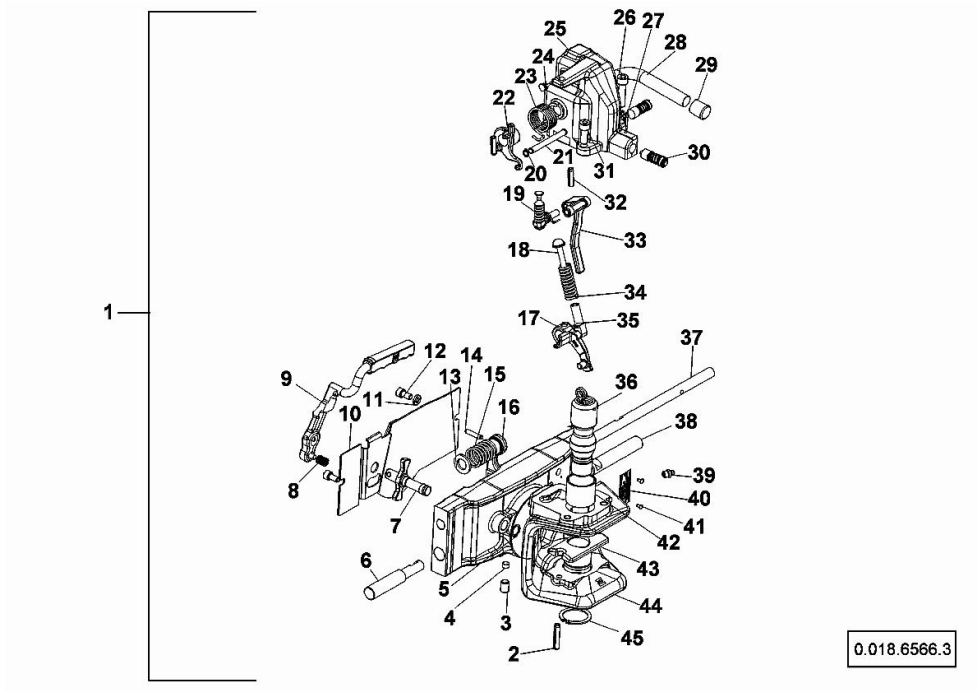
**TOWING HITCH**

Fig.	P/n	QTY	Name
45	0.900.1176.8	1	circlip



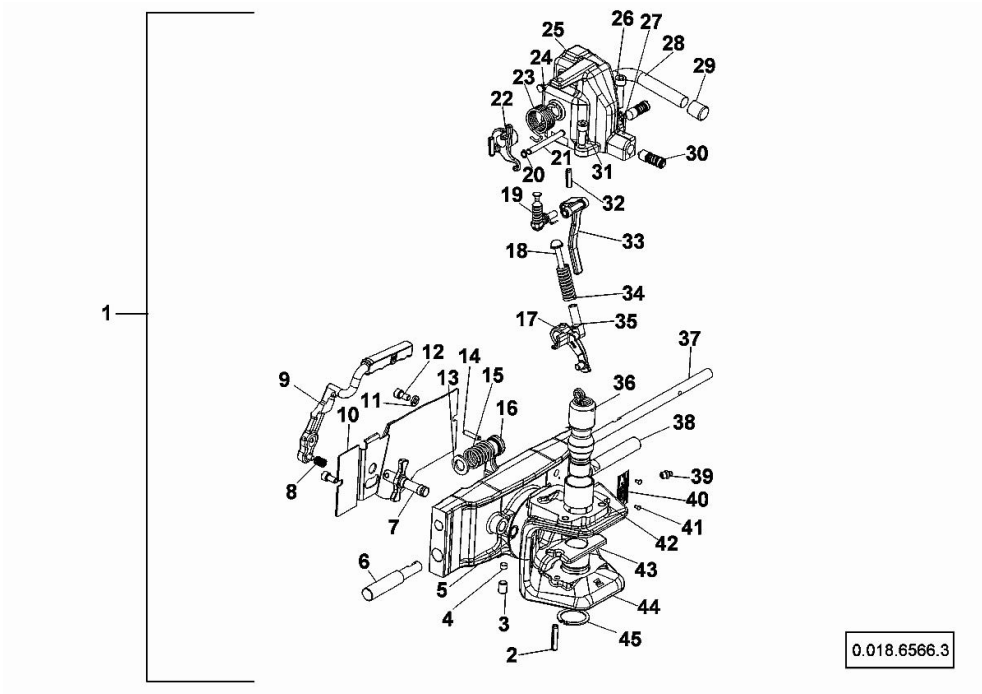
**DRAWBAR COUPLING**

Fig.	P/n	QTY	Name
1	0.018.6566.3	1	tow hook CBM
1	0.900.1177.0	1	screw m 12 x 16
2	0.900.0510.5	1	roll pin 8 x 40
4	0.900.1177.2	1	cylindrical plug
5	0.900.1176.9	1	circlip
6	0.900.1177.4	1	pin
7	0.900.1177.5	1	pin
8	0.900.1177.7	1	spring
9	0.900.1177.6	1	lever
10	0.900.1591.4	1	plate
11	0.900.1178.2	1	washer
12	0.900.1178.1	2	screw m 8 x 16
13	0.010.3108.0	1	washer 17x30
14	0.900.1178.4	2	pin 6 x 30
15	0.900.1178.5	1	spring
16	0.900.1178.6	1	small plate
17	0.900.1577.6	1	lever
18	0.900.1179.3	1	pin
19	0.900.1577.7	1	cap
20	0.900.1179.8	2	circlip
21	0.900.1179.9	1	shaft
22	0.900.1181.0	1	lever
23	0.900.1181.1	1	spring
24	0.900.1180.0	1	plug
25	0.000.0000.1		cannot be supplied
26	0.900.1180.2	1	screw m 10 x 40
27	0.900.1180.5	2	pin 4x22
28	0.900.1180.3	1	lever
29	0.900.1180.4	1	plug
30	0.900.1577.9	2	pin
31	0.900.1179.7	1	screw m10x25
32	0.900.1179.6	2	pin 8x28
33	0.900.1578.0	1	sensor
34	0.900.1578.1	1	spring
35	0.900.1179.1	1	pin
36	0.900.1591.5	1	pin
37	0.900.1178.9	1	pin
38	0.900.1178.8	1	pin
39	0.900.1178.7	1	grease gun m 10 p.1
40	0.900.1591.6	1	plate
41	0.900.0510.2	2	rivet Ø 3.5 / L = 6.5
42	0.900.1455.5	1	bushing
43	0.900.1578.3	1	bushing
44	0.000.0000.1		cannot be supplied



**DRAWBAR COUPLING**

Fig.	P/n	QTY	Name
45	0.900.1176.8	1	circlip



**DRAWBAR COUPLING**

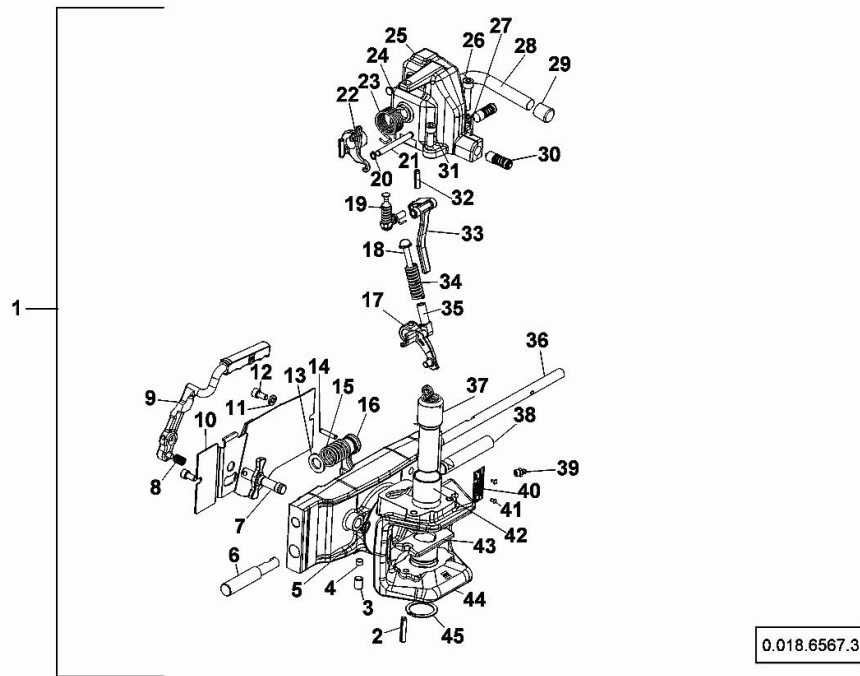
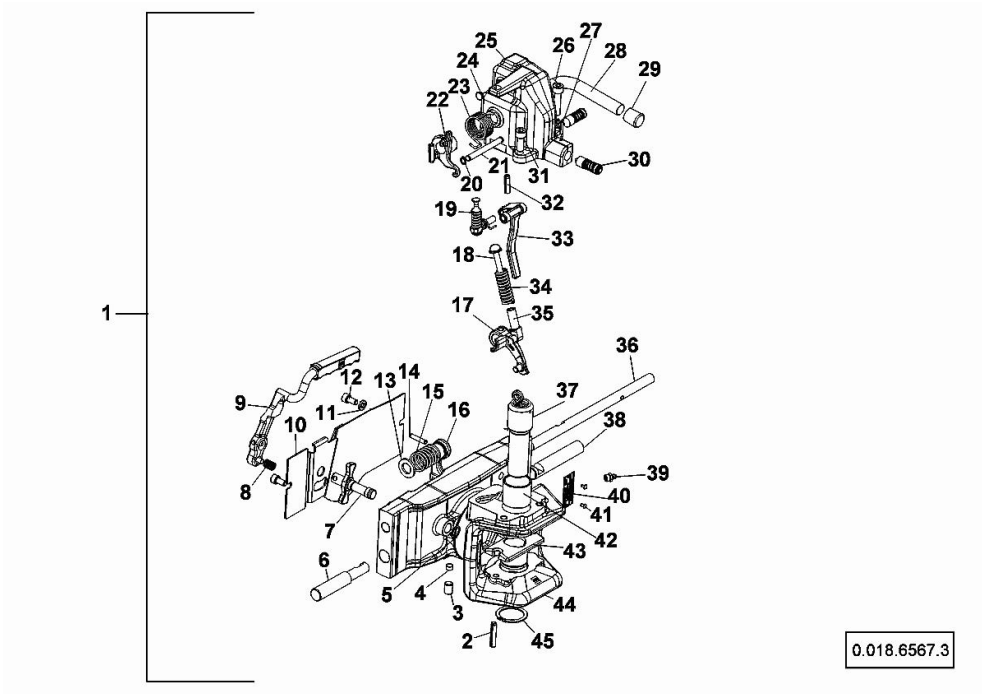


Fig.	P/n	QTY	Name
1	0.018.6567.3	1	tow hook CBM - CEE Ø 31
2	0.900.0510.5	1	roll pin 8 x 40
3	0.900.1177.0	1	screw m 12 x 16
4	0.900.1177.2	1	cylindrical plug
5	0.900.1176.9	1	circlip
6	0.900.1177.4	1	pin
7	0.900.1177.5	1	pin
8	0.900.1177.7	1	spring
9	0.900.1177.6	1	lever
10	0.900.1591.4	1	plate
11	0.900.1178.2	1	washer
12	0.900.1178.1	2	screw m 8 x 16
13	0.010.3108.0	1	washer 17x30
14	0.900.1178.4	2	pin 6 x 30
15	0.900.1178.5	1	spring
16	0.900.1178.6	1	small plate
17	0.900.1577.6	1	lever
18	0.900.1179.3	1	pin
19	0.900.1577.7	1	cap
20	0.900.1179.8	2	circlip
21	0.900.1179.9	1	shaft
22	0.900.1181.0	1	lever
23	0.900.1181.1	1	spring
24	0.900.1180.0	1	plug
25	0.000.0000.1		cannot be supplied
26	0.900.1180.2	1	screw m 10 x 40
27	0.900.1180.5	2	pin 4x22
28	0.900.1180.3	1	lever
29	0.900.1180.4	1	plug
30	0.900.1577.9	2	pin
31	0.900.1179.7	1	screw m10x25
32	0.900.1179.6	2	pin 8x28
33	0.900.1578.0	1	sensor
34	0.900.1578.1	1	spring
35	0.900.1179.1	1	pin
36	0.900.1178.9	1	pin
37	0.900.1578.2	1	pin
38	0.900.1178.8	1	pin
39	0.900.1178.7	1	grease gun m 10 p.1
40	0.900.1455.6	1	plate
41	0.900.0510.2	2	rivet Ø 3.5 / L = 6.5
42	0.900.1455.5	1	bushing
43	0.900.1578.3	1	bushing
44	0.000.0000.1		cannot be supplied

**DRAWBAR COUPLING**

Fig.	P/n	QTY	Name
45	0.900.1176.8	1	circlip



**Buy Now**



Our support email:

[ebooklibonline@outlook.com](mailto:ebooklibonline@outlook.com)