

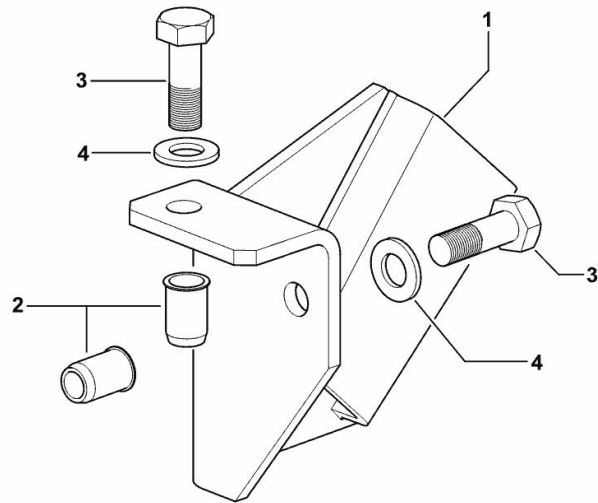
HANDBRAKE SUPPORT FOR TRAILER

Fig.	P/n	QTY	Name
------	-----	-----	------

Notes:

- ITALY [Agrotron M 610 Profiline]

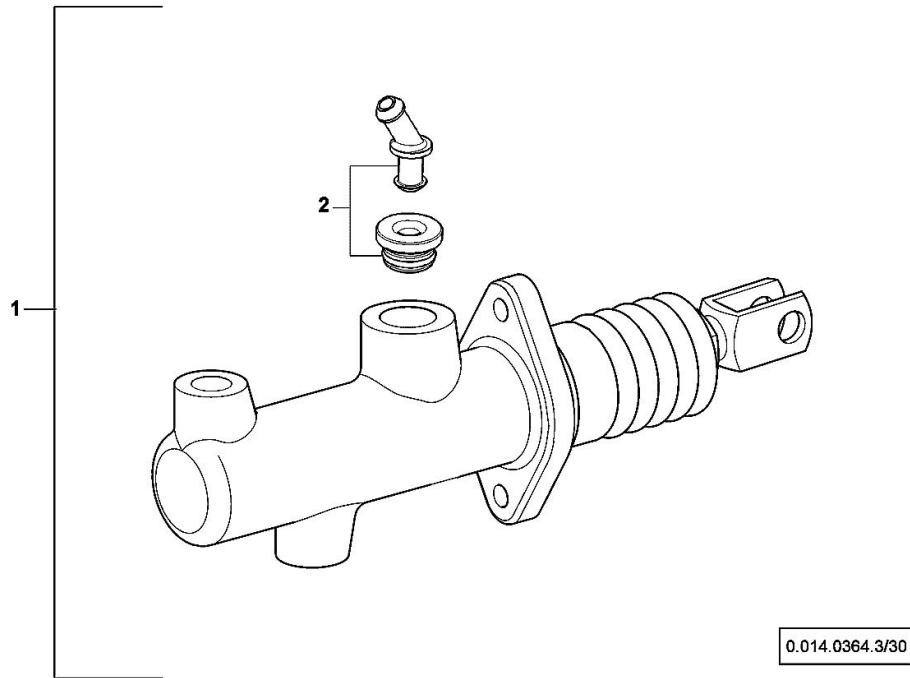
1	0.011.4447.2	1	support
2	2.1142.012.2	2	insert m10
3	2.0112.311.2	2	screw m 10 p.1.5 x 30
4	2.1475.003.2	2	washer 10



K9_11344_20_0-A-001

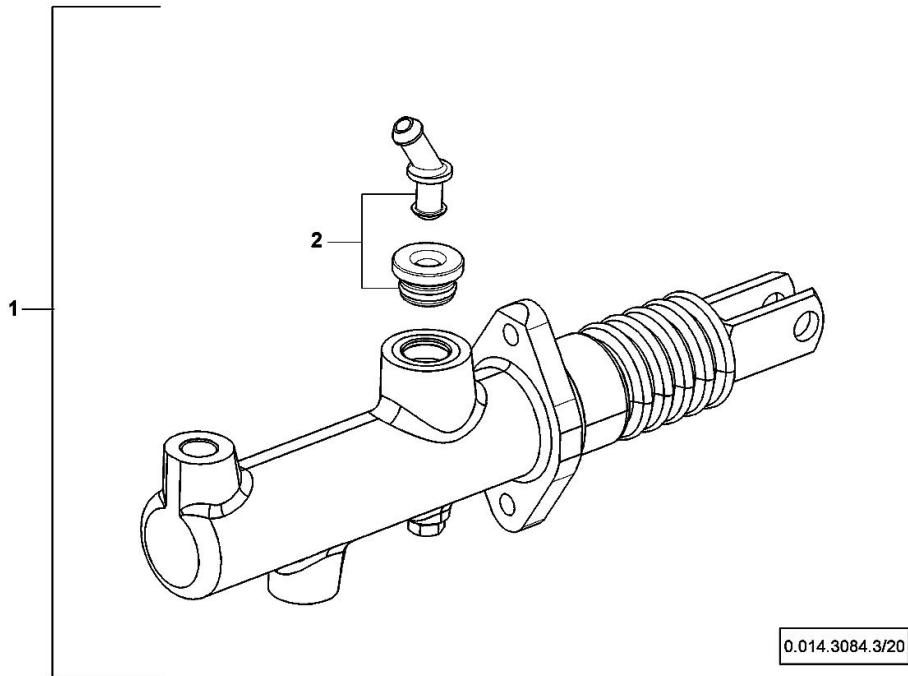
MASTER CYLINDER PARTS

Fig.	P/n	QTY	Name
1	0.014.0364.3/30	1	brake pump
2	0.019.5575.0	1	coupling



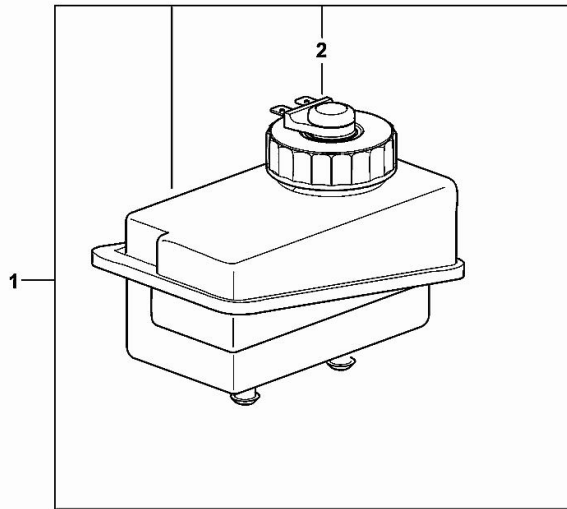
MASTER CYLINDER PARTS

Fig.	P/n	QTY	Name
1	0.014.3084.3/20	1	brake pump
2	0.019.5575.0	1	coupling



OIL RESERVOIR

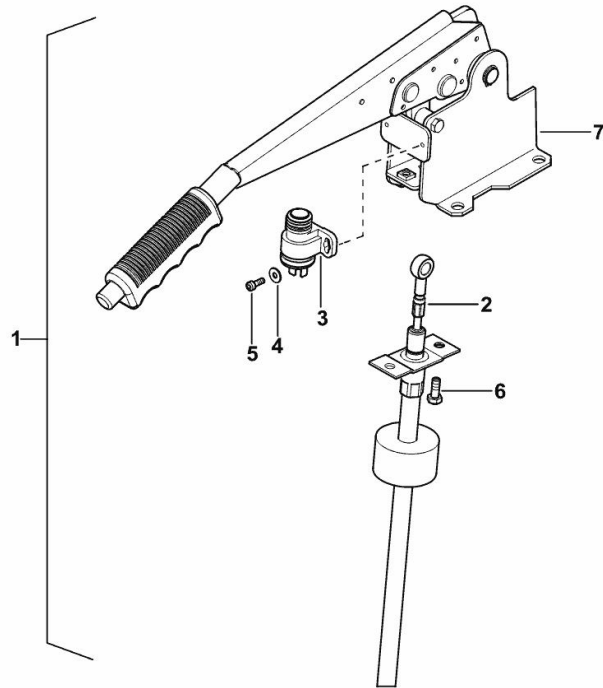
Fig.	P/n	QTY	Name
1	0.017.3299.0	1	small tank
2	0.900.1581.9	1	plug



0.017.3299.0

HAND BRAKE

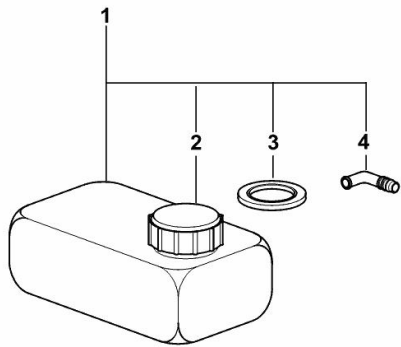
Fig.	P/n	QTY	Name
1	0.018.2467.4	1	handbrake lever
2	0.900.1576.1	1	rod
3	0.900.1576.2	1	switch
4	0.900.1576.3	2	washer
5	0.900.1576.4	2	screw m4x12
6	0.900.1576.5	2	screw m6x20
7	0.900.1576.6	1	handbrake lever



0.018.2467.4

TANK - PARTS

Fig.	P/n	QTY	Name
1	04432281	1	tank
2	04438477	1	cover
3	04414695	1	ring
4	04305837	1	pipe fitting 6, d128



04432281

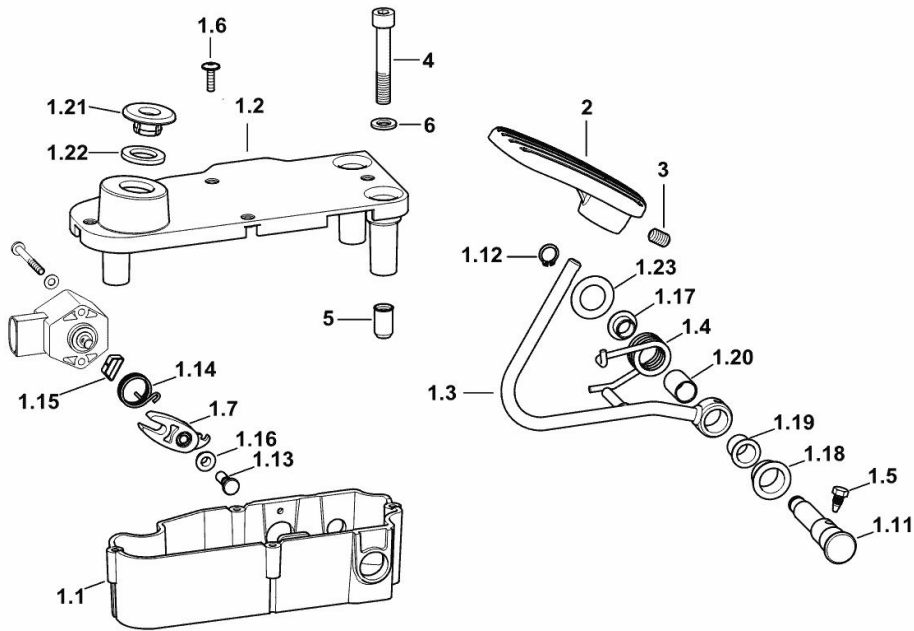
ELECTRONIC ACCELERATOR CONTROL

Fig.	P/n	QTY	Name
------	-----	-----	------

Notes:

[Agrotron M 610 Profiline] 10589 <-

1.1	0.010.8694.2/30	1	box
1.2	0.012.6572.0	1	cover
1.3	0.010.8699.2/30	1	lever
1.4	2.4099.115.2/30	1	spring
1.5	2.0399.272.2	1	screw m 5
1.6	2.0363.105.2	4	screw m 4
1.7	0.011.6578.0	1	lever
1.11	0.011.6028.0/10	1	pin
1.12	2.1410.001.1	1	circlip 10
1.13	2.1699.492.2/20	1	pin
1.14	2.4099.134.2	1	spring
1.15	0.011.3791.0	1	clip
1.16	2.2841.010.0	1	bushing 6x8x6
1.17	2.2841.034.0	1	bushing 10x12x7
1.18	2.2841.071.0	1	bushing 16x18x12
1.19	2.2841.043.0	1	bushing 12 x 14 x 15
1.20	2.2840.042.0	1	bushing 12x14x20
1.21	0.011.9149.0	1	plug
1.22	0.011.8709.0	1	washer
1.23	2.1599.044.2	1	shoulder ring
2	0.010.8696.2/20	1	accel. pedal
3	2.0512.204.7	1	grub screw m 8 p.1.25 x 12
4	2.0312.216.2	3	screw m 8 p.1.25x50
5	2.1142.011.2	3	insert m 8
6	2.1474.009.2	3	spring washer 8



K9_B7467_00_0-A-001

Buy Now



Our support email:

ebooklibonline@outlook.com