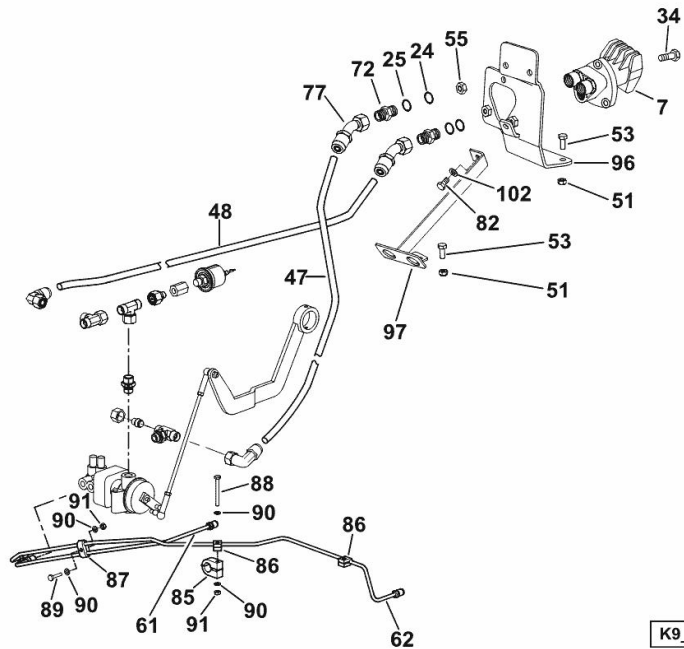


AIR BRAKING

Fig.	P/n	QTY	Name
------	-----	-----	------

Notes:

- ITALY [Agrotron M 615 Profiline]



K9_S9289_16_0-D-001

7	04426782	1	connection
24	02523700	10	ring
25	02523701	10	ring
34	2.0114.309.2	7	screw m 10 p 1.25 x 25
47	04452329	1	piping Ø 12 / L = mm 1070
48	04452328	1	piping Ø 12 / L = mm 1080
51	2.1011.105.2	6	nut m 8 p.1.25
53	2.0112.207.2	4	screw m 8 p 1.25 x 20
55	2.1011.106.2	3	nut m 10 p.1.5
61	04454276	1	tube
62	04454275/10	1	tube
72	01143570	2	pipe fitting m 22 x 1.5
77	04437700	2	connector
82	2.0112.205.2	1	screw m 8 p.1.25 x 16
85	04454609	1	terminal Ø 18
86	01141501	2	clamp Ø 6
87	2.3321.002.0	1	terminal Ø 6.35
88	2.0112.020.2	1	screw m 6 p.1 x 55
89	2.0112.009.2	1	screw m 6 p.1 x 25
90	2.1312.003.2	5	washer 6
91	2.1120.003.2	6	self-locking nut m 6
96	04452331.3/10	1	support
97	04452306.4	1	support
102	2.1310.004.2	1	flat washer 8.4x17

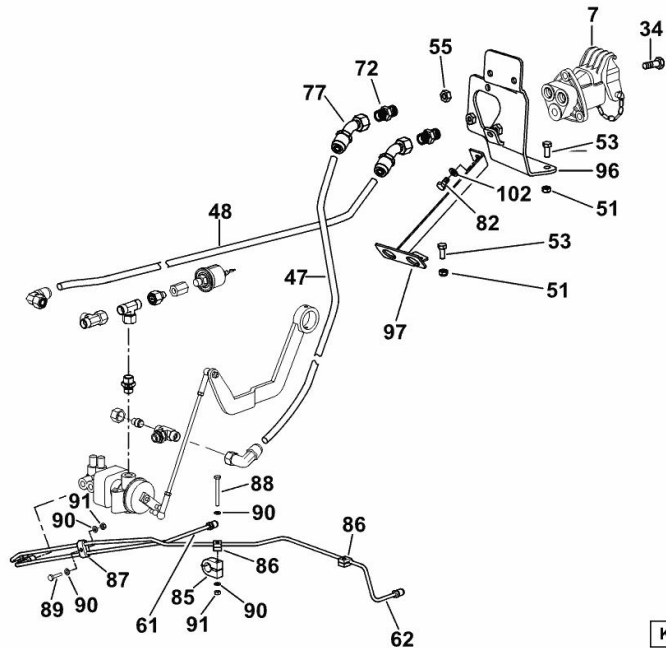
AIR BRAKING

Fig.	P/n	QTY	Name
------	-----	-----	------

Notes:

- ITALY [Agrotron M 615 Profiline] -> 10043

7	0.010.4582.4	1	joint CUNA ☞ 0.010.4582.4
34	2.0114.309.2	3	screw m 10 p 1.25 x 25
47	04452329	1	pipng Ø 12 / L = mm 1070
48	04452328	1	pipng Ø 12 / L = mm 1080
51	2.1011.105.2	6	nut m 8 p.1.25
53	2.0112.207.2	4	screw m 8 p 1.25 x 20
55	2.1011.106.2	3	nut m 10 p.1.5
61	04454276	1	tube
62	04454275/10	1	tube
72	01178350	2	pipe fitting m 18 p.1.5x12
77	04437700	2	connector
82	2.0112.205.2	1	screw m 8 p.1.25 x 16
85	04454609	1	terminal Ø 18
86	01141501	2	clamp Ø 6
87	2.3321.002.0	1	terminal Ø 6.35
88	2.0112.020.2	1	screw m 6 p.1 x 55
89	2.0112.009.2	1	screw m 6 p.1 x 25
90	2.1312.003.2	5	washer 6
91	2.1120.003.2	4	self-locking nut m 6
96	04452331.3/10	1	support
97	04452306.4	1	support
102	2.1310.004.2	3	flat washer 8.4x17



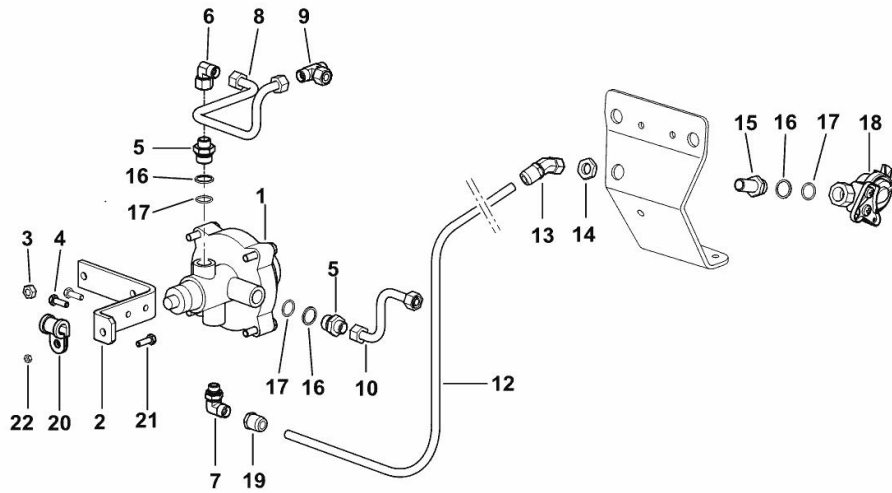
K9_S9289_16_0-D-002

AIR BRAKING

Fig.	P/n	QTY	Name
------	-----	-----	------

Notes:

[Agrotron M 615 Profiline]



1	0.012.1712.4	1	valve ☞ 0.012.1712.4
2	04455010	1	bracket
3	2.1011.106.2	2	nut m 10 p.1.5
4	2.0112.209.2	2	screw m 8 p 1.25 x 25
5	04453867	2	pipe fitting
6	01144832	1	pipe fitting
7	04454066	1	pipe fitting L
8	04454294/10	1	piping
9	01144831	1	pipe fitting T
10	04454295	1	piping
12	04452330	1	piping Ø 12 / L = mm 1320
13	04437700	1	connector
14	2.1012.510.7	1	nut m 18 p.1.5
15	01143567	1	pipe fitting m 22 x 1.5
16	02523701	3	ring
17	02523700	3	ring
18	04322997	1	socket - BLACK
19	04438664	1	pipe fitting
20	2.6839.055.0	1	clamp Ø 11 / 20
21	2.0114.205.2	1	screw m 8 p.1.25 x 16
22	2.1011.105.2	1	nut m 8 p.1.25

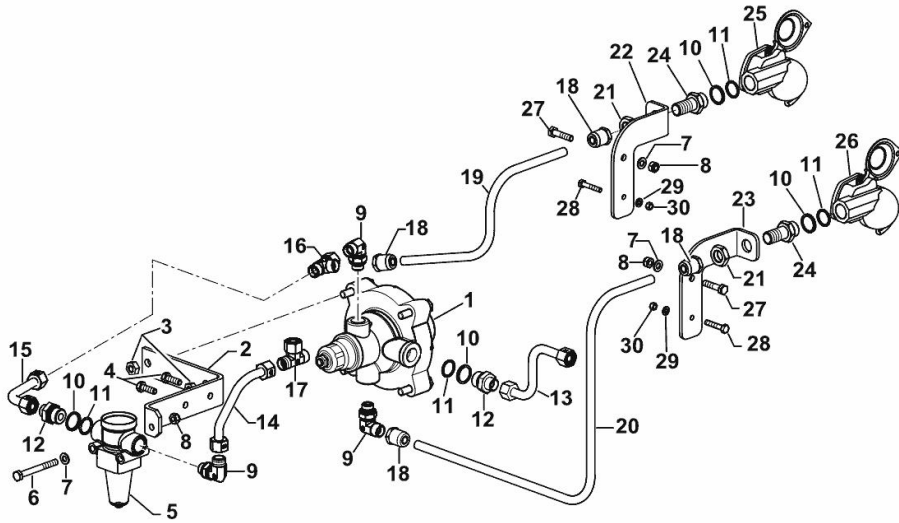
K9_D4089_17_0-A-001

AIR BRAKING

Fig.	P/n	QTY	Name
------	-----	-----	------

Notes:

- EXPORT CH [Agrotron M 615 Profiline]



K9_G7989_15_0-A-001

1	0.012.1713.4	1	valve
2	04455010	1	bracket
3	2.1011.106.2	2	nut m 10 p.1.5
4	2.0112.209.2	2	screw m 8 p 1.25 x 25
5	04454570	1	valve
6	2.0112.224.2	1	screw m 8 p.1.25x75
7	2.1310.004.2	3	flat washer 8.4x17
8	2.1121.005.2	3	nut m 8 p.1.25
9	04454066	3	pipe fitting L
10	02523701	4	ring
11	02523700	4	ring
12	01143570	2	pipe fitting m 22 x 1.5
13	04454295	1	pipng
14	04455008	1	tube
15	04455009	1	tube
16	01144813	1	pipe fitting T
17	01144831	1	pipe fitting T
18	04438664	4	pipe fitting
19	04438127	1	tube L = mm 1650
20	04438128	1	tube L = mm 1690
21	2.1012.510.7	2	nut m 18 p.1.5
22	04454560	1	bracket dx/rh/re
23	04454561	1	bracket sx/lh/li
24	01143567	2	pipe fitting m 22 x 1.5
25	04454569	1	socket
			- RED COLOUR
26	04454568	1	socket
			- YELLOW COLOUR
27	2.0114.213.2	2	screw m 8 x 35
28	2.0112.013.2	2	screw m 6 p.1 x 35
29	2.1310.002.2	2	flat washer 6.4x12.5
30	2.1121.003.2	2	self-locking nut

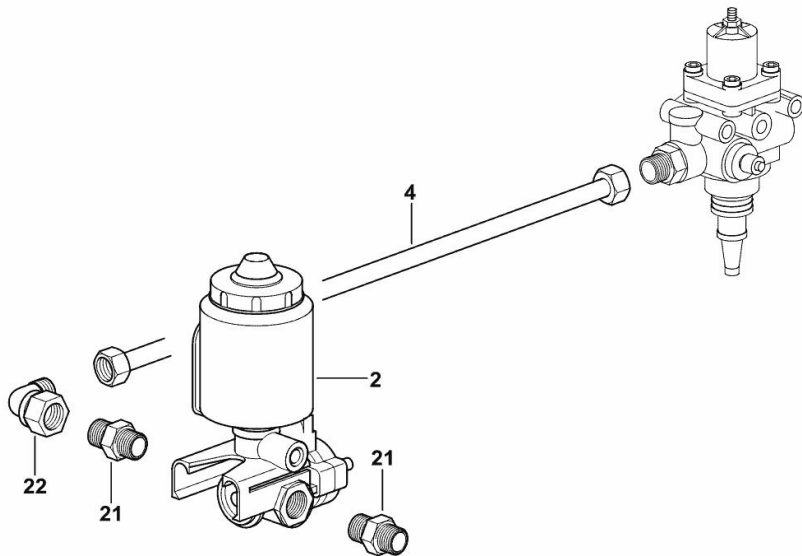
AIR BRAKING SYSTEM PARTS KIT

Fig.	P/n	QTY	Name
------	-----	-----	------

Notes:

- EXPORT CH [Agrotron M 615 Profiline]

2	04453936	1	pump ☞ 04453936
4	04454880.2/10	1	tube
21	01179203	2	pipe fitting m 22 p.1.5x15
22	01144817	1	pipe fitting 90°



K9_F5389_50_0-A-001

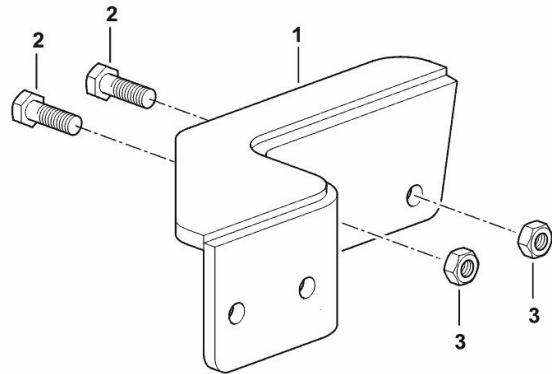
BRACKET FOR PNEUMATIC BRAKING SYSTEM

Fig.	P/n	QTY	Name
------	-----	-----	------

Notes:

[Agrotron M 615 Profiline]

1	04454466.3/10	1	support
2	2.0112.311.2	2	screw m 10 p.1.5 x 30
3	2.1011.106.2	2	nut m 10 p.1.5



K9_D4089_18_0-A-001

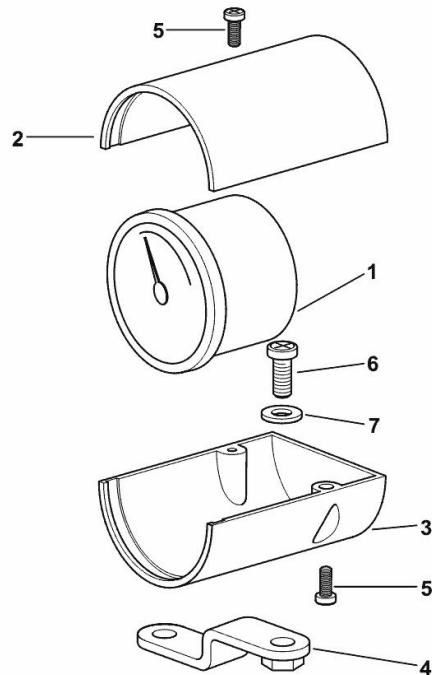
AIR-PRESSURE GAUGE

Fig.	P/n	QTY	Name
------	-----	-----	------

Notes:

[Agrotron M 615 Profiline]

1	0.011.9433.0	1	air pressure gauge 10 bar
2	04415455	1	guard
3	04415456	1	guard
4	0.011.7028.3	1	bracket
5	2.0361.406.2	2	screw m 4 x 10
6	2.0330.404.2	1	screw m 6 x 12
7	2.1312.003.2	1	washer 6



K9_11374_10_0-A-001

Buy Now



Our support email:

ebooklibonline@outlook.com