

Section: G0 - BODYWORK - CAB
CLIMATE CONTROL SYSTEM

K9_S3186_20_0-A-003

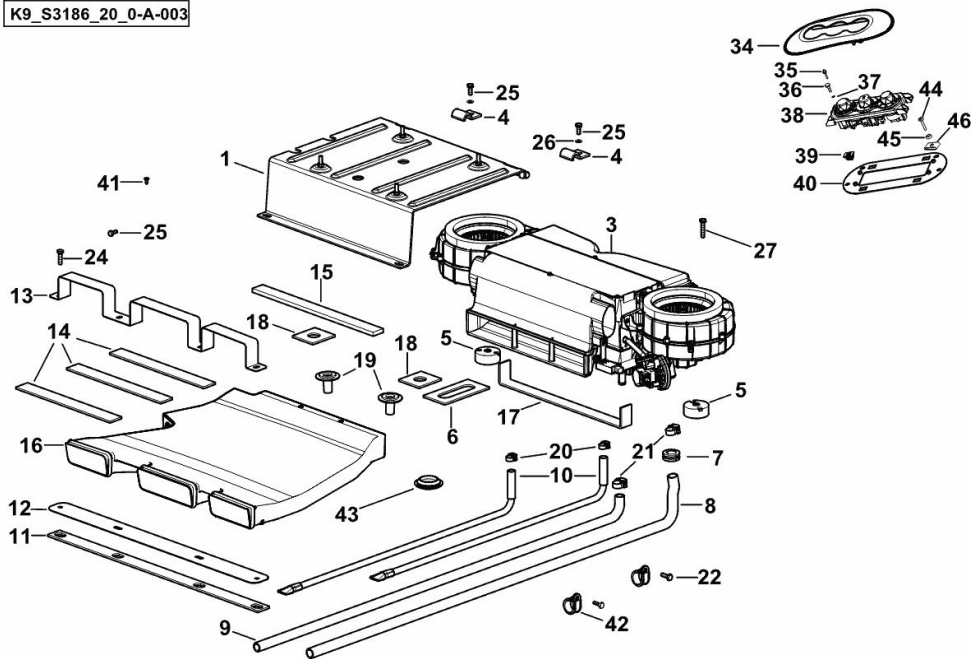


Fig.	P/n	QTY	Name
------	-----	-----	------

Notes:

[Agrotron M 615] -> 10131

1	04429952.4/30	1	cover
3	0.018.5821.4/10	1	heating unit ☞ 0.018.5821.4/10
4	0.010.6539.0/40	2	hinge
5	0.014.8200.0	2	block
6	0.017.0996.0/10	1	gasket
7	2.6569.047.0	1	rubber plug
8	0.018.5872.0/10	1	tube
9	0.018.5870.0/20	1	tube
10	0.011.4589.3/10	2	flexible hose
11	0.017.1005.0	1	gasket
12	04429732	1	plate
13	0.010.8331.0/10	1	clamp
14	0.017.1004.0	3	gasket
15	0.017.1003.0	1	gasket
16	0.010.8330.0/10	1	duct
17	0.017.1001.0/10	1	gasket
18	0.017.1000.0/10	2	gasket
19	0.013.0425.0	2	tube
20	2.6851.019.0	2	clamp Ø 13/20
21	2.6851.001.0	4	clamp Ø 16/25
22	2.0112.009.2	4	screw m 6 p.1 x 25
24	2.0114.211.2	4	screw m 8 x 30
25	04426352	8	screw m 8 p.1.25 x 20
26	2.1310.004.2	9	flat washer 8.4x17
27	2.0114.215.2	1	screw m 8 p.1.25 x 40
34	0.018.5875.2	1	front grille
35	0.018.5877.0	4	pin M 4 x 11.5 (10181 <-)
35	0.020.6895.0	4	pin M 4 x 19
36	2.0330.406.2	4	screw m 6 p.1.0 x 16
37	2.1310.002.2	4	flat washer 6.4x12.5
38	0.018.5874.4	1	control
39	0.018.5878.4	4	clip
40	0.018.5876.2/10	1	support (10181 <-)
40	0.018.5876.2/20	1	support
41	01172669	2	rivet 4.8x10.3
42	2.6839.054.0	4	clamp Ø 20/25
43	2.6070.004.0	1	plug 25
44	04416919	4	screw m 4.8x32
45	2.1599.573.0	4	washer 5.4
46	2.6999.047.0	4	clip

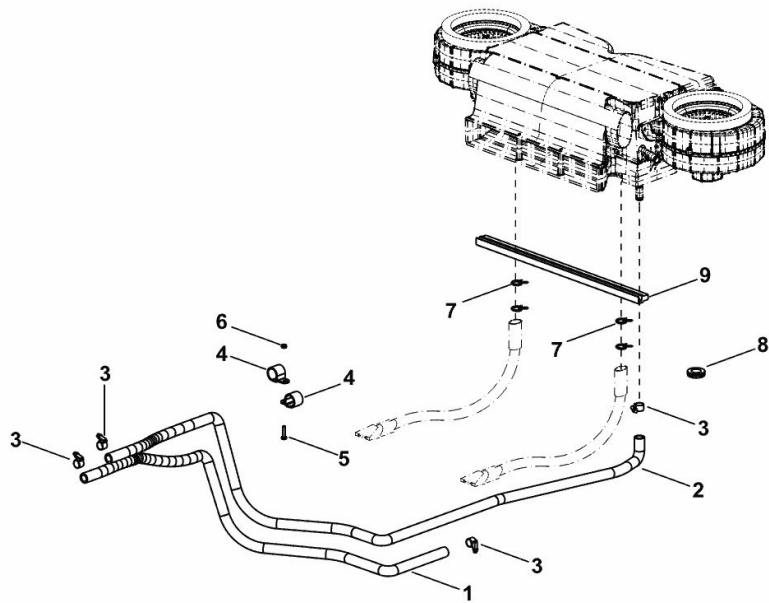
AIR CONDITIONING UNIT - LINES

Fig.	P/n	QTY	Name
------	-----	-----	------

Notes:

[Agrotron M 615] 10061 <-

1	0.017.6250.0/10	1	tube
2	0.017.6251.0	1	tube
3	2.6851.001.0	4	clamp Ø 16/25
4	01173053	2	clamp b 25x20
5	2.0114.009.2	1	screw m 6 x 25, d933
6	2.1011.103.2	1	nut m 6 p.1
7	04429943	4	clamp
8	2.6560.016.0	1	wire guide
9	04419141	0.5	gasket



K9_S9286_21_0-A-001

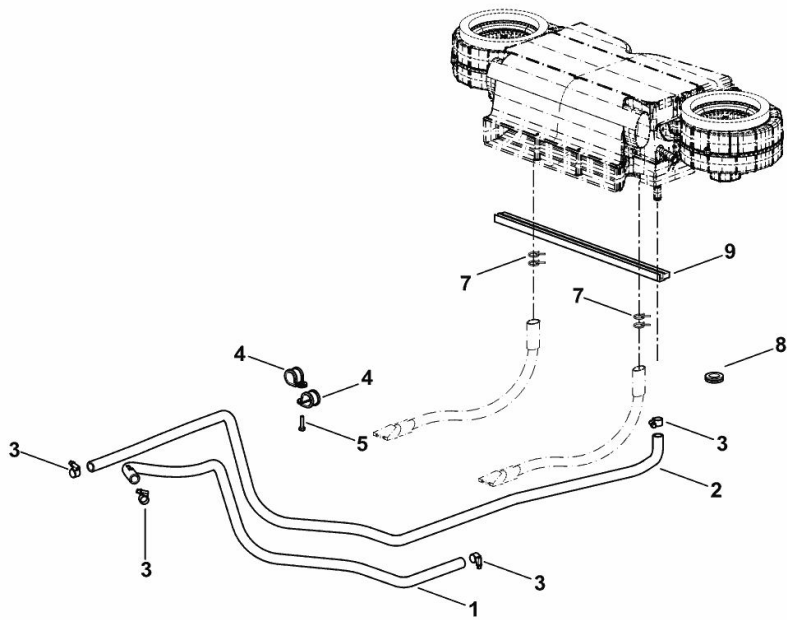
AIR CONDITIONING UNIT - LINES

Fig.	P/n	QTY	Name
------	-----	-----	------

Notes:

[Agrotron M 615] -> 10062 - 10181 <-

1	0.017.6250.0/10	1	tube
2	0.017.6251.0	1	tube
3	2.6851.001.0	4	clamp Ø 16/25
4	2.6839.054.0	2	clamp Ø 20/25
5	2.0112.009.2	1	screw m 6 p.1 x 25
7	04429943	4	clamp
8	2.6560.016.0	1	wire guide
9	04419141	0.5	gasket



K9_S9286_21_0-A-002

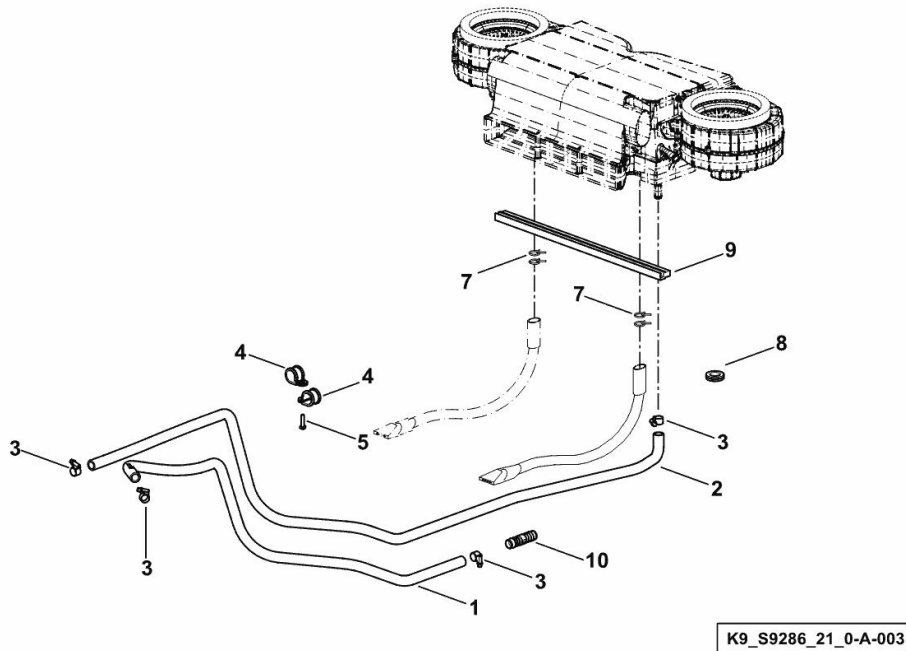
AIR CONDITIONING UNIT - LINES

Fig.	P/n	QTY	Name
------	-----	-----	------

Notes:

[Agrotron M 615]

1	0.017.6250.0/10	1	tube
2	0.017.6251.0	1	tube
3	2.6851.001.0	4	clamp Ø 16/25
4	2.6839.054.0	2	clamp Ø 20/25
5	2.0112.009.2	1	screw m 6 p.1 x 25
7	04429943	4	clamp
8	2.6560.016.0	1	wire guide
9	04419141	0.5	gasket
10	2.3249.661.0	1	pipe fitting



Section: G0 - BODYWORK - CAB
AIR CONDITIONING SYSTEM

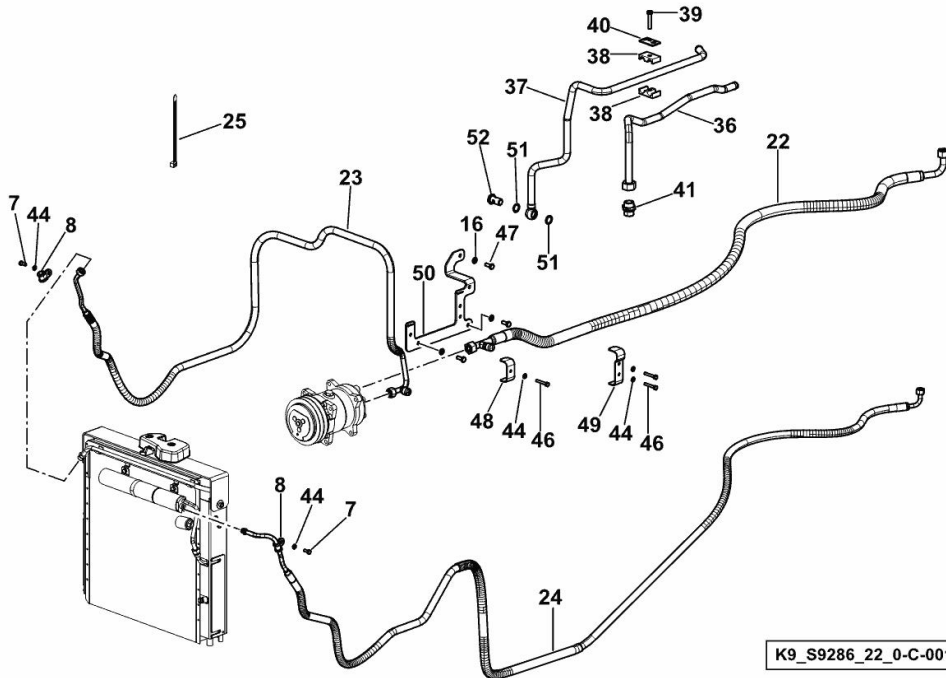


Fig.	P/n	QTY	Name
------	-----	-----	------

Notes:

[Agrotron M 615]

7	2.0112.005.2	4	screw m 6 p.1 x 16
8	2.6839.055.0	2	clamp Ø 11 / 20
16	2.1310.004.2	5	flat washer 8.4x17
22	0.017.6473.0	1	tube
23	0.015.7959.3/10	1	piping
24	0.015.8005.4/30	1	tube
25	2.6859.030.0	2	clamp
36	0.017.6566.3/10	1	tube
			- RETURN
37	0.017.6565.3/10	1	tube
			- DELIVERY
38	01178214	2	terminal
39	2.0112.217.2	1	screw m 8 p.1.25 x 45
40	01175670	1	small plate
41	04455063	1	pipe fitting
44	2.1310.002.2	7	flat washer 6.4x12.5
46	2.0112.015.2	3	screw m 6 p.1x40
47	2.0112.207.2	3	screw m 8 p 1.25 x 20
48	0.017.6474.0	1	bracket
49	0.017.6475.0	1	bracket
50	0.017.6431.3/10	1	support
51	2.1560.014.0	2	washer 18.2 x 24
52	2.3335.008.2	1	pipe union m 18 p.1.5 x 32

Section: G0 - BODYWORK - CAB
AIR CONDITIONING SYSTEM

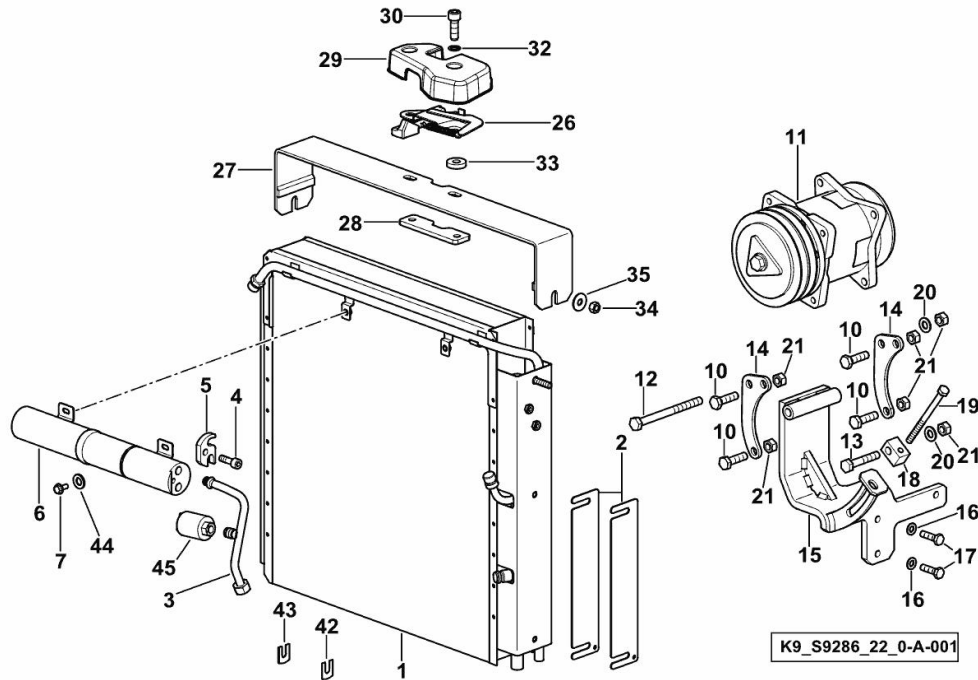


Fig.	P/n	QTY	Name
Notes:			
[Agrotron M 615] 10045 <-			
1	0.016.1816.4	1	condenser
2	04453248	4	spacer
3	0.016.9663.4	1	tube
4	2.0312.208.2	1	screw m 8 p.1.25 x 25
5	0.015.4226.0/20	1	spacer
6	0.015.4222.4/20	1	filter R 134a
7	2.0112.005.2	2	screw m 6 p.1 x 16
10	2.0112.313.2	4	screw m 10 p.1.5 x 35
11	04437339/10	1	compressor R 134a ☞ 04437339/10
12	2.0112.333.2	1	screw m 10 p.1.5x120
13	2.0112.320.2	1	screw m 10 p.1.5 x 55
14	04452437	2	support
15	0.016.0603.2/10	1	support
16	2.1310.004.2	5	flat washer 8.4x17
17	2.0112.209.2	2	screw m 8 p 1.25 x 25
18	04452840	1	tensioner
19	2.0114.229.2	1	screw m 8 p.1.25 x 110
20	2.1310.006.2	2	flat washer 10.5x21
21	2.1011.006.2	6	nut m 10 p.1.5
26	0.013.3609.4	1	lock
27	0.016.1208.2/10	1	bracket
28	0.016.1264.0	1	plate
29	0.016.1265.3/10	1	cover
30	2.0312.310.2	2	screw m 10 p.1.5 x 30
32	2.1480.015.2	2	washer 10
33	2.1549.647.2	2	spacer 10.1x26x6
34	2.1011.105.2	2	nut m 8 p.1.25
35	2.1312.004.2	2	washer 8x24x2
42	0.011.3980.0	5	shim mm 1.0
43	0.011.3981.0	5	shim mm 2.0
44	2.1310.002.2	7	flat washer 6.4x12.5
45	04426492/10	1	pressure switch

Section: G0 - BODYWORK - CAB
AIR CONDITIONING SYSTEM

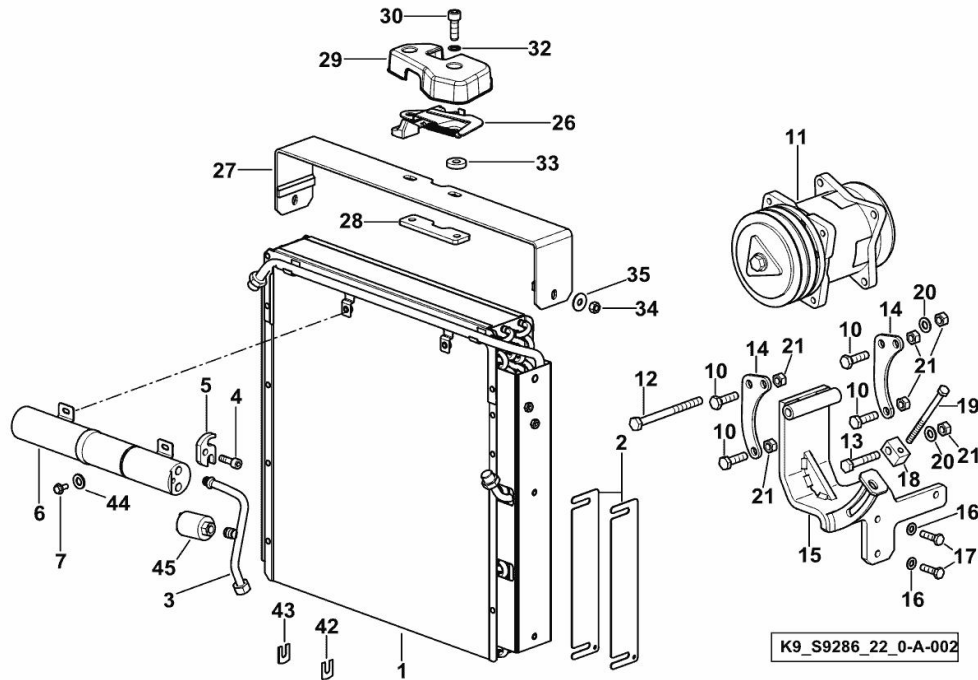


Fig.	P/n	QTY	Name
------	-----	-----	------

Notes:

[Agrotron M 615] -> 10047 - 10120 <-

1	0.016.1816.4/10	1	condenser
2	04453248	4	spacer
3	0.016.9663.4	1	tube
4	2.0312.208.2	1	screw m 8 p.1.25 x 25
5	0.015.4226.0/20	1	spacer
6	0.015.4222.4/20	1	filter R 134a
7	2.0112.005.2	4	screw m 6 p.1 x 16
10	2.0112.313.2	4	screw m 10 p.1.5 x 35
11	04437339/10	1	compressor R 134a ☞ 04437339/10
12	2.0112.333.2	1	screw m 10 p.1.5x120
13	2.0112.320.2	1	screw m 10 p.1.5 x 55
14	04452437	2	support
15	0.016.0603.2/10	1	support
16	2.1310.004.2	5	flat washer 8.4x17
17	2.0112.209.2	2	screw m 8 p 1.25 x 25
18	04452840	1	tensioner
19	2.0114.229.2	1	screw m 8 p.1.25 x 110
20	2.1310.006.2	2	flat washer 10.5x21
21	2.1011.006.2	6	nut m 10 p.1.5
26	0.013.3609.4	1	lock
27	0.016.1208.2/20	1	bracket
28	0.016.1264.0	1	plate
29	0.016.1265.3/10	1	cover
30	2.0312.310.2	2	screw m 10 p.1.5 x 30
32	2.1480.015.2	2	washer 10
33	2.1549.647.2	2	spacer 10.1x26x6
34	2.1011.105.2	2	nut m 8 p.1.25
35	2.1312.004.2	2	washer 8x24x2
42	0.011.3980.0	5	shim mm 1.0
43	0.011.3981.0	5	shim mm 2.0
44	2.1310.002.2	7	flat washer 6.4x12.5
45	04426492/10	1	pressure switch

Buy Now



Our support email:

ebooklibonline@outlook.com