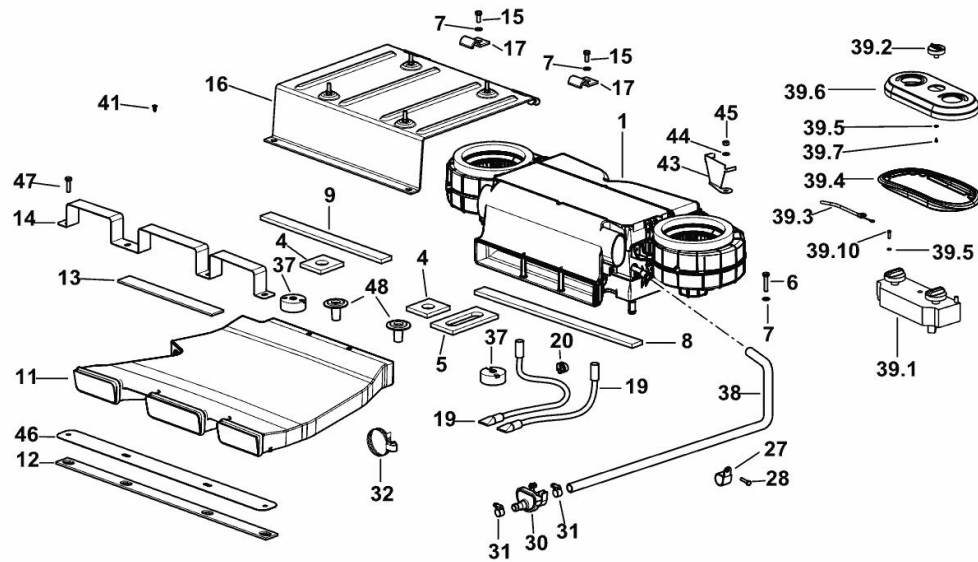


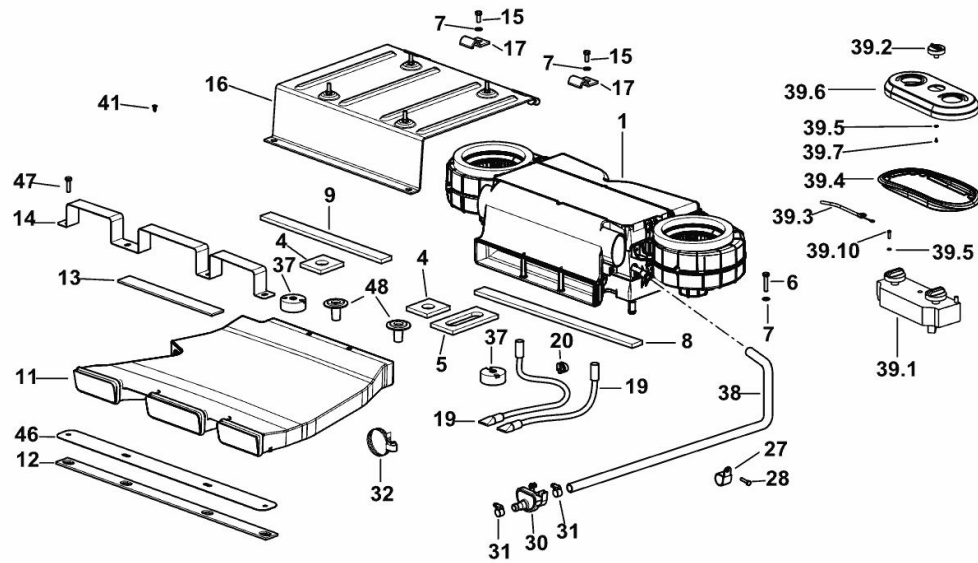
**CLIMATE CONTROL SYSTEM**



K9\_L0286\_20\_0-A-002

Fig.	P/n	QTY	Name
<b>Notes:</b>			
[Agrotron M 650 Profiline -> 20001] 20056 <-			
1	0.017.0364.4	1	air-conditioning sys. ☞ 0.017.0364.4
4	0.017.1000.0	2	gasket
5	0.017.0996.0	1	gasket
6	2.0114.215.2	1	screw m 8 p.1.25 x 40
7	2.1310.004.2	9	flat washer 8.4x17
8	0.017.1001.0	1	gasket
9	0.017.1003.0	1	gasket
11	0.010.8330.0/10	1	duct
12	0.017.1005.0	1	gasket
13	0.017.1004.0	1	gasket
14	0.010.8331.0/10	1	clamp
15	04426352	8	screw m 8 p.1.25 x 20
16	04429952.4/10	1	cover
17	0.010.6539.0/30	2	hinge
19	0.011.4589.3/10	2	flexible hose
20	2.6851.019.0	2	clamp Ø 13/20
27	2.6839.054.0	2	clamp Ø 20/25
28	2.0112.009.2	1	screw m 6 p.1 x 25
30	04429584	1	cock
31	2.6851.001.0	3	clamp Ø 16/25
32	04423216	1	clamp
37	0.014.8200.0	2	block
38	04429761	1	tube
39.1	04429902	1	dir. control valve slide ☞ 04429902
39.2	04429903	1	diaphragm
39.3	0.017.6481.3	1	rod
39.4	0.011.5346.0	1	gasket
39.5	01122121	5	washer 4,3x9x0,8
39.6	04429898	1	button
39.7	01132709	1	screw
39.10	04414546	4	screw
41	01172669	2	rivet 4.8x10.3
43	04453445	1	bracket
44	2.1470.004.2	1	lock washer 8
45	2.1011.105.2	1	nut m 8 p.1.25
46	04429732	1	plate
47	2.0114.211.2	4	screw m 8 x 30
48	0.013.0425.0	2	tube

**CLIMATE CONTROL SYSTEM**



K9\_L0286\_20\_0-A-003

Fig.	P/n	QTY	Name
<b>Notes:</b>			
[Agrotron M 650 Profiline -> 20001] -> 20057 - 20162 <-			
1	0.017.0364.4	1	air-conditioning sys. ☞ 0.017.0364.4
4	0.017.1000.0	2	gasket
5	0.017.0996.0	1	gasket
6	2.0114.215.2	1	screw m 8 p.1.25 x 40
7	2.1310.004.2	9	flat washer 8.4x17
8	0.017.1001.0	1	gasket
9	0.017.1003.0	1	gasket
11	0.010.8330.0/10	1	duct
12	0.017.1005.0	1	gasket
13	0.017.1004.0	3	gasket
14	0.010.8331.0/10	1	clamp
15	04426352	8	screw m 8 p.1.25 x 20
16	04429952.4/20	1	cover
17	0.010.6539.0/40	2	hinge
19	0.011.4589.3/10	2	flexible hose
20	2.6851.019.0	2	clamp Ø 13/20
27	2.6839.054.0	2	clamp Ø 20/25
28	2.0112.009.2	1	screw m 6 p.1 x 25
30	04429584	1	cock
31	2.6851.001.0	3	clamp Ø 16/25
32	04423216	1	clamp
37	0.014.8200.0	2	block
38	04429761	1	tube
39.1	04429902	1	dir. control valve slide ☞ 04429902
39.2	04429903	1	diaphragm
39.3	0.017.6481.3	1	rod
39.4	0.011.5346.0	1	gasket
39.5	01122121	5	washer 4,3x9x0,8
39.6	04429898	1	button
39.7	01132709	1	screw
39.10	04414546	4	screw
41	01172669	2	rivet 4.8x10.3
46	04429732	1	plate
47	2.0114.211.2	4	screw m 8 x 30
48	0.013.0425.0	2	tube

**CLIMATE CONTROL SYSTEM**

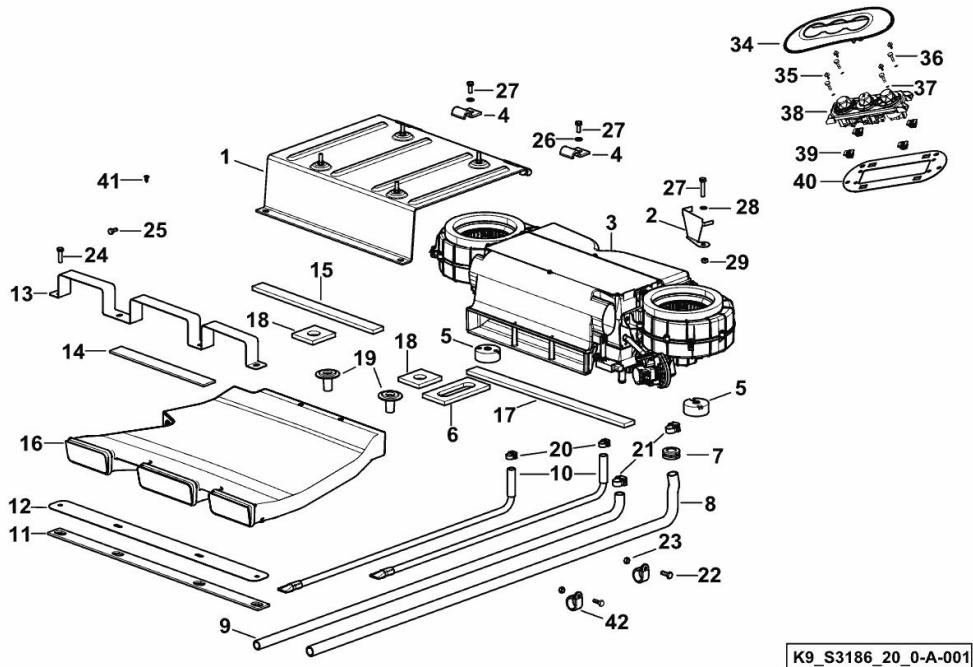


Fig.	P/n	QTY	Name
1	04429952.4/10	1	cover
2	04453445	1	bracket
3	0.018.5821.4	1	heating unit
			☞ 0.018.5821.4
			☞ 0.018.5821.4
4	0.010.6539.0/30	2	hinge
5	0.014.8200.0	2	block
6	0.017.0996.0	1	gasket
7	2.6569.047.0	1	rubber plug
8	0.018.5872.0	1	tube
9	0.018.5870.0	1	tube
10	0.011.4589.3/10	2	flexible hose
11	0.017.1005.0	1	gasket
12	04429732	1	plate
13	0.010.8331.0/10	1	clamp
14	0.017.1004.0	1	gasket
15	0.017.1003.0	1	gasket
16	0.010.8330.0/10	1	duct
17	0.017.1001.0	1	gasket
18	0.017.1000.0	2	gasket
19	0.013.0425.0	2	tube
20	2.6851.019.0	2	clamp Ø 13/20
21	2.6851.001.0	2	clamp Ø 16/25
22	2.0114.009.2	2	screw m 6 x 25, d933
23	2.1011.103.2	2	nut m 6 p.1
24	2.0114.211.2	4	screw m 8 x 30
25	04426352	8	screw m 8 p.1.25 x 20
26	2.1310.004.2	9	flat washer 8.4x17
27	2.0114.215.2	1	screw m 8 p.1.25 x 40
28	2.1470.004.2	1	lock washer 8
29	2.1011.105.2	1	nut m 8 p.1.25
34	0.018.5875.2	1	front grille
35	0.018.5877.0	4	pin M 4 x 11.5
36	2.0330.406.2	4	screw m 6 p.1.0 x 16
37	2.1310.002.2	4	flat washer 6.4x12.5
38	0.018.5874.4	1	control
39	0.018.5878.4	4	clip
40	0.018.5876.2	1	small plate
41	01172669	2	rivet 4.8x10.3
42	01173053	2	clamp b 25x20

**CLIMATE CONTROL SYSTEM**

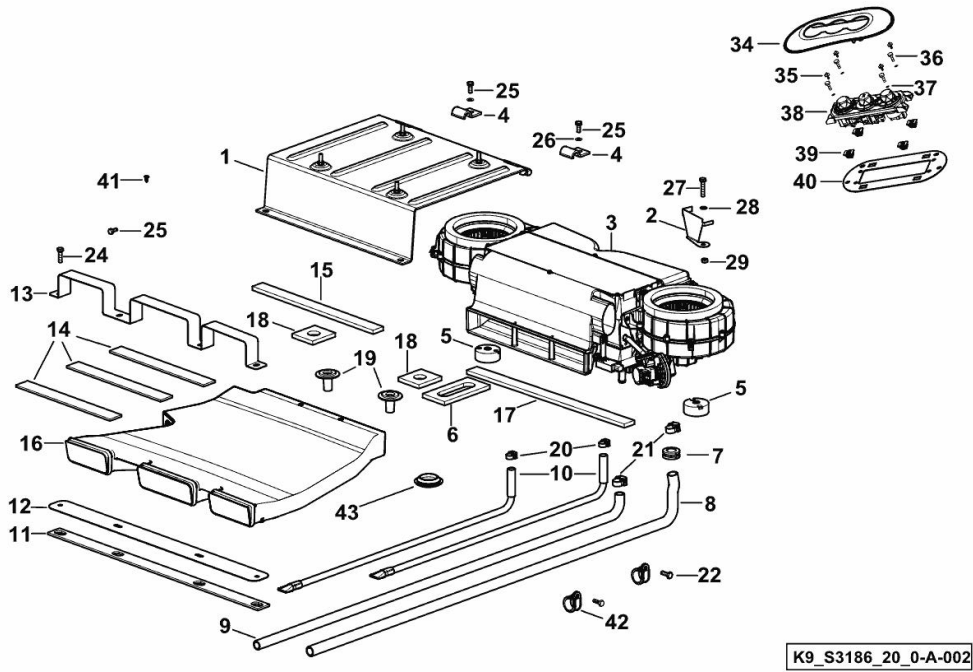


Fig.	P/n	QTY	Name
1	04429952.4/10	1	cover
2	04453445	1	bracket
3	0.018.5821.4	1	heating unit ☞ 0.018.5821.4 ☞ 0.018.5821.4
4	0.010.6539.0/30	2	hinge
5	0.014.8200.0	2	block
6	0.017.0996.0	1	gasket
7	2.6569.047.0	1	rubber plug
8	0.018.5872.0/10	1	tube
9	0.018.5870.0/10	1	tube
10	0.011.4589.3/10	2	flexible hose
11	0.017.1005.0	1	gasket
12	04429732	1	plate
13	0.010.8331.0/10	1	clamp
14	0.017.1004.0	3	gasket
15	0.017.1003.0	1	gasket
16	0.010.8330.0/10	1	duct
17	0.017.1001.0	1	gasket
18	0.017.1000.0	2	gasket
19	0.013.0425.0	2	tube
20	2.6851.019.0	2	clamp Ø 13/20
21	2.6851.001.0	2	clamp Ø 16/25
22	2.0112.009.2	4	screw m 6 p.1 x 25
24	2.0114.211.2	4	screw m 8 x 30
25	04426352	8	screw m 8 p.1.25 x 20
26	2.1310.004.2	9	flat washer 8.4x17
27	2.0114.215.2	1	screw m 8 p.1.25 x 40
28	2.1470.004.2	1	lock washer 8
29	2.1011.105.2	1	nut m 8 p.1.25
34	0.018.5875.2	1	front grille
35	0.018.5877.0	4	pin M 4 x 11.5
36	2.0330.406.2	4	screw m 6 p.1.0 x 16
37	2.1310.002.2	4	flat washer 6.4x12.5
38	0.018.5874.4	1	control
39	0.018.5878.4	4	clip
40	0.018.5876.2	1	small plate
41	01172669	2	rivet 4.8x10.3
42	2.6839.054.0	4	clamp Ø 20/25
43	2.6070.004.0	1	plug 25

**CLIMATE CONTROL SYSTEM**

K9\_S3186\_20\_0-A-003

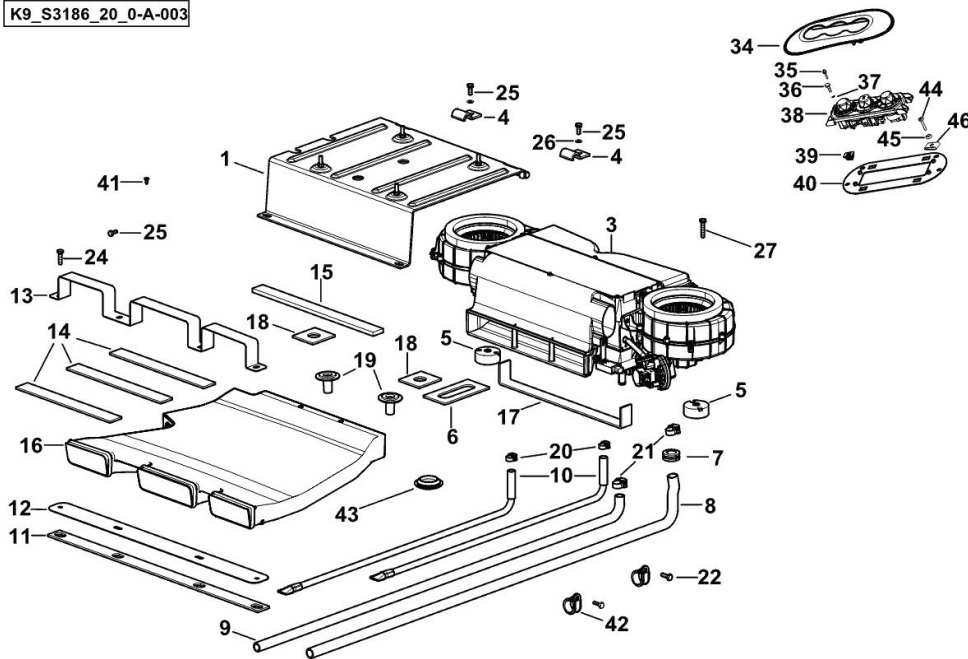


Fig.	P/n	QTY	Name
------	-----	-----	------

**Notes:**

[Agrotron M 650 Profiline -> 20001] -> 20155

1	04429952.4/30	1	cover
3	0.018.5821.4/10	1	heating unit ☞ 0.018.5821.4/10
4	0.010.6539.0/40	2	hinge
5	0.014.8200.0	2	block
6	0.017.0996.0/10	1	gasket
7	2.6569.047.0	1	rubber plug
8	0.018.5872.0/10	1	tube
9	0.018.5870.0/20	1	tube
10	0.011.4589.3/10	2	flexible hose
11	0.017.1005.0	1	gasket
12	04429732	1	plate
13	0.010.8331.0/10	1	clamp
14	0.017.1004.0	3	gasket
15	0.017.1003.0	1	gasket
16	0.010.8330.0/10	1	duct
17	0.017.1001.0/10	1	gasket
18	0.017.1000.0/10	2	gasket
19	0.013.0425.0	2	tube
20	2.6851.019.0	2	clamp Ø 13/20
21	2.6851.001.0	4	clamp Ø 16/25
22	2.0112.009.2	4	screw m 6 p.1 x 25
24	2.0114.211.2	4	screw m 8 x 30
25	04426352	8	screw m 8 p.1.25 x 20
26	2.1310.004.2	9	flat washer 8.4x17
27	2.0114.215.2	1	screw m 8 p.1.25 x 40
34	0.018.5875.2	1	front grille
35	0.018.5877.0	4	pin M 4 x 11.5 ( 20236 <- )
35	0.020.6895.0	4	pin M 4 x 19
36	2.0330.406.2	4	screw m 6 p.1.0 x 16
37	2.1310.002.2	4	flat washer 6.4x12.5
38	0.018.5874.4	1	control
39	0.018.5878.4	4	clip
40	0.018.5876.2/10	1	support ( 20236 <- )
40	0.018.5876.2/20	1	support
41	01172669	2	rivet 4.8x10.3
42	2.6839.054.0	4	clamp Ø 20/25
43	2.6070.004.0	1	plug 25
44	04416919	4	screw m 4.8x32
45	2.1599.573.0	4	washer 5.4
46	2.6999.047.0	4	clip

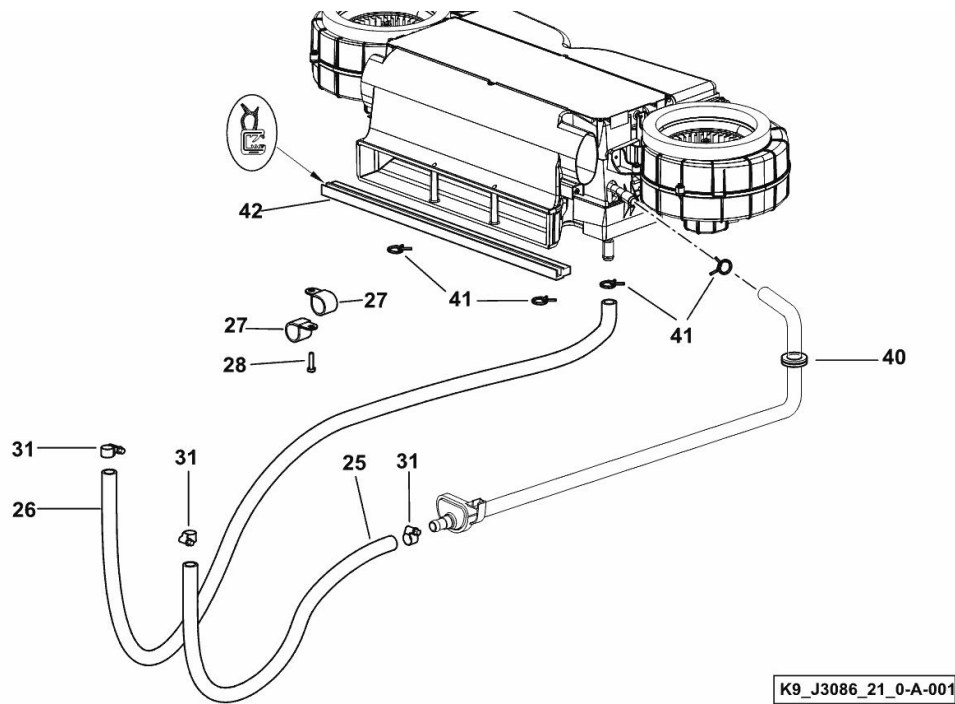
**AIR CONDITIONING UNIT - LINES**

Fig.	P/n	QTY	Name
------	-----	-----	------

**Notes:**

[Agrotron M 650 Profiline -> 20001] 20236 <-

25	0.016.9644.0	1	tube
26	04429145/10	1	tube
27	2.6839.054.0	2	clamp Ø 20/25
28	2.0112.009.2	1	screw m 6 p.1 x 25
31	2.6851.001.0	3	clamp Ø 16/25
40	2.6560.016.0	1	wire guide
41	04429943	4	clamp
42	04419141	1	gasket



**AIR CONDITIONER PARTS**

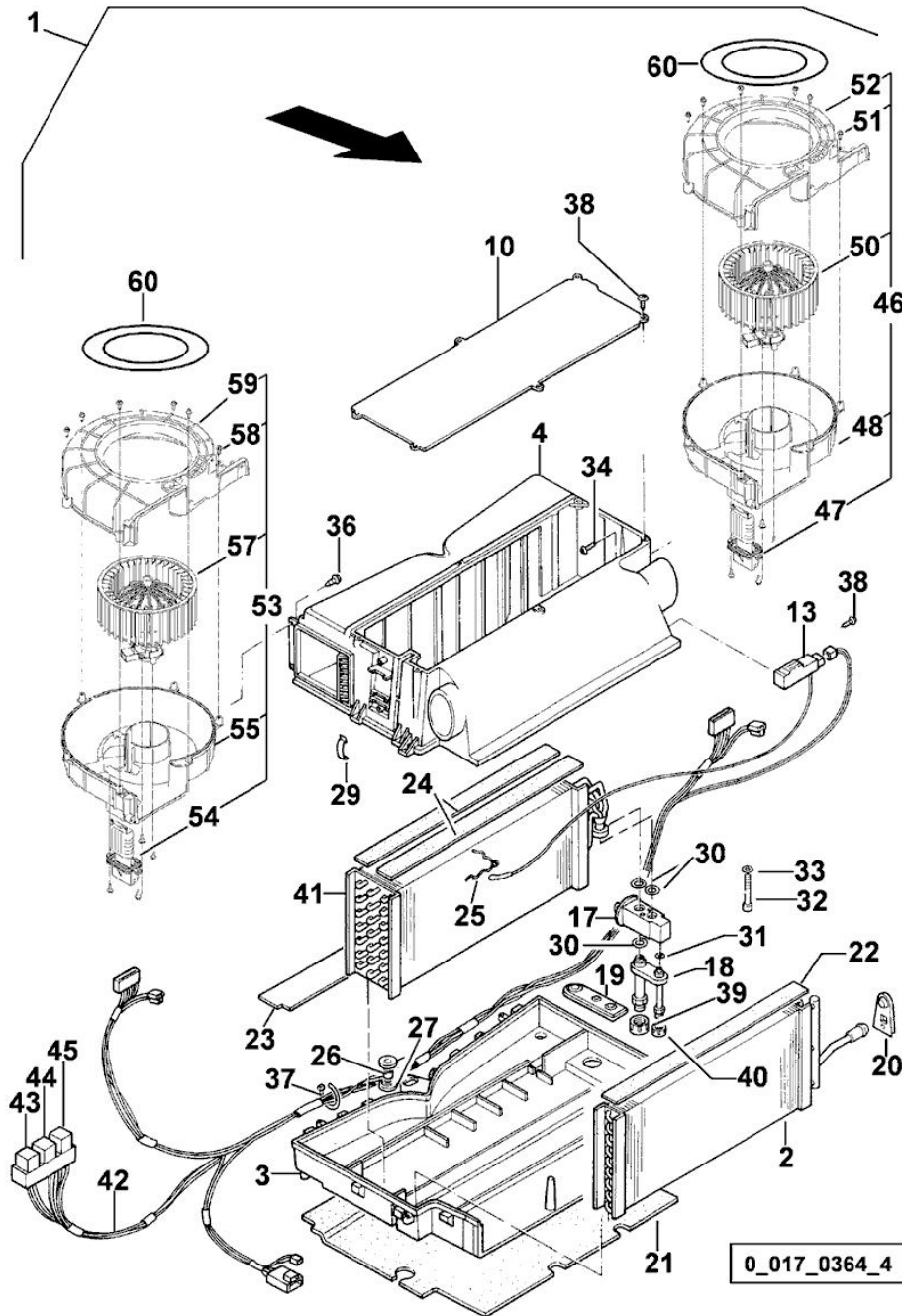


Fig.	P/n	QTY	Name
1	0.017.0364.4	1	air-conditioning sys.
2	0.900.0784.0	1	radiator
3	0.010.2534.1	1	box
4	0.010.2534.2	1	box
10	0.010.2536.2	1	cover
13	0.900.0793.4	1	thermostat
17	0.010.2091.0	1	valve R 134
18	0.010.2538.2	1	pipe fitting
19	0.010.2539.0	1	gasket
20	0.010.2539.1	1	gasket
21	0.010.2539.2	1	gasket
22	0.010.2540.0	1	gasket
23	0.010.2540.1	1	division
24	0.010.2540.0	2	gasket
25	0.010.2540.2	1	clip
26	0.98538.71.1	1	spacer
27	0.010.2541.0	2	rubber plug
29	0.010.2541.2	11	clip
30	0.010.2128.1	3	gasket
31	0.010.2542.0	1	special oil seal
32	0.010.2542.1	2	screw m 6 x 50
33	0.010.2542.2	2	washer 6, d128
34	0.010.2543.0	2	screw m 3.5x16
36	0.010.2543.2	14	screw m 3.5x12
37	0.010.2544.0	3	clamp
38	0.010.2543.2	5	screw m 3.5x12
39	0.010.2544.1	1	plug
40	0.010.2544.2	1	plug
41	0.900.0783.9	1	radiator
42	0.900.1421.0	1	electric cable
43	0.010.3317.2	1	relay 15A NA BROWN
44	0.010.3318.0	1	relay 20A NA WHITE
45	0.900.0049.4	1	relay 20A NA BLACK
46	0.900.0781.8	1	fan dx/rh/re
47	0.010.2535.1	1	resistance
48	0.900.2350.4	1	screw conveyor
50	0.900.0035.3	1	fan dx/rh/re WHITE
51	0.900.0782.2	10	screw 4 x 12
52	0.900.0782.0	1	screw conveyor
53	0.900.0782.3	1	fan sx/lh/li

**Buy Now**



Our support email:

[ebooklibonline@outlook.com](mailto:ebooklibonline@outlook.com)