

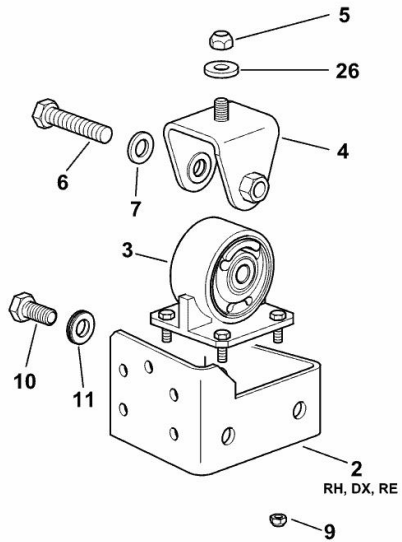
CAB BEARING PNEUMATIC SPRINGING

Fig.	P/n	QTY	Name
------	-----	-----	------

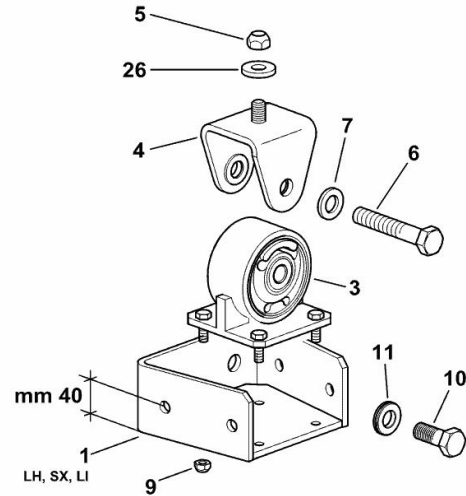
Notes:

- FOR TYPES WITH PNEUMATIC BRAKE [AGROTRON TTV 610] -> 10473

1	0.015.6496.3/10	1	support sx/lh/li
2	0.015.6497.3/10	1	support dx/rh/re
3	0.013.4925.4/30	2	silent-block
4	0.018.5218.3	2	fork
5	2.1121.011.2	6	nut m 16
6	2.0113.833.2	2	screw m 20x120
7	2.1475.108.2	2	spring washer 20
9	2.1121.007.2	8	nut m 10 p.1.5
10	2.0113.819.2	4	screw m 20 p.2.5x50
11	01167055	4	washer 20.5x40
26	01139580	2	washer 17



RH, DX, RE



mm 40

LH, SX, LI

K9_J4276_01_0-A-003

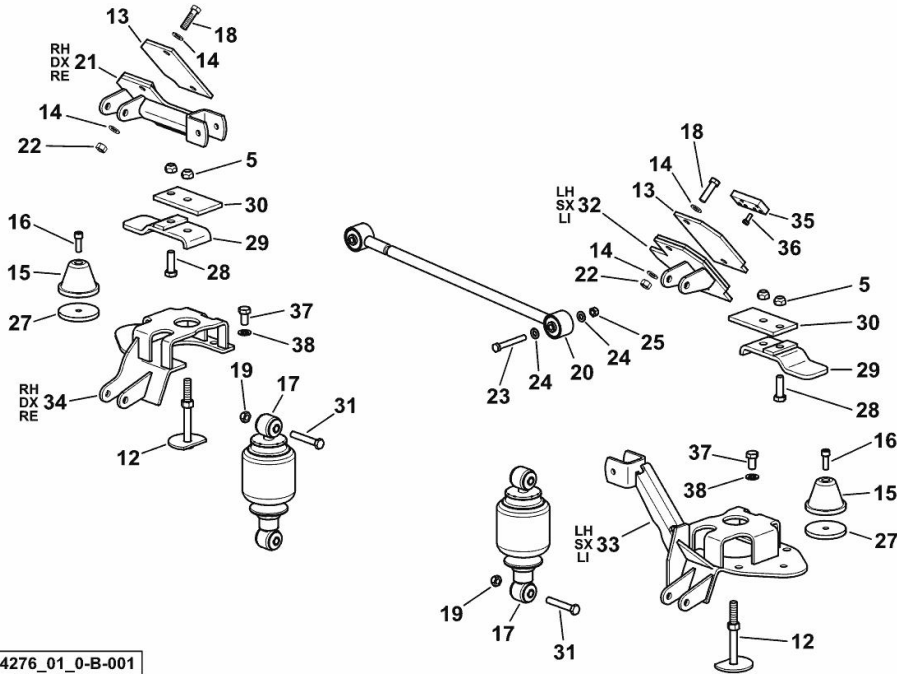
CAB BEARING PNEUMATIC SPRINGING

Fig.	P/n	QTY	Name
------	-----	-----	------

Notes:

- FOR TYPES WITH PNEUMATIC BRAKE [AGROTRON TTV 610]

5	2.1121.011.2	6	nut m 16
12	0.012.4519.4/10	2	rod m 16
13	0.015.6462.0	2	plate
14	2.1310.009.2	8	flat washer 15x20
15	0.011.3290.2/10	2	stopper
16	2.0312.412.2	2	screw m 12 p.1.75x35
17	0.015.1240.4	2	shock absorber Ø 125, 10 bar
18	2.0112.519.2	4	screw m 14 p.2x50
19	2.1121.010.2	4	nut m 14 p.2
20	0.011.9412.4/20	1	rod
21	0.015.6472.4	1	support dx/rh/re
22	2.1011.108.2	4	nut m 14 p.2
23	2.0112.427.2	2	screw m 12 p.1.75 x 90
24	2.1310.007.2	4	flat washer 13 x 24
25	2.1121.008.2	2	nut m 12
27	0.012.3165.0	2	washer Ø 95 / 12.5
28	2.0113.619.2	2	screw m 16 p.2x50
29	0.015.6458.2	2	plate
30	0.012.3229.0	2	plate
31	2.0112.526.2	4	screw m 14 p.2x85
32	0.015.6466.4	1	support sx/lh/li
33	0.015.6482.4/10	1	bracket sx/lh/li
34	0.015.6487.4/10	1	bracket dx/rh/re
35	04426734	1	small block
36	2.0114.207.2	2	screw m 8 p.1.25 x 20
37	2.0112.611.2	8	screw m 16 p.2x30
38	2.1310.010.2	8	flat washer 17x30



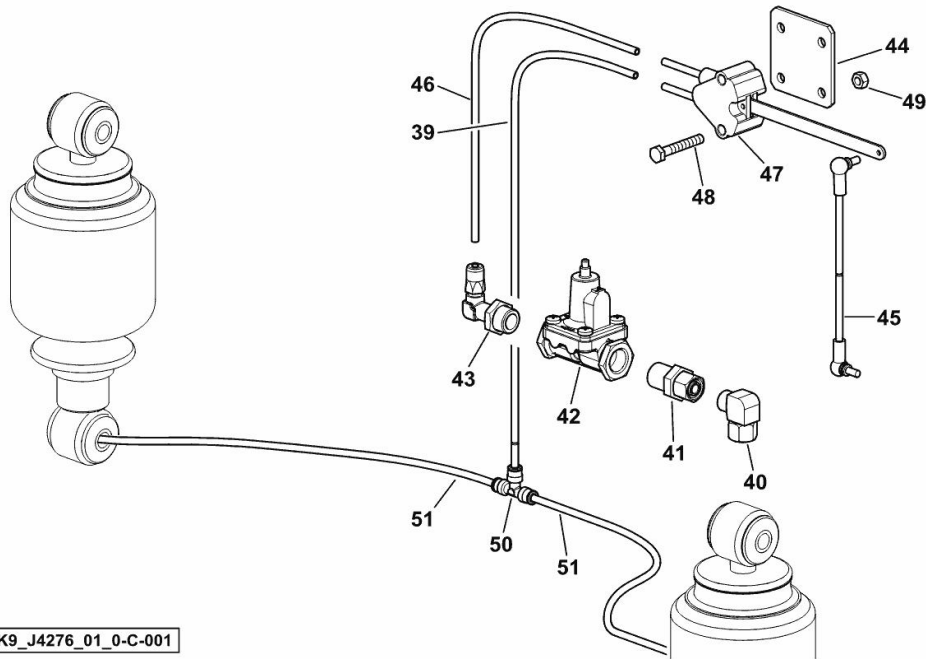
CAB BEARING PNEUMATIC SPRINGING

Fig.	P/n	QTY	Name
------	-----	-----	------

Notes:

- FOR TYPES WITH PNEUMATIC BRAKE [AGROTRON TTV 610] 10632 <-

39	04432843	1	flexible hose L = mm 735
40	01144832	1	pipe fitting
41	04426733	1	vent
42	04432192	1	valve ☞ 04432192
43	04432095	1	pipe fitting L
44	0.011.9949.0	1	plate
45	0.011.9950.4/20	1	rod
46	04437674	1	tube L = mm 1700
47	04432191	1	valve ☞ 04432191
48	2.0114.217.2	2	screw m 8 p.1.25 x 50
49	2.1011.105.2	2	nut m 8 p.1.25
50	04428448	1	pipe fitting T
51	04432098	2	tube L = mm 800



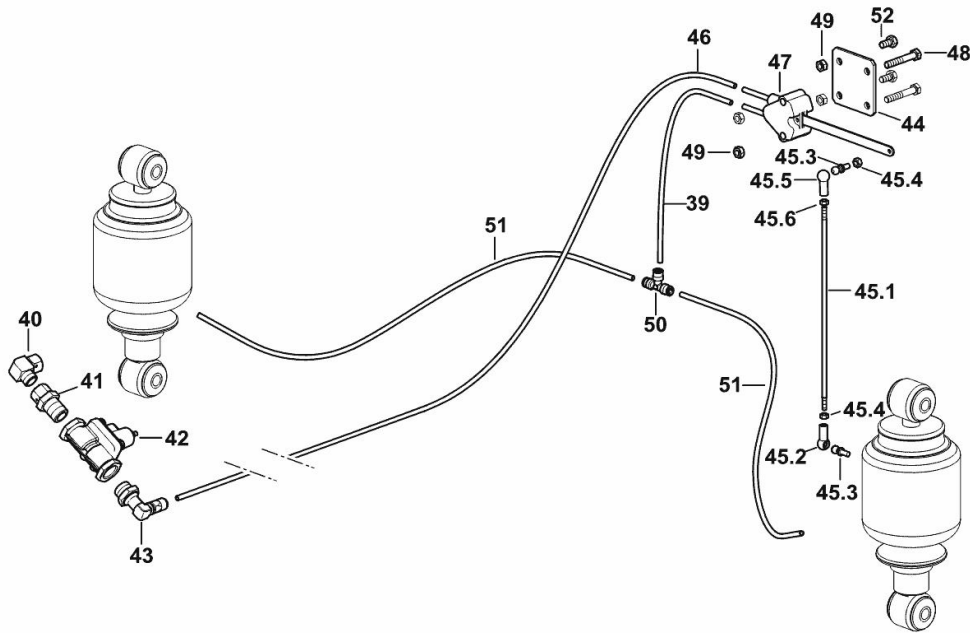
K9_J4276_01_0-C-001

CAB BEARING PNEUMATIC SPRINGING

Fig.	P/n	QTY	Name
------	-----	-----	------

Notes:

- FOR TYPES WITH PNEUMATIC BRAKE [AGROTRON TTV 610] -> 10622



K9_J4276_01_0-C-002

39	04438415/10	1	tube mm 300
40	01144832	1	pipe fitting
41	04426733	1	vent
42	04432192	1	valve
			☞ 04432192
43	04432095	1	pipe fitting L
44	0.011.9949.0	1	plate
45.1	0.011.9950.0/20	1	rod
45.2	01144099	1	joint dx/rh/re
45.3	01137247	2	joint sx/lh/li
45.4	2.1012.103.7	2	nut m 6 p.1
45.5	01137247	1	joint sx/lh/li
45.6	01112819	1	nut m 6 sx/lh/li
46	04437674	1	tube L = mm 1700
47	04432191	1	valve
			☞ 04432191
48	2.0112.219.2	2	screw m 8 p.1.25x55
49	2.1011.105.2	4	nut m 8 p.1.25
50	04428448	1	pipe fitting T
51	04432098	2	tube L = mm 800
52	2.0112.205.2	2	screw m 8 p.1.25 x 16

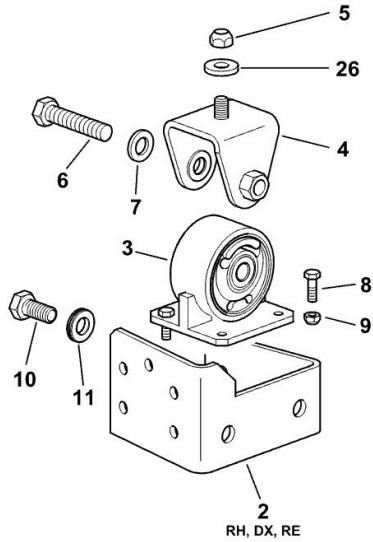
CAB BEARING PNEUMATIC SPRINGING

Fig.	P/n	QTY	Name
------	-----	-----	------

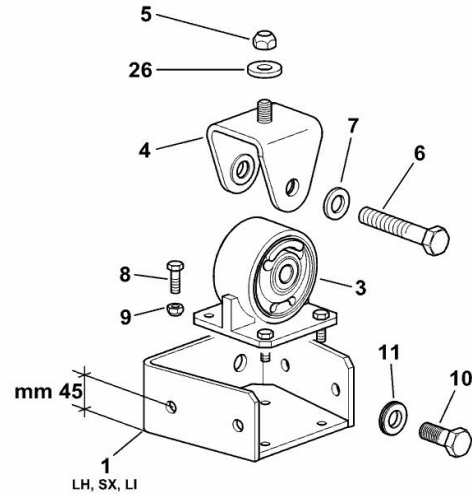
Notes:

- FOR TYPES WITHOUT PNEUMATIC BRAKE [AGROTRON TTV 610] 10044 <-

1	0.015.6496.3	1	console
2	0.015.6497.3	1	console
3	0.013.4925.4/10	2	silent-block
4	0.013.4926.3/10	2	fork
5	2.1121.011.2	6	nut m 16
6	2.0113.832.2	2	screw m 16 x 45
7	2.1475.108.2	2	spring washer 20
8	2.0112.311.2	4	screw m 10 p.1.5 x 30
9	2.1121.007.2	8	nut m 10 p.1.5
10	2.0113.819.2	4	screw m 20 p.2.5x50
11	01167055	4	washer 20.5x40
26	01139580	2	washer 17



RH, DX, RE



mm 45

LH, SX, LI

K9_J4276_03_0-A-001

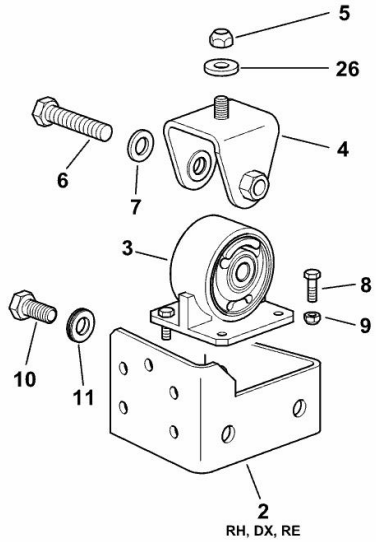
CAB BEARING PNEUMATIC SPRINGING

Fig.	P/n	QTY	Name
------	-----	-----	------

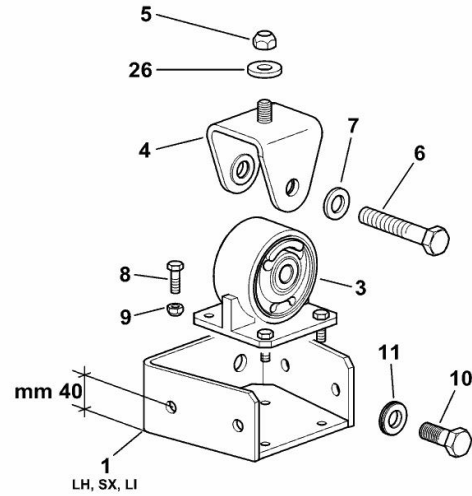
Notes:

- FOR TYPES WITHOUT PNEUMATIC BRAKE [AGROTRON TTV 610] -> 10049 - 10472 <-

1	0.015.6496.3/10	1	support sx/lh/li
2	0.015.6497.3/10	1	support dx/rh/re
3	0.013.4925.4/10	2	silent-block
4	0.013.4926.3/10	2	fork
5	2.1121.011.2	6	nut m 16
6	2.0113.832.2	2	screw m 16 x 45
7	2.1475.108.2	2	spring washer 20
8	2.0112.311.2	4	screw m 10 p.1.5 x 30
9	2.1121.007.2	8	nut m 10 p.1.5
10	2.0113.819.2	4	screw m 20 p.2.5x50
11	01167055	4	washer 20.5x40
26	01139580	2	washer 17



RH, DX, RE



mm 40

LH, SX, LI

K9_J4276_03_0-A-002

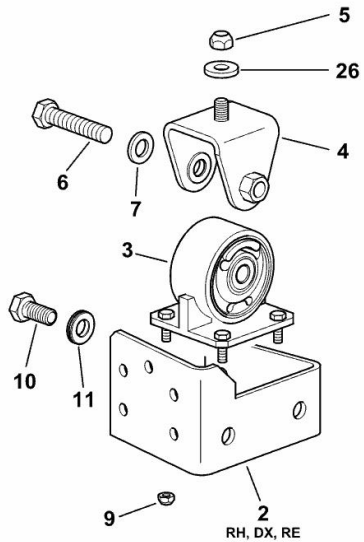
CAB BEARING PNEUMATIC SPRINGING

Fig.	P/n	QTY	Name
------	-----	-----	------

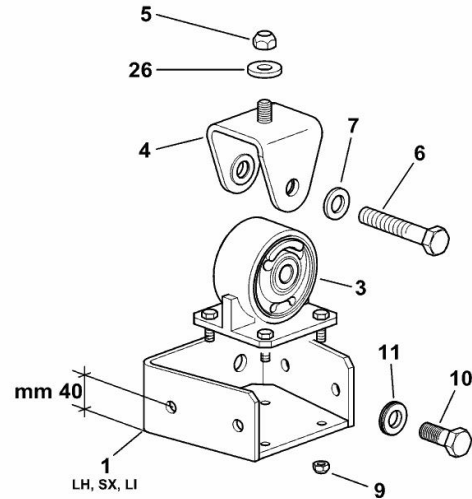
Notes:

- FOR TYPES WITHOUT PNEUMATIC BRAKE [AGROTRON TTV 610] -> 10476

1	0.015.6496.3/10	1	support sx/lh/li
2	0.015.6497.3/10	1	support dx/rh/re
3	0.013.4925.4/30	2	silent-block
4	0.018.5218.3	2	fork
5	2.1121.011.2	6	nut m 16
6	2.0113.833.2	2	screw m 20x120
7	2.1475.108.2	2	spring washer 20
9	2.1121.007.2	8	nut m 10 p.1.5
10	2.0113.819.2	4	screw m 20 p.2.5x50
11	01167055	4	washer 20.5x40
26	01139580	2	washer 17



RH, DX, RE



LH, SX, LI

K9_J4276_03_0-A-003

Buy Now



Our support email:

ebooklibonline@outlook.com